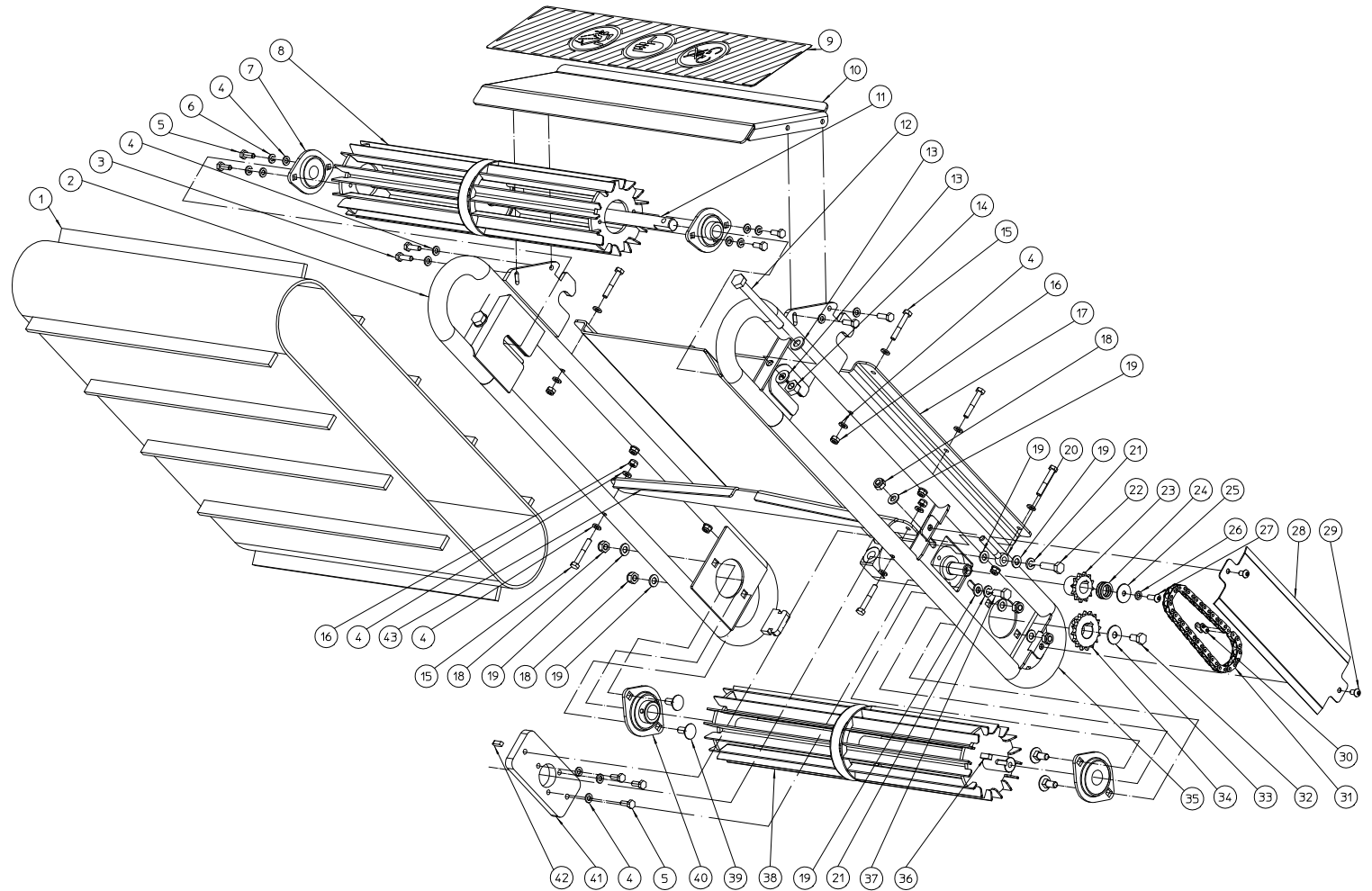


NOMENC: MMA-01.280.140

Pos	Qté	Nom	Description	Matériau
1	1	BY-431149.137	BANDE EVACUATION ARRIERE ULTRA-PROF	
2	1	MPA-01.280.440	COTE DROIT BANDE ARRIERE	
3	4	BS-512.000.620	DIN 933 VIS M6X20	
4	31	BS-531.000.600	DIN 125 RONDELLE M6	
5	7	BS-512.000.616	DIN 933 VIS M6X16	
6	4	BS-533.000.600	DIN 127 RONDELLE GROER M6	
7	2	BL-801101700	PALIER COMPLET ASPFL 203	
8	1	MPA-01.280.320	ROULEAU TENDEUR BANDE ARRIERE	
9	1	BQ-505.010.350	AUTOCOLLANT-PROTECTION-ARRIERE	
10	1	MPA-01.280.810	DEFLECTEUR ARRIERE	
11	1	MPA-01.280.330	AXE DE ROULEAU TENDEUR	
12	2	BS-512.001.050	DIN 933 VIS M10X100	
13	4	BS-531.001.000	DIN 125 RONDELLE M10	
14	2	BS-501.001.000	DIN 934 ECRU M10	
15	8	BS-511.000.640	DIN 931 VIS M6X40	
16	12	BS-502.000.600	DIN 985 ECRU NYLON M6	
17	1	MPA-01.280.580	TOLE DE BANDE	
18	5	BS-502.000.800	DIN 985 ECRU NYLON M8	
19	8	BS-531.000.800	DIN 125 RONDELLE M8	
20	1	BS-551.000.842	DIN 444 CORPS DE BOULON A OEIL M8X50	
21	2	BS-533.000.800	DIN 127 RONDELLE GROER M8	
22	1	BS-512.000.830	DIN 933 VIS M8X30	
23	1	BA-161012.161	PIGNON SIMPLEX 3/8X7/32 12 DENTS ALÉS.16 LARG.25	
24	3	BS-036.001.610	RONDELLE D'AJUSTAGE 22X16X1	
25	1	BS-532.006.253	RONDELLE DE CARROSSERIE M6X25X15	
26	1	BS-534.000.600	DIN 6798 RONDELLE ELASTIQUE M6	
27	1	BS-522.500.616	ISO 7380 VIS A TETE CYLINDRIQUE BOMBEE M6X16	
28	1	MPA-01.280.590	PROTECTION CHAINE	
29	2	BS-522.500.610	ISO 7380 VIS A TETE CYLINDRIQUE BOMBEE M6X10	
30	1	BA-151200.000	RACCORD CHAINE 3/8X7/32	
31	1	BA-101039.020	CHAINE SIMPLEX OUVERTE 3/8X7/32 39 MAILLES	
32	1	BS-512.000.816	DIN 933 VIS M8X16	
33	1	BS-532.008.253	RONDELLE DE CARROSSERIE M8X25X15	
34	1	BA-161016.201	PIGNON SIMPLEX 3/8X7/32 16 DENTS ALÉS.20 LARG.16	
35	1	MPA-01.280.450	COTE GAUCHE BANDE ARRIERE	
36	1	BB-341060.615	DIN 6880 CLAVETTE 6X6X15	
37	1	BS-512.000.820	DIN 933 VIS M8X20	
38	1	MPA-01.280.310	ROULEAU TRACTION BANDE ARRIERE	
39	4	BS-554.100.820	DIN 603 VIS A BOIS M8X20	
40	2	BL-801102.001	PALIER COMPLET ASPFL 204	
41	1	MPA-01.280.570	SUPPORT MOTEUR BANDE	
42	1	BB-341050.516	SPIE 5X5X16 DIN 6880	
43	1	MPA-01.280.550	GRATTOIR	



BANDE ARRIERE				
NO	MMA-01.280.140	REV	2	DATE 2008/05/20