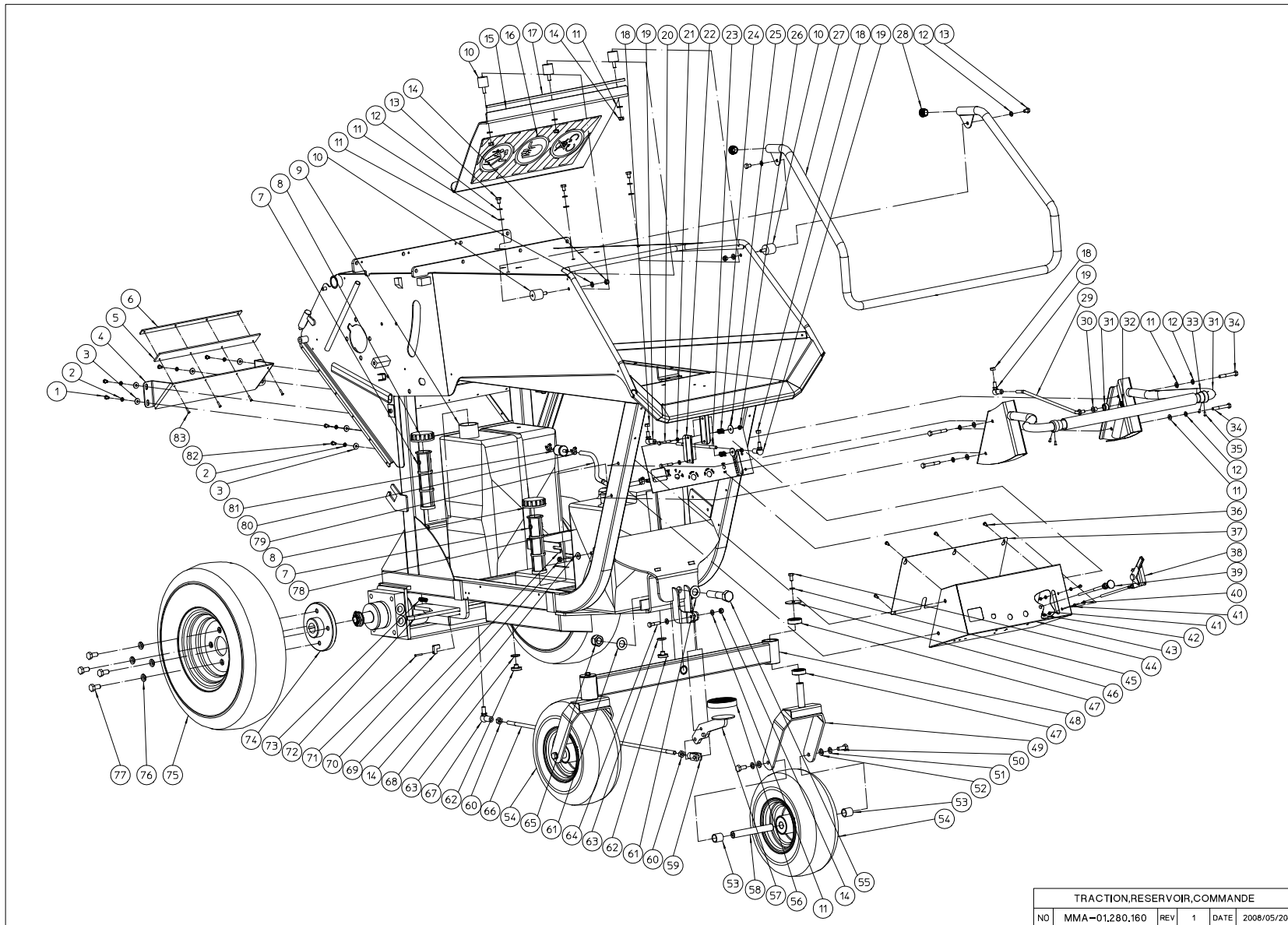


NOMENC: MMA-01.280.160

Pos	Qté	Nom	Description	Matériau
1	4	BS-512.000.610	DIN 933 VIS M6X10	
2	6	BS-534.000.600	DIN 6798 RONDELLE ELASTIQUE M6	
3	6	BS-532.006.183	RONDELLE DE CARROSSERIE M6X18X15	
4	1	MPA-01.280.670	GOULOTTE	
5	1	BR-900.001.350	BAVETTE CAOUTCHOUC BANDE AMENEUR	
6	1	MPA-01.280.680	LATTE SUPPORT CAOUTCHOUC	
7	2	BY-100.700.000	FILTRE RESERVOIR	
8	2	BH-720.503.040	STOP BRANDSTOFF ANK	
9	1	BY-717.203.030	RESERVOIR HUILE 30L	
10	5	BR-600.130.301	GMT 30X308 M8X20 70 SHORE	
11	18	BS-531.000.800	DIN 125 RONDELLE M8	
12	9	BS-534.000.800	DIN 6798 RONDELLE ELASTIQUE M8	
13	5	BS-512.000.812	DIN 933 VIS M8X12	
14	8	BS-502.000.800	DIN 985 ECREU NYLON M8	
15	1	MPA-01.280.540	TOLE PROTECTION INTERIEUR	
16	1	BQ-505.010.100	AUT.SECURITE SUR PROTECTION INT. 460X200	
17	1	BR-000.910.530	JOINT	
18	3	BS-501.000.800	DIN 934 ECREU M8	
19	3	BA-230.010.800	ROTULE M8	
20	2	BS-511.000.640	DIN 931 VIS M6X40	
21	2	BS-531.000.600	DIN 125 RONDELLE M6	
22	1	MPA-01.280.760	FREN COMMANDE AMENEUR	
23	1	MPA-01.280.750	TRINGLE AMENEUR	
24	2	BV-911.000.010	RESSORT DE PRESSION DIA 14 X 2 X 16	
25	2	BS-532.006.253	RONDELLE DE CARROSSERIE M6X25X15	
26	2	BS-502.000.600	DIN 985 ECREU NYLON M6	
27	1	MPA-01.280.050	GUIDON AMENEUR	
28	2	BR-020.501.250	BOUCHON POUR TUBE D.25 MM	
29	1	MPA-01.280.380	TRINGLE TRACTION	
30	1	BR-112.081.300	BAGUE NYLON AVEC EP (16X11X8X2-11)	
31	1	MPA-01.280.070	GUIDON	
32	1	BB-011.000.080	STARLOCK 8MM	
33	2	BR-910.000.010	BAGUE COMMANDE TRACTION	
34	4	BS-511.000.840	DIN 931 VIS M8X60	
35	4	BB-221.104.100	DIN 7337 RIVET ALU 3.9X10	
36	6	BS-549.014.813	DIN 7981 VIS A TOLE A TETE CYLINDRIQUE 4.8 X 13	
37	1	MPA-01.280.740	COUVERCLE DE BOITE	
38	1	BM-260.692.541	CABLE DE GAZ	
39	1	BK-181.151.060	CABLE DE CHOKE	
40	2	BS-541.000.410	DIN 84 VIS M4X10	
41	4	BS-531.000.400	DIN 125 RONDELLE M4	
42	2	BS-502.000.400	DIN 985 ECREU NYLON M4	
43	1	MPA-01.280.140	TABLAU DE COMMANDE	
44	2	BS-512.000.816	DIN 933 VIS M8X16	
45	2	BS-533.000.800	DIN 127 RONDELLE GROER M8	
46	2	MPA-01.280.690	RONDELLE	
47	4	BL-002.004.203	DIN 625 ROULNTN 6004 2RZ	
48	1	MPA-01.280.130	SUPPORT ROUE AVANT	
49	2	MPA-01.280.360	FOURCHE	
50	4	BS-512.001.025	DIN 933 VIS M10X25	
51	4	BS-533.001.000	DIN 127 RONDELLE GROER M10	
52	4	BS-531.001.000	DIN 125 RONDELLE M10	
53	4	MPA-01.240.470	AFSTANDSBUS VOORWIEL	
54	2	BW-031.020.000	ROUE 13X5.00-6	
55	1	BS-512.002.090	DIN 931 VIS M20X90	
56	1	BR-900.000.110	CAOUTCHOUC POUR PIED DIA.90X18MM	
57	1	MPA-01.070.130	PEDALE FREIN	S235J2G3
58	2	MPA-01.240.460	AS VOORWIEL	
59	1	BS-556.001.000	DIN7152 M10X20 --LEVIER A FOURCHE	
60	2	BS-501.001.000	DIN 934 ECREU M10	
61	2	BS-531.002.000	DIN 125 RONDELLE M20	
62	2	BS-158.201.201	BOUCHON DE VIDANGE	
63	2	BH-802.020.350	O-RING 20X3.5	
64	1	BS-511.000.835	DIN 931 VIS M8X35	
65	1	BS-502.002.000	DIN 985 ECREU NYLON M20	
66	1	MPA-01.280.710	TRINGLE DE FREIN	
67	1	BA-230.011.000	DIN 71802 ROTULE M10	
68	2	BS-532.008.204	RONDELLE DE CARROSSERIE M8X20X2	
69	1	MPA-01.280.700	SUPPORT RESERVOIR ESSENCE	
70	2	BR-910.000.050	BUTEE FREIN SUPER PROF	
71	2	BB-221.004.250	DIN 7337 RIVET ACIER 3.9X25	
72	1	MPA-01.280.510	PLAT DE FREIN	
73	2	BV-907.000.020	RESSORT DE PRESSION PEDALE DIA 10 X 1 X 60	
74	2	BA-281504.504	FLANGE ROUE ALESAGE CONIQUE	
75	2	BW-054.060.000	PNEU COMPLET 6.00-9 6PR	
76	8	BS-535.301.210	DIN 74361 RONDELLE CONIQUE ELASTIQUE M12	
77	8	BS-512.301.225	DIN 933 M12X15X25 -- ROUE SP	
78	1	BY-717.203.020	RESERVOIR ESSENCE 20L	
79	1	BR-202.007.080	TUYAU MAZOUT 80CM	
80	3	BT-670.111.130	SLANGENKLEM MINI ABA 9/11-13 ZI	
81	1	BM-260.493.629	FILTRE-ESSENCE	
82	2	BS-512.000.612	DIN 933 VIS M6X12	
83	4	BB-221.104.160	DIN 7337 RIVET ALU 3.9X16	



TRACTION,RESERVOIR,COMMANDE				
NO	MMA-01.280.160	REV	1	DATE 2008/05/20