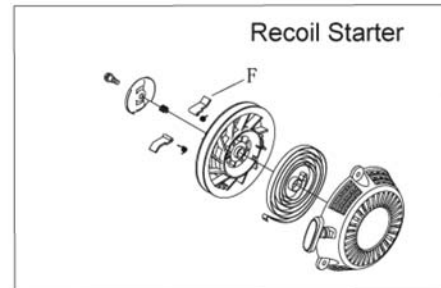
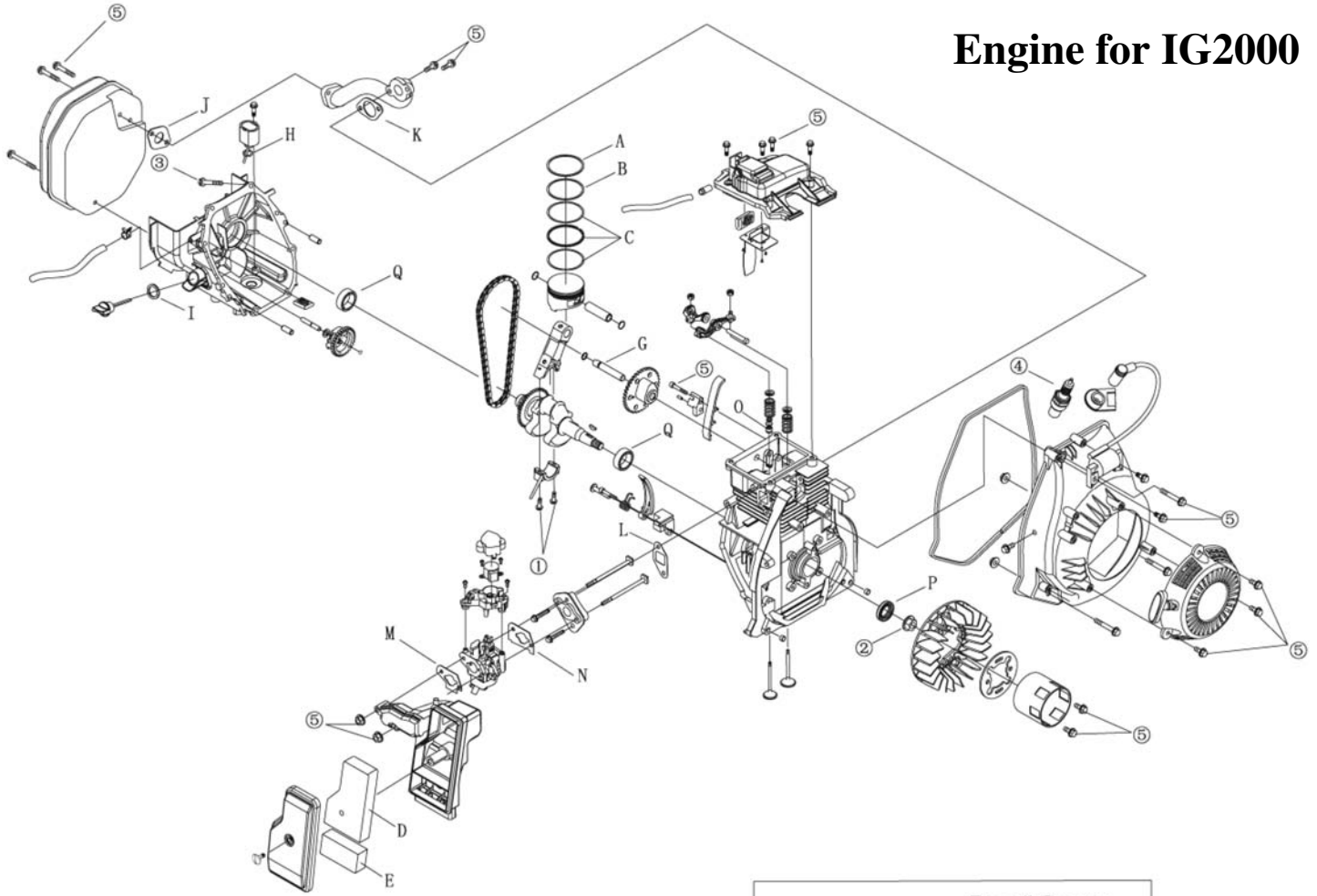


# KIPOR KG158 ENGINE ASSEMBLY & PARTS

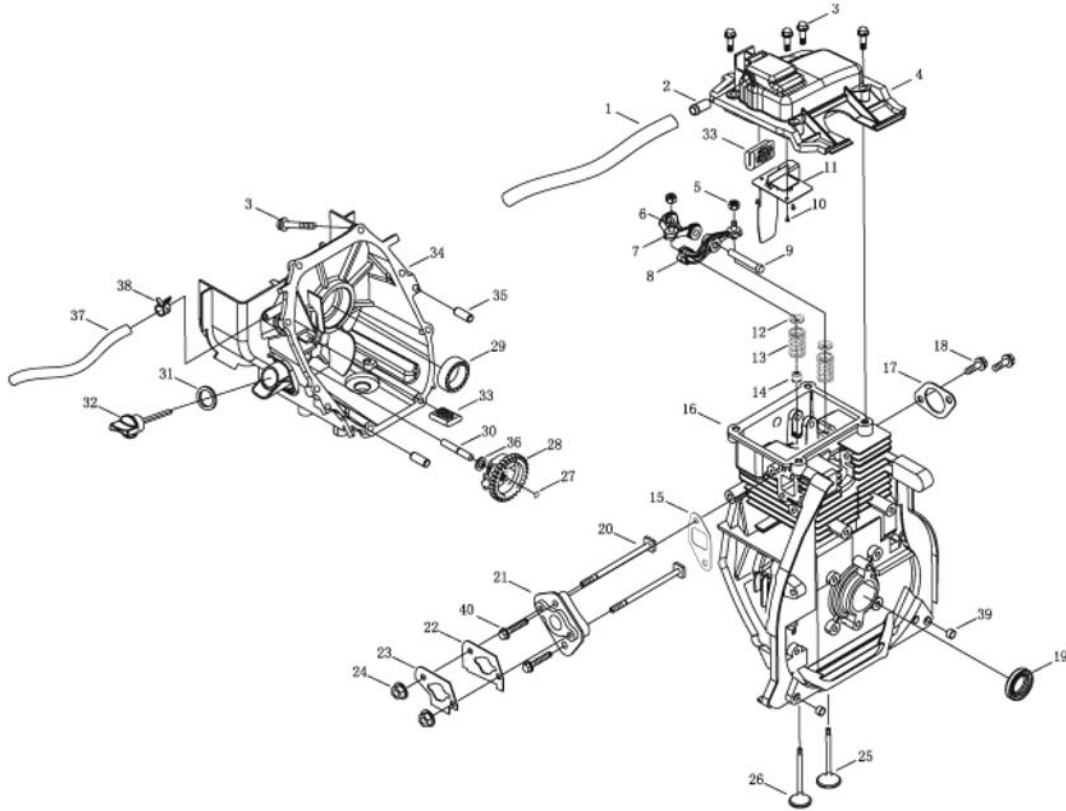
## Engine for IG2000



No.	Manf. #	Order #	Description	Qty.
<b>EASY WEARING PARTS</b>				
A-C	KG105-04100/1/2	66170	Piston Ring Set	1
A	KG105-04001		1st Air Ring	1
B	KG105-04002		2nd Air Ring	1
C	KG105-04100		Oil Ring Parts	1
D	KG105-07003	66178	Fine Filter Element	1
E	KG105-07004	66171	Coarse Filter Element	1
F	KG160-12008		Pallet	2
<b>OIL RING PARTS</b>				
G	KG105-06014		O Seal Ring (6x2)	1
H	KG105-14201		O Seal Ring (11.7x2.5)	1
<b>WASHER</b>				
I	KG240-01016	66197	Oil Dipstick Gasket	1
J	KG105-08002	66174	Muffler Gasket	1
K	KG105-01021	66169	Exhaust Pipe Washer	1
L	KG105-01018		Intake Valve Washer	1
M	KG55-10003	67033	Carburetor Gasket	1
N	KG55-10004	67034	Carburetor Gasket A	

No.	Manf. #	Order #	Description	Qty.
<b>OIL SEAL</b>				
O	KG105-01022		Intake Valve Pipe Oil Seal	1
P	KG105-01004		Oil Seal	1
<b>BEARING</b>				
Q	GB71276-1994		Rolling Bearing 6204	2
<b>MAIN BOLTS , NUT TORQUE TABLE (Unit: N.m)</b>				
1			Connection Rod Bolt	8-10
2			Flywheel Nut	70-80
3			Crankcase Cover Bolt	8-10
4			Spark Plug	12-14
5			Standard Bolt M6 (Nut)	8-10

# KG158 Engine Parts Listing

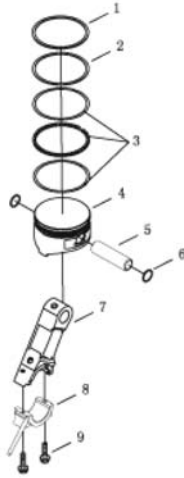


## Cylinder Assembly KG105AGTi-01000

No.	Manf. #	Order #	Description	Qty.
1	KG105AGTi-01036		Vent Pipe	1
2	KG105AGTi-01025		Pipe Tip	1
3	GB/T5789-2000		Hexagonal flange bolt M6X25	12
4	KG105AGTi-01011		Cylinder Cover	1
5	KG105-01005		Vent Clearance Adjusting Nut	2
6	KG105-01006		Valve Clearance Adjusting Screw	2
7	KG105AGTi-01401		Intake Vent Rocker Arm	1
8	KG105AGTi-01501		Outtake Vent Rocker Arm	1
9	KG105AGTi-01007		Rocker Arm Shaft	1
10	GB/T818-2000		Screw M3X5	3
11	KG105AGTi-01200		Respirator Cover Welder	1
12	KG55-01026	66982	Valve Spring Base	2
13	KG55-01027	66983	Valve Spring	2
14	KG55-01022		Intake Valve Conduction Pipe Seal	1
15	KG55-01018	66206	Air Intake Pipe Gasket	1
16	KG105AGTi-01100		Cylinder Mechanism Part	1
17	KG105-01021	66169	Air Exhaust Gasket	1
18	GB/T5789-2000		Hexagonal Flange Bolt M6x20	2
19	KG105-01004		Oil Seal (32x20x6)	1
20	KG105-01019		Carburetor Bolt	2

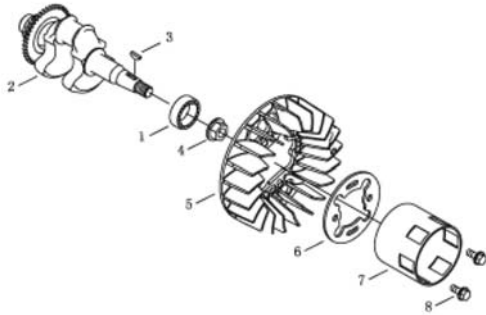
No.	Manf. #	Order #	Description	Qty.
21	KG105-01017	67052	Carburetor Block	1
22	KG55-1004		Bolt M6X25	2
23	KG55-10003	67033	Carburetor Gasket	1
24	GB/T6177. 1-2000		Hexagonal Flange Nut M5	2
25	KG105-01024	67053	Exhaust Valve	1
26	KG105-01023	67054	Intake Valve	1
27	KG160-11009		Retainer	1
28	KG105AGTi-01038		Oilgear	1
29	GB/T276-1994		Rolling Bearing 6204	1
30	KG105-01039a		Oilgear Shaft	1
31	KG240-01016	66197	Oil Dipstick Washer	1
32	KG55-01031	66990	Oil Dipstick	1
33	KG55-01042		Oil Gas Separation Net	2
34	KG105AGTi-01001		Crankcase Box Cover	1
35	KG105-01003a		Crankcase Box Cover Location Pin	2
36	KG160-11013		Speed Restriction Gear Washer	1
37	GKG105AGTi-01034	67072	Negative Pressure Tube	1
38	QC/620-1999	66496	Clip 8-12	1
39	KG105-01041		Gasket Packing	2
40	GB/T16674.1-2004	67094	Hexagonal Flange Bolt M6x25	2

# KG158 Engine Parts Listing, continued



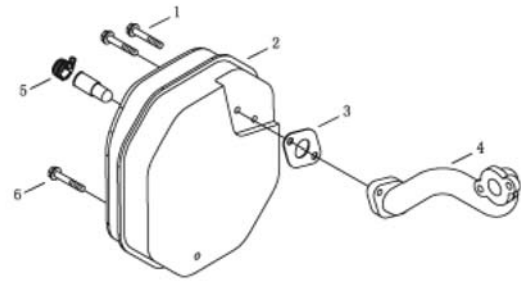
## Piston Connection Assembly KG105-04000

No.	Manf. #	Order #	Description	Qty.
1-9	KG105-04000	67103	Piston Connecting Rod Assembly	1
1-3	KG105-04100/1/2	66170	Piston Ring Set	1
1	KG105-04001		1st Air Ring	1
2	KG105-04002		2nd Air Ring	1
3	KG105-04100		Oil Ring Parts	1
4	KG105-04003		Piston	1
5	KG135L-04004		Piston Pin	1
6	KG135L-04005		Shield Ring	2
7-9	KG105-04200	67260	Connecting Rod Assembly	1



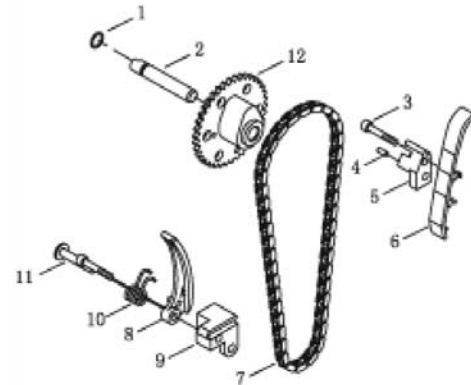
## Crankshaft Assembly KG105-05000a

No.	Manf. #	Order #	Description	Qty.
1	GB/T276-1994		Roller Bearing 6204	1
2	KG105-05100		Crankshaft	1
3	KG55-05003		Key 3X4.9X16	1
4	KG105-05008		Rotor Nut	1
5	KG55-05005	67080	Impeller	1
6	KG105-05006	67083	Impeller Pressure Plate	1
7	KG105-05007b	67084	Starting Claw Disc	1
8	GB/T1664.1-2004		Hexagonal Flange Bolt M6X12	2



## Exhaust Assembly KG105-08000

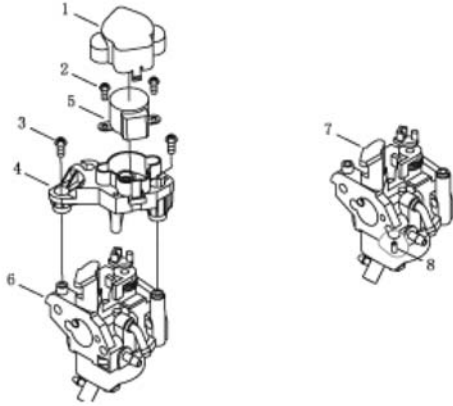
No.	Manf. #	Order #	Description	Qty.
1	GB/T5789-2000		Hexagonal Flange Bolt M6X75	2
2	KG105-08100	66175	Muffler	1
3	KG105-08002	66174	Muffler Gasket	1
4	KG105-08001	66173	Exhaust Pipe	1
5	KG105-08200	66176	Spark Arrestor	1
6	GB/T5789-2000		Hexagonal Flange Bolt M6X80	1



## Mechanism of Decompressor Assembly KG105AGTi-06000

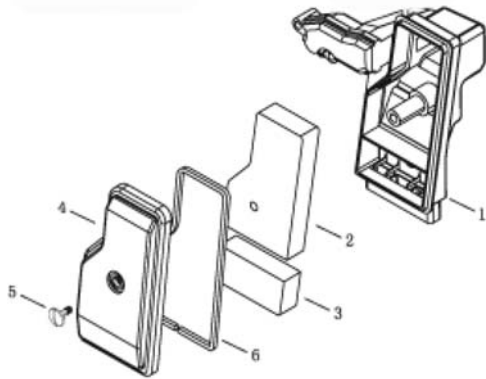
No.	Manf. #	Order #	Description	Qty.
1	KG105AGTi-06014		O-Ring Seal (6x2)	1
2	KG105AGTi-06013		Drive Shaft	1
3	GB/T70.1-2000		Screw M6x25	2
4	KG55-01004		Location Pin of Crankcase Cover	1
5	KG105-06012		Clip Block	1
6	KG105-06003		Chain Pallet	1
7	KG105-06002	66928	Roller Chain	1
8	KG105-06001		Chain Clamp Plate	1
9	KG105-06011		Bearing Plate	1
10	KG105-06008a		Strain Spring	1
11	KG105-06009		Strain spring pin shaft	1
12	KG105AGTi-06100		Cam timing drive chain	1

# KG158 Engine Parts Listing, continued



## Carburetor Assembly KG105-1000

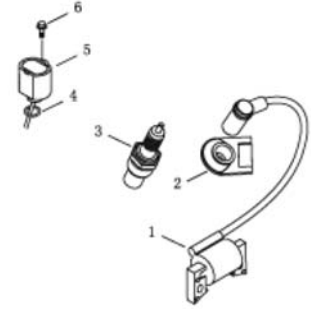
No.	Manf. #	Order #	Description	Qty.
1	KG55-10002	67032	Motor Bracket Cover	1
2	GB/T818-2000		Plus Screw M3X5	1
3	GB/T818-2000		Plus Screw M4X10	1
4	KG55-10001		Motor Bracket	1
5	24BYJ-24	66019	Stepping Motor	1
6	KG105-10000	65927	Carburetor	1
7	P151-016		Choke Valve Handle	1
8	P15-015A	66282	High Altitude Jet	1



## Air Intake System KG105AGTi-07000

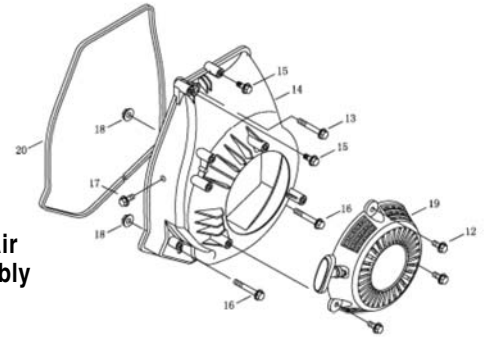
No.	Manf. #	Order #	Description	Qty.
1-6	KG105AGTi-07000	67109	Air Intake Assembly	1
1	KG105AGTi-07100		Air Filter Case Assembly	1
2	KG105-07003	66178	Fine Air Filter Element	1
3	KG105-07004	66171	Coarse Air Filter Element	1
4	KG105-07001	67087	Air Filter Cover	1
5	KG105-07002		Fasten Screw	1
6	KG105-07005		Seal gasket	1

## Ignition System KG105AGTi-14000



No.	Manf. #	Order #	Description	Qty.
1	KG105-14100	67085	Ignition Coil	1
2	KG105AGTi-14101		Seal Sheath	1
3	QC/T430-1999	67039	Spark Plug	1
4	KG105-14201		O-Ring Seal (11.7X2.5)	1
5	KG105-14200	66599	Oil Alarm System	1
6	GB/T5789-1986		Bolt M6X14	1

## Recoil Starter and Air Guide Cover Assembly KG105-12000



No.	Manf. #	Order #	Description	Qty.
1-20	KG105-12200	65979	Recoil Starter Assembly	1
1	KG160-12202		Starting Handle Cover	1
2	KG240-12206		Tighten Bolt	1
3	KG240-12205		Pallet Guide Plate	1
4	KG240-12204		Friction Spring	1
5	KG240-12208		Pallet	2
6	KG240-12207		Pallet Spring	2
7	KG105-12203		Starter Reel Shaft	1
8	KG160-12003		Recoil Starter Spring	1
9	KG105-12210		Starter Outer Shell Part	1
10	KG160-12009		Starting Pulling Rope	1
11	KG105-12201		Starting Handle	1
12	GB/T5789-2000		Hexagonal Flange Bolt M6X16	3
13	GB/T5789-2000		Hexagonal Flange Bolt M6X45	1
14	KG105-12100		Air Guide Cover Part	1
15	GB/T5789-2000		Bolt M6X20	2
16	GB/T5789-2000		Bolt M6X50	2
17	GB/T5789-2000		Bolt M5X10	1
18	GB/6177.1-2000		Hexagonal Flange Nut M6	2
19	KG105-12200		Recoil Starter Parts	1
20	KG105-12001		Seal Parts	1