

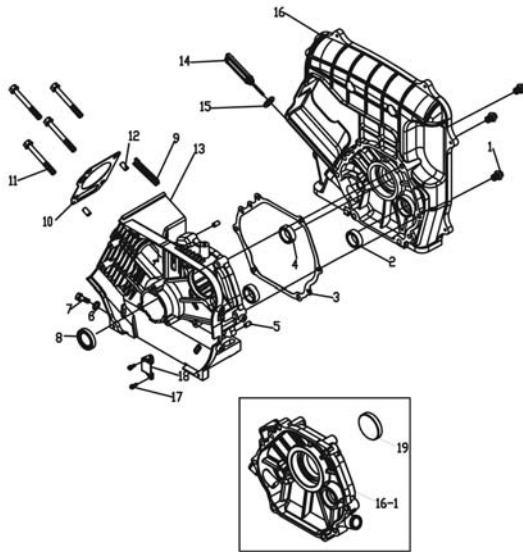
**KIPOR
KG390GEXi, KG390GETi ENGINE
For IG6000, KGE5500e Generators**

**Tightening Torque of Main Bolts
and Nuts (N.m)**

No.	Description	Tightening Torque
1	Connecting rod bolt	20-22
2	Flywheel nut	130-150
3	Crankcase cover bolt	20-23
4	Cylinder cover bolt	42-46
5	Rocker arm shaft bolt	20-23

Wearing Parts

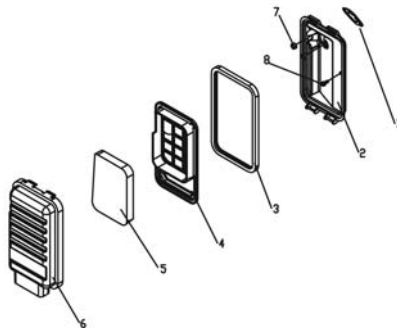
Ref.	Manf. #	Order #	Description	Qty.	Mounted to
A	KG160-01016	66181	Oil Dipstick Gasket	1	(01) Cylinder Body Assy.
B	KM168F-1000B		Oil Drain Bolt Washer	1	(01) Cylinder Body Assy.
C	KG340-01017		Oil Seal	1	(01) Cylinder Body Assy.
D	GB/T276-1994		Roller Bearing 6207	1	(01) Cylinder Body Assy.
E	GB/T276-1994		Roller Bearing 6202	2	(01) Cylinder Body Assy.
F	KG240-02015	66417	Gasket, Exhaust Pipe	1	(02) Cylinder Cover Assy.
G	KG340-02014	66425	Gasket, Inlet Pipe	1	(02) Cylinder Cover Assy.
H	KG390GETI-02021	66431	Carburetor Gasket A	1	(02) Cylinder Cover Assy.
I	KG390GETI-02023	66432	Carburetor Gasket B	1	(02) Cylinder Cover Assy.
J	KG390-04100T		Piston ring	1	"(04) Piston Connecting Rod Assy.
K	GB-T276-1994		Roller Bearing 6207	1	"(05) Crankshaft Flywheel Assy.
L	KG240GX-07002	66424	Element	1	(07) Inlet System
M	KG240-07004	66420	Carburetor Gasket	1	(07) Inlet System
N	WR7DC	66164	Spark Plug	1	(14) Ignition System



KG390GETi-01000 Cylinder Body Assy.

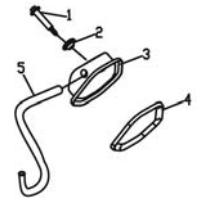
No.	Manf. #	Order #	Description	Qty.
1	GB/T5789-1986		Bolt M8X13	7
2	GB/T276-1994		Roller Bearing 6202	2 (Select)
3	KG340-01005		Crankcase Cover Washer	1
4	GB/T276-1994		Roller Bearing 6207	1
5	KG160-01011		Crankcase Cover Location Pin	2
6	KM168F-10008	66482	Oil Drain Plug Gasket	1
7	KG240-01007	66416	Oil Drain Plug	1
8	KG340-01017		Oil Seal	1
9	KG390GETi-01021		Seal Washer	1
10	KG390-01004	66428	Cylinder Cover Gasket	1
11	KG240-01003		Cylinder Cover Bolt	4
12	KG240-01012		Cylinder Cover Location Pin	2
13	KG390GETi-01001		Cylinder Body	1
14	KG205GETi-01015	66415	Oil Dipstick	1
15	KG160-01016	66181	Oil Dipstick Gasket	1
16	KG390GETi-01006		Crankcase Cover	1
17	GB/T5789-1986		Bolt M6X12	2
18	KG390GETi-01022		Pressure Wire Plate	1
KG390GEXi-01000 Cylinder Body Assy.				
16-1	KG390GEXi-01006		Crankcase Cover	1
19	KG390GEXi-01023		Cover	1

KG390GETi-07000 Inlet System



No.	Manf. #	Order #	Description	Qty.
1	KG240-07004	66420	Carburetor Gasket	1
2	KG390GETi-07001	66433	Air Filter Base	1
3	KG390GETi-07004		Seal	1
4	KG390GETi-07003		Fixed Mount of Element	1
5	KG240GX-07002	66424	Element	1
6	KG390GETi-07002	66434	Air Filter Cover	1
7	GB/T6177.1-2000		Nut M6	2
8	GB/T5789-1986		Bolt M6X12	1

KG390GETi-03000 Cylinder Cover Assy.

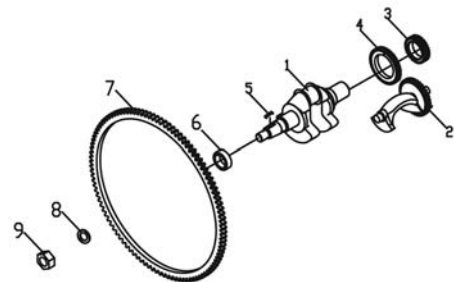


No.	Manf. #	Order #	Description	Qty.
1	KG240-03003		Fastening Bolt, Cylinder Cover	1
2	KG240-03004		"Fastening Bolt, Cylinder Cover Washer	
3	KG240-03100		Cylinder Cover Parts	1
4	KG240-03001	66418	Valve Cover Gasket	1
5	KG390GETi-03002		Air Pipe	1

KG390GETi-11000 Governor & Operation System



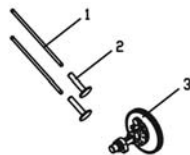
No.	Manf. #	Order #	Description	Qty.
1	KG390GETi-11000		Governor & Operation System	1



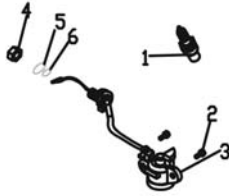
KG390GETi-05000 Crankshaft Flywheel Assy.

No.	Manf. #	Order #	Description	Qty.
1	KG390GETi-05001		Crankshaft	1
2	KG340-05005		Balance Shaft	1 (Select)
3	KG340-05002		Crankshaft Timing Gear	1
4	KG340-05003		Driving Gear, Balance Shaft	1 (Select)
5	GB/T1096-2003		Key 5x14	1
6	GB/T276-1994		Roller Bearing 6207	1
7	KM186FAGETi-05102		Flywheel Gear Ring	1
8	KM186F-05002		Flywheel Nut	1
9	KM186F-05003		Flywheel Nut Washer	1

KG390-06000 Camshaft Assy.

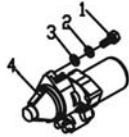


No.	Manf. #	Order #	Description	Qty.
1	KG340-06002		Valve Pulling Rod	2
2	KG390GETi-06002a		Valve Supporting Post	2
3	KG390-06100		Camshaft Parts	1



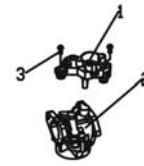
KG390GETi-14000 Ignition System

No.	Manf. #	Order #	Description	Qty.
1	QC/T430-1999	66164	Spark Plug WR7DC	1
2	GB/T5789-1986		Bolt M6X18	2
3	KG240-14300	66421	Oil Alarm	1
4	GB/T6177.1-2000		Nut M10	1
5	KG160-14002		O-Ring Seal 1	1
6	KG160-14003		O-Ring Seal 2	1



KG390GETi-15000 Starter Motor System

No.	Manf. #	Order #	Description	Qty.
1	GB/T5783-2000		Bolt M10X30	2
2	GB/T93-1987		Washer 10	2
3	GB/T97.1-2002		Washer 10	2
4	KG340E-15100	66520	Starter Motor KGE5500E	1
4	KM186FE-15100	66487	Starter Motor IG6000	1



KG390GETi-10000 Carburetor Assy.

No.	Manf. #	Order #	Description	Qty.
1	KG200GTi-10210		Generator Support Parts	1
2	P27A1-000	66491	Carburetor	1
3	GB/T823-1988		Bolt M4X8	2
	24BYJ24D	66147	Stepping Motor	1
	P27A3-014	66493	High Altitude Main Jet	1
	P27A3-300	66927	Carburetor Solenoid	1



KG390-04000 Piston Connecting Rod Assy.

No.	Manf. #	Order #	Description	Qty.
1	KG390-04100T		Piston Ring	1
2	KG340-04005		Washer	2
3	KG340-04004		Piston Pin	1
4	KG390-04003		Piston	1
5	KG340-04200		Connecting Rod Parts	1

KG390GETi-02000 Cylinder Cover Assy.

No.	Manf. #	Order #	Description	Qty.
1	KG240-02017		Outlet Pipe Stud	2
2	KG240-02015	66417	Outlet Pipe Washer	1
3	KG340-02005		Outlet Valve	1
4	KG340-02004		Intake Valve	1
5	KG340-02014	66425	Intake Pipe Washer	1
6	KG390GETi-02017b	67162	Carburetor Insulation Block	1
7	KG340-02021		Carburetor Washer A	1
8	KG390GETi-02016		Intake Pipe Stud	2
9	KG240GX-02023		Carburetor Washer B	1
10	KG240-02012		Intake Valve Pipe Seal	2
11	KG240-02001		Intake Valve Spring Base	1
12	KG390GETi-02011		Pulling Rod Guide Plate	1
13	KG160-02007		Rocker Arm Shaft Bolt	2
14	KG240-02009		Valve Rocker Arm	2
15	KG160-02008		Rocker Arm Shaft	2
16	KG160-02016		Rocker Arm Shaft Adjuster Nut	2
17	KG240-02003		Exhaust Valve Adjuster Control	1
18	KG240-02002		Exhaust Valve Spring Base	1
19	KG240-02006		Valve Spring	2
20	KG240-02013		Exhaust Spring Base	1
21	KG340-02100		Cylinder Cover Matching Parts	1

