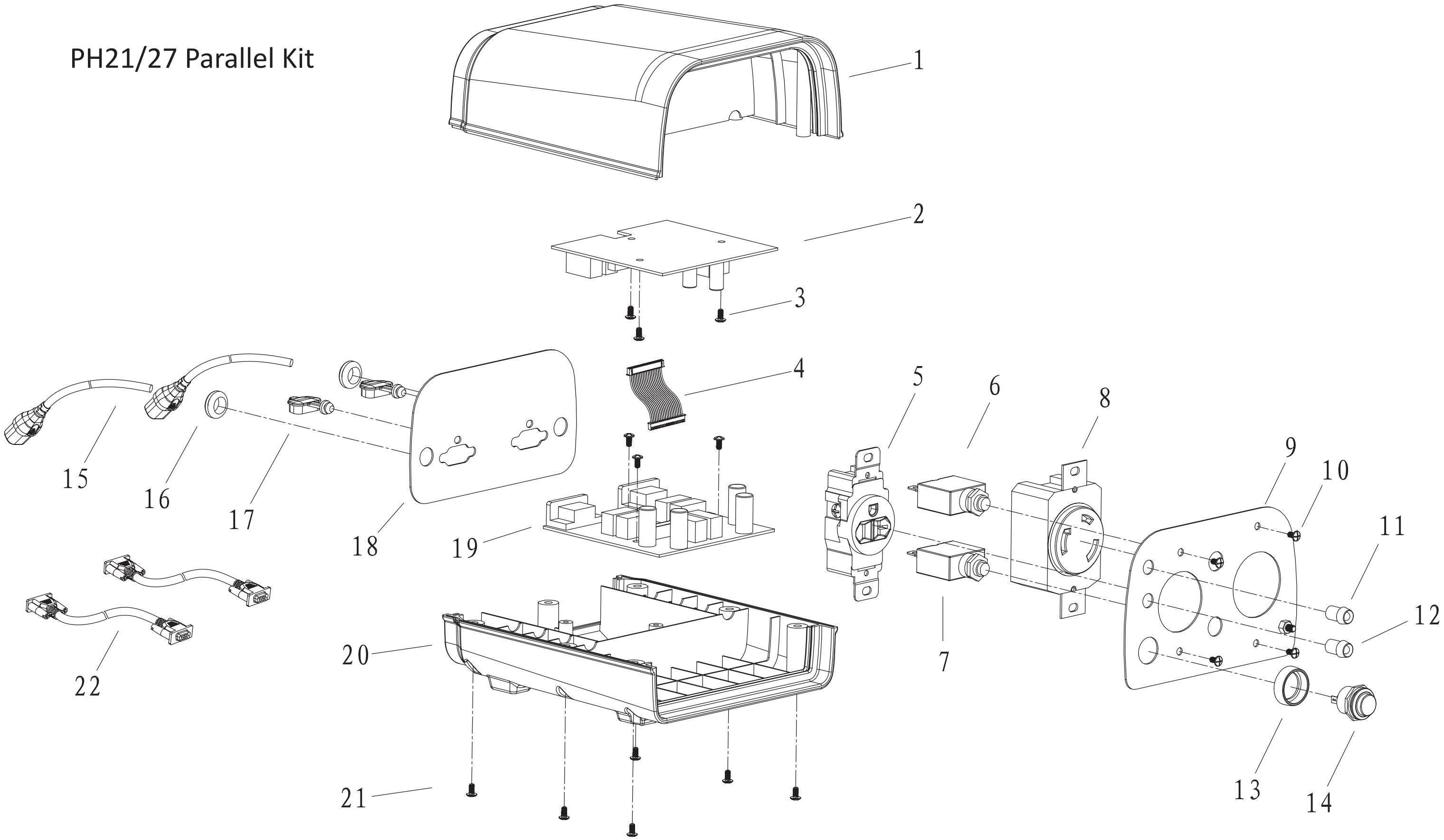


PH21/27 Parallel Kit



PH21/27 Parallel Kit Parts List				
Ref #	MFR #	Stock	Description	QTY
1	68321	69865	Top case	1
2	71140	69869	IC board, upper	1
3	03050316	69359	ST3.5 x 12 self-tapping screw	6
4	01280101	69871	IC connector ribbon harness	1
5	04130138	69872	120~20A 5-20 R single receptacle	1
6	10010130	69650	AC breaker 20A	1
7	10010132	60054	AC breaker 30A	1
8	04130125	69382	120~30A L5-30 receptacle	1
9	04120226	69847	Front panel	1
10	03050817	69875	M4 x 12screw	4
11	01070302	69876	Indicator light, (Green)	1
12	01070301	69877	indicator light, (Red)	1
13	68249	69652	Button guard	1
14	10030104	69532	Overload reset button	1
15	2020810	69878	AC input cable	2
16	09070216	69879	Grommet	2
17	04030282	69880	Parallel socket cover	2
18	04120225	69881	Rear panel	1
19	71141	69882	IC board, lower	1
20	68332	69883	Bottom case	1
21	03050320	69361	AT4 x 16 self-tapping screw	6
22	02020808	69884	Signal cables	2