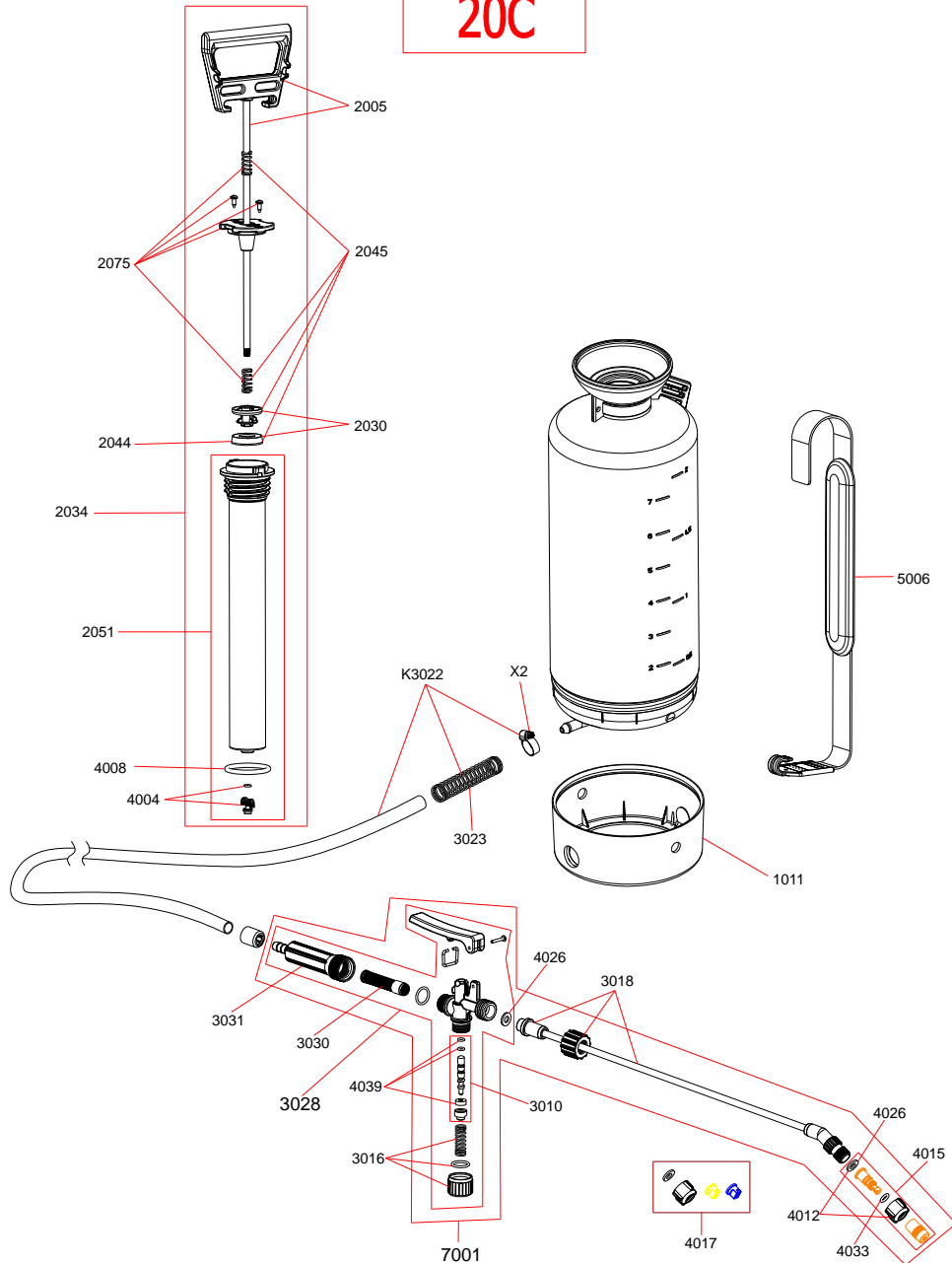


20C



PART LIST

- 1011 BLACK BASE FOR 1 & 2 GALLON COMPRESSION SPRAYER
- 2005 PUMP HANDLE W/ SS METAL ROD
- 2030 PISTON SEAT
- 2034 COMPLETE PUMP MODULE
- 2044 PUMP PLUNGER
- 2045 PUMP PLUNGER ASSEMBLY SET
- 2051 PUMP TUBE WITH O-RING AND ANTENNA FOR CONSTRUCTION
- 2075 SCREW SET & SPRING FOR TOP OF PUMP
- 3010 BRASS SPINDLE SET
- 3016 PLUG SET (CAP, SPRING, & O-RING)
- 3018 BRASS SPRAY WAND - 20" (LG, CS, ACT)
- 3022 HOSE SET W/ CLAMPS & PROTECTIVE SPRING
- 3023 PROTECTIVE HOSE SPRING
- 3028 SPRAY GUN WITH BUILT-IN FILTER & GRIP ALL VITON
- 3030 REPLACEMENT FILTER FOR FILTERED SPRAY GUN
- 3031 REPLACEMENT GRIP FOR FILTERED SPRAY GUN
- 4004 CHECK VALVE ANTENNA & O-RING
- 4008 LARGE O-RING FOR CONSTRUCTION PUMP TUBE
- 4012 NOZZLE HOLDER FOR CONSTRUCTION
- 4015 ADJUSTABLE BRASS NOZZLE (HOLDER INCLUDED) -VITON-
- 4017 PLASTIC SPRAY TIP SET (1-11002, 1- 11003)
- 4026 WASHER SET FOR SPRAY GUN - VITON -
- 4026 WASHER SET FOR SPRAY GUN - VITON -
- 4033 VITON O-RING FOR ADJUSTABLE NOZZLE
- 4039 O-RING, & WASHER SET FOR SPINDLE
- 5006 PADDED SHOULDER STRAP - (1 EACH)
- 7001 UNIVERSAL GUN, WAND, & NOZZLE - FITS ALL SP SPRAYERS