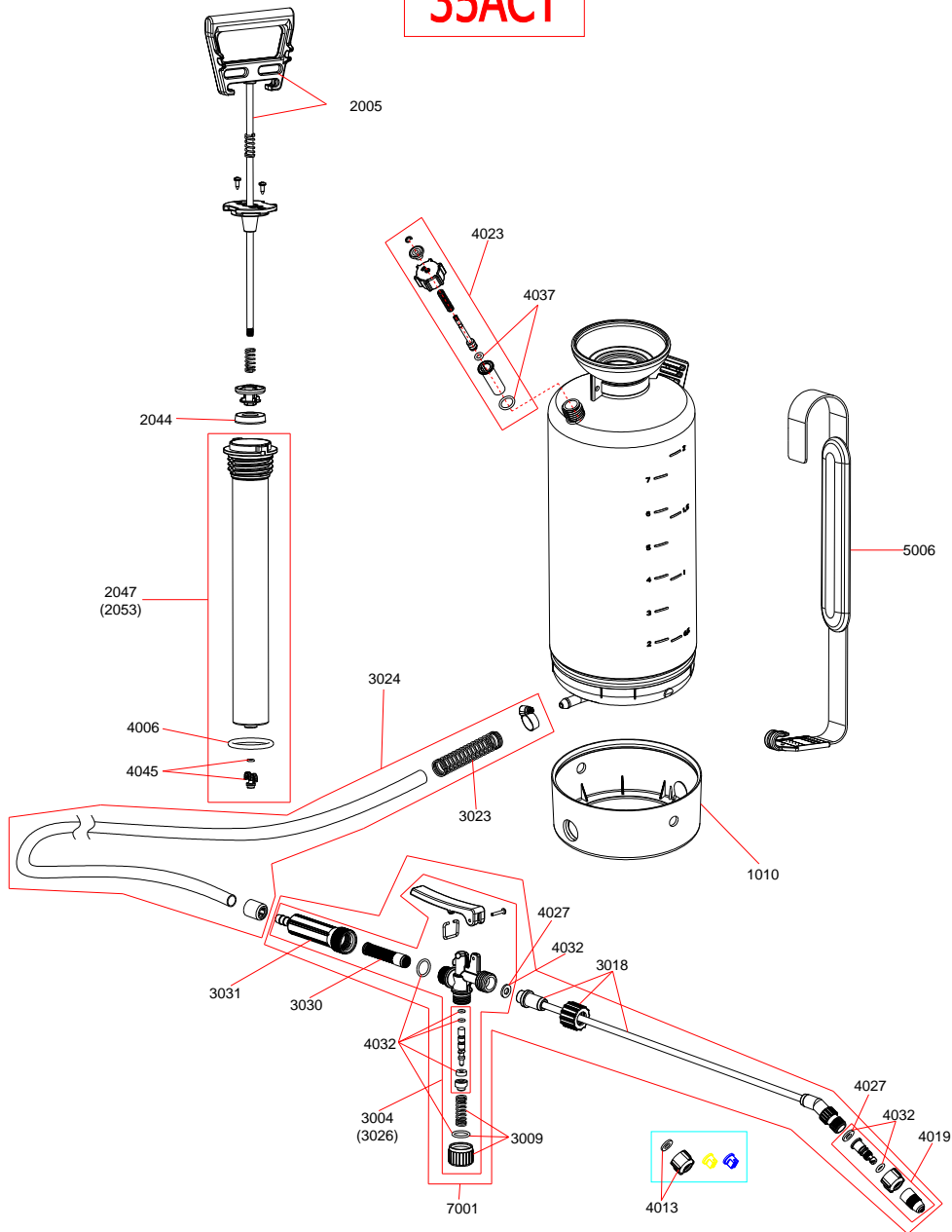


35ACT



PART LIST

- 1010 RED BASE FOR 3 GALLON ACETONE SPRAYER
- 2005 PUMP HANDLE W/ SS METAL ROD
- 2044 PUMP PLUNGER
- 2047 COMPLETE PUMP MODULE (ACETONE)
- 3004 SPRAY GUN W/ BUILD-IN FILTER & GRIP FOR ACID
- 3009 PLUG SET (ACT)
- 3018 BRASS SPRAY WAND - 20" (LG, CS, ACT)
- 3023 PROTECTIVE HOSE SPRING
- 3024 FLEXIBLE HOSE & GRIP FILTER (ACT) "NEW"
- 3030 REPLACEMENT FILTER FOR FILTERED SPRAY GUN
- 3031 REPLACEMENT GRIP FOR FILTERED SPRAY GUN
- 4006 LARGE O-RING FOR PUMP TUBE (ACETONE)
- 4013 NOZZLE HOLDER FOR ACETONE
- 4019 ADJUSTABLE PLASTIC NOZZLE FOR ACETONE
- 4023 PRESSURE RELIEF VALVE FOR ACETONE
- 4027 WASHER SET FOR ACETONE
- 4027 WASHER SET FOR ACETONE
- 4032 O-RING SET FOR GUN, WAND, & NOZZLE FOR ACETONE
- 4032 O-RING SET FOR GUN, WAND, & NOZZLE FOR ACETONE
- 4032 O-RING SET FOR GUN, WAND, & NOZZLE FOR ACETONE
- 4037 O-RING SET FOR PRESSURE RELIEF VALVE FOR ACETONE
- 4045 CHECK VALVE ANTENNA & O-RING (ACETONE)
- 5006 PADDED SHOULDER STRAP - (1 EACH)
- 7001 UNIVERSAL GUN, WAND, & NOZZLE - FITS ALL SP SPRAYERS