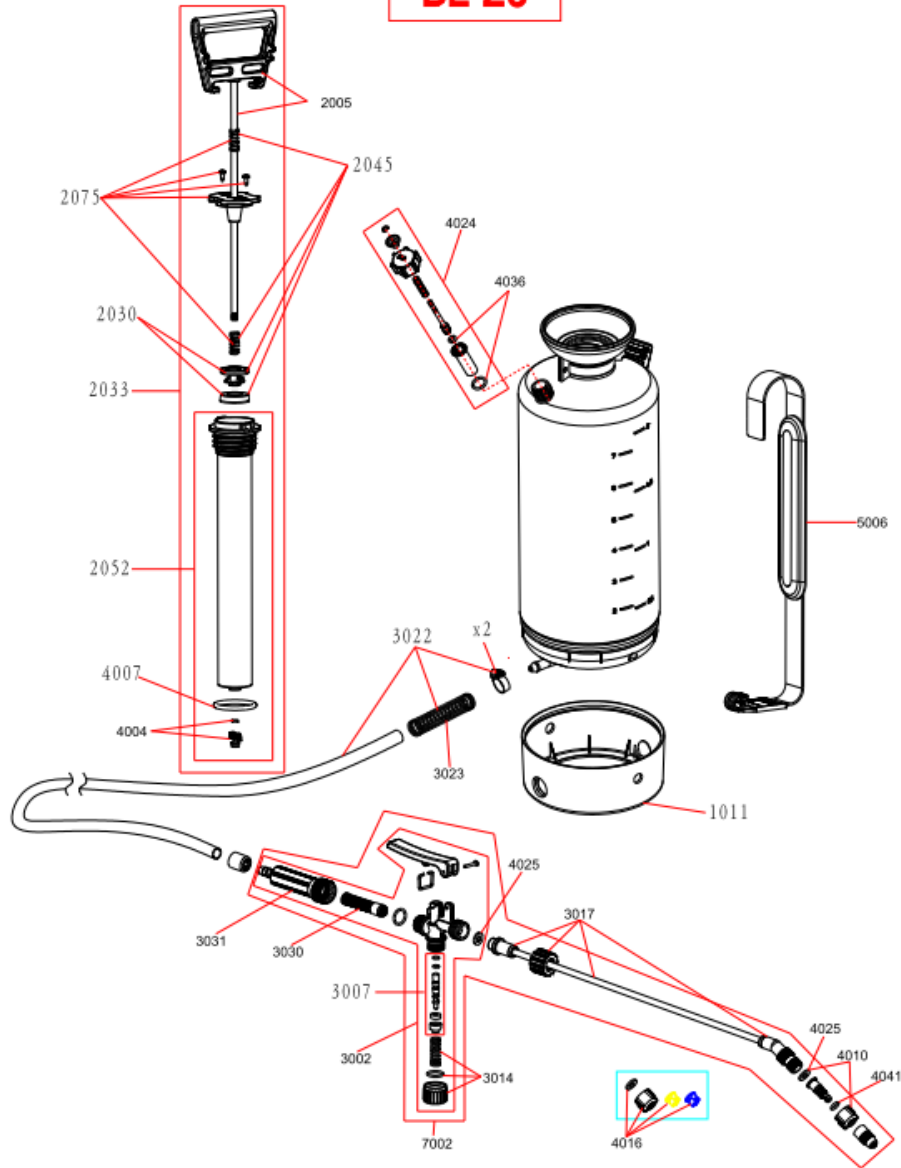




GMI151217-BL20

BL 20



PART LIST

- K1011 BLACK BASE FOR 1 & 2 GALLON COMPRESSION SPRAYER
- K2005 PUMP HANDLE W/ SS METAL ROD
- K2030 PISTON SEAT
- K2033 COMPLETE PUMP MODULE
- K2045 PUMP PLUNGER ASSEMBLY SET
- K2052 PUMP TUBE WITH O-RING AND ANTENNA
- K2075 SCREW SET & SPRING FOR TOP OF PUMP
- K3002 SPRAY GUN WITH BUILT-IN FILTER & GRIP
- K3007 PLASTIC SPINDLE SET W/ VITON SEALS
- K3014 PLUG SET (CAP, SPRING, & O-RING)
- K3017 FIBERGLASS WAND - 20"
- K3022 HOSE SET W/ CLAMPS & PROTECTIVE SPRING
- K3023 PROTECTIVE HOSE SPRING
- K3030 REPLACEMENT FILTER FOR FILTERED SPRAY GUN
- K3031 REPLACEMENT GRIP FOR FILTERED SPRAY GUN
- K4004 CHECK VALVE ANTENNA & O-RING
- K4007 LARGE O-RING FOR PUMP TUBE
- K4010 NOZZLE HOLDER
- K4016 FAN NOZZLE FOR ACID (1 NOZZLE)
- K4024 PRESSURE RELIEF VALVE FOR BLEACH
- K4025 WASHERS FOR SPRAY GUN TO WAND & NOZZLE ATTACHMEI
- K4025 WASHERS FOR SPRAY GUN TO WAND & NOZZLE ATTACHMEI
- K4036 O-RING SET FOR PRESSURE RELIEF VALVE FOR ACID
- K4041 O-RING FOR ADJUSTABLE NOZZLE
- K5006 PADDED SHOULDER STRAP - (1 EACH)
- K7002 GUN, WAND, & NOZZLE

NT (2)

NT (2)