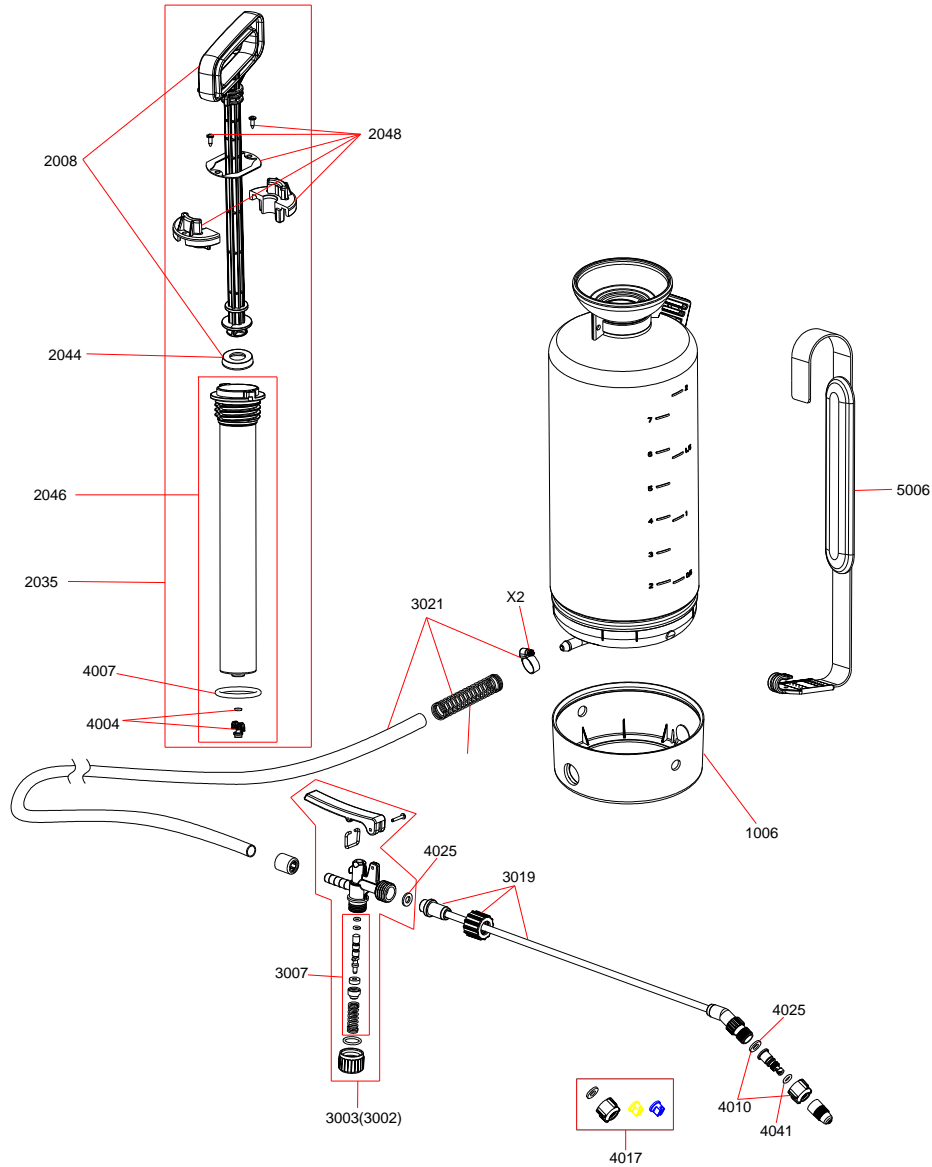


**FH20**



PART LIST

- 1006 GREEN BASE FOR 1 & 2 GALLON COMPRESSION
- 2008 PUMP HANDLE W/ PLASTIC ROD FOR FH AND ACID SPRAYERS
- 2035 COMPLETE PUMP MODULE
- 2044 PUMP PLUNGER
- 2046 PUMP TUBE WITH O RING AND ANTENA
- 2048 PUMP TUBE CAPS (2)
- 3003 SPRAY GUN WITH PLASTIC SPINDLE
- 3007 PLASTIC SPINDLE SET W/ VITON SEALS
- 3019 FIBERGLASS WAND - 20"
- 3021 HOSE SET W/ CLAMPS
- 4004 CHECK VALVE ANTENNA & O-RING
- 4007 LARGE O-RING FOR PUMP TUBE
- 4010 NOZZLE HOLDER
- 4017 PLASTIC SPRAY TIP SET (1-11002, 1- 11003)
- 4025 WASHERS FOR SPRAY GUN TO WAND & NOZZLE ATTACHMENT (2)
- 4025 WASHERS FOR SPRAY GUN TO WAND & NOZZLE ATTACHMENT (2)
- 4041 O-RING FOR ADJUSTABLE NOZZLE
- 5006 PADDED SHOULDER STRAP - (1 EACH)