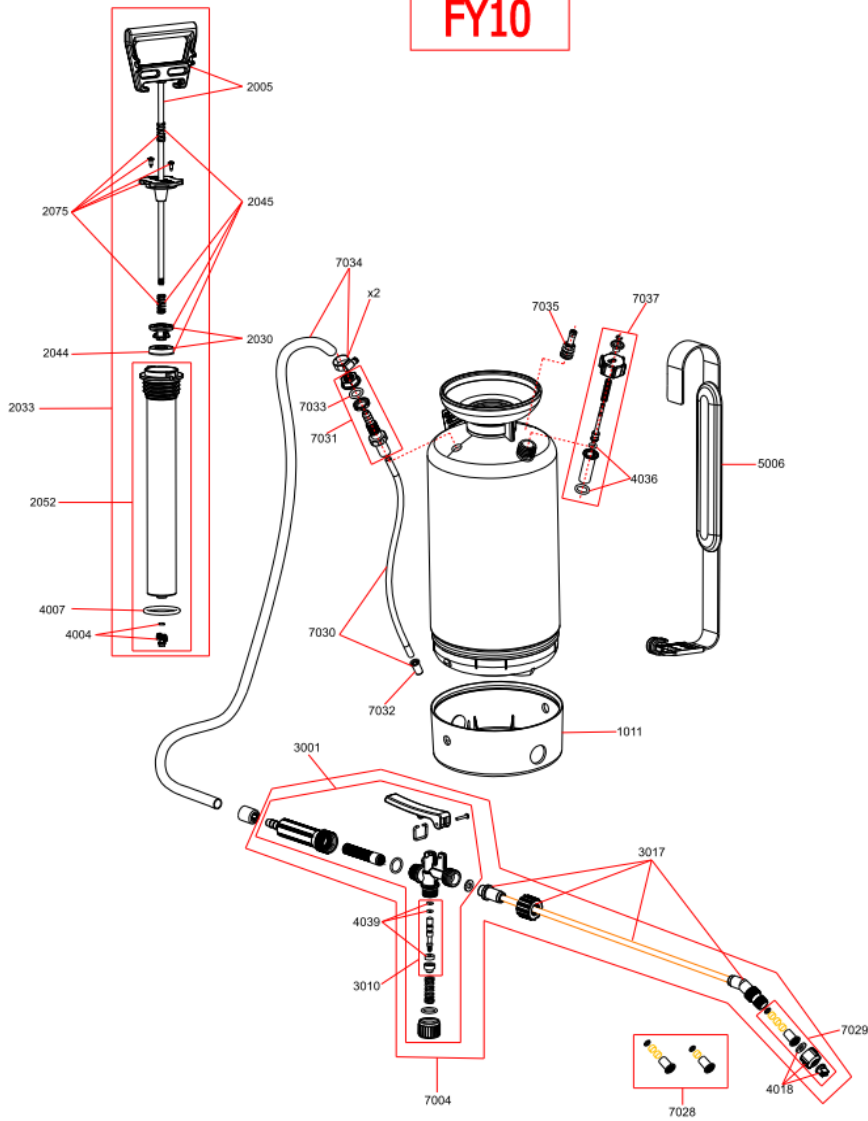




GMI151217-FY10

FY10



PART LIST

- K1011 BLACK BASE FOR 1 & 2 GALLON COMPRESSION SPRAYER
- K2005 PUMP HANDLE W/ SS METAL ROD
- K2030 PISTON SEAT
- K2033 COMPLETE PUMP MODULE
- K2044 PUMP PLUNGER
- K2045 PUMP PLUNGER ASSEMBLY SET
- K2052 PUMP TUBE WITH O-RING AND ANTENNA
- K2075 SCREW SET & SPRING FOR TOP OF PUMP
- K3001 SPRAY GUN WITH BUILT-IN FILTER & GRIP
- K3010 BRASS SPINDLE SET
- K3017 FIBERGLASS WAND - 20"
- K4004 CHECK VALVE ANTENNA & O-RING
- K4007 LARGE O-RING FOR PUMP TUBE
- K4018 PLASTIC SPRAY TIP SET
- K4036 O-RING SET FOR PRESSURE RELIEF VALVE FOR ACID
- K4039 O-RING, & WASHER SET FOR SPINDLE
- K5006 PADDED SHOULDER STRAP - (1 EACH)
- K7004 GUN, WAND, & NOZZLE - FITS FOAMY
- K7028 PE FILTER W/PAD
- K7029 NOZZLE FITTING W/SEAL
- K7030 SUCTION HOSE
- K7031 SUCTION CONNECTOR
- K7032 FILTER CAP
- K7033 O-RING
- K7034 FLEXIBLE HOSE & GRIP FILTER (FOAMY) "NEW"
- K7035 TIRE VALVE
- K7037 PRESSURE RELIEF VALVE FOR FOAMY