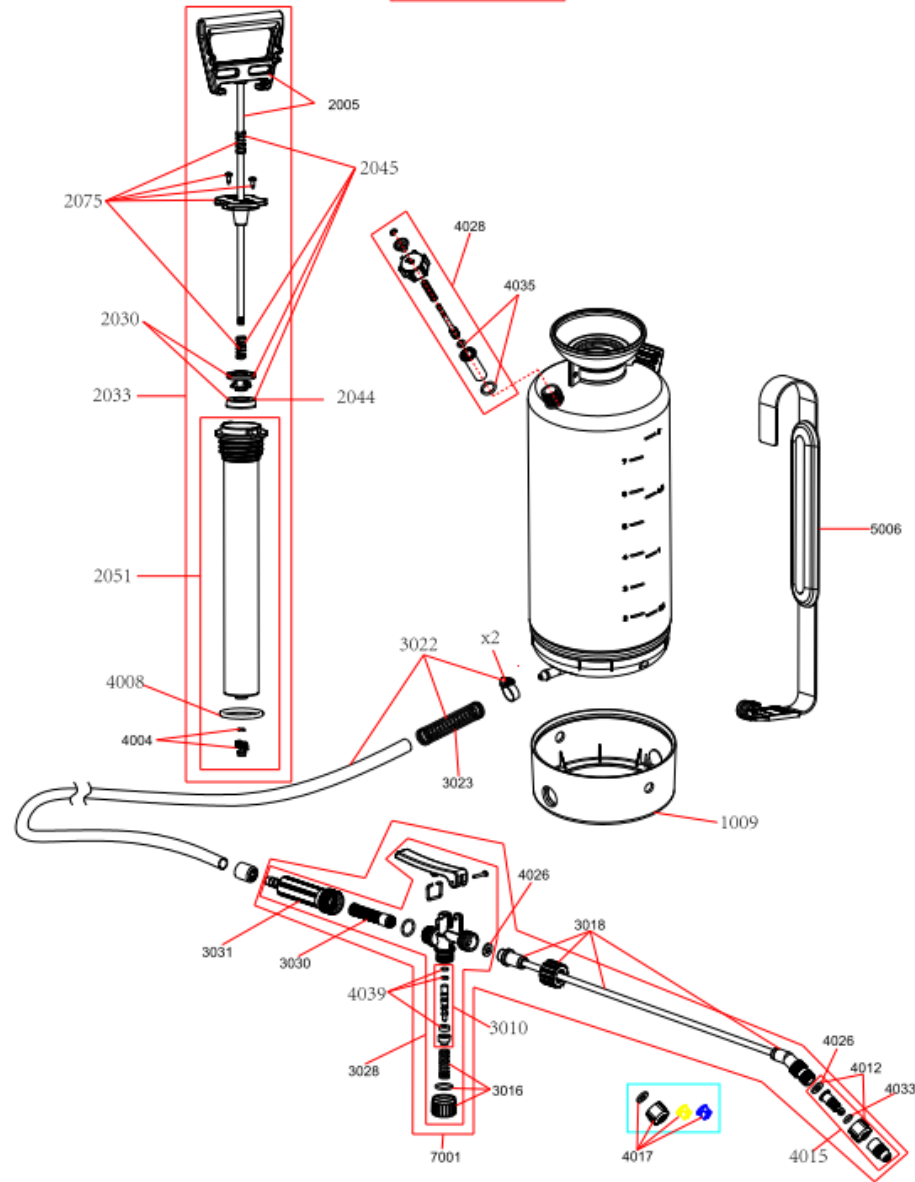




PS 20

GMI151217-PS20



PART LIST

- K1009 RED BASE FOR 2 GALLON ACETONE SPRAYER
- K2005 PUMP HANDLE W/ SS METAL ROD
- K2030 PISTON SEAT
- K2033 COMPLETE PUMP MODULE
- K2044 PUMP PLUNGER
- K2045 PUMP PLUNGER ASSEMBLY SET
- K2051 PUMP TUBE WITH O-RING AND ANTENNA FOR CONSTRUCTIC
- K2075 SCREW SET & SPRING FOR TOP OF PUMP
- K3010 BRASS SPINDLE SET
- K3016 PLUG SET (CAP, SPRING, & O-RING)
- K3018 BRASS SPRAY WAND - 20" (LG, CS, ACT)
- K3022 HOSE SET W/ CLAMPS & PROTECTIVE SPRING
- K3023 PROTECTIVE HOSE SPRING
- K3028 SPRAY GUN WITH BUILT-IN FILTER & GRIP ALL VITON
- K3030 REPLACEMENT FILTER FOR FILTERED SPRAY GUN
- K3031 REPLACEMENT GRIP FOR FILTERED SPRAY GUN
- K4004 CHECK VALVE ANTENNA & O-RING
- K4008 LARGE O-RING FOR CONSTRUCTION PUMP TUBE
- K4012 NOZZLE HOLDER FOR CONSTRUCTION
- K4015 ADJUSTABLE BRASS NOZZLE (HOLDER INCLUDED) -VITON-
- K4017 PLASTIC SPRAY TIP SET (1-11002, 1- 11003)
- K4026 WASHER SET FOR SPRAY GUN - VITON -
- K4026 WASHER SET FOR SPRAY GUN - VITON -
- K4028 PRESSURE RELIEF VALVE FOR PRIMER/SEALANT
- K4033 VITON O-RIN VITON O-RING FOR ADJUSTABLE NOZZLE
- K4035 O-RING SET FOR PRESSURE RELIEF VALVE FOR PRIMER/SE,
- K4039 O-RING, & WASHER SET FOR SPINDLE
- K5006 PADDED SHOULDER STRAP - (1 EACH)
- K7001 UNIVERSAL GUN, WAND, & NOZZLE

ON

ALANT