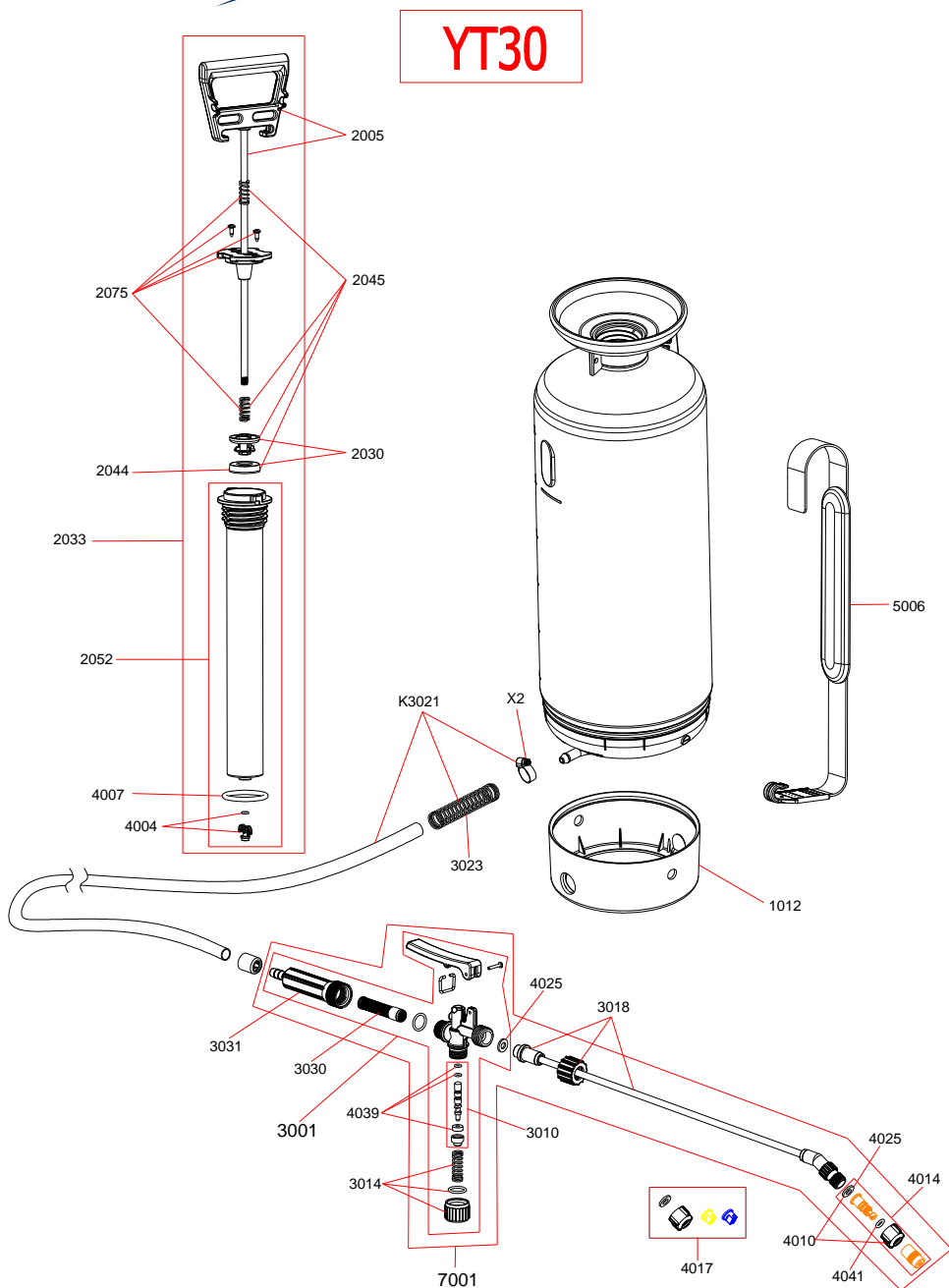


PART LIST



- 1012 BLACK BASE FOR 3 GALLON COMPRESSION SPRAYER
- 2005 PUMP HANDLE W/ SS METAL ROD
- 2030 PISTON SEAT
- 2033 COMPLETE PUMP MODULE
- 2044 PUMP PLUNGER
- 2045 PUMP PLUNGER ASSEMBLY SET
- 2052 PUMP TUBE WITH O-RING AND ANTENNA
- 2075 SCREW SET & SPRING FOR TOP OF PUMP
- 3001 SPRAY GUN WITH BUILT-IN FILTER & GRIP
- 3010 BRASS SPINDLE SET
- 3014 PLUG SET (CAP, SPRING, & O-RING)
- 3018 BRASS SPRAY WAND - 20" (LG, CS, ACT)
- 3021 HOSE SET W/ CLAMPS
- 3023 PROTECTIVE HOSE SPRING
- 3030 REPLACEMENT FILTER FOR FILTERED SPRAY GUN
- 3031 REPLACEMENT GRIP FOR FILTERED SPRAY GUN
- 4004 CHECK VALVE ANTENNA & O-RING
- 4007 LARGE O-RING FOR PUMP TUBE
- 4010 NOZZLE HOLDER
- 4014 ADJUSTABLE BRASS NOZZLE (HOLDER INCLUDED)
- 4017 PLASTIC SPRAY TIP SET (1-11002, 1- 11003)
- 4025 WASHERS FOR SPRAY GUN TO WAND & NOZZLE ATTACHMENT (2)
- 4025 WASHERS FOR SPRAY GUN TO WAND & NOZZLE ATTACHMENT (2)
- 4039 O-RING, & WASHER SET FOR SPINDLE
- 4041 O-RING FOR ADJUSTABLE NOZZLE
- 5006 PADDED SHOULDER STRAP - (1 EACH)
- 7001 UNIVERSAL GUN, WAND, & NOZZLE - FITS ALL SP SPRAYERS