

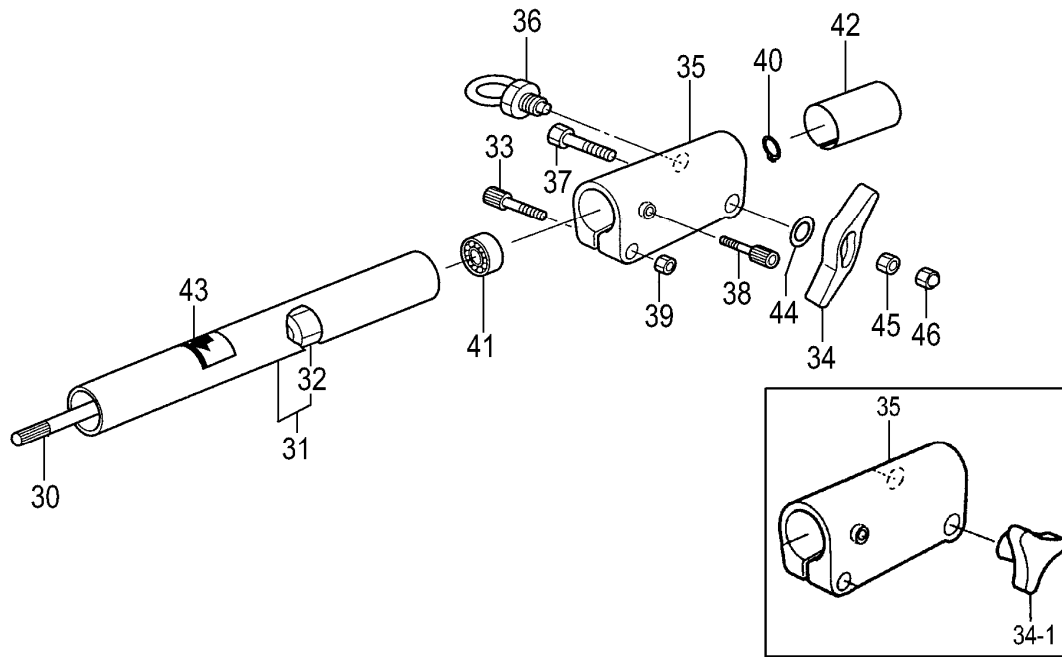
**S36**

***Tanaka***

**EXT-PIPE200/300/300SQ**

**Serial No.**

# S36-01 DRIVE SHAFT(EXT-PIPE & EXT300)



\*\* On column "Q'ty"

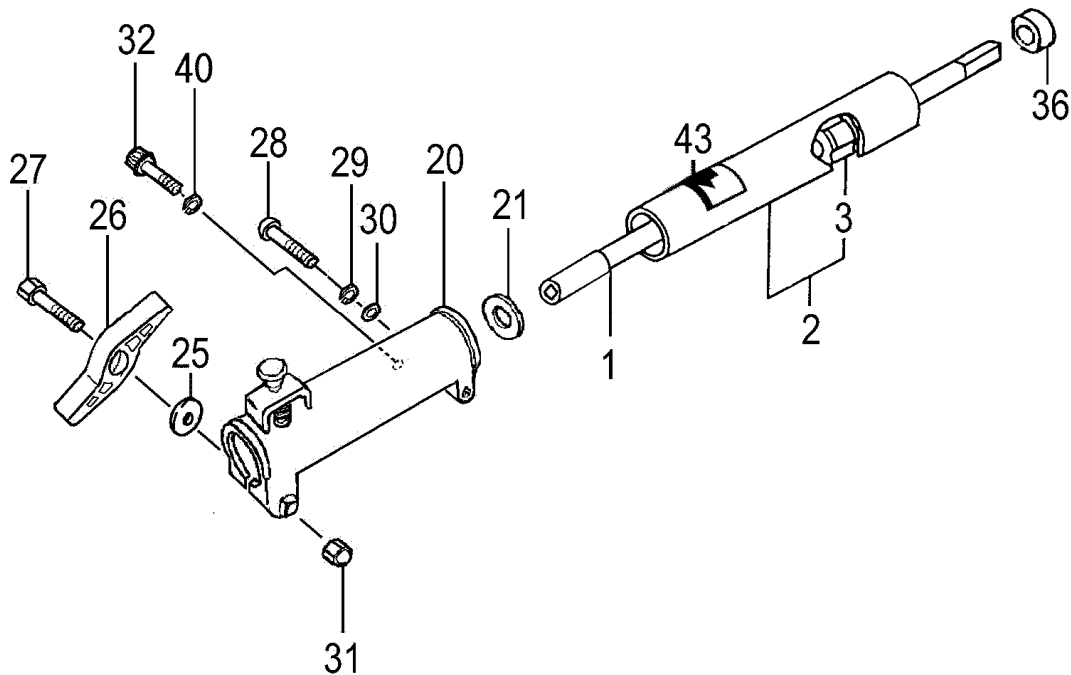
A = Model is Extension pipe

B = Model is EXT-300

\*\* Serial No. is ONLY showing on the Carton box.

REF. NUMBER	PARTS NUMBER	DESCRIPTION	Q'TY		SERIAL NUMBER
			A	B	
<b>S36-01</b>	<b>DRIVE SHAFT (EXT-PIPE &amp; EXT300)</b>				
030	668-9441	DRIVE SHAFT COMP.	1		
030	668-9438	DRIVE SHAFT COMP.		1	
031	668-9309	DRIVE SHAFT PIPE COMP. 600L	1		
031	668-9300	DRIVE SHAFT COMP.900L		1	
032	668-4831	BUSH ASS'Y	1		
032	668-4831	BUSH ASS'Y		2	
033	668-4709	HEX.HOLE BOLT M5X25/S	1	1	
034,1	669-1205	HANDLE KNOB COMP.	1		- 5004220
034	668-4823	HANDLE KNOB	1	1	5004221 -
035	668-8517	JOINT CASE	1	1	
036	668-9601	LOCK PIN COMP.	1	1	
037	669-4992	BOLT 6X35	1		- 5004220
037	668-4824	HEX.BOLT 6X50	1	1	5004221 -
038	669-5042	HEX. HOLE BOLT 5X10	1	1	
039	668-5075	NUT M5 (BLACK)	1	1	
040	668-4821	STOP RING C-10, OUTER	1	1	
041	669-5578	BALL BEARING 6900ZZ, 22MM/OD	1	1	
042	668-9530	COLLAR B	1	1	
043	668-4851	LEVEL MARK	1	1	
044	668-4642	CLUTCH WASHER B	1	1	
045	668-4792	NUT M6	1	1	5004221 -
046	668-4828	CAP NUT 6	1	1	5004221 -

# S36-02 DRIVE SHAFT (EXT300SQ)



REF. NUMBER	PARTS NUMBER	DESCRIPTION	Q'TY		SERIAL NUMBER
			A	B	
<b>S36-02 DRIVE SHAFT (EXT300SQ)</b>					
001	668-5987	DRIVE SHAFT A L=935	1		
002	668-9301	DRIVE SHAFT COMP. L=900	1		
003	668-4831	BUSH ASS'Y	3		
020	668-4817	JOINT CASE	1		
021	668-4818	SPACER 1.6	1		
025	668-4822	SPECIAL WASHER B	1		
026	668-4823	HANDLE KNOB	1		
027	668-4824	HEX.BOLT 6X50	1		
028	668-4825	HEX. SOCKET HD. BOLT (W/BUT)	1		
029	668-4834	SPRING WASHER 5	1		
030	668-4827	SMALL WASHER 6 BLACK	1		
031	668-4828	CAP NUT 6	1		
032	668-4829	HEX. SOCKET HD. BOLT M5X12	1		
036	668-4833	BUSHING	1		
040	668-4826	S.WASHER 6	1		
043	668-4851	LEVEL MARK	1		