

Tanaka Illustrated Parts Manual

Model Number:

748502

Dual Handle Kit

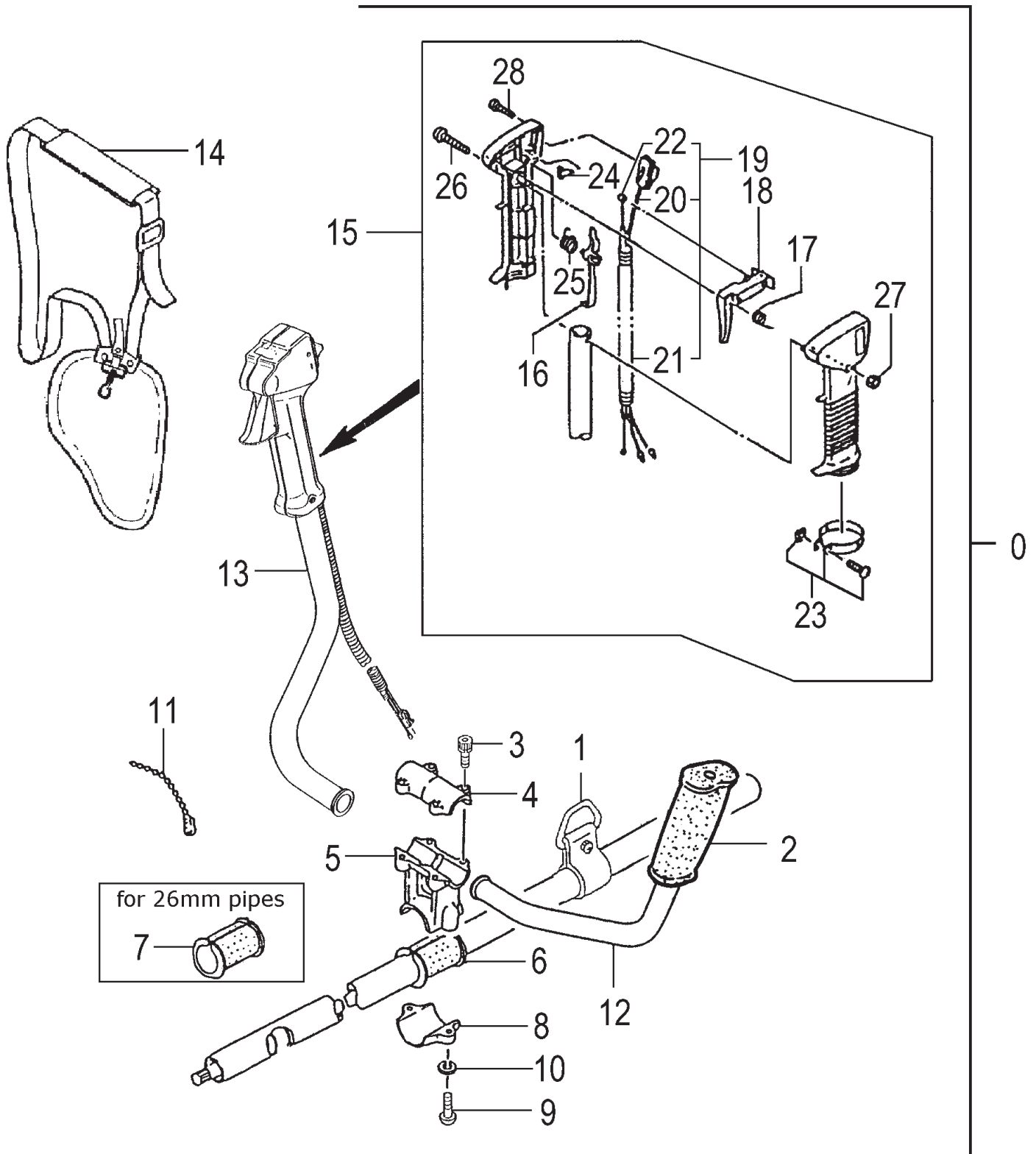
P/N n/a

Rev 000

Date 5-3-07



Nikko Tanaka Engineering U.S.A.,Ltd. • 1028 4th Street SW, Bldg B • Auburn, WA 98001 • Phone: (253) 333-1200 • Fax: (253) 333-1212



ITEM	PART NUMBER	DESCRIPTION	QTY	COMMENTS
0	748502	DUAL HANDLE KIT	1	
1-1	33537526900	METAL,LIFTING SS-175	1	
1-2	1653759020	GRIP,HANDLE	1	
1-3	99461050254	BOLT,HEX HOLE,5X25S	4	
1-4	50637623200	BRACKET,HANDLE,A	1	
1-5	50737623200	BRACKET,HANDLE,B	1	
1-6	51037304201	RUBBER,BRACKET,26mm	1	
1-7	5103735220	CUSHION,RUBBER,26mm	1	
1-8	50837623200	BRACKET,HANDLE,C	1	
1-9	99053060253	BOLT,HEX,6X25	2	
1-10	99210060062	WASHER,S,6	2	
1-11	4603311120	CLAMP,B	1	
1-12	5023367421	HANDLE,LEFT	1	
1-13	5013715520	HANDLE,RIGHT	1	
1-14	746291	SHOULDER HARNESS ASSY	1	
1-15	87037260901	THROTTLE LEVER ASSY W/WIRES	1	
1-16	2533746620	LEVER,SAFETY	1	
1-17	8323741120	SPRING,RETURN	1	
1-18	8803746620	ARM,THROTTLE	1	
1-19	8873726080	WIRE,THROTTLE B	1	
1-20	1563726080	BUTTON,STOP	2	
1-21	1640708580	TUBE,PROTECTION,7x858	1	
1-22	8853726080	WIRE,THROTTLE	1	
1-23	8893741190	BAND,THROTTLE LEVER	1	
1-24	9563741120	BUTTON,LOCK	1	
1-25	9583741120	SPRING,LOCK BUTTON	1	
1-26	99011050354	SCREW,5X35	1	
1-27	99101050043	NUT,5	1	
1-28	99342040182	SCREW,TAPPING 4X18	1	