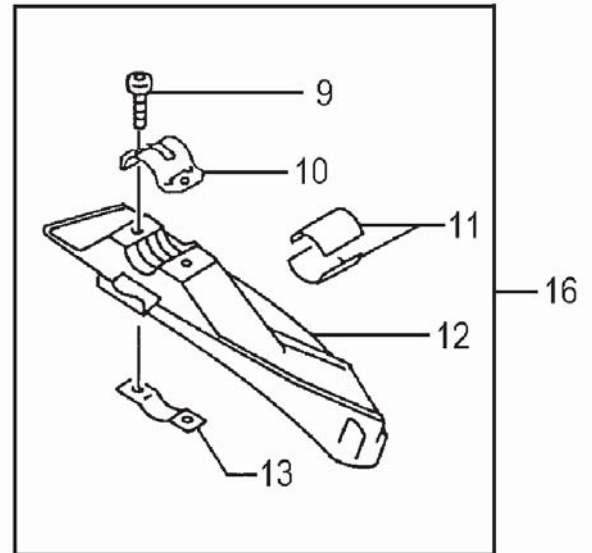
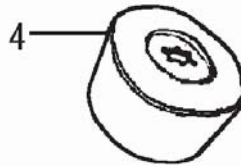
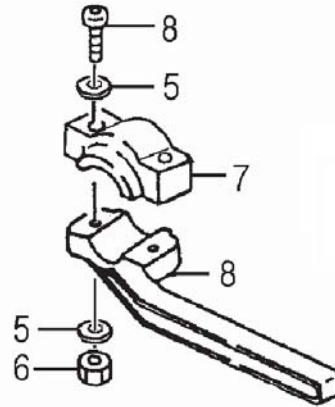




**Single Shoulder Strap**  
Model#: 746191



**WARNING!** Read the owners manual and follow all warnings and safety instructions. Failure to do so can result in serious injury to the operator and/or bystanders. Never attempt to mount a steel blade to a machine that is not specifically designed for that purpose. Never attempt to mount a steel blade without using all components of the blade attachment kit, including shoulder strap and barrier safety bar.

ITEM	PART NUMBER	DESCRIPTION	QTY	COMMENTS
4	3113844020	CAP,CUTTER HOLDER	1	Kit used on TBC-225, 230, 245PF, 2500, TBC-225S, TBC-255PF
5	99201060061	WASHER,6	4	
6	99101060041	NUT,6	2	
7	5063730020	BRACKET,HANDLE,A	1	
8	5203727720	BARRIER BAR 24MM	1	
9	99053060403	BOLT,HEX,6X40	2	
10	4423369921	BRACKET,SAFETY GUARD	1	
11	44437609200	SPACER,BRACKET	2	
12	4413738020	GUARD,SAFETY	1	
13	4453738020	HOLDER,GUARD	1	
14	3133754720	NUT,FIXING L.H. 8X1.25	1	
15	3273718090	PIN,COTTER 2X20 (10 PACK)	1	
16	30060	KIT,BLADE GUARD	1	Includes mounting bracket/hardware
18	746191	STRAP,SHOULDER,PSS-175	1	