

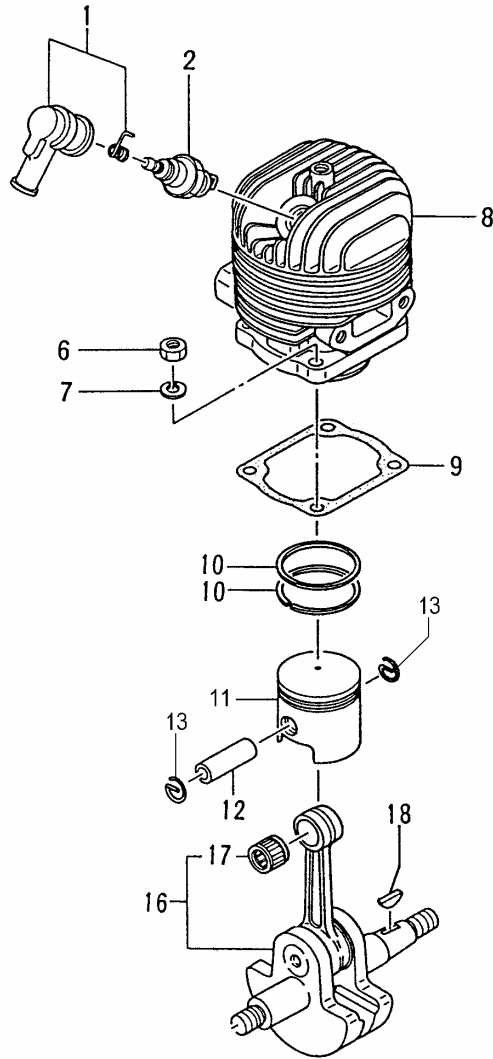
**S08**

***Tanaka***

**TBL-4600**

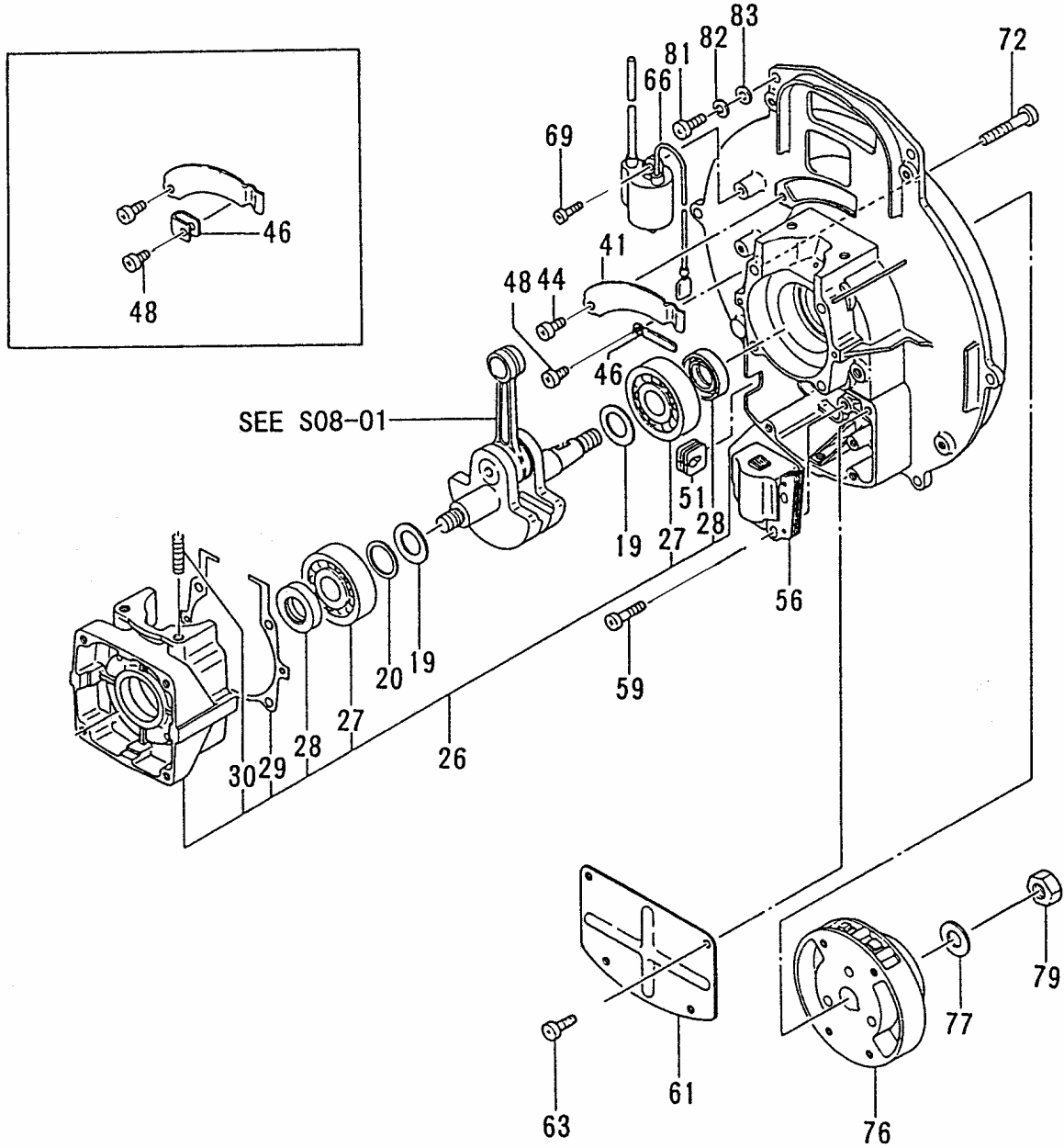
**Serial No . -Y271800**

# S08-01 CYLINDER/PISTON/CRANK SHAFT



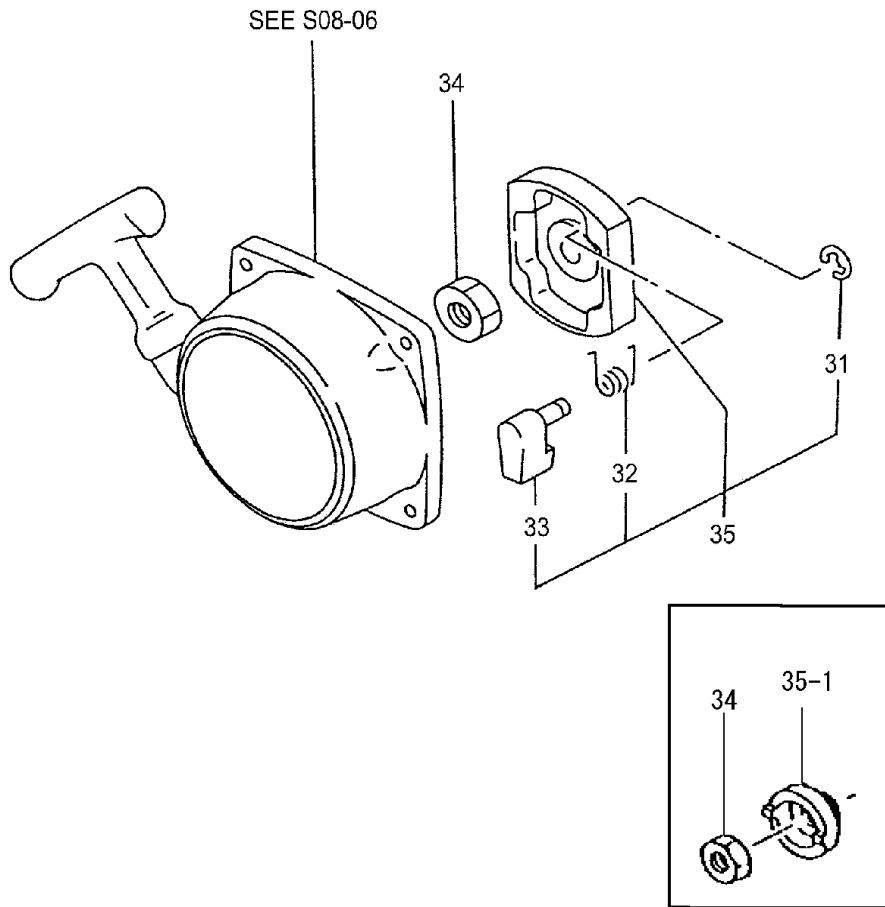
REF. NUMBER	PARTS NUMBER	DESCRIPTION	Q'TY	SERIAL NUMBER
<b>S08-01 CYLINDER/PISTON/CRANK SHAFT</b>				
001	668-7468	SPARK PLUG CAP ASS'Y	1	
002	668-5778	SPARK PLUG BM-7A	1	
006	668-4792	NUT M6	4	
007	669-5219	S.WASHER 6	4	
008	668-5550	CYLINDER	1	
009	668-5727	CYLINDER GASKET	1	
010	668-6128	PISTON RING	2	
011	668-5940	PISTON COMP.	1	
012	668-6007	PISTON PIN 10X30	1	
013	668-6032	PISTON PIN CIRCLIP	2	
016	668-6194	CRANK SHAFT COMP.	1	
017	669-5596	NEEDLE BRG F1010B 1.4X8.6	1	
018	668-6457	WOOD-RUFF KEY 3X13X5	1	

# S08-02 CRANK CASE



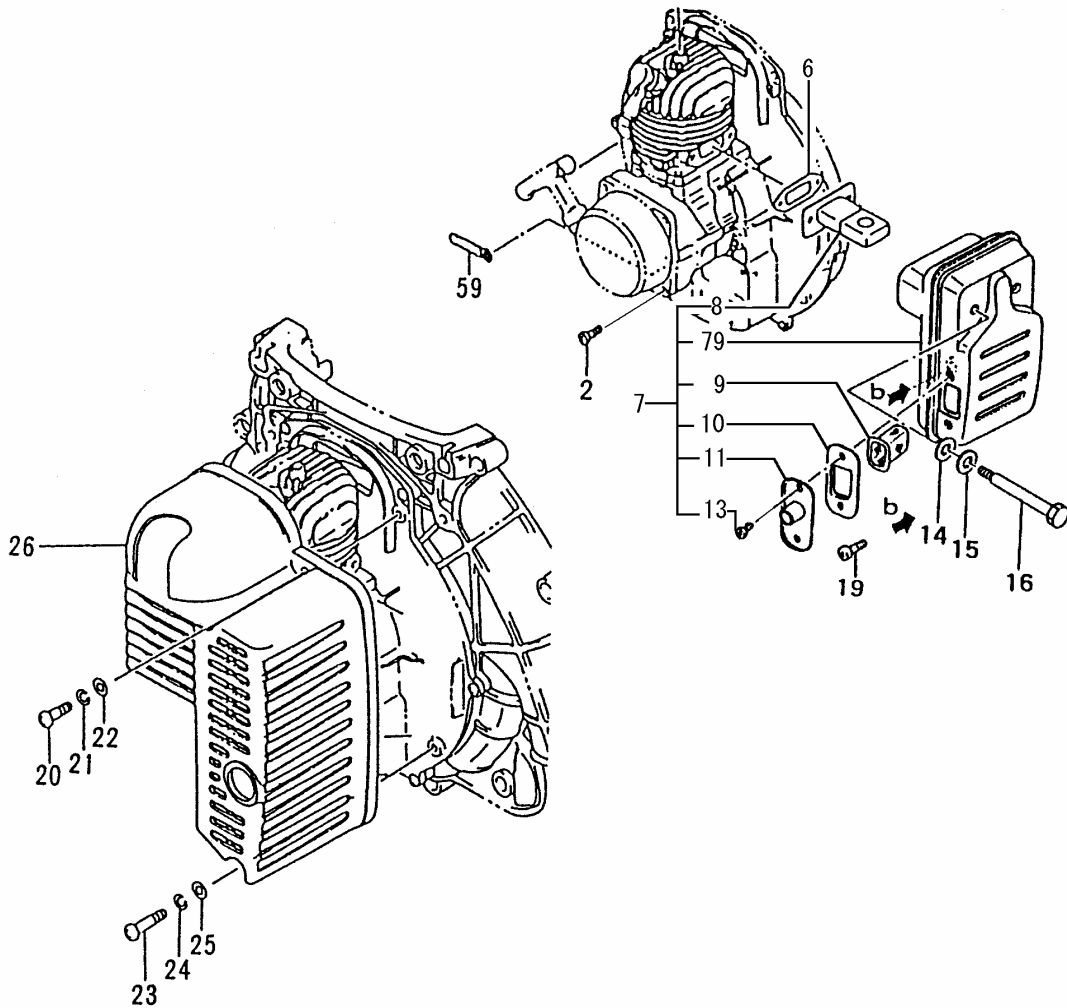
REF. NUMBER	PARTS NUMBER	DESCRIPTION	Q'TY	SERIAL NUMBER
<b>S08-02 CRANK CASE</b>				
019	668-6464	CRANK SHAFT WASHER	2	
020	668-6476	CRANK SHAFT SHIM 0.05	V	
020	668-6477	CRANK SHAFT SHIM 0.10	V	
020	668-6478	CRANK SHAFT SHIM 0.15	V	
020	668-6479	CRANK SHAFT SHIM 0.20	V	
020	668-6480	CRANK SHAFT SHIM 0.30	V	
026	668-6563	CRANK CASE ASS'Y	1	
027	669-5572	BALL BEARING #6303ZZ, 47MM/OD	2	
028	669-5648	OIL SEAL UE17307	2	
029	668-6716	CRANK CASE GASKET	1	
030	668-6778	STUD BOLT 6X26	4	
041	669-2263	CASE PLATE	1	
044	669-5333	SCREW 5X10/S	1	
046	668-8004	CORD CLAMP COMP.	1	
048	669-5319	SCREW 5X10/P	1	
051	668-8050	GROMMET	1	
056	668-7509	EXCITER COMP.	1	
059	669-5422	SCREW 5X22/WS	2	
061	668-7983	COIL COVER	1	
063	669-5333	SCREW 5X10/S	4	
066	668-7692	IGNITION COIL COMP.	1	
069	669-5373	SCREW 4X15PS	2	
072	669-5365	SCREW 6X35/S	4	
076	668-7390	MAGNETO ROTOR COMP.	1	
077	669-5185	SMALL WASHER 10	1	
079	669-5138	NUT 10	1	
081	669-4888	SCREW 5X15	6	
082	668-4662	S.WASHER 5	6	
083	668-4864	SMALL WASHER 5	6	

# S08-03 STARTER PULLEY



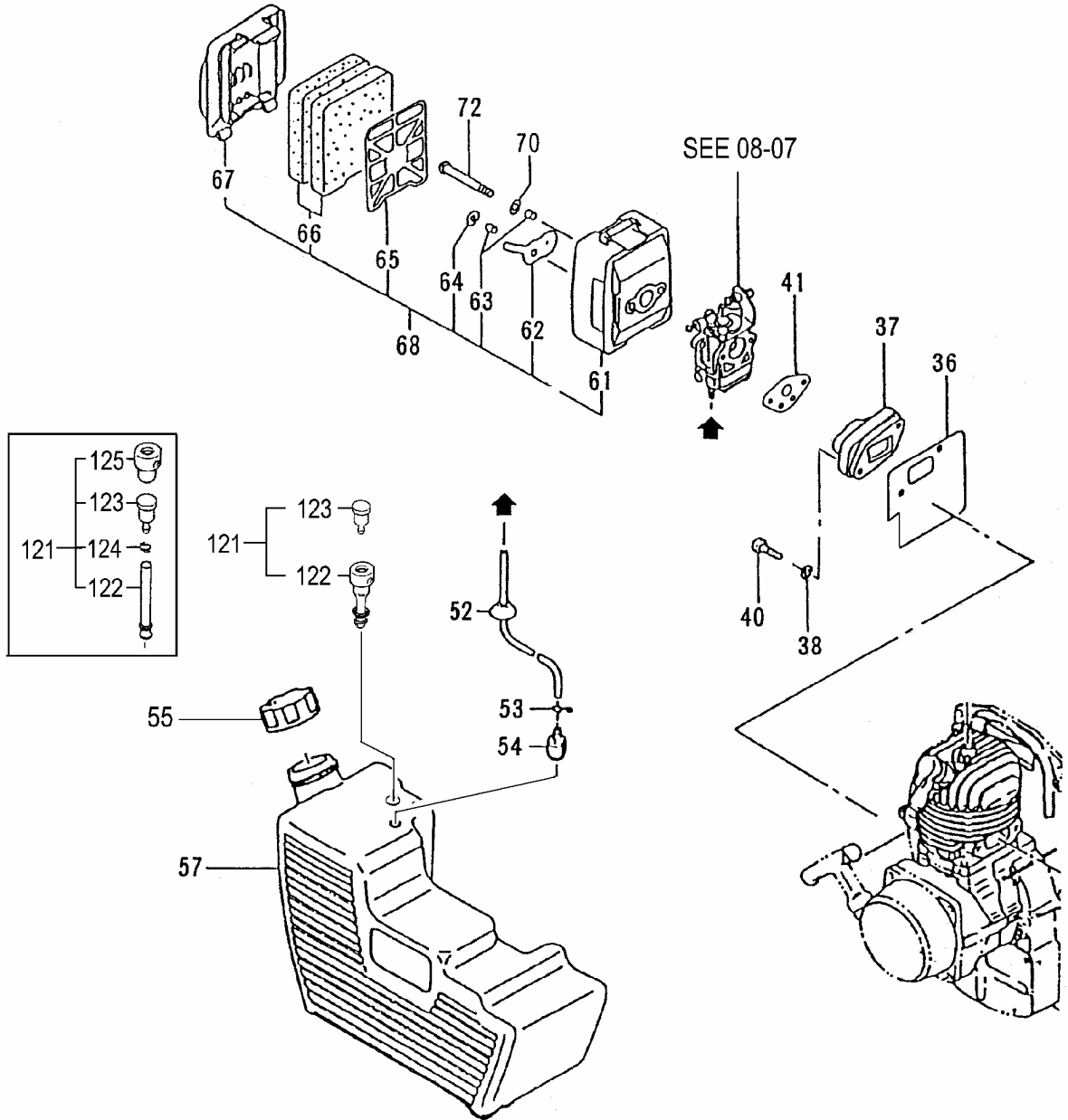
REF. NUMBER	PARTS NUMBER	DESCRIPTION	Q'TY	SERIAL NUMBER
<b>S08-03 STARTER PULLEY</b>				
031	668-4683	STOP RING E-5	1	R068718 -
032	669-3345	STARTER PAWL SPRING	1	R068718 -
033	669-3302	STARTER PAWL	1	R068718 -
034	669-5139	SMALL NUT 10	1	
035,1	669-3397	STARTER PULLEY	1	- R068717
035	669-3395	STARTER PULLEY	1	R068718 -

# S08-04 ENGINE-1



REF. NUMBER	PARTS NUMBER	DESCRIPTION	Q'TY	SERIAL NUMBER
<b>S08-04 ENGINE-1</b>				
002	668-4967	SCREW	4	
006	669-2742	MUFFLER GASKET	1	
007	669-2529	MUFFLER ASS'Y	1	
008	669-2642	MUFFLER PIPE COMP.	1	
009	669-2697	SPARK ARRESTER	1	
010	669-2885	TAIL PIPE GASKET	1	
011	669-2653	TAIL PIPE COMP.	1	
013	669-5327	SCREW 4X10/S	2	
014	669-2884	MUFFLER SPECIAL GASKET	2	
015	668-4611	WASHER M8	2	
016	669-2881	MUFFLER BOLT	2	
019	669-5327	SCREW 4X10/S	2	
020	669-4891	SCREW 5X18	2	
021	668-4662	S.WASHER 5	2	
022	668-4864	SMALL WASHER 5	2	
023	669-4934	SCREW 6X20	1	
024	669-5219	S.WASHER 6	1	
025	669-5183	SMALL WASHER 6	1	
026	669-2786	MUFFLER PROTECTOR A	1	
059	668-8004	CORD CLAMP COMP.	1	
079	669-2558	MUFFLER COMP.	1	

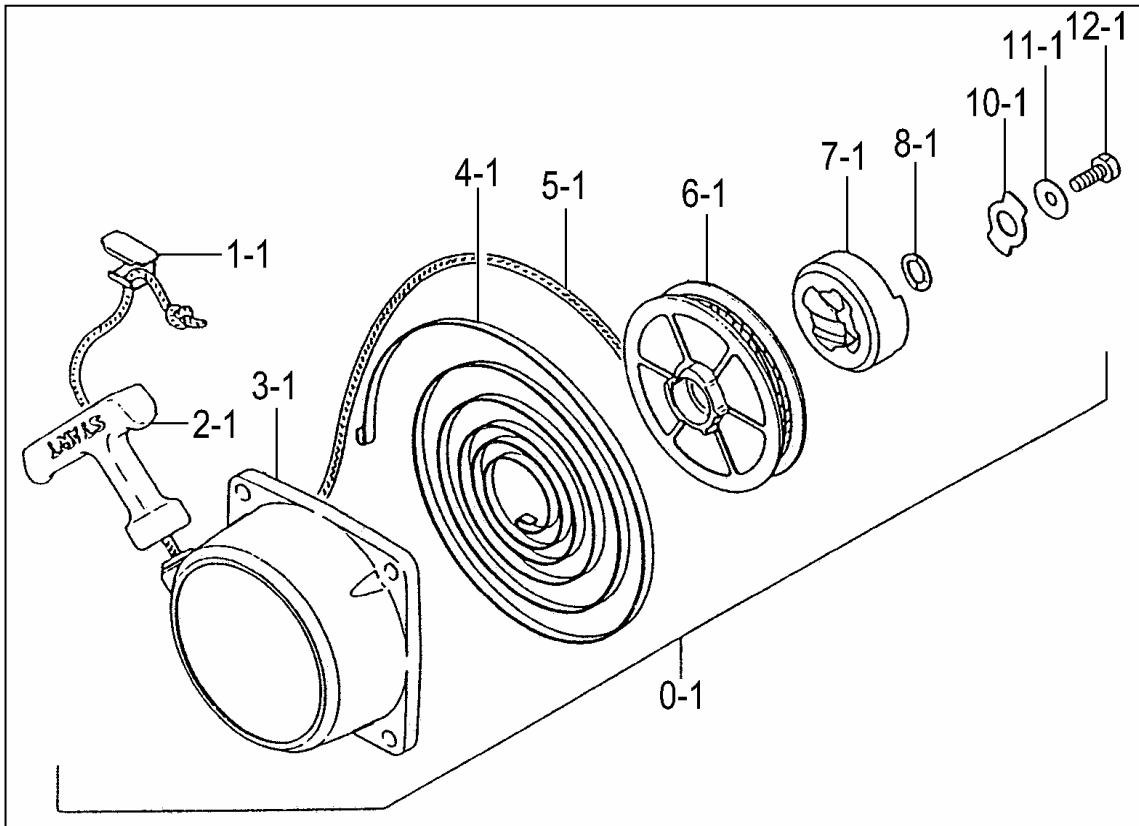
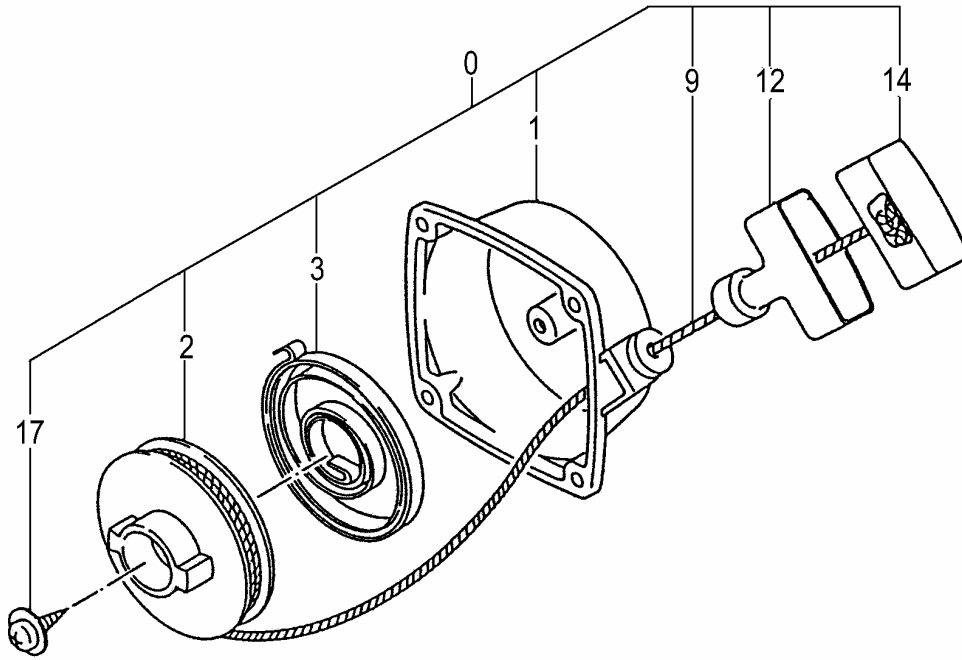
# S08-05 ENGINE-2



REF. NUMBER	PARTS NUMBER	DESCRIPTION	Q'TY	SERIAL NUMBER
<b>S08-05 ENGINE-2</b>				
036	668-9888	INLET MANIFOLD GASKET	1	
037	668-9958	CARBURETOR INSULATOR COM	1	
038	668-4864	SMALL WASHER 5	2	
040	669-5343	SCREW 5X25/S	2	
041	668-4615	CARBURETOR GASKET	1	
052	668-8172	FUEL PIPE ASS'Y 3X5X280	1	
053	669-2311	CLIP 5.2	1	
054	669-2273	PUMP FILTER BODY ASS'Y	1	
055	669-1751	TANK CAP D ASS'Y,ORANGE	1	- T236710
055	669-1724	TANKA CAP ASS'Y,BLACK	1	T236711 -
057	669-1542	FUEL TANK COMP.	1	- R068717
057	669-1543	FUEL TANK COMP.	1	- T236710
057	669-7083	FUEL TANK COMP,VERMILON		T236711 -
061	669-0105	AIR CLEANER BODY	1	
062	669-1252	CHOKE VALVE	1	
063	668-4858	COLLAR	2	
064	668-4859	SPACER	1	
065	668-4860	BLOW OVER CHECK BOARD	1	
066	668-4861	CLEANER SPONGE	2	
067	669-0153	CLEANER CAP	1	
068	669-0028	AIRCLEANER ASSY, CAA-37	1	
070	668-4864	SMALL WASHER 5	2	
072	669-5353	SCREW 5X57/S	2	
121	669-1389	AIR VENT	1	T236711 -
122	669-1395	AIR VENT PIPE	1	T236711 -
123	669-2171	AIR VENT VALVE ASS'Y	1	T236711 -
124	669-2305	CLIP 5.5	1	T236711 -
124	669-2305	CLIP 5.5	1	- V129070
125	669-1369	AIR VENT RUBBER CAP	1	T236711 -
125	669-1369	AIR VENT RUBBER CAP	1	- V129070

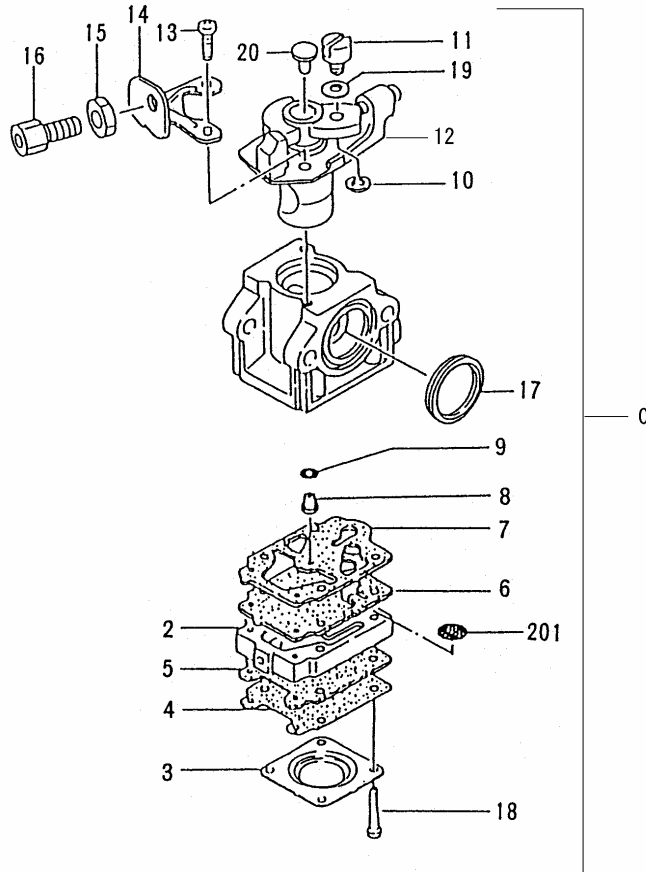


# S08-06 RECOIL STARTER



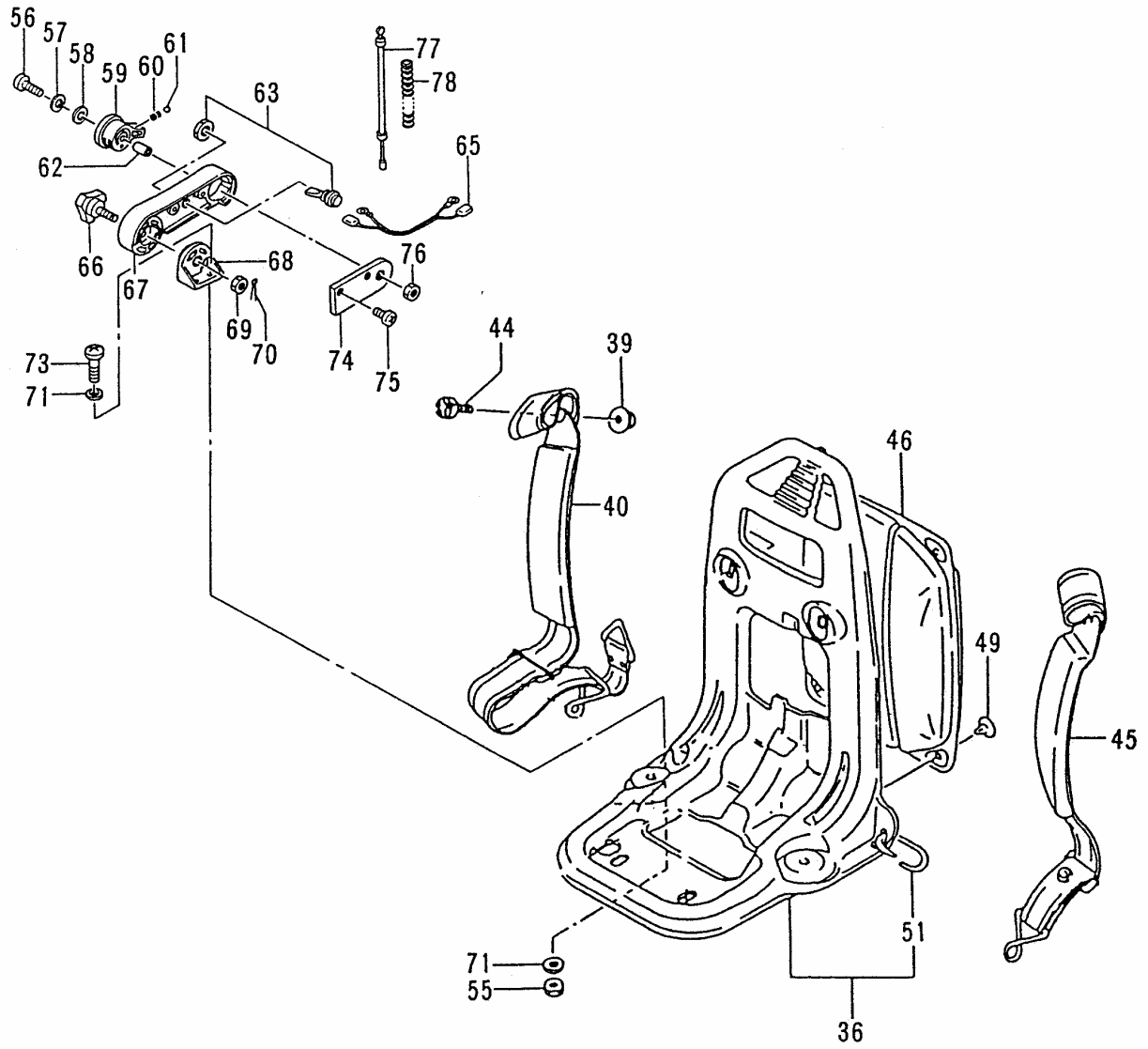
REF. NUMBER	PARTS NUMBER	DESCRIPTION	Q'TY	SERIAL NUMBER
<b>S08-06 RECOIL STARTER</b>				
000,1	669-2974	RECOIL STARTER BODY ASS'Y	1	- R068717
000	669-2970	RECOIL STARTER BODY ASS'Y	1	R068718 -
001,1	NLA	No Longer Available	1	
002,1	669-3233	STARTER HANDLE	1	
003,1	669-3028	RECOIL STARTER BODY COMP.	1	
004,1	669-3116	RECOIL SPRING	1	
005,1	669-3166	STARTER ROPE	1	
006,1	669-3008	STARTER ROPE REEL	1	
007,1	669-3308	STARTER PAWL	1	- Q090510
007,1	669-3309	STARTER PAWL	1	Q090511 -
008,1	669-3420	STARTER REEL WASHER	1	
010,1	669-3625	FRICION PLATE	1	- Q090510
010,1	669-3626	FRICION PLATE	1	Q090511 -
011,1	669-3565	STARTER REEL SHIM	1	- Q090510
011,1	669-3566	STARTER REEL SHIM	1	Q090511 -
012,1	NLA	No Longer Available	1	
001	669-3025	RECOIL STARTER BODY COMP.	1	
002	669-3007	STARTER ROPE REEL	1	
003	669-3114	RECOIL SPRING	1	
009	669-3165	STARTER ROPE	1	
012	669-3232	STARTER HANDLE	1	
014	669-3607	STARTER HANDLE CAP	1	
017	669-3634	SET SCREW	1	

# S08-07 CARBURETOR



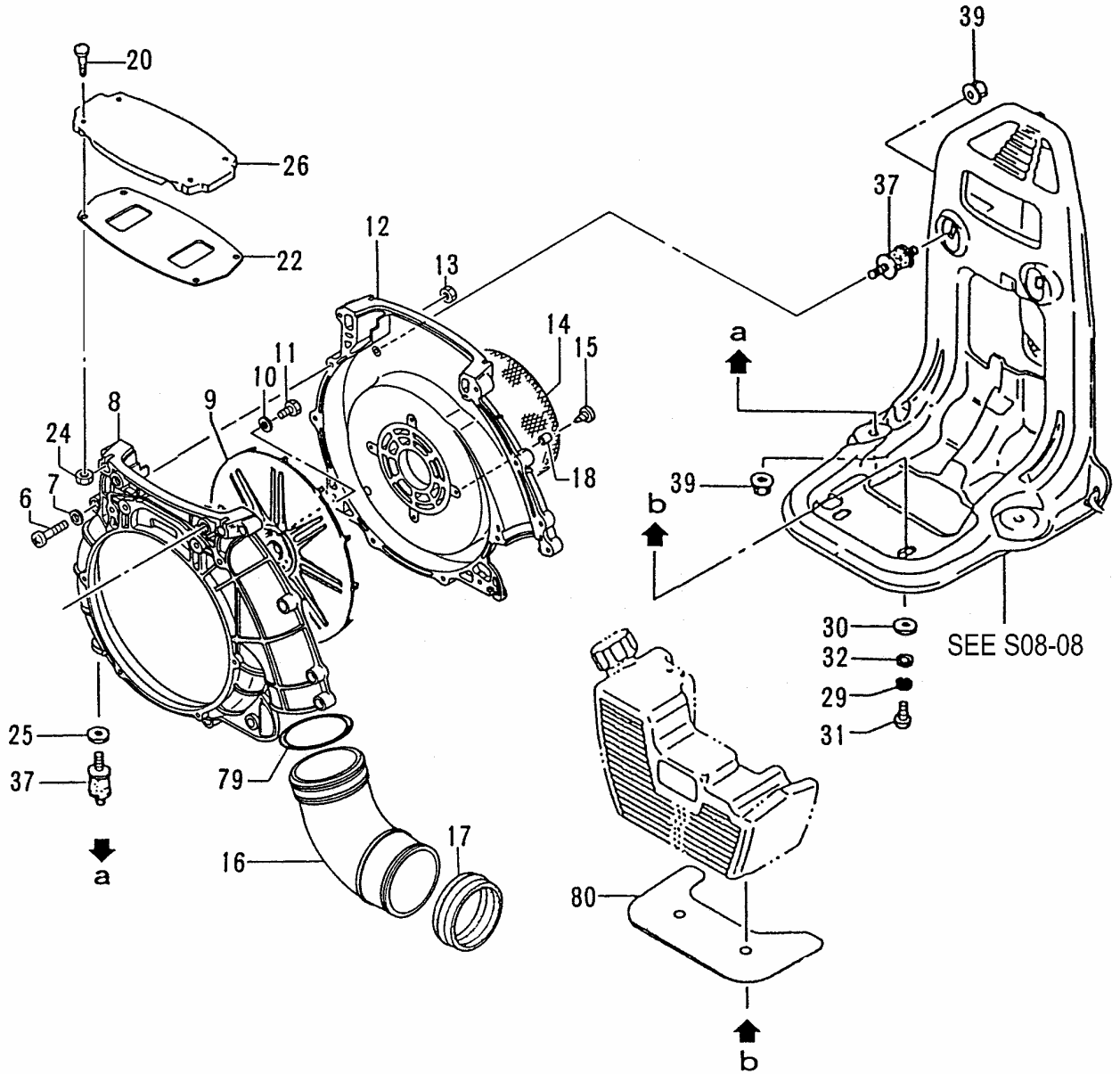
REF. NUMBER	PARTS NUMBER	DESCRIPTION	Q'TY	SERIAL NUMBER
<b>S08-07 CARBURETOR</b>				
000	669-0643	CARBURETOR ASS'Y,WYJ-132	1	
002	669-1432	PUMP BODY COMP.	1	
003	668-5222	DIAPHRAGM COVER	1	
004	669-0827	METERING DIAPHRAGM COMP.	1	
005	668-5220	DIAPHRAGM PACKING	1	
006	668-4693	PUMP DIAPHRAGM	1	
007	669-1457	PUMP GASKET	1	
008	669-1856	MAIN JET #56	1	- R154730
008	669-1853	MAIN JET #48	1	R154731 -
009	668-4695	O-RING	1	
010	668-4696	STOP RING	1	
011	668-4697	SWIVEL	1	
012	669-0939	THROTTLE VALVE COMP.	1	- R154730
013	668-4870	THROTTLE SET SCREW	2	
014	668-4873	CABLE ADJUSTER STAY	1	
015	669-2005	CABLE ADJUST NUT	1	
016	668-4871	CABLE ADJUSTER	1	
017	668-4875	CLEANER PACKING	1	
018	669-1312	SET SCREW	4	
019	668-4874	THRUST WASHER	1	
020	669-1288	PLUG	1	- R154730
201	668-4700	INLET SCREEN	1	
	669-2189	CARB. REPAIR KIT, K1-WYJ	1	

# S08-08 FRAME



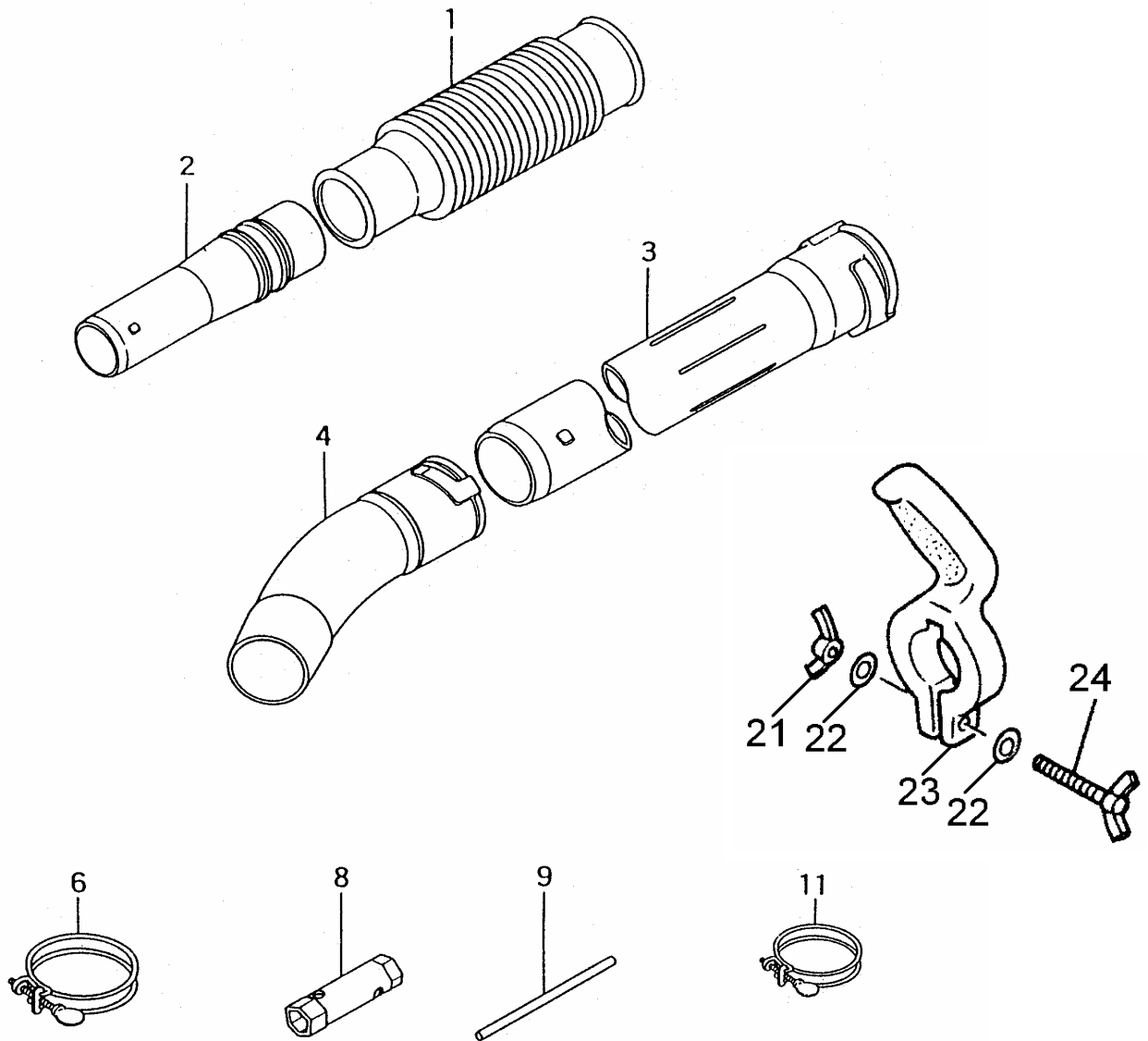
REF. NUMBER	PARTS NUMBER	DESCRIPTION	Q'TY	SERIAL NUMBER
<b>S08-08 FRAME</b>				
036	668-5803	FRAME COMP., BLACK	1	
039	668-5862	SEPCIAL NUT 6	2	
040	668-5791	SHOULDER BELT COMP., LEFT	1	- T056204
040	668-5819	SHOULDER BELT COMP.	2	T056205 -
044	669-4961	TRUSS SCREW 6X16	2	
045	668-5818	SHOULDER BELT COMP.,RIGHT	1	- T056204
046	668-5812	CUSHION PAD	1	
049	668-6241	FASTENER	4	
051	668-6140	HOLDING RING	2	
055	669-5164	NYLON LOCK NUT 6	2	
056	669-4938	SCREW 6X25	1	
057	669-5219	S.WASHER 6	1	
058	669-5183	SMALL WASHER 6	1	
059	668-8387	THROTTLE LEVER	1	
060	668-9248	THROTTLE LEVER SPRING	1	
061	668-9249	STEEL BALL	1	
062	668-8341	COLLAR	1	
063	668-7501	STOP SWITCH ASS'Y	1	
065	669-7033	STOP CORD COMP.	1	
066	668-9262	KNOB	1	
067	668-8322	THROTTLE LEVER ARM	1	
068	668-6053	THROTTLE LEVER BRACKET,BLA	1	
069	669-5165	NYLON LOCK NUT 8	1	
070	669-5241	SPLIT PIN 2X15	1	
071	668-4639	WASHER 6	4	
073	669-4934	SCREW 6X20	2	
074	668-8291	THROTTLE LEVER ARM COVER	1	
075	669-5245	TAPPING SCREW 4X10	2	
076	668-4792	NUT M6	1	
077	669-3892	THROTTLE WIRE COMP.	1	
078	668-7566	SPLIT PROTECTION TUBE 10X20	1	

# S08-09 BLOWER



REF. NUMBER	PARTS NUMBER	DESCRIPTION	Q'TY	SERIAL NUMBER
<b>S08-09 BLOWER</b>				
006	669-4901	SCREW 5X35	13	
007	668-4864	SMALL WASHER 5	13	
008	668-5600	FANCASE E COMP.OR	1	
009	668-7170	FAN	1	
010	669-5221	S.WASHER 6	3	
011	669-4991	BOLT 6X30	3	
012	668-5634	FAN CASE S	1	
013	669-5120	NUT 5	13	
014	668-6260	PROTECTION NET	1	
015	669-5254	TAPPING SCREW 5X20	4	
016	668-8423	BLOW PIPE	1	
017	668-6784	PIPE BAND	1	
018	668-6375	COLLAR	4	- Y077951
020	669-4940	SCREW 6X30	4	
022	669-1701	OIL SHEET GASKET	1	
024	668-4792	NUT M6	4	
025	668-5863	SPECIAL NUT 6	2	
026	668-6319	FANCASE COVER	1	
029	669-5219	S.WASHER 6	2	
030	668-4639	WASHER 6	2	
031	669-4930	SCREW 6X16	2	- R068717
031	669-4932	SCREW 6X18	2	R068718 -
032	668-5855	SPECIAL WASHER 3.2	2	R068718 -
037	668-5907	CUSHION RUBBER	4	
039	668-5862	SEPCIAL NUT 6	4	
079	669-5686	O-RING V-70	1	
080	669-1957	FUEL TANK MOUNTING BASE	1	R068718 -

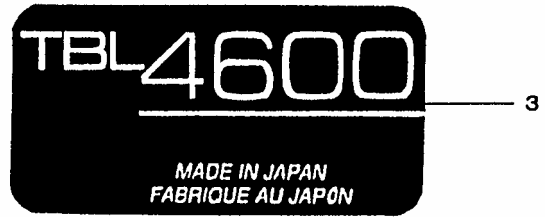
# S08-10 TOOLS AND OPTIONAL PARTS



REF. NUMBER	PARTS NUMBER	DESCRIPTION	Q'TY	SERIAL NUMBER
<b>S08-10 TOOLS AND OPTIONAL PARTS</b>				
001	668-6796	FLEXIBLE PIPE	1	
002	668-6814	SWIVEL PIPE	1	
003	668-6819	STRAIGHT PIPE (LONG)	1	
004	668-6824	BENT PIPE, BLACK	1	
006	668-6872	WIRE CLAMP 95	1	
008	669-7183	BOX SPANNER 17*19	1	
009	669-4822	HANDLE 8X120	1	
011	668-6883	WIRE CLAMP 78	1	
021	669-5154	WING NUT 6	1	S278581 -
022	668-4639	WASHER 6	1	S278581 -
023	668-8298	GRIP, 60 DIA.	1	S278581 -
024	669-5096	WING BOLT 6X50	1	S278581 -

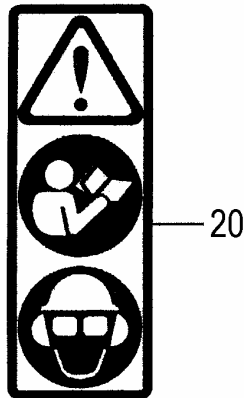


# S08-11 LABELS



**IMPORTANT!!**  
 Wash cleaner element in warm soapy water and squeeze, air dry. Then saturate the sponge in 2 cycle oil or the equivalent, squeeze the sponge to distribute the oil completely and to remove excess oil.

**WARNING:** Manufactured with 1,1,1-trichloroethane, a substance which harms public health and environment by destroying ozone in the upper atmosphere.



REF. NUMBER	PARTS NUMBER	DESCRIPTION	Q'TY	SERIAL NUMBER
<b>S08-11 LABELS</b>				
001	N/A	Not Available	1	
003	N/A	Not Available	1	
006	N/A	Not Available	1	R154731 -
010	N/A	Not Available	1	- R068717
020	N/A	Not Available	1	R154731 -