

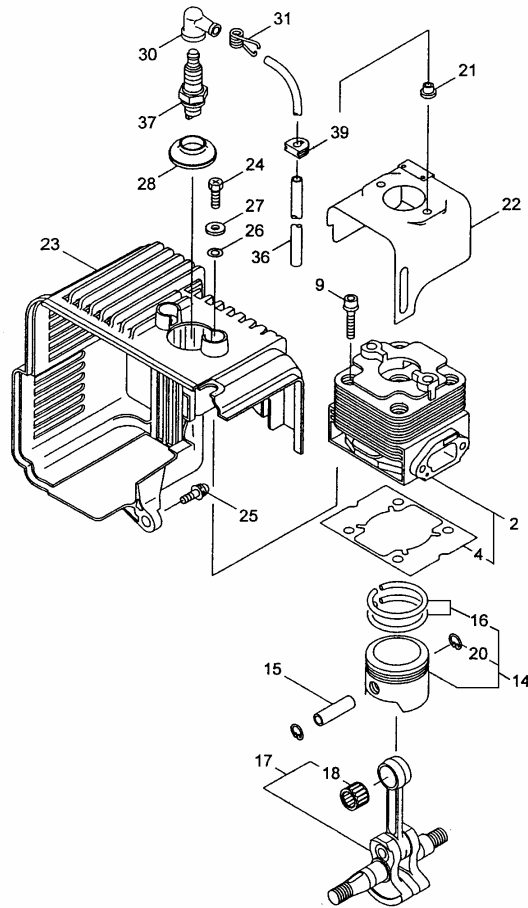
S31

Tanaka

TBL-7600/R

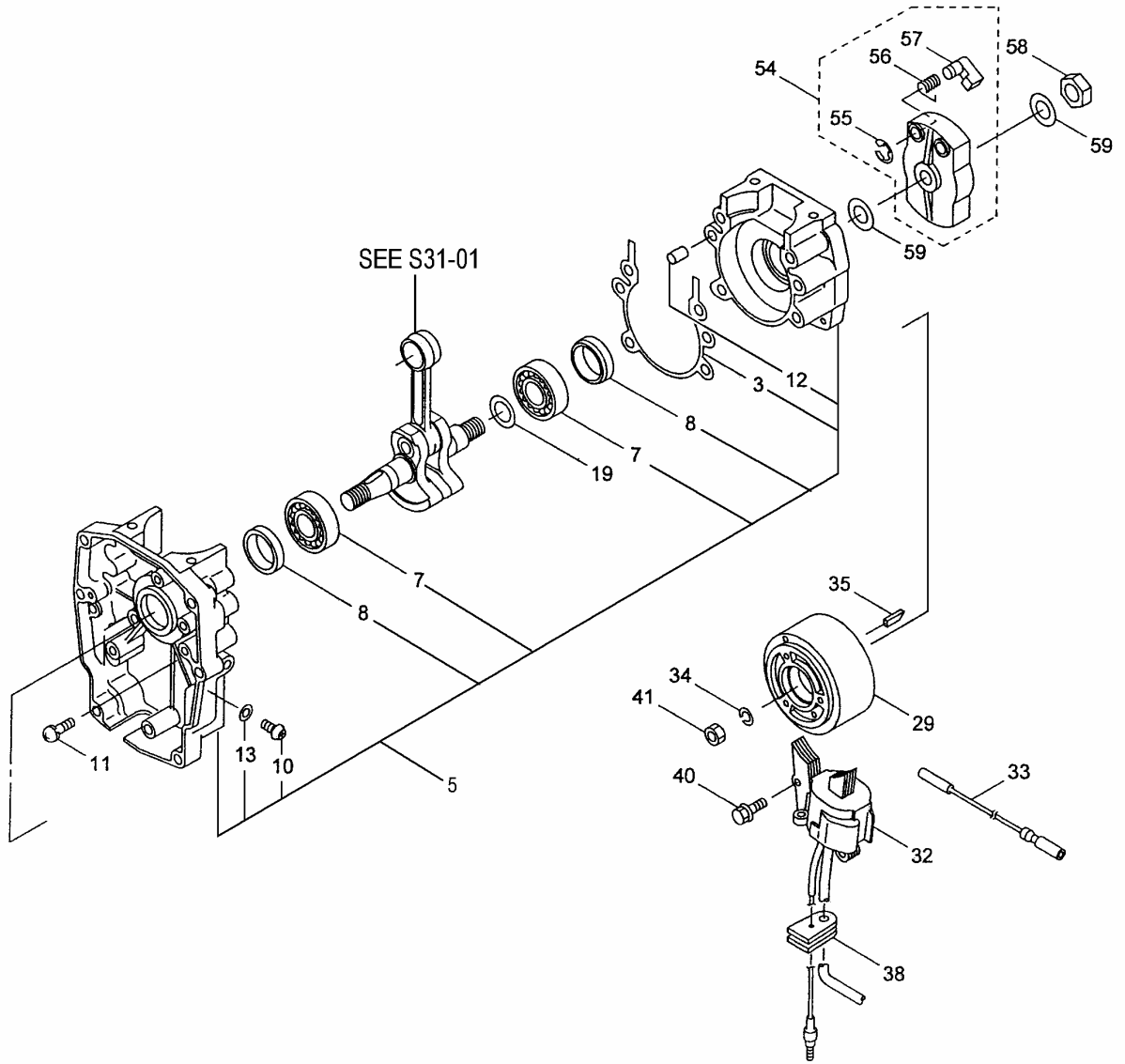
Serial No . - B089950

S31-01 CYLINDER/PISTON/CRANK SHAFT



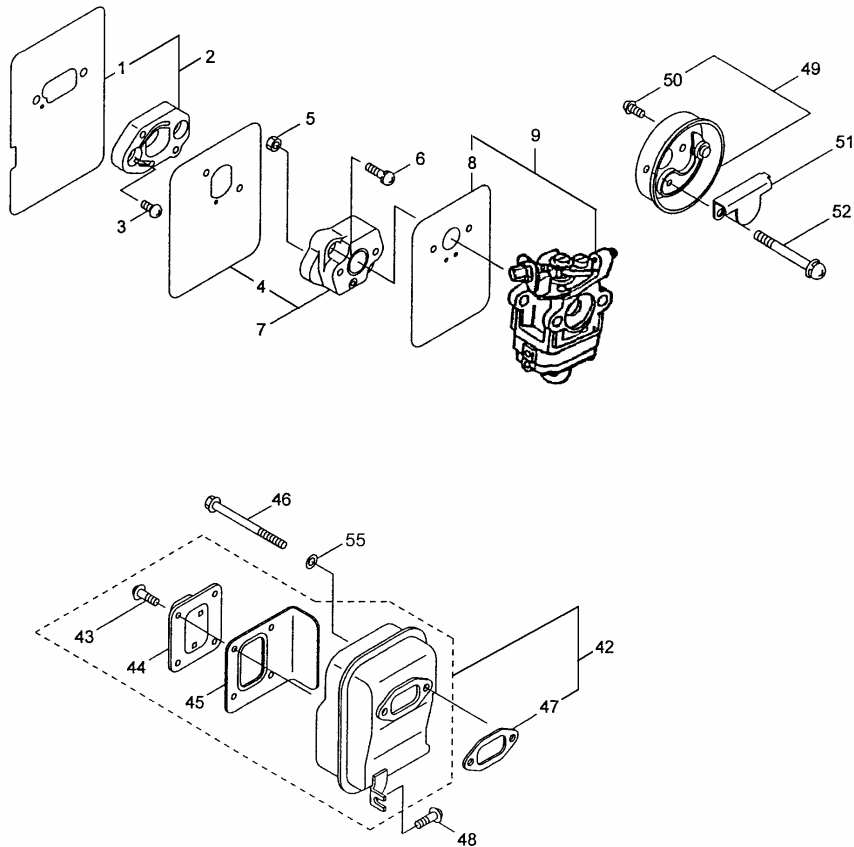
REF. NUMBER	PARTS NUMBER	DESCRIPTION	Q'TY	SERIAL NUMBER
S31-01 CYLINDER/PISTON/CRANK SHAFT				
002	668-5499	CYLINDER SET	1	
004	668-5756	CYLINDER GASKET	1	
009	669-3523	BOLT H	4	
014	668-5905	PISTON SET	1	
015	668-6021	PISTON PIN	1	
016	668-6135	PISTON RING SET	1	
017	668-6238	CRANK SHAFT COMP	1	
018	669-3414	NEEDLE BEARING	1	
020	668-6036	CIRCLIP	2	
021	668-6374	SPACER	2	
022	668-5698	CYLINDER COVER	1	
023	669-2824	MUFFLER PROTECTOR	1	
024	669-3519	BOLT G	2	
025	669-3505	SCREW F	1	
026	669-3594	WASHER B	2	
027	669-3592	WASHER A	2	
028	669-2823	PLUG COVER	1	
030	668-8326	SPARK PLUG CAP	1	
031	668-8328	SPARK PLUG TERMINAL	1	
036	669-3642	PROTECTION TUBE 300L	1	
037	668-5782	SPARK PLUG BPMR7A	1	
039	668-8041	GROMMET B	1	

S31-02 CRANK CASE



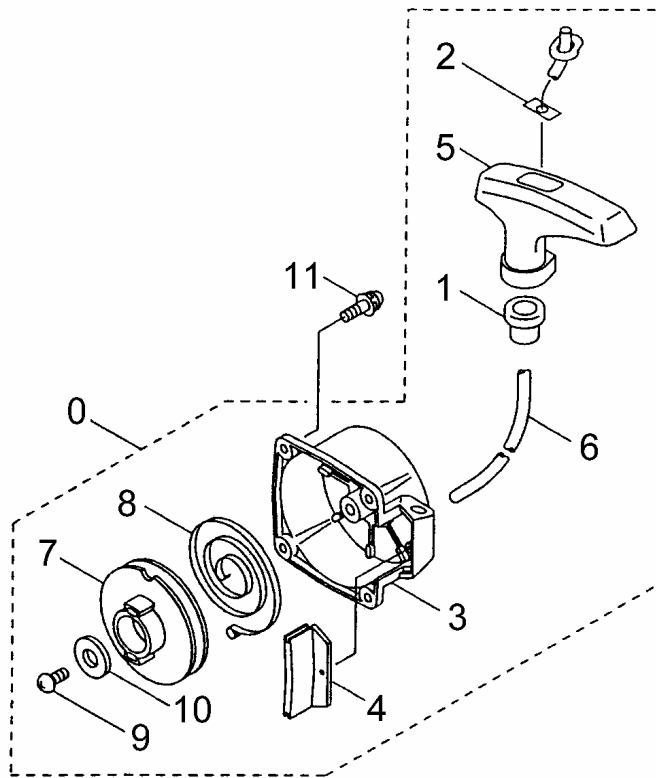
REF. NUMBER	PARTS NUMBER	DESCRIPTION	Q'TY	SERIAL NUMBER
S31-02 CRANK CASE				
003	668-6729	CRANK CASE GASKET	1	
005	668-6605	CRANK CASE ASS'Y	1	
007	669-3426	BALL BEARING	2	
008	668-6139	OIL SEAL	2	
010	669-3471	SCREW A	1	
011	669-3528	SCREW I	4	
012	669-3641	KNOCK PIN	2	
013	669-3552	SPAECILA PACKING	1	
019	669-3431	CRANK SHAFT SHIM 0.10	V	
019	669-3443	CRANK SHAFT SHIM	V	
019	669-3447	CRANK SHAFT SHIM 0.40	V	
019	669-3450	CRANK SHAFT SHIM 0.60	V	
029	668-7358	MAGNETO ROTOR COMP	1	
032	668-7634	IGNITION COIL COMP	1	
033	669-3643	LEAD WIRE	1	
034	669-3644	S. WASHER	1	
035	668-6461	WOOD-RUFF KEY	1	
038	668-8058	GROMMET A	1	
040	669-3533	BOLT J	2	
041	669-3586	NUT B	1	
054	669-3411	STARTER PULLEY ASS'Y	1	
055	668-8367	STOP RING E-TYPE	1	
056	669-3005	STARTER PAWL SPRING	1	
057	669-3001	STARTER PAWL	1	
058	668-5966	SPECIAL NUT	1	
059	669-3600	WASHER C	2	

S31-03 ENGINE SIDE



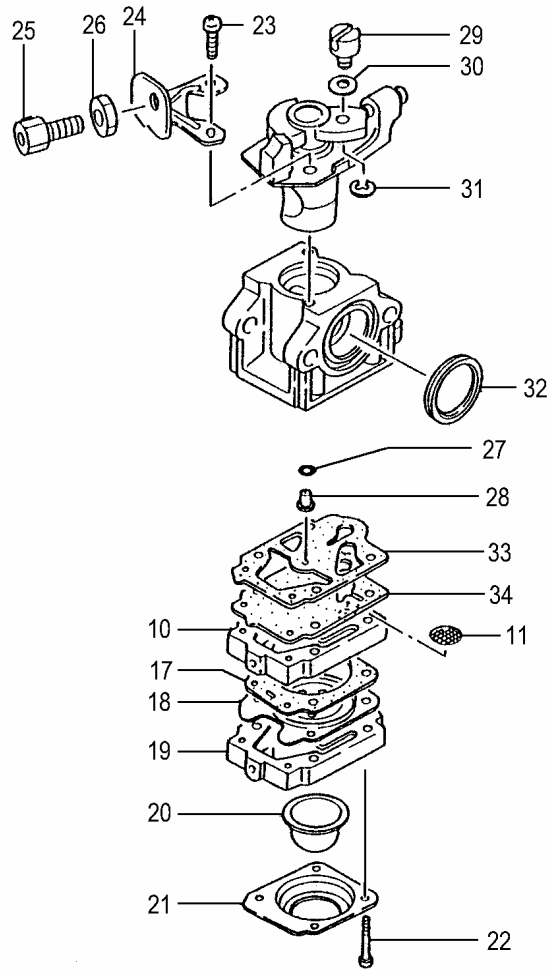
REF. NUMBER	PARTS NUMBER	DESCRIPTION	Q'TY	SERIAL NUMBER
S31-03 ENGINE SIDE				
001	669-3550	MANIFOLD GASKET	1	
002	669-3551	INTAKE MANIFOLD SET	1	
003	669-3548	SCREW L	2	
004	668-9902	INSULATOR GASKET	1	
005	669-3583	NUT A	2	
006	669-3570	SCREW M	2	
007	668-9984	INSULATOR SET	1	
008	668-9848	CARBURETOR GASKET	1	
009	669-0525	CARBURETOR SET WYK128A	1	
042	669-2504	MUFFLER SET	1	
043	669-3497	SCREW E	4	
044	669-2703	SPARK ARRESTER	1	
045	669-2889	TAIL PIPE GASKET	1	
046	669-3572	BOLT N	2	
047	669-2751	MUFFLER GASKET	1	
048	669-3581	SCREW O	1	
049	669-0203	CLEANER FIXING BASE	1	
050	669-3478	SCREW C	1	
051	669-0850	BLOW OVER CHECK BOARD	1	
052	669-3486	SCREW D	2	
055	669-3611	WASHER F	2	

S31-04 RECOIL STARTER



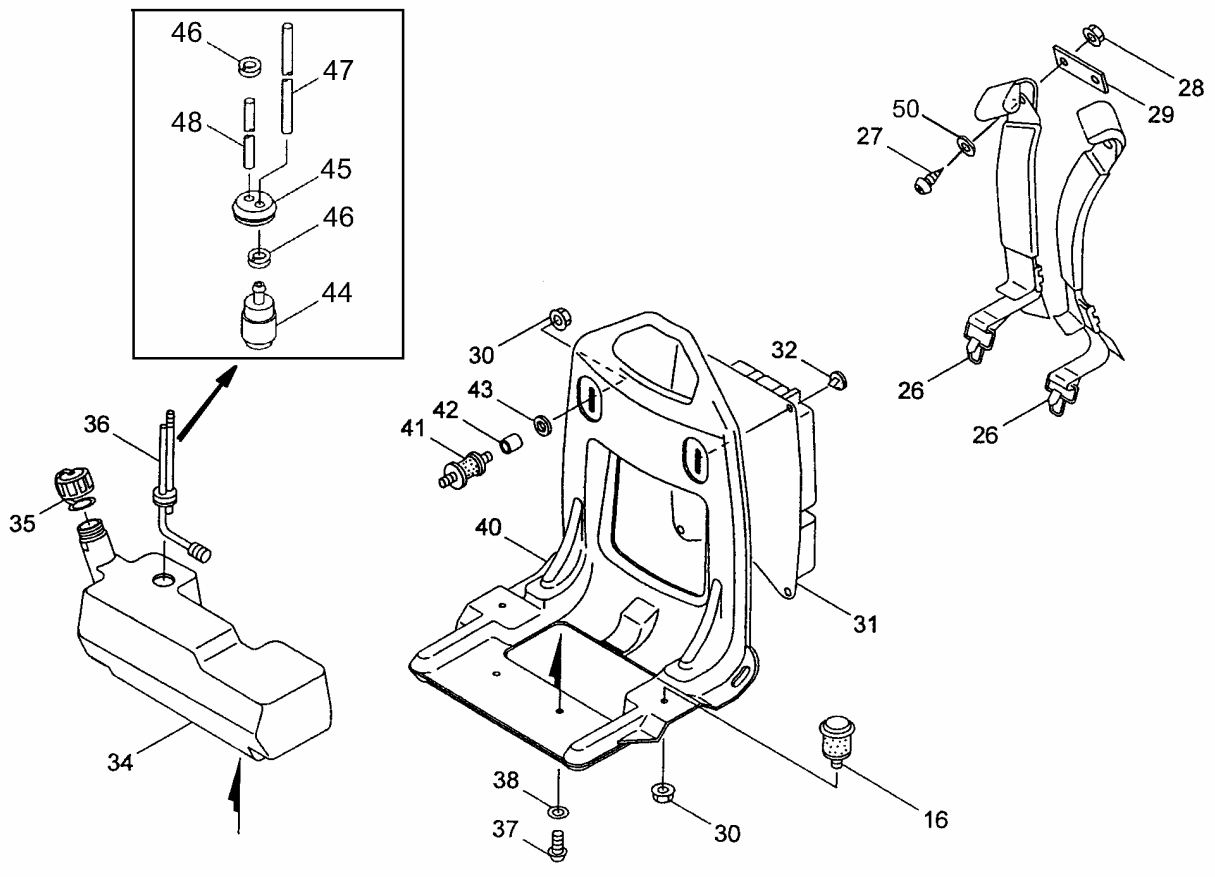
REF. NUMBER	PARTS NUMBER	DESCRIPTION	Q'TY	SERIAL NUMBER
S31-04 RECOIL STARTER				
000	669-2998	RECOIL STARTER BODY ASS'Y	1	
001	669-3145	ROPE GUIDE	1	
002	669-3604	ROPE STOPPER	1	
003	669-2997	RECOIL STAETER BODY	1	
004	669-3000	RECOIL BODY B	1	
005	669-3244	STARTER HANDLE	1	
006	669-3180	STARTER ROPE	1	
007	669-3011	ROPE REEL	1	
008	669-3126	RECOIL SPRING	1	
009	669-3474	SET SCREW	1	
010	669-3606	WASHER E	1	
011	669-3540	SCREW K M4X16	4	

S31-05 CARBURETOR



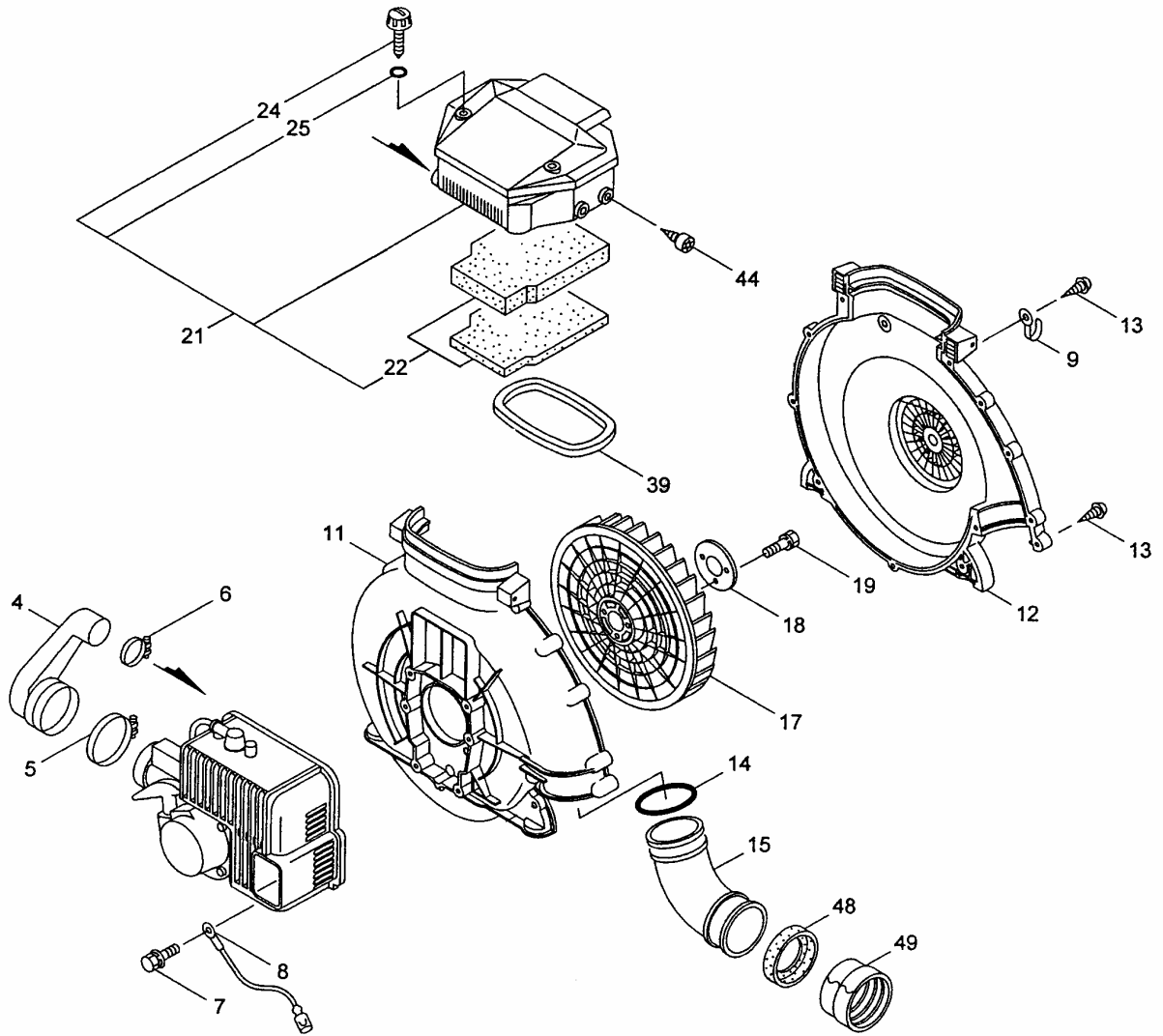
REF. NUMBER	PARTS NUMBER	DESCRIPTION	Q'TY	SERIAL NUMBER
S31-05 CARBURETOR				
010	668-4879	PUMP BODY COMP.	1	
011	668-4700	INLET SCREEN	1	
017	668-4691	DIAPHRAGM GASKET	1	
018	669-0827	METERING DIAPHRAGM COMP.	1	
019	668-4687	PRIMING PUMP COMP.	1	
020	668-4689	PRIMING BODY	1	
021	668-4688	DIAPHRAGM COVER	1	
022	668-4699	SET SCREW	4	
023	668-4870	THROTTLE SET SCREW	2	
024	668-4873	CABLE ADJUSTER STAY	1	
025	668-4871	CABLE ADJUSTER	1	
026	669-2005	CABLE ADJUST NUT	1	
027	668-4695	O-RING	1	
028	669-1903	MAIN JET #52	1	
029	668-4697	SWIVEL	1	
030	668-4874	THRUST WASHER	1	
031	668-4696	STOP RING	1	
032	668-4875	CLEANER PACKING	1	
033	669-1457	PUMP GASKET	1	
034	668-4693	PUMP DIAPHRAGM	1	
000	669-2189	CARB. REPAIR KIT, K1-WYJ	1	

S31-06 FRAME



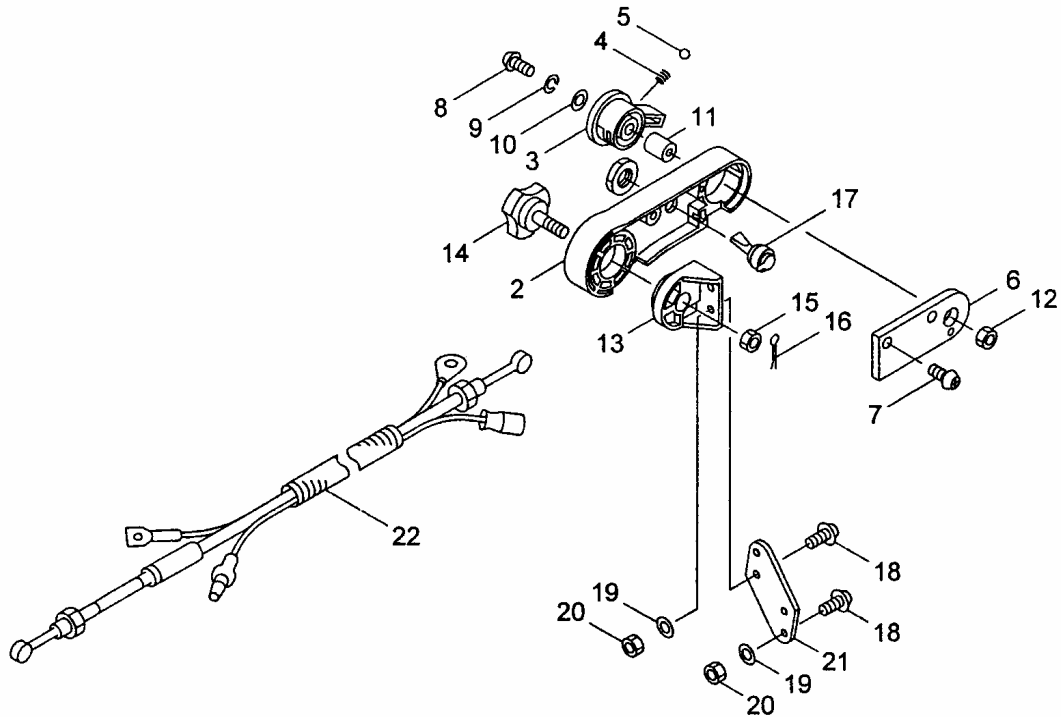
REF. NUMBER	PARTS NUMBER	DESCRIPTION	Q'TY	SERIAL NUMBER
S31-06 FRAME				
016	668-5909	CUSHION RUBBER	2	
026	668-5984	SHOULDER BELT COMP	2	
027	669-3521	SCREW G M6X16	2	
028	669-3612	NUT F M6	2	
029	668-5700	SHOULDER BAND STAY	1	
030	668-5862	SEPCIAL NUT 6	4	
031	668-5813	CUSHION PAD	1	
032	668-6242	FASTENER	4	
034	669-1639	TANK COMP	1	
035	669-1785	TANK CAP ASS'Y	1	
036	668-8177	FUEL PIPE ASS'Y	1	
037	669-3535	SCREW J M5X14	2	
038	669-3593	WASHER A	2	
040	668-5804	FRAME	1	
041	668-5907	CUSHION RUBBER	2	
042	668-6376	COLLAR	2	
043	669-3595	WASHER PACKING	2	
044	669-2286	FUEL FILTER BODY ASS'Y	1	
045	669-1285	RETURN GROMMET	1	
046	669-2320	CLIP	2	
047	668-8176	FUEL PIPE A	1	
048	668-8158	FUEL PIPE B	1	
050	668-5847	CAP WAHSER	2	

S31-07 BLOWER



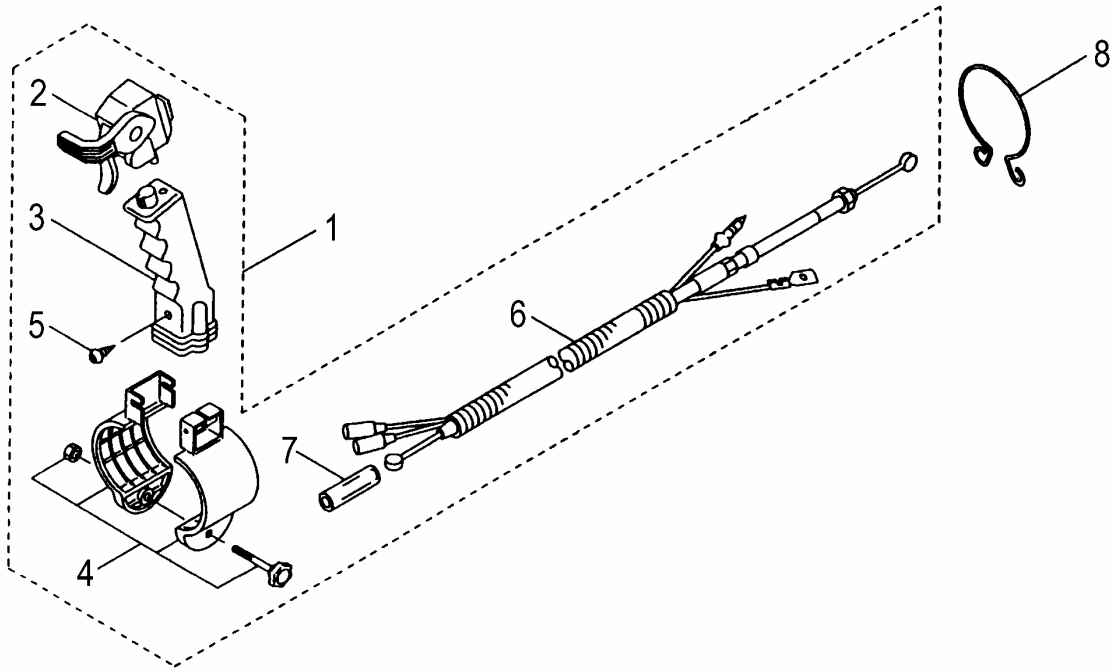
REF. NUMBER	PARTS NUMBER	DESCRIPTION	Q'TY	SERIAL NUMBER
S31-07 BLOWER				
004	669-0210	CLEANER TUBE	1	
005	669-3012	CLAMP A	1	
006	669-3015	CLAMP B	1	
007	669-3499	BOLT E M6X30	6	
008	668-7881	EARTH CORD	1	
009	668-6874	CORD CLAMP	1	
011	668-5603	FAN CASE E	1	
012	668-5635	FAN CASE S	1	
013	669-3506	TAPPING SCREW F M5X25	1	
014	668-8232	O-RING #85	1	
015	668-8425	ELBO PIPE	1	
017	668-7174	FAN	1	
018	668-5857	SPECIAL PLATE	1	
019	669-3531	BOLT I M6X40	3	
021	669-0135	AIR CLEANER ASS'Y	1	
022	669-0330	ELEMENT ASS'Y	1	
024	669-3663	KNOB BOLT	2	
025	668-8185	RUBBER PACKING	2	
039	669-1702	PACKING	1	
044	669-3542	TAPPING SCREW K M6X14	4	
048	668-8251	RUBBER BAND	1	
049	668-9112	JOINT COLLAR	1	

S31-08 THROTTLE LEVER (TBL7600)



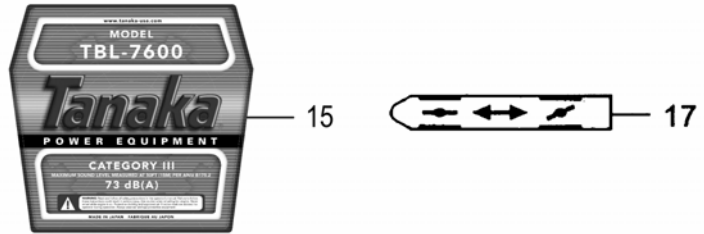
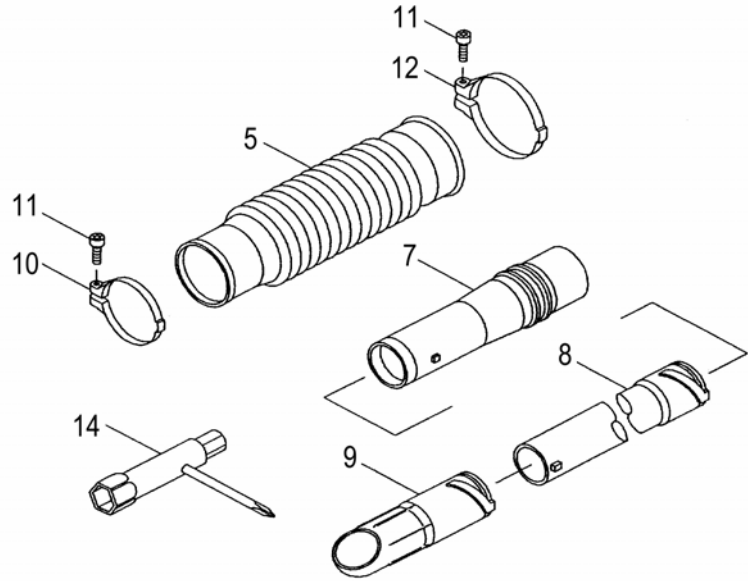
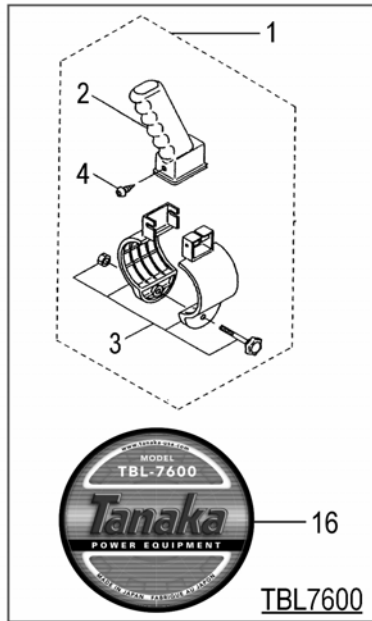
REF. NUMBER	PARTS NUMBER	DESCRIPTION	Q'TY	SERIAL NUMBER
S31-08 THROTTLE LEVER (TBL7600)				
002	668-8322	THROTTLE LEVER ARM	1	
003	668-8387	THROTTLE LEVER	1	
004	668-9248	THROTTLE LEVER SPRING	1	
005	668-9249	STEEL BALL	1	
006	668-8291	THROTTLE LEVER ARM COVER	1	
007	669-5245	TAPPING SCREW 4X10	2	
008	669-4938	SCREW 6X25	1	
009	669-5219	S.WASHER 6	1	
010	669-5183	SMALL WASHER 6	1	
011	668-8341	COLLAR	1	
012	668-4792	NUT M6	1	
013	668-6053	THROTTLE LEVER BRACKET, BLACK	1	
014	668-9262	KNOB	1	
015	669-5165	NYLON LOCK NUT 8	1	
016	669-5241	SPLIT PIN 2X15	1	
017	668-7501	STOP SWITCH ASS'Y	1	
018	669-4934	SCREW 6X20	4	
019	668-4639	WASHER 6	4	
020	669-5164	NYLON LOCK NUT 6	4	
021	668-5758	BRACKET STAY	1	
022	669-3936	THROTTLE WIRE COMP	1	

S31-09 THROTTLE LEVER (TBL7600R)



REF. NUMBER	PARTS NUMBER	DESCRIPTION	Q'TY	SERIAL NUMBER
S31-09 THROTTLE LEVER (TBL7600R)				
001	669-3780	THROTTLE LEVER ASSY SET	1	
002	668-5671	THROTTLE LEVER ASSY	1	
003	668-8297	GRIP	1	
004	668-8383	GRIP BAND ASS'Y	1	
005	669-5253	TAPPING SCREW 5X18	2	
006	669-4003	THROTTLE WIRE COMP	1	
007	668-8544	TUBE 8X8X20	1	
008	668-8221	CLAMP	1	

S31-10 TOOLS, LABELS & OPTIONAL PARTS



CAUTION
 1. Read owners manual for fuel/oil and mixing instructions.
 2. Always use proper fuel/oil mix. *Never use straight gasoline/oil mix.
 3. Never use automotive motor oil.
 4. Always use 2-cycle oil which has been formulated for outdoor power equipment.
 5. Oil ratio is 50 parts fuel to 1 part oil (50 : 1)
 6. Incorrect fuel/oil ratio will cause engine overheating, failure or damage.



REF. NUMBER	PARTS NUMBER	DESCRIPTION	Q'TY	SERIAL NUMBER
S31-10 TOOLS, LABELS & OPTIONAL PARTS				
001	668-8300	HANDLE GRIP ASS'Y	1	
002	668-8299	HANDLE GRIP	1	
003	668-8383	GRIP BAND ASS'Y	1	
004	669-3487	TAPPING SCREW D M5X18	2	
005	668-6815	FLEXIBLE PIPE	1	
007	668-6797	SWIVEL PIPE	1	
008	668-6820	STRAIGHT PIPE 370L	1	
009	668-6825	BLOW PIPE	1	
010	668-6785	HOSE BAND #82	1	
011	669-4896	SCREW 5X25	2	
012	668-8415	HOSE BAND #100	1	
014	668-4979	COMBI BOX SPANNER 13X19 PLUS	1	
015	669-4252	NAME PLATE TBL7600	1	
016	669-4703	SYMBOL LABEL	1	
017	669-4435	CHOKE LABEL	1	
018	669-4440	CAUTION LABEL TANK	1	
019	669-4533	CAUTION LABEL A	1	
020	669-4704	SYMBOL LABEL	1	