

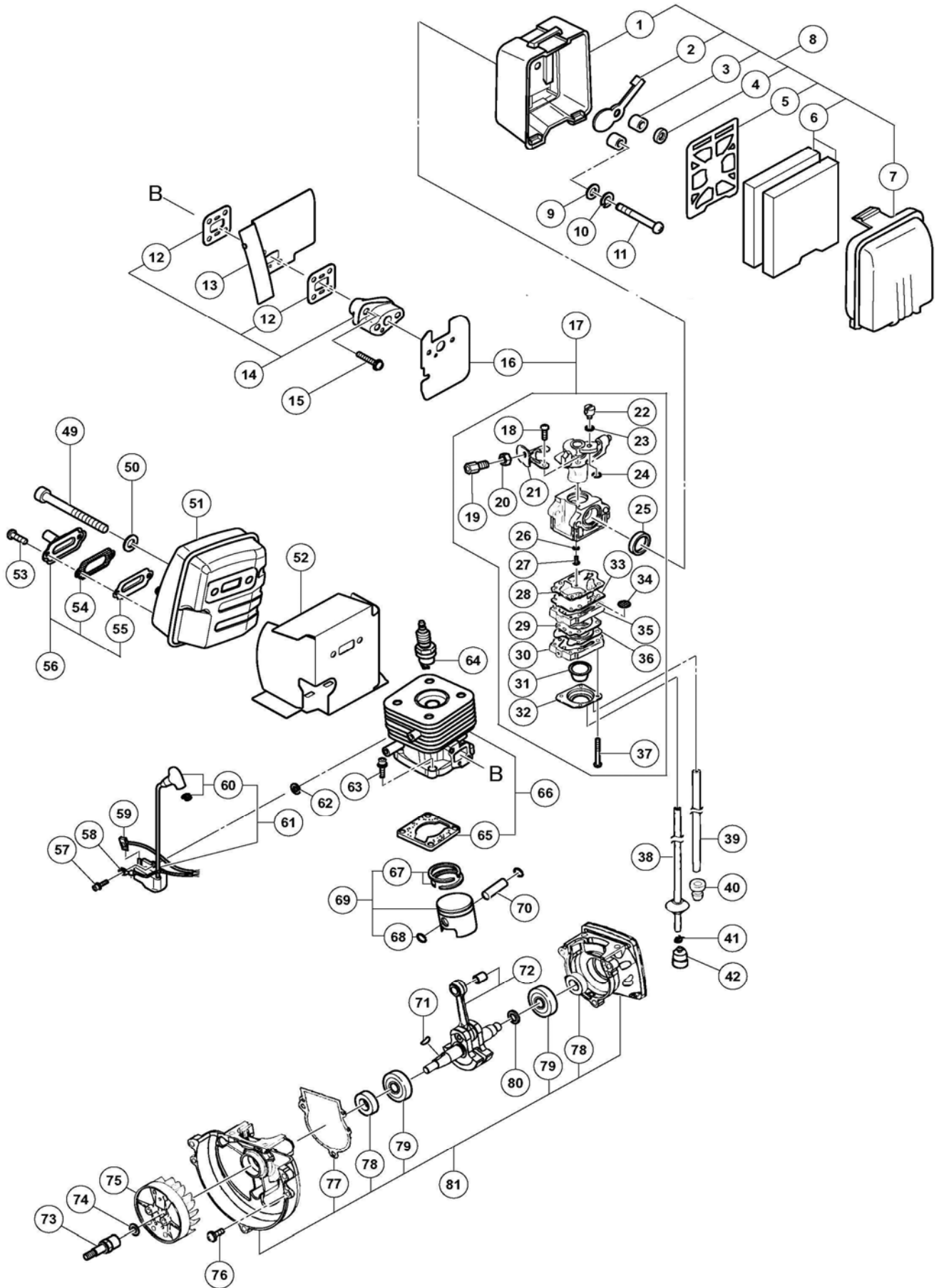
**S48**

***Tanaka***

**THB-260PF**

**Serial No.**

# S48-01 ENGINE



# S48-01 ENGINE

ITEM NO.	CODE NO.	DESCRIPTION	NO.USED	REMARKS
1	668-4856	AIR CLEANER BODY	1	
2	668-4857	CHOKE VALVE	1	
3	668-4858	COLLAR	2	
4	668-4859	SPACER	1	
5	668-4860	BLOW OVER CHECK BOARD	1	
6	668-4861	CLEANER SPONGE	2	
7	668-4862	CLEANER CAP	1	
8	668-4863	AIR CLEANER ASS'Y	1	INCLUD.1-7
9	668-4864	SMALL WASHER 5	2	
10	668-4662	S.WASHER 5	2	
11	668-4660	SCREW 5X60	2	
12	668-4865	INSULATOR GASKET	2	
13	668-4866	PARTITION PLATE	1	
14	668-4867	INSULATOR SET	1	INCLUD.12
15	668-4617	HEX HOLE BOLT 5X25WS	2	
16	668-4868	CARBURETOR GASKET	1	
17	668-4869	CARBURETOR SET WYJ470	1	INCLUD.16,18-37
18	668-4870	THROTTLE SET SCREW	2	
19	668-4871	CABLE ADJUSTER	1	
20	668-4872	CABLE ADJUSTER LOCK NUT	1	
21	668-4873	CABLE ADJUSTER STAY	1	
22	668-4697	SWIVEL	1	
23	668-4874	THRUST WASHER	1	
24	668-4696	STOP RING	1	
25	668-4875	CLEANER PACKING	1	
26	668-4695	O-RING	1	
27	668-4876	MAIN JET #37	1	
28	668-4692	PUMP GASKET	1	
29	668-4691	DIAPHRAGM GASKET	1	
30	668-4687	PRIMING PUMP COMP.	1	
31	668-4689	PRIMING BODY	1	
32	668-4688	DIAPHRAGM COVER	1	
33	668-4693	PUMP DIAPHRAGM	1	
34	668-4700	INLET SCREEN	1	
35	668-4879	PUMP BODY COMP	1	
36	668-4690	METERING DIAPHRAGM	1	
37	668-4699	SET SCREW	4	
38	668-4618	FUEL PIPE ASS'Y	1	
39	668-4880	FUEL PIPE 3X5X80	1	
40	668-4627	RETURN GROMMET	1	
41	668-4619	CLIP, 6.3 DIA.	1	
42	668-4620	PUMP FILTER BODY COMP.	1	
49	668-4638	HEX HOLE BOLT 6X55	2	
50	668-4639	WASHER 6	2	
51	668-4886	MUFFLER COMP	1	
52	668-4888	INSULATOR	1	
53	668-4651	SCREW 4X8/WS	2	
54	668-4889	SPARK ARRESTER	1	
55	668-4890	MUFFLER S GASKET	1	
56	668-4891	TAIL PIPE SET	1	INCLUD.54,55
57	668-4599	HEX. HOLE BOLT 4X18WS	2	
58	668-4892	EARTH CORD 120L	1	
59	668-4893	STOP CORD 145L	1	
60	668-4894	PLUG CAP ASS'Y	1	
61	668-4895	IGNITION COIL ASS'Y	1	INCLUD.60
62	668-4600	WASHER	2	



# S48-02 BLOWER

