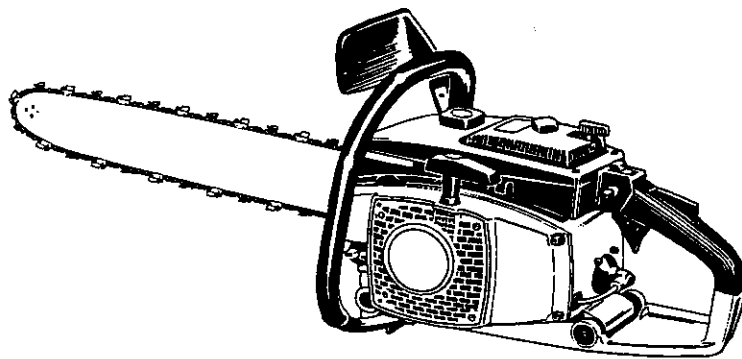


# ***Tanaka***

## **Parts Catalog**



**ECS-655**

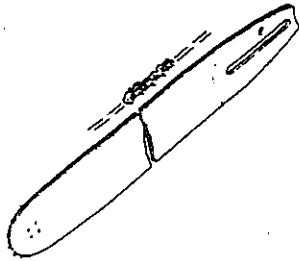
## **Chain Saw**

**Model: ECS-650/655**

# ECS-655

## OPTIONS AND ACCESSORIES

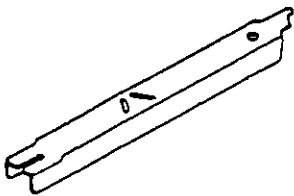
### BARS & CHAINS



16 In. Chain 72SG060X  
 20 In. Chain 72SG070X  
 24 In. Chain 72SG081X

16 In. Bar 160PXDD176  
 20 In. Bar 200PXDD176  
 24 In. Bar 240RNDD176

16 In. Bar/Chain Kit 844005  
 20 In. Bar/Chain Kit 844006  
 24 In. Bar/Chain Kit 844007

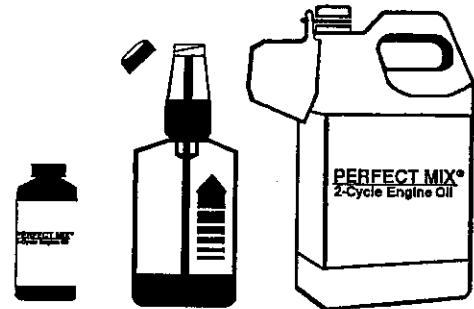


**DEPTH GAUGE CDG-600**

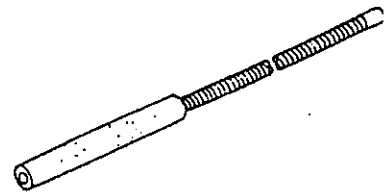
### MANUALS & CATALOGS

34765	Owner's Manual
22206	Safety Manual
11792	Parts Catalog

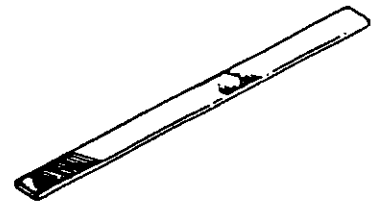
### PERFECT MIX® 2-Cycle Engine Oil



700109 2.8 oz. Bottle, 1 Gallon Size (24\*)  
 700108 16 oz. Self-measuring Bottle (24\*)  
 700110 1 Gallon Jug Commercial Size (6\*)  
 \* Case Quantity



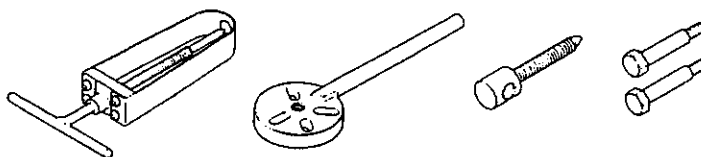
**FILE ASS'Y 5/32 CSF-732**



**FLAT FILE 8" CSF-800**

### SPECIAL TOOLS

006-29326-000	Flywheel Remover	001-29000-000	Tachometer
009-29111-080	Piston Pin Remover	070-2000W-500	Pressure Tester
890-32600-200	Clutch Remover	070-2000W-501	Carb. Tool Kit



# FIG. 1 ENGINE

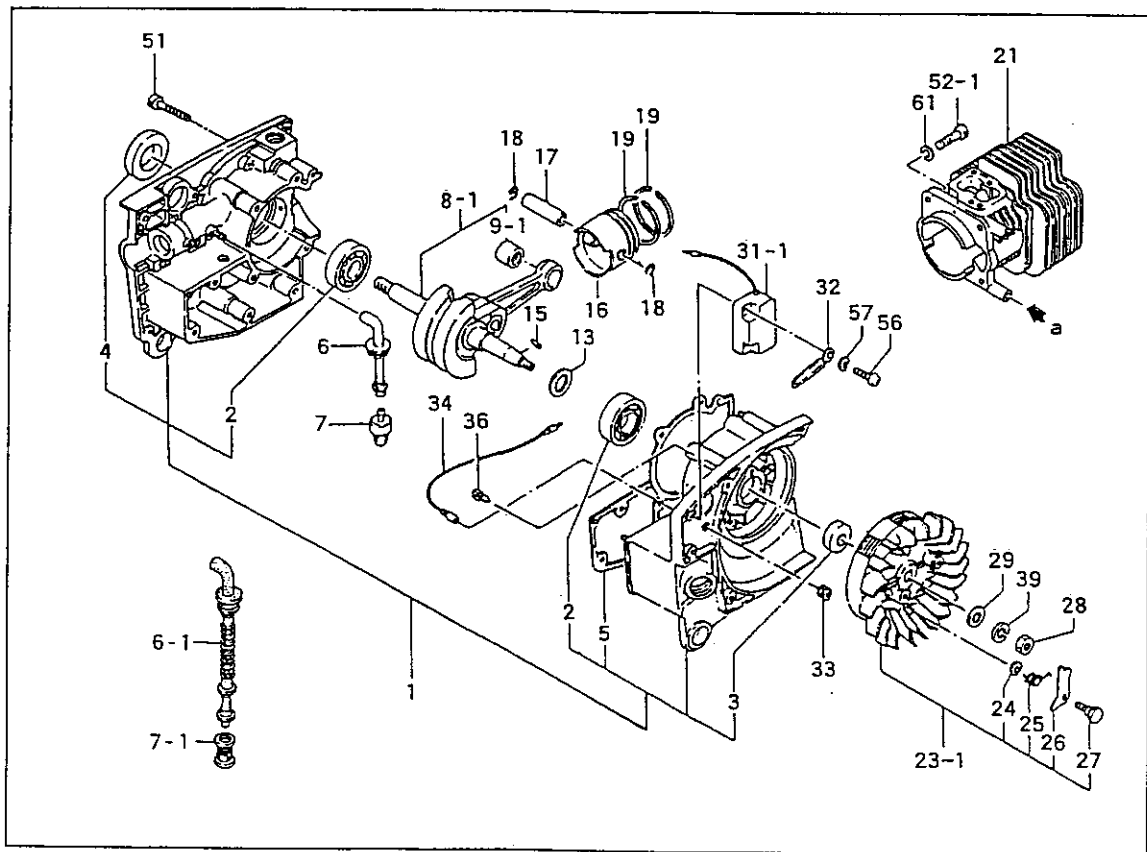
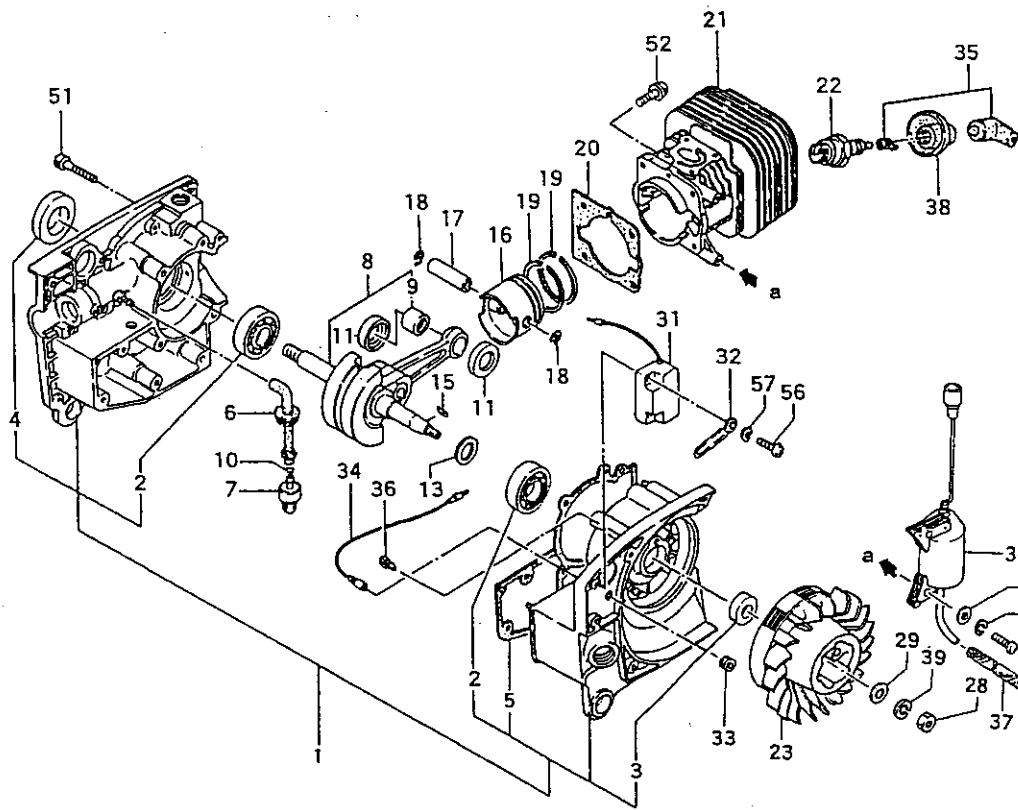


FIGURE 1

## ECS-655 PARTS LISTING

REF.	PART NO.	PART DESCRIPTION	Q	C	S	SERIAL NO	REMARKS
1	072-11650-901	CRANKCASE,ASS'Y	1		D	~E055570	Includes bearings, seals & gasket
1	072-11650-911	CRANKCASE,ASS'Y	1		D	E055571~	Includes bearings, seals & gasket
2	999-61620-206	BEARING,BALL,#6202a12	2		C		
3	999-66122-240	SEAL,OIL,12227	1		A		
4	999-66253-512	SEAL,OIL,#25356	1		C		
5	090-11650-200	GASKET,CRANKCASE	1		C		
6-1	505-32600-201	PIPE,OIL,B	1		D	~C189252	
6	505-32600-211	PIPE,OIL,B	1		C	C189253~	
7-1	487-32600-200	OIL,FILTER	1		D	~C189252	
7	486-32530-800	BODY,OIL FILTER	1		D	C189253~	
8-1	046-11650-822	CRANKSHAFT	1		D	~J082070	
8	046-11650-822	CRANKSHAFT	1		D	~K102600	
8	046-11650-850	CRANKSHAFT	1		D	K102601~	
9-1	999-62121-631	BEARING,NEEDLE	1		C	~K102600	
9	999-62121-639	BEARING,NEEDLE,KTV12162	1		C	K102601~	
10	680-04019-210	CLIP,7	1		B	C189253~	
11	036-11666-200	COLLAR,PISTON PIN	2		C	K102601~	
13	071-11600-230	SHIM,16X21X.20	V		D		Shims are "as needed" to obtain correct c/s side clearance.
13	071-11600-240	SHIM,16X21X.30	V		D		
15	068-10100-200	KEY,WOODRUFF,3X13X4.5	1		C		
16	031-11650-212	PISTON	1		C		
17	037-12000-200	PIN,PISTON,12X38.3	1		C		
18	039-12000-201	CIRCLIP,PISTON PIN	2		C		
19	041-11650-220	RING,PISTON	2		B		
20	017-11650-200	GASKET,CYLINDER	1		B		
21	002-11650-210	CYLINDER	1		C		
22	018-11610-21	PLUG,SPARK	1		C		
23-1	155-20752-902	ROTOR,MAGNETO ASS'Y	1		C	~N007370	
23	155-21738-80	ROTOR,MAGNETO	1		C	N007371~	
24	786-00601-200	WASHER,RECOIL STARTER	2		D	~E156100	
24	786-11620-200	WASHER,STARTER	2		C	E156101~	
25	790-11600-200	SPRING,STARTER PAWL	2		B	~N007370	
26	788-11600-210	PAWL,STARTER	2		C	~N007370	
27	793-10200-202	BOLT,STEP	2		C	~N007370	
28	066-00601-200	NUT,FLYWHEEL	1		D		
29	065-00000-200	WASHER,FLYWHEEL	1		D		
30	167-21509-802	COIL,IGNITION	1		C		
31-1	159-21401-870	IGNITOR,TTI-ID	1		B	~E055570	
31	159-21411-870	IGNITOR,TTI-6D	1		C	E055571~	

\* Indicates the part is included in a kit or assembly and is not available individually. Q=Quan. used  
C=Interchangeability S=Stocking code: A-Fast moving B=Med. fast C=Med. move D=Slow move  
E=N.L.A. F=Superceded or replaced by a new part

REF.	PART NO.	PART DESCRIPTION	Q	C	S	SERIAL NO	REMARKS
32	198-05015-800	CLAMP,CORD	1		C		
33	203-04015-202	GROMMET,PRIMARY CORD	1		C		
34	173-11600-800	CORD,PRIMARY	1		C		
35	157-01570-900	CAP,SPARK PLUG,ASS'Y	1		C		
36	198-11600-200	CLAMP,CORD	1		D		
37	755-32600-200	TUBE,CORD INSULATOR	1		D		
38	255-11650-200	COVER,SPARK PLUG	1		D		
39	992-10070-012	WASHER,S,7	1		D		
51	990-51050-303	BOLT,HEX,5X30	8		D		
52-1	990-51050-203	BOLT,HEX.HOLE,5X20	4		C	~M068795	
52	994-61050-205	BOLT,HEX,5X20	4		C	M068796~	
53	990-11040-181	SCREW,4X18	2		D	~G182170	
53	990-11040-221	SCREW,4X22	2		B	G182171~	
54	992-10040-012	WASHER,S,4	2		B		
55	992-00040-011	WASHER,4	2		B		
56	990-11040-161	SCREW,4X16	2		A		
57	992-10040-012	WASHER,S,4	2		B		
61	992-10050-012	WASHER,S,5	V		A		

\* Indicates the part is included in a kit or assembly and is not available individually. Q=Quan. used  
 C=Interchangeability S=Stocking code: A-Fast moving B=Med. fast C=Med. move D=Slow move  
 E=N.L.A. F=Superseded or replaced by a new part

# FIG.2 CLUTCH, BRAKE & MUFFLER

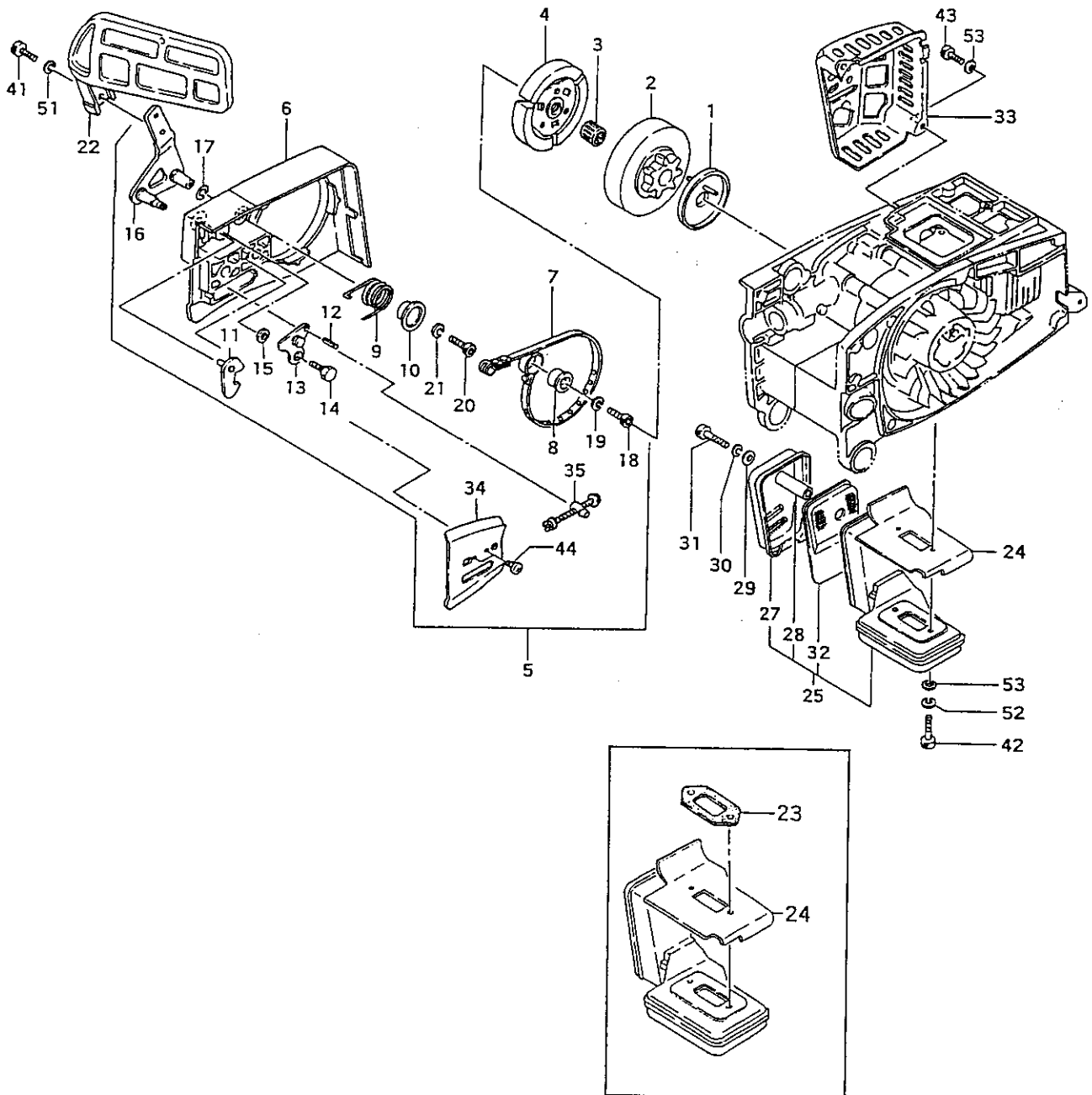


FIGURE 2

## ECS-655 PARTS LISTING

REF.	PART NO.	PART DESCRIPTION	Q	C	S	SERIAL NO	REMARKS
1	321-32600-803	WASHER,SPROCKET	1		D		
2	310-11600-801	HOUSING,CLUTCH	1		B		
3	999-62121-505	BEARING,NEEDLE	1		C		
4	287-11600-801	CLUTCH	1		D		
5	040-32600-911	CASE,SIDE,ASS'Y	1		D		
6	040-32600-210	CASE,SIDE	1		C		
7	378-32600-802	BAND,BRAKE	1		C		
8	381-32600-200	BAND,BRAKE,METAL	1		D		
9	374-32600-210	SPRING,BRAKE	1		D		
10	368-32600-200	WASHER,BRAKE SHAFT	1		D		
11	360-32600-800	PLATE,BRAKE RESET	1		D		
12	993-24005-120	PIN,SPRING	1		D		
13	373-32600-801	ARM,BRAKE	1		D		
14	382-32600-200	BOLT,STEP,A	1		D		
15	871-32600-200	WASHER,SPECIAL,B	1		D		
16	361-32600-801	LEVER,BRAKE	1		D		
17	034-31200-250	SHIM,8.2X12.5X.50	1		D		
18	990-51050-123	BOLT,HEX,5X12	1		C		
19	992-10050-012	WASHER,S,5	1		A		
20	990-51050-103	BOLT,HEX.HOLE,5X10	1		C		
21	992-10050-012	WASHER,S,5	1		A		
22	380-32600-803	HANDLE,BRAKE	1		D		
23	737-11600-210	GASKET,MUFFLER	2		D	-C189252	
24	744-11600-21	SHIELD,HEAT	1		C		
25	705-11653-910	MUFFLER,ASS'Y	1		D		
27	717-11653-201	BODY,MUFFLER B	1		D		
28	740-11603-210	COLLAR,MUFFLER CLAMP 30	1		D		
29	368-32350-200	WASHER,BRAKE SHAFT	1		C		
30	992-10050-012	WASHER,S,5	1		A		
31	990-51050-453	BOLT,HEX,5X45	1		C		
32	732-11603-201	PLATE,PARTITION	1		D		
33	738-11600-203	PROTECTOR,MUFFLER	1		C		
34	462-32600-201	PLATE,GUIDE B	1		D		
35	116-32600-901	BOLT,CHAIN TENSION,ASS'Y	1		C		
41	990-51050-103	BOLT,HEX.HOLE,5X10	2		C		
42	990-51050-453	BOLT,HEX,5X45	2		C	-D275496	
42	990-51050-353	BOLT,HEX.HOLE,5X35	2		C	D275497~	
43	990-51050-103	BOLT,HEX.HOLE,5X10	1		C		

\* Indicates the part is included in a kit or assembly and is not available individually. Q=Quan. used  
C=Interchangeability S=Stocking code: A=Fast moving B=Med. fast C=Med. move D=Slow move  
E=N.L.A. F=Superseded or replaced by a new part

ECS-655 PARTS LISTING

REF.	PART NO.	PART DESCRIPTION	Q	C	S	SERIAL NO.	REMARKS
44	990-11030-061	SCREW,3X6	2		D		
51	992-10050-012	WASHER,S,5	2		A		
52	992-10050-062	WASHER,S,5	2		D		
53	992-00050-061	WASHER,SMALL,5	3		D		

\* Indicates the part is included in a kit or assembly and is not available individually. Q=Quan. used  
 C=Interchangeability S=Stocking code: A-Fast moving B=Med. fast C=Med. move D=Slow move  
 E=N.L.A. F=Superceded or replaced by a new part



# FIG.3 CLEANER & CARBURETOR

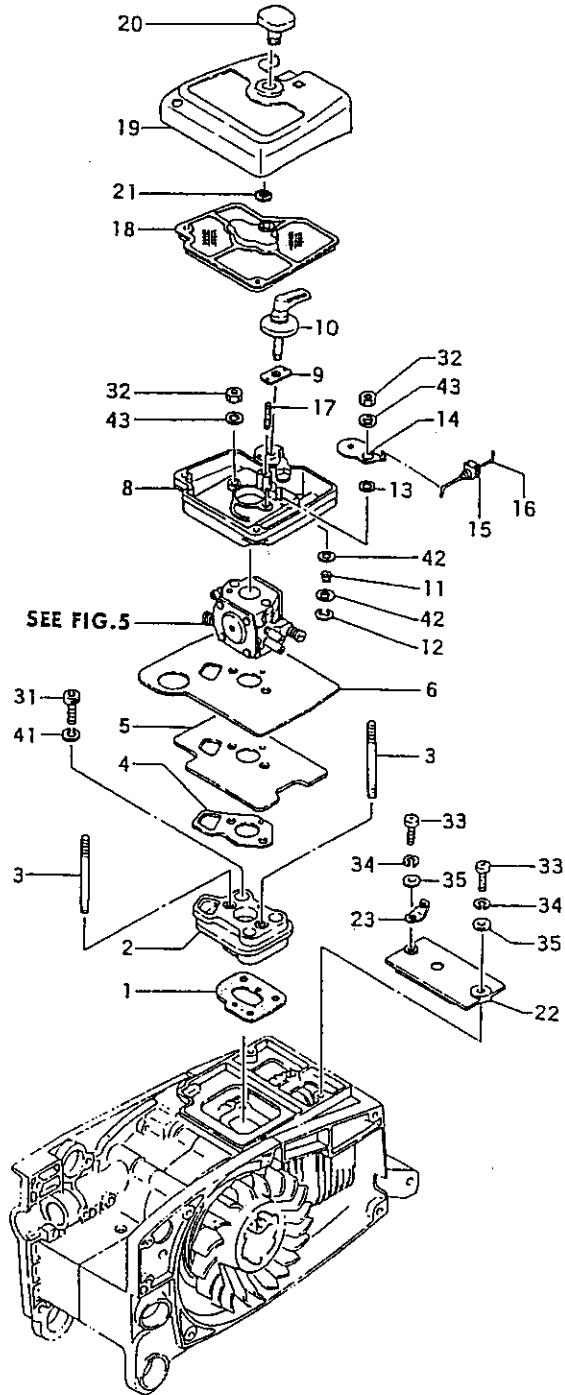


FIGURE 3

## ECS-655 PARTS LISTING

REF.	PART NO.	PART DESCRIPTION	Q	C	S	SERIAL NO	REMARKS
1	403-11650-201	GASKET,INLET MANIFOLD	1		C		
2	404-11650-810	INSULATOR,CARBURETOR	1		C	-M068925	
2	404-11660-80	INSULATOR,CARBURETOR	1		D	M068926~	
3	100-11622-200	STUD,5X60	2		C		
4	402-11653-200	GASKET,CARBURETOR	1		D		
5	133-11650-200	SHIELD,HEAT	1		C		
6	402-11658-200	GASKET,CARBURETOR	1		C		
8	423-11600-204	BODY,AIR CLEANER	1		D		
9	710-32600-201	PLATE,SET,CHOKE	1		D		
10	704-32650-800	BUTTON,CHOKE	1		D		
11	308-36100-201	SPRING,ADJUSTER A	1		C		
12	993-55040-001	RING,STOP	1		D		
13	708-32350-200	SHIM,5.2X8X.80	1		C		
14	700-32600-211	VALVE,CHOKE	1		D		
15	707-32600-200	HOLDER,CHOKE ROD	1		D		
16	706-32600-210	ROD,CHOKE	1		D		
17	100-11601-201	BOLT,STUD,4X21	1		D		
18	420-11600-810	ELEMENT,CLEANER	1		B		
19	051-32610-220	COVER,CLEANER	1		C		
20	175-32600-810	KNOB,CLEANER	1		C		
21	993-52009-002	RING,STOP,S-9 EX	1		C		
22	188-32600-210	PLATE,SHUTTER	1		D		
23	205-11600-201	TAB,TERMINAL	1		D		
31	990-51050-223	BOLT,HEX,5X22	3		C	-M068925	
31	990-51050-253	BOLT,HEX,5X25	3		B	M068926~	
32	991-78050-010	NUT,LOCK 5	2		C		
33	990-11040-121	SCREW,4X12	2		B		
34	992-10040-012	WASHER,S,4	2		B		
35	992-00040-011	WASHER,4	2		B		
41	992-10050-062	WASHER,S,5	3		D		
42	992-00060-011	WASHER,SMALL,6	2		C		
43	992-01050-011	WASHER,5	2		A		

\* Indicates the part is included in a kit or assembly and is not available individually. Q=Quan. used  
C=Interchangeability S=Stocking code: A=Fast moving B=Med. fast C=Med. move D=Slow move  
E=N.L.A. F=Superseded or replaced by a new part

# FIG.4 RECOIL STARTER

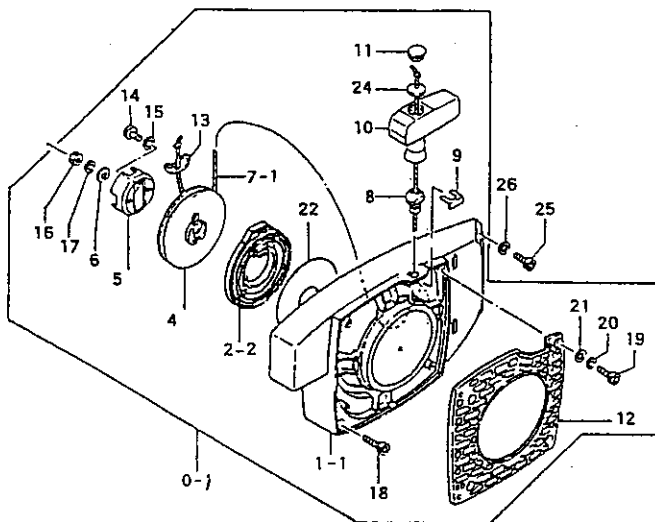
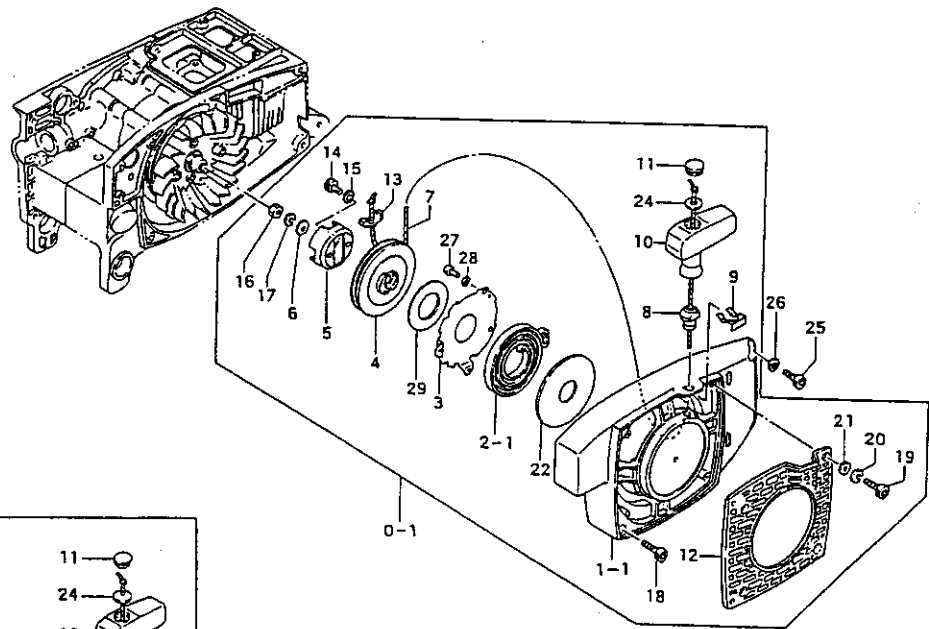
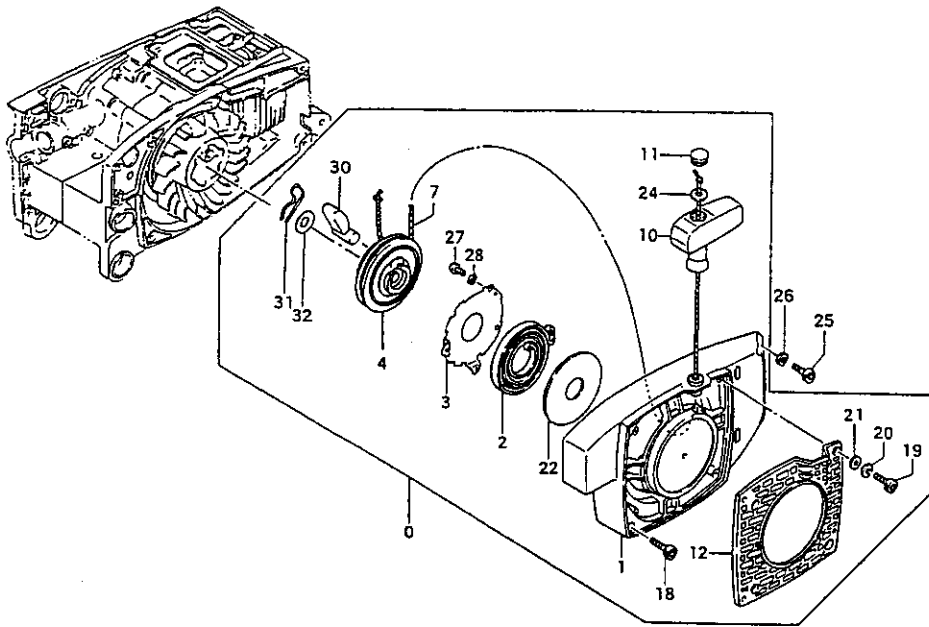


FIGURE 4

## ECS-655 PARTS LISTING

REF.	PART NO.	PART DESCRIPTION	Q	C	S	SERIAL NO	REMARKS
0-1	756-11622-900	STARTER,RECOIL ASS'Y	1		C	~N007370	
0	756-11622-91	STARTER,RECOIL ASS'Y	1		C	N007371~	
1-1	112-11600-805	CASE,FAN	1		D	~N007370	
1-1	112-11622-80	CASE,FAN	1		C	N007371~	
2-2	778-11600-911	CASE,RECOIL SPRING,ASS'Y	1		C	~G182170	
2-1	779-11620-20	SPRING,RECOIL	1		B	M068796~	
3	778-11622-200	PANEL,STARTER	1		D	F135301~	
4	774-11600-820	PULLEY,STARTER	1		C	~N007370	
5	773-11600-201	PULLEY,SHAFT/OUTER	1		C		
6	182-11600-200	WASHER,SPECIAL	1		C		
7	783-11622-20	R-B 7831162120 ROPE	1		F		
8	780-11600-201	GUIDE,ROPE	1		C		
9	781-11600-200	CLIP,ROPE GUIDE	1		D	~M130823	
9	781-11621-20	CLIP,ROPE GUIDE	1		D	~N007370	
10	785-11600-202	HANDLE,STARTER	1		D		
11	833-10207-200	CAP,STARTER HANDLE	1		D		
12	805-32650-201	PLATE,DAMPER	1		D		
13	782-11600-21	RECEIVER,ROPE	1		D		
14	990-51040-103	BOLT,HEX.HOLE,4X10	2		A		
15	992-10040-012	WASHER,S,4	2		A		
16	991-01050-013	NUT,5	1		C		
17	992-10050-012	WASHER,S,5	1		A		
18	990-51050-223	BOLT,HEX,5X22	2		C		
19	990-51040-123	BOLT,HEX.HOLE,4X12	4		C		
20	992-10040-012	WASHER,S,4	4		A		
21	992-00040-011	WASHER,4	4		B		
22	827-11660-200	PLATE,RECOIL SPRING	1		C		
24	795-11600-200	STOPPER,ROPE	1		D		
25	990-51050-153	BOLT,HEX.HOLE,5X15	2		C		
26	992-00050-011	WASHER,SMALL,5	2		B		
27	990-11030-061	SCREW,3X6	3		C		
28	992-10030-012	WASHER,S.,3	3		C		
29	801-11622-200	WASHER,PULLEY	1		D		
1	112-11622-80	CASE,FAN	1		C	N007371~	New style recoil starter system (Ref 0)
2	779-11620-20	SPRING,RECOIL	1		B	"	Can be fitted to older units if the
3	778-11622-200	PANEL,STARTER	1		D	"	Mag. rotor 155-21738-80 is fitted
4	774-11620-20	PULLEY,STARTER	1		C	"	(see fig. 1)
7	783-11621-200	ROPE,STARTER	1		D	"	
10	785-11600-202	HANDLE,STARTER	1		D	"	

\* Indicates the part is included in a kit or assembly and is not available individually. Q=Quan. used  
C=Interchangeability S=Stocking code: A=Fast moving B=Med. fast C=Med. move D=Slow move  
E=N.L.A. F=Superseded or replaced by a new part

FIGURE 4 cont.

ECS-655 PARTS LISTING

REF.	PART NO.	PART DESCRIPTION	Q	C	S	SERIAL NO.	REMARKS
11	833-10207-200	CAP,STARTER HANDLE	1		C		
12	805-32650-201	PLATE,DAMPER	1		C		
18	990-51050-223	BOLT,HEX,5X22	2		C		
19	990-51040-123	BOLT,HEX.HOLE,4X12	4		C		
20	992-10040-012	WASHER,S,4	4		A		
21	992-00040-011	WASHER,4	4		B		
22	827-11660-200	PLATE,RECOIL SPRING	1		C		
24	795-11600-200	STOPPER,ROPE	1		D		
25	990-51050-153	BOLT,HEX.HOLE,5X15	2		C		
26	992-00050-011	WASHER,SMALL,5	2		B		
27	990-11030-061	SCREW,3X6	3		C		
28	992-10030-012	WASHER,S.,3	3		C		
30	788-11620-20	PAWL,STARTER	1		C		
31	836-11620-20	SPRING,FRICITION	1		C		
32	034-31200-250	SHIM,8.2X12.5X.50	1		D		

\* Indicates the part is included in a kit or assembly and is not available individually. Q=Quan. used  
 C=Interchangeability S=Stocking code: A-Fast moving B=Med. fast C=Med. move D=Slow move  
 E=N.L.A. F=Superceded or replaced by a new part

# FIG.5 CARBURETOR

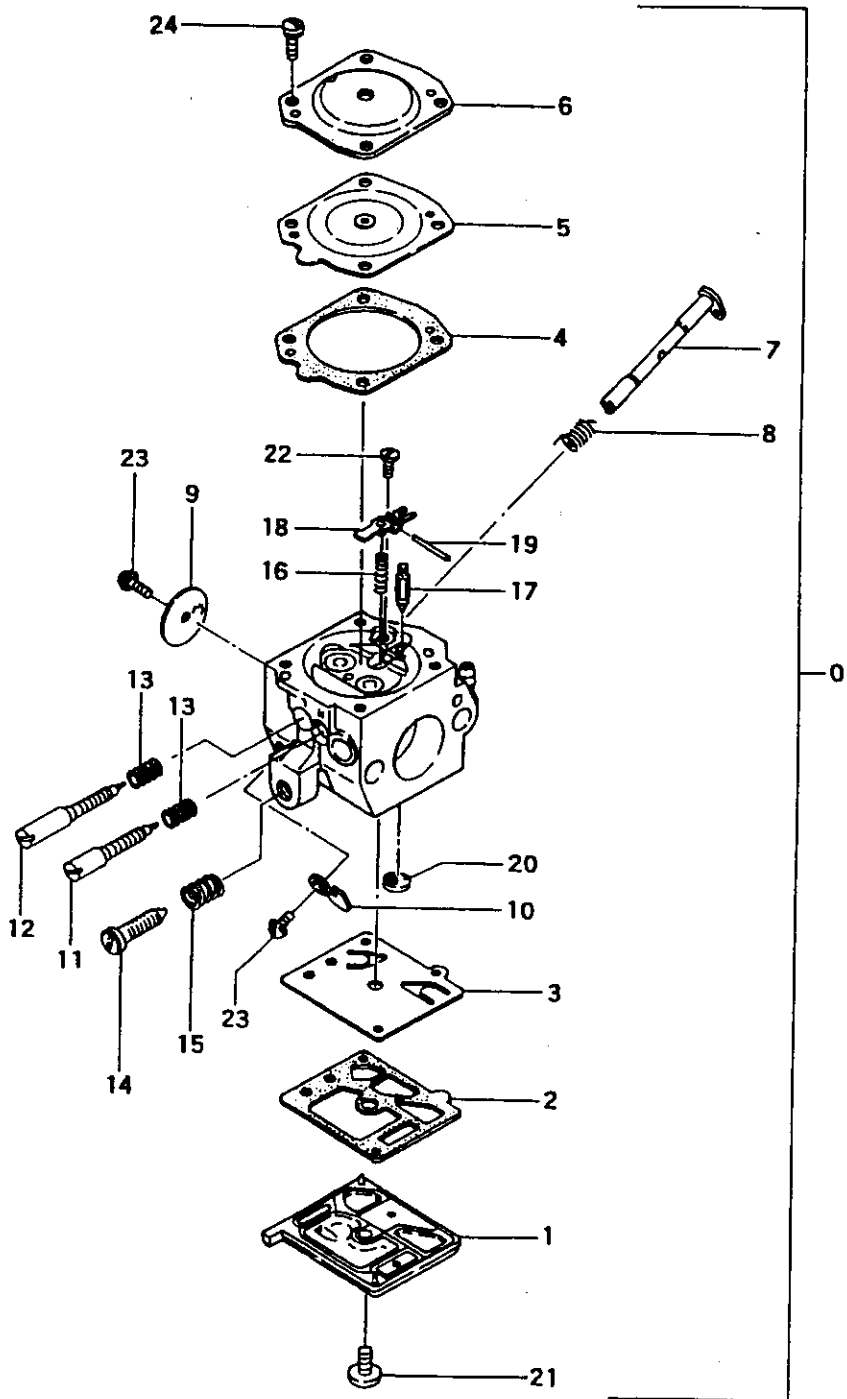


FIGURE 5

ECS-655 PARTS LISTING

REF.	PART NO.	PART DESCRIPTION	Q	C	S	SERIAL NO	REMARKS
0	455-25012-902	CARBURETOR,ASS'Y	1		C	~M068925	* Contained in Carb. Repair Kit 650-25012-910 Not available individually
0	455-25036-90	CARBURETOR,ASS'Y	1		D	M068926~	
1	575-25012-200	BODY,PUMP	1		D		
2	----	*GASKET,PUMP	1		C		
3	----	*DIAPHRAGM,PUMP	1		C		
4	----	*GASKET,DIAPHRAGM	1		C		
5	----	*DIAPHRAGM,METERING	1		C		
6	476-25012-201	COVER,DIAPHRAGM	1		D		
7	464-25012-800	SHAFT,THROTTLE	1		D		
8	486-25012-200	SPRING,THROTTLE	1		D		
9	488-25001-200	VALVE,THROTTLE	1		C		
10	559-25012-200	PLATE,STOP	1		D		
11	460-25012-201	SCREW,HIGH ADJUST	1		D	~D055565	
11	460-25012-210	SCREW,HIGH ADJUST	1		D	~M068925	
11	460-25036-20	SCREW,HIGH ADJUST	1		D	M068926~	
12	461-25012-201	SCREW,LOW ADJUST	1		D	~D055565	
12	461-25012-210	SCREW,LOW ADJUST	1		D	~M068925	
12	461-25036-20	SCREW,LOW ADJUST	1		D	M068926~	
13	623-25001-200	SPRING,ADJUST,LOW	2		D		
14	462-25016-200	SCREW,IDLE ADJUST	1		D		
15	463-25012-200	SPRING,IDLE ADJUST	1		D		
16	477-25012-200	SPRING,VALVE	1		D		
17	----	*VALVE,NEEDLE	1		C		
18	----	*LEVER,CONTROL	1		D		
19	----	*PIN,FLOAT	1		D		
20	----	*SCREEN,INLET	1		C		
21	514-25012-200	SET,SCREW	1		D		
22	546-25001-200	SCREW,SET,HINGE PIN	1		D		
23	467-25003-200	SCREW,SHUTTER	2		C		
24	548-25012-200	SCREW,SET	4		D		

\* Indicates the part is included in a kit or assembly and is not available individually. Q=Quan. used  
 C=Interchangeability S=Stocking code: A=Fast moving B=Med. fast C=Med. move D=Slow move  
 E=N.L.A. F=Superseded or replaced by a new part

# FIG. 6 REAR HANDLE

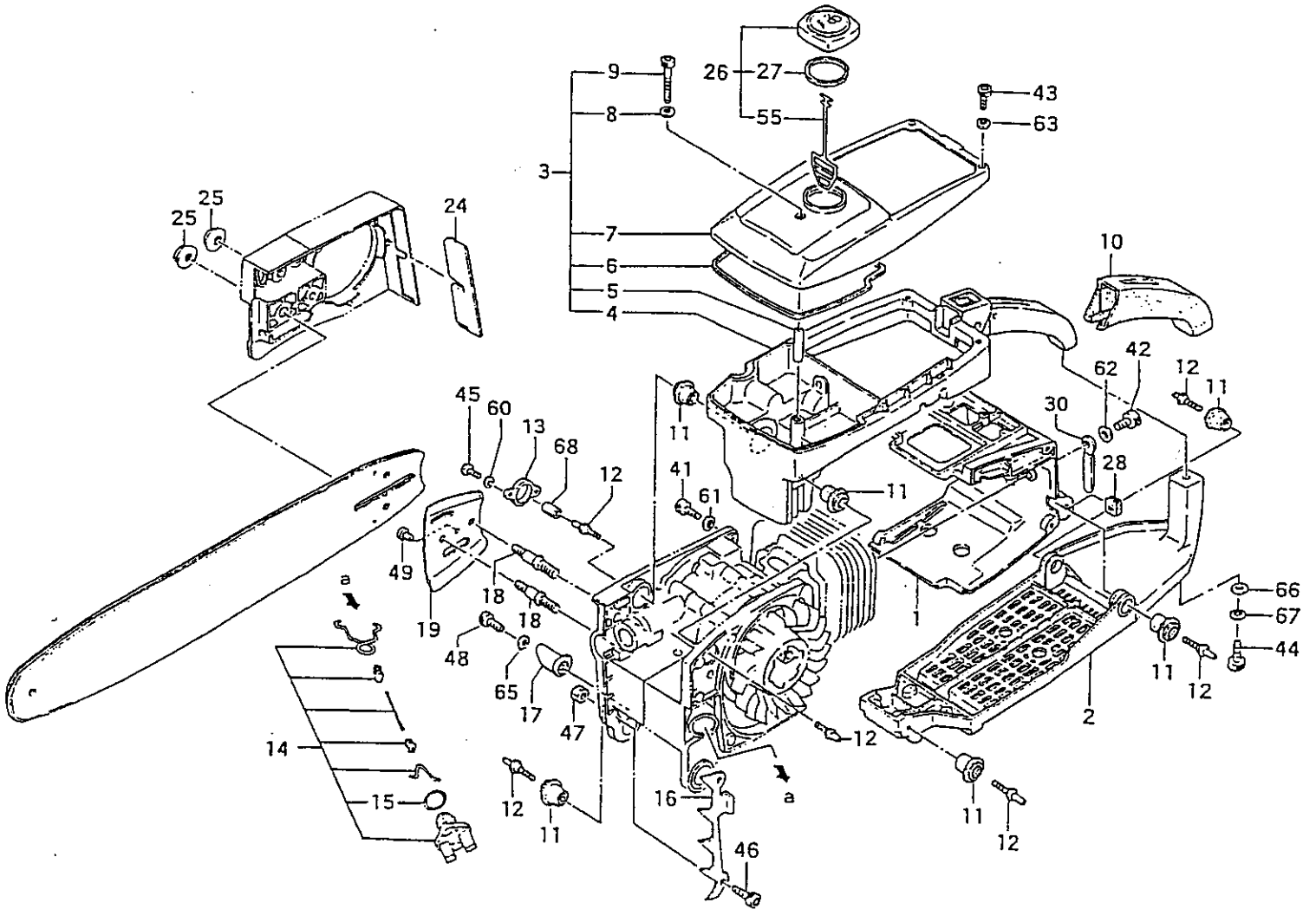




FIGURE 6

## ECS-655 PARTS LISTING

REF.	PART NO.	PART DESCRIPTION	Q	C	S	SERIAL NO	REMARKS
1	016-11600-211	COVER,CYLINDER	1		D	-C189252	
1	016-11600-212	COVER,CYLINDER	1		D	C189253~	
2	002-32600-21	BASE,ENGINE	1		C		
3	010-32600-910	HANDLE,REAR,A	1		D		
4	010-32600-211	HANDLE,REAR,A	1		C		
5	096-11600-200	COLLAR	1		D		
6	605-32600-201	GASKET,TANK	1		C		
7	600-32600-203	COVER,TANK	1		D		
8	317-11401-200	GASKET,GROMMET	1		D		
9	990-51050-453	BOLT,HEX,5X45	1		C		
10	227-32600-212	GRIP,REAR HANDLE	1		D		
11	219-32600-821	DAMPER,FRONT	6		C		
12	295-32600-202	BOLT,DAMPER A	6		D		
13	224-32600-200	CAP,DAMPER	1		D		
14	642-32650-901	CAP,OIL ASS'Y	1		C		
15	999-67020-000	O-RING,P20	1		C		
16	CBS--650-	SPIKE,BUCKING	1		D		
17	125-32600-201	CATCHER,CHAIN	1		D		
18	101-32600-20	BOLT,STUD,BAR/CHAIN	2		C		
19	461-32600-202	PLATE,GUIDE A	1		D		
24	325-32600-201	PLATE,CHAIN PROTECTOR	1		C		
25	121-32600-200	NUT,CLAMP,BAR	2		C		
26	635-32615-910	CAP,FUEL TANK ASS'Y	1		C		
27	642-11600-200	GASKET,TANK CAP	1		C		
28	203-0604A-202	GROMMET	1		C		
30	198-05015-800	CLAMP,CORD	1		C		
41	990-51050-153	BOLT,HEX.HOLE,5X15	2		C		
42	990-51050-153	BOLT,HEX.HOLE,5X15	2		C		
43	990-51040-103	BOLT,HEX.HOLE,4X10	2		A		
44	990-51050-203	BOLT,HEX.HOLE,5X20	1		C		
45	990-11040-081	SCREW,4X8	2		C		
46	990-51050-123	BOLT,HEX,5X12	2		C		
47	991-78050-010	NUT,LOCK 5	2		C		
48	990-51050-183	BOLT,HEX,5X18	1		D		
49	990-11040-081	SCREW,4X8	1		C		
55	626-32810-200	CHAIN,TANK CAP	1		D		
60	992-00040-011	WASHER,4	2		B		
61	992-00050-011	WASHER,SMALL,5	2		C		
62	992-00050-011	WASHER,SMALL,5	2		C		

\* Indicates the part is included in a kit or assembly and is not available individually. Q=Quan. used  
C=Interchangeability S=Stocking code: A=Fast moving B=Med. fast C=Med. move D=Slow move  
E=N.L.A. F=Superseded or replaced by a new part

FIGURE 6 cont.

ECS-655 PARTS LISTING

REF.	PART NO.	PART DESCRIPTION	Q	C	S	SERIAL NO.	REMARKS
63	992-00040-011	WASHER,4	2		B		
65	992-00050-011	WASHER,SMALL,5	1		C		
66	992-00050-011	WASHER,SMALL,5	1		C		
67	992-10050-012	WASHER,S,5	1		A		
68	700-15008-014	PIPE,FUEL,5X8X14	1		C		

\* Indicates the part is included in a kit or assembly and is not available individually. Q=Quan. used  
 C=Interchangeability S=Stocking code: A-Fast moving B=Med. fast C=Med. move D=Slow move  
 E=N.L.A. F=Superceded or replaced by a new part

**FIG.7 OIL PUMP & HANDLE**

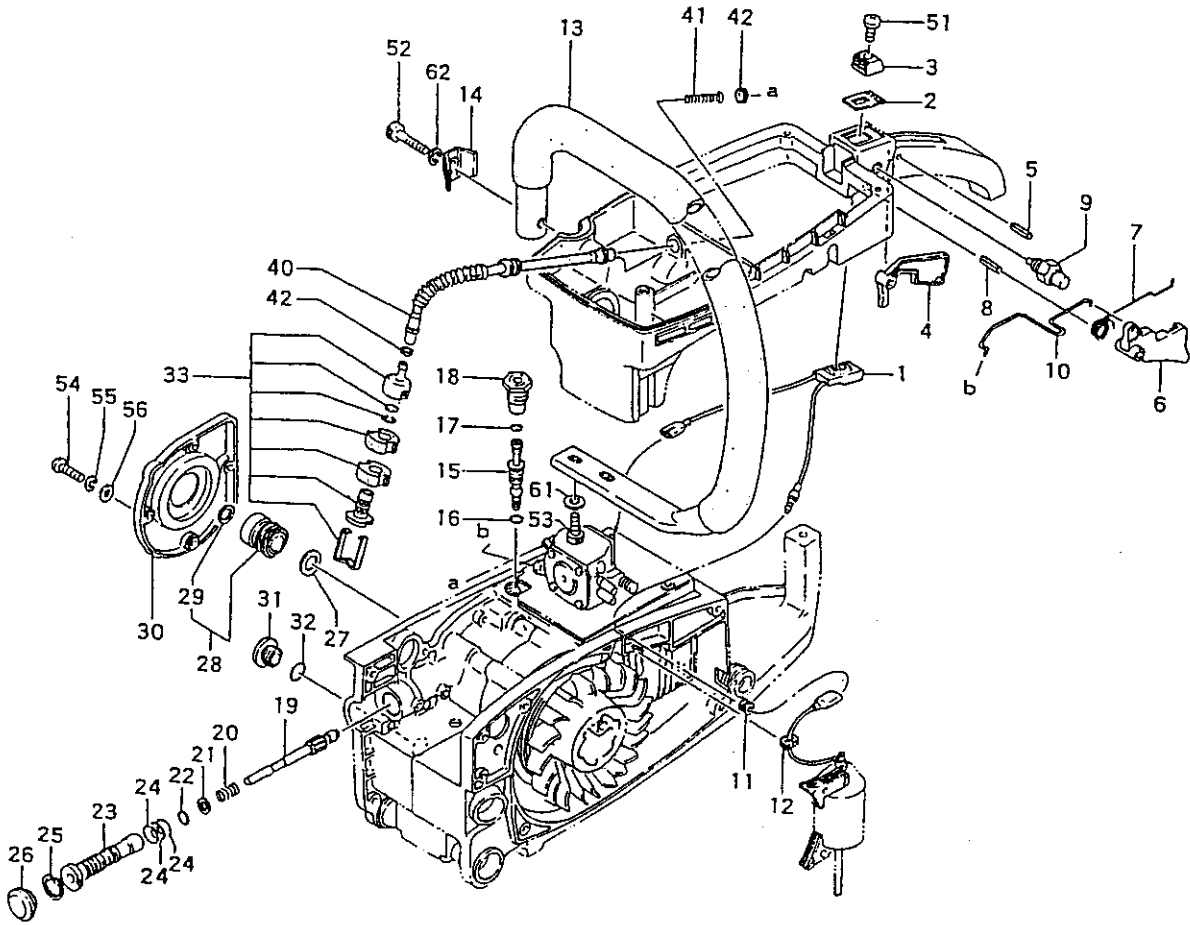


FIGURE 7

## ECS-655 PARTS LISTING

REF.	PART NO.	PART DESCRIPTION	Q	C	S	SERIAL NO	REMARKS
1	170-11600-802	BUTTON,STOP	1		C		
2	925-32600-200	DECAL,STOP BUTTON	1		D		
3	258-11650-20	BUTTON,STOP	1		C		
4	257-32600-201	LEVER,SAFETY	1		D		
5	993-24004-180	PIN,SPRING	1		D		
6	060-32600-211	LEVER,THROTTLE	1		D		
7	061-32600-201	SPRING,THROTTLE LEVER	1		D		
8	993-26005-254	PIN,SPRING,5X25	1		D		
9	064-33225-800	PIN,PUSH	1		C		
10	490-32650-201	ROD,THROTTLE	1		B		
11	203-04015-202	GROMMET,PRIMARY CORD	1		C		
12	203-06000-200	GROMMET,PRIMARY CORD	1		C	~C189252	
12	203-11660-200	GROMMET,PRIMARY CORD	1		D	C189253~	
13	209-32650-800	HANDLE,FRONT	1		D		
14	211-32600-200	SUPPORT,FRONT HANDLE	1		D		
15	501-32600-210	ADJUSTER,OIL PUMP	1		D		
16	999-67006-000	O-RING,P-6	1		D		
17	999-67005-012	O-RING,S-5	1		D		
18	503-32600-200	CAP,OIL PUMP ADJUSTER	1		D		
19	085-32600-210	GEAR,PUMP	1		D		
20	099-32600-202	SPRING,GEAR,PUMP	1		D		
21	870-32600-200	WASHER,SPECIAL,A	1		D		
22	999-67006-012	O-RING,S-6	1		C		
23	071-32600-800	CYLINDER,OIL PUMP	1		D		
24	999-67009-012	O-RING,S-9	3		C		
25	993-51016-002	RING,STOP,16	1		D		
26	052-32500-200	GROMMET,RUBBER A	1		D		
27	430-32600-200	WASHER,THRUST	1		D		
28	084-32600-903	GEAR,SCREW,ASS'Y	1		D		
29	999-66121-626	SEAL,OIL,#12163	1		D		
30	097-32600-210	COVER,OIL PUMP	1		D		
31	525-32350-201	CAP,OIL LEVEL	1		D		
31	525-32530-200	CAP,OIL	1		D		
32	999-67012-500	O-RING,P12.5	1		D		
32	999-67020-000	O-RING,P20	1		C		
33	675-01630-900	FILTER,FUEL	1		A		
40	678-11650-201	PIPE,RUBBER	1		B		
41	512-11600-200	COIL,PROTECTION	1		D		
42	680-04019-210	CLIP,7	2		B		

\* Indicates the part is included in a kit or assembly and is not available individually. Q=Quan. used  
C=Interchangeability S=Stocking code: A=Fast moving B=Med. fast C=Med. move D=Slow move  
E=N.L.A. F=Superseded or replaced by a new part

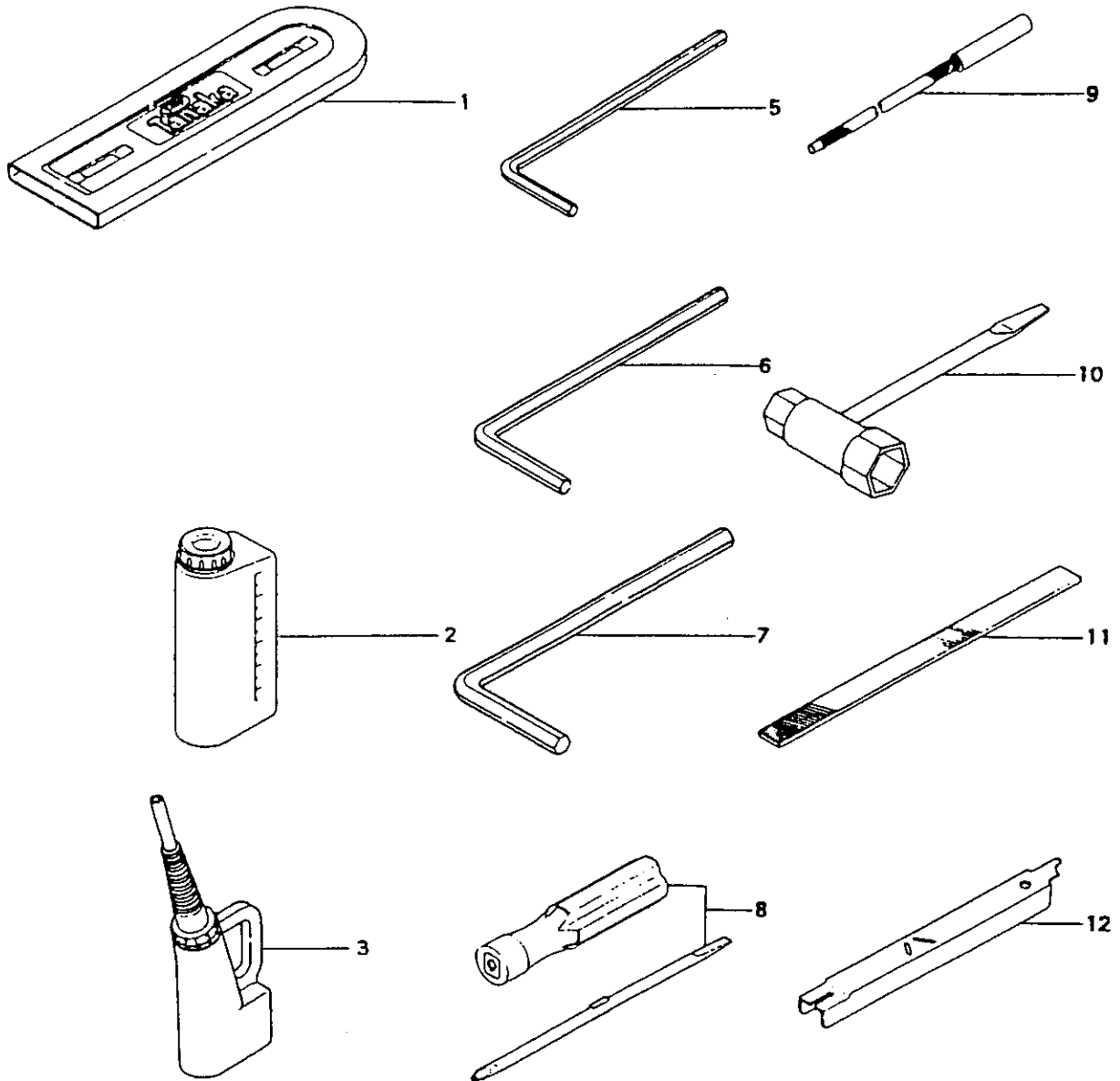
FIGURE 7 cont.

ECS-655 PARTS LISTING

REF.	PART NO.	PART DESCRIPTION	Q	C	S	SERIAL NO.	REMARKS
51	990-11030-101	SCREW,3X10	1		B		
52	990-51080-353	BOLT,HEX.HOLE,8X35	1		D		
53	990-51050-183	BOLT,HEX,5X18	2		D	~C189252	
53	990-51050-153	BOLT,HEX.HOLE,5X15	2		C	C189253~	
54	990-11040-101	SCREW,4X10	4		A		
55	992-10040-012	WASHER,S,4	4		B		
56	992-00040-011	WASHER,4	4		B		
61	992-01050-011	WASHER,5	2		A		
62	992-10080-012	WASHER,S,8	1		B		

\* Indicates the part is included in a kit or assembly and is not available individually. Q=Quan. used  
 C=Interchangeability S=Stocking code: A-Fast moving B=Med. fast C=Med. move D=Slow move  
 E=N.L.A. F=Superceded or replaced by a new part

## FIG. 8 TOOLS

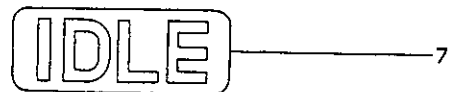
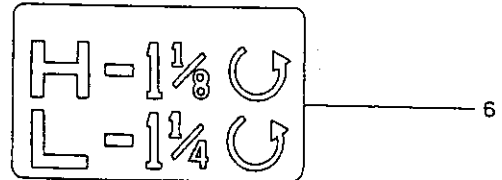
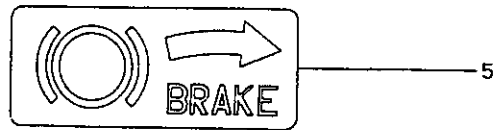
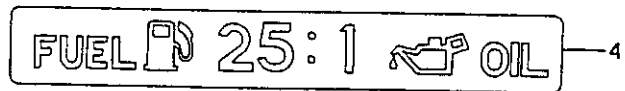
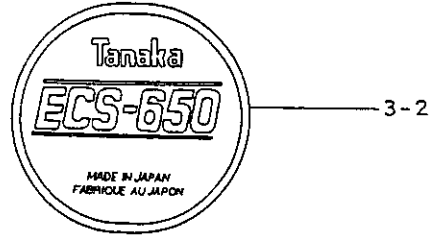
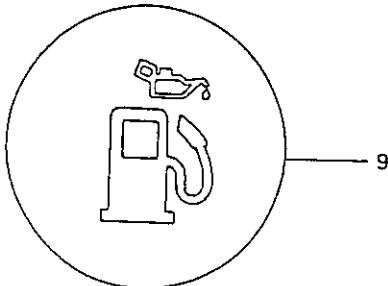
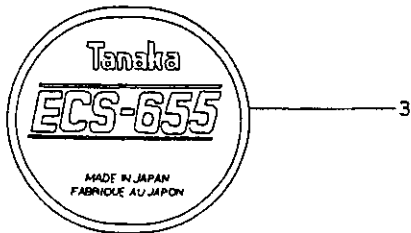
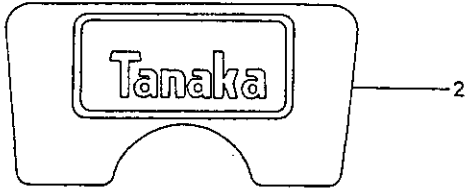
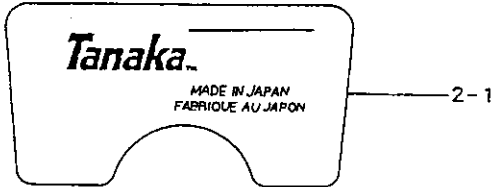
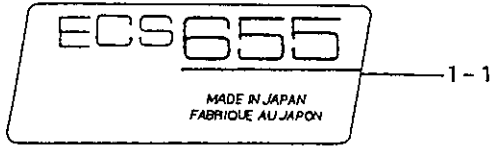
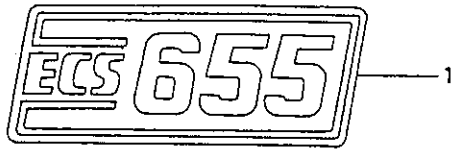


**FIGURE 8**

### ECS-655 PARTS LISTING

REF.	PART NO.	PART DESCRIPTION	Q	C	S	SERIAL NO.	REMARKS
1	BCC-200	COVER,BAR/CHAIN,20"	1		D		
2	872-20000-201	CANISTER,FUEL PREMIX	1		D		
3	872-29040-900	BOTTLE,FUEL MIXING	1		E		
5	812-20000-200	WRENCH,HEX,3	1		D		
6	813-20000-200	WRENCH,HEX,4	1		D		
7	815-20000-200	SPANNER,6,HEX/BAR	1		D		
8	901-32600-900	DRIVER,ASS'Y	1		D		
9	CSF-316	FILE,ROUND,3/16"	1		D		
10	883-32600-200	SPANNER,COMBO	1		D		
11	CSF-800	FILE,FLAT,8"	1		D		
12	CDG-600	GUAGE,DEPTH	1		D		

# FIG.9 MARKS



**WARNING**  
 Read and follow all safety precautions in the owner's manual. This saw is capable of severe "KICK BACK". Avoid contact of bar tip with any object, as this may cause the bar to kickback suddenly. This can result in serious injury to user. Do not operate this saw unless you have extraordinary cutting needs, experience and training for dealing with "KICK BACK". Always use two hands to operate this saw. Saws with reduced "KICK BACK" potential are available.

8

FIGURE 9

ECS-655 PARTS LISTING

REF.	PART NO.	PART DESCRIPTION	Q	C	S	SERIAL NO	REMARKS
1-2	906-32650-200	DECAL	1		D	~K102600	
1-1	906-32653-201	DECAL	1		D	~P050120	
1	906-32656-20	DECAL	1		D	P050121~	
2	929-11650-201	DECAL	1		D	~K102600	
2-1	929-11653-200	DECAL	1		D	~P050120	
3-2	915-32650-202	DECAL,STARTER	1		D	~K102600	
3-1	950-32603-200	DECAL,PRO-FORCE A	1		D	~P050120	
3	91532656201	DECAL,STARTER	1		D	P050121~	
4	935-32600-200	DECAL	1		D		
5	93732600200	DECAL	1		D		
6	91032650230	DECAL,CAUTION,CARBURETOR	1		D		
7	91132365200	DECAL,IDLE	1		D		
8	907-32653-200	DECAL,CAUTION	1		D		
9	920-32650-201	DECAL,FUEL	1		E		

\* Indicates the part is included in a kit or assembly and is not available individually. Q=Quan. used  
 C=Interchangeability S=Stocking code: A=Fast moving B=Med. fast C=Med. move D=Slow move  
 E=N.L.A. F=Superceded or replaced by a new part