

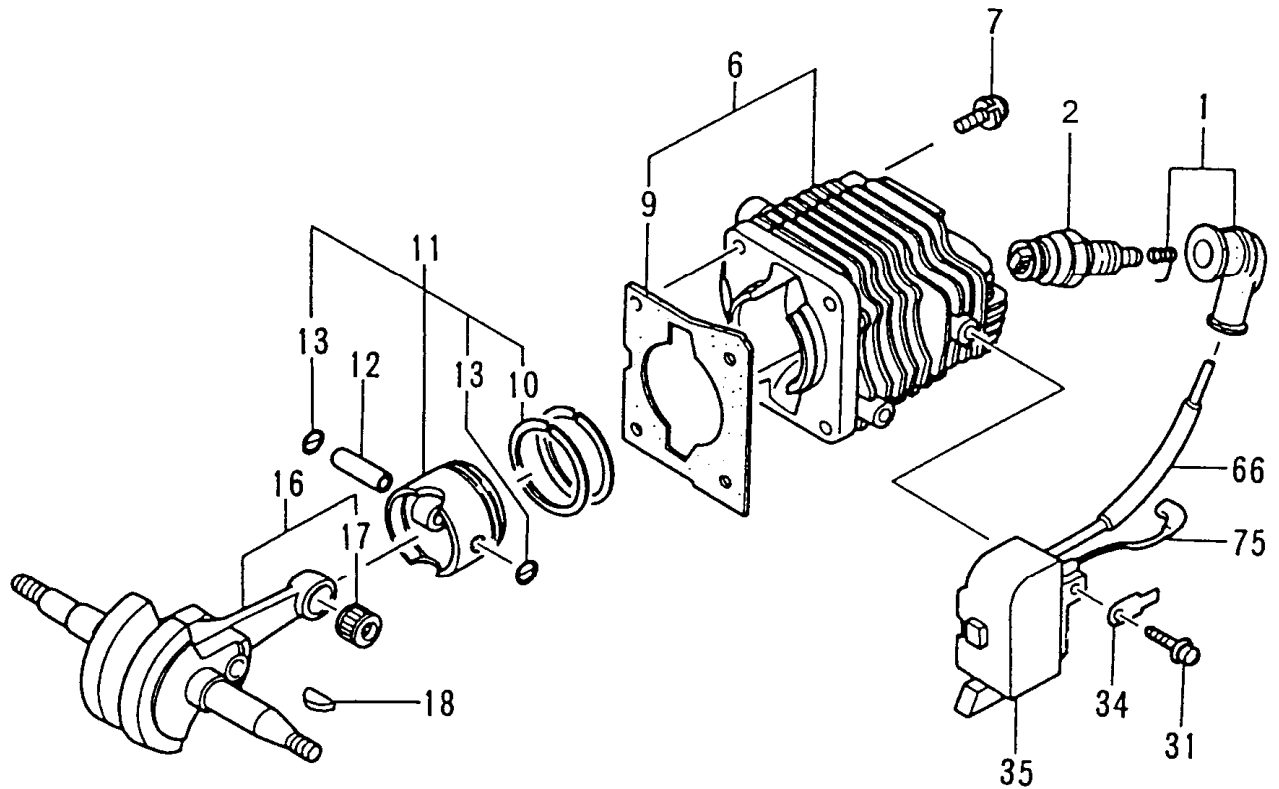
C05

Tanaka

ECS-3351/B

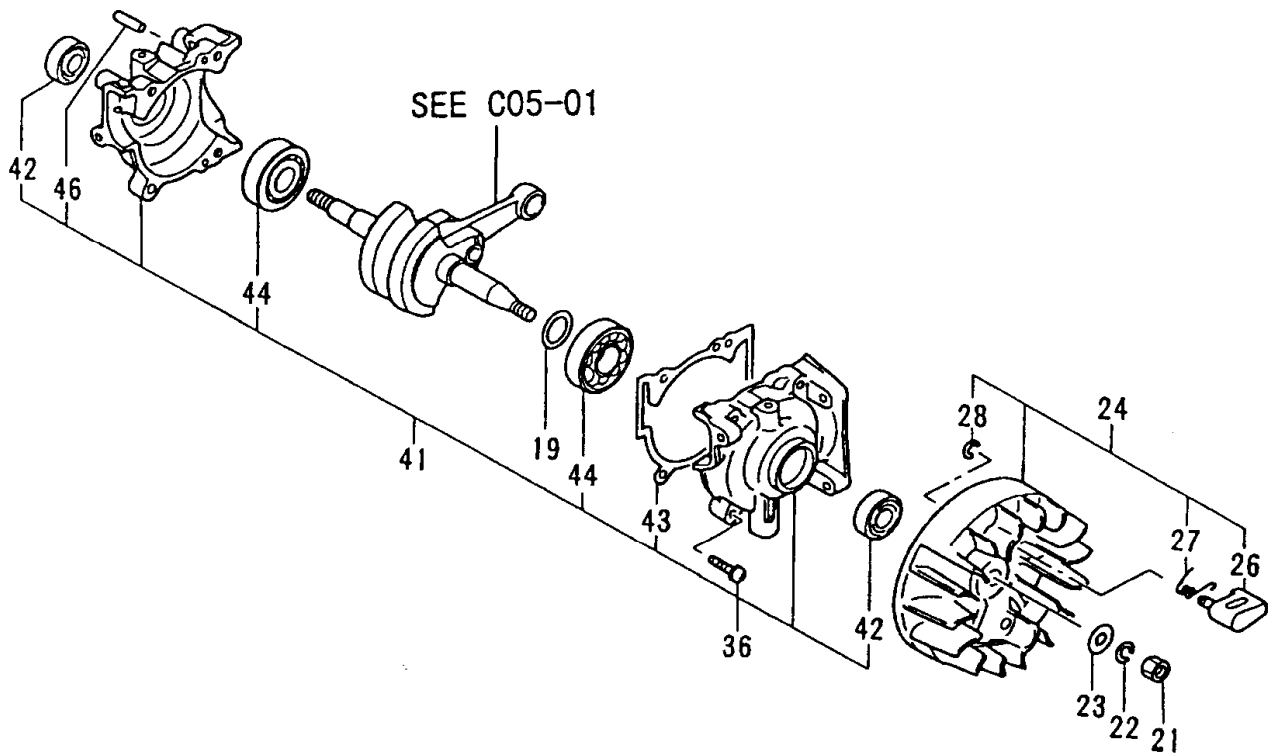
Serial No. -C165650

C05-01 CYLINDER/PISTON/CRANK SHAFT



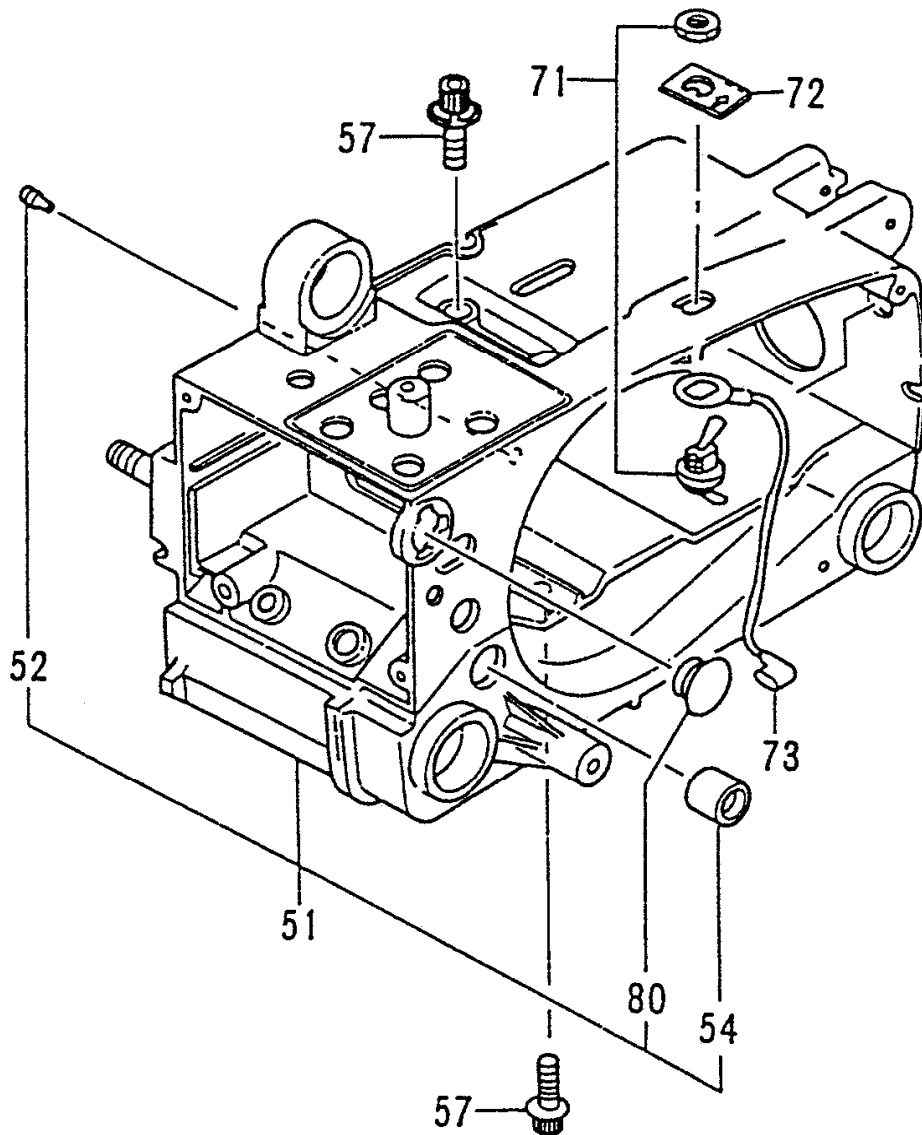
REF. NUMBER	PARTS NUMBER	DESCRIPTION	Q'TY	SERIAL NUMBER
C05-01 CYLINDER/PISTON/CRANK SHAFT				
001	668-7479	SPARK PLUG CAP ASS'Y	1	
002	668-5771	SPARK PLUG CJ8	1	
006	668-5456	CYLINDER SET	1	- U016860
006	668-5457	CYLINDER SET	1	U016861 -
007	668-4903	HEX.HOLE BOLT M5X16/S	4	
009	668-5724	CYLINDER GASKET	1	
010	668-5081	PISTON RING	2	
011	668-5878	PISTON SET	1	- U016860
011	668-5879	PISTON SET	1	U016861 -
012	668-6008	PISTON PIN	1	
013	668-5078	CIRCLIP	2	
016	668-6171	CRANK SHAFT COMP.	1	
017	669-5592	NEEDLE BRG F-910 1.4X8.5	1	
018	668-4899	WOODRUFF KEY 3X13X4.5	1	
031	669-5407	HIGH TENSION SCREW 4X18WS	2	
034	668-8060	TAB	1	
035	668-7697	IGNITION COIL COMP.	1	- U016860
035	668-7700	IGNITION COIL COMP.	1	U016861 -
066	669-2900	CORD INSULATOR TUBE	1	
075	668-7837	CORD, B 70M	1	

C05-02 CRANK CASE



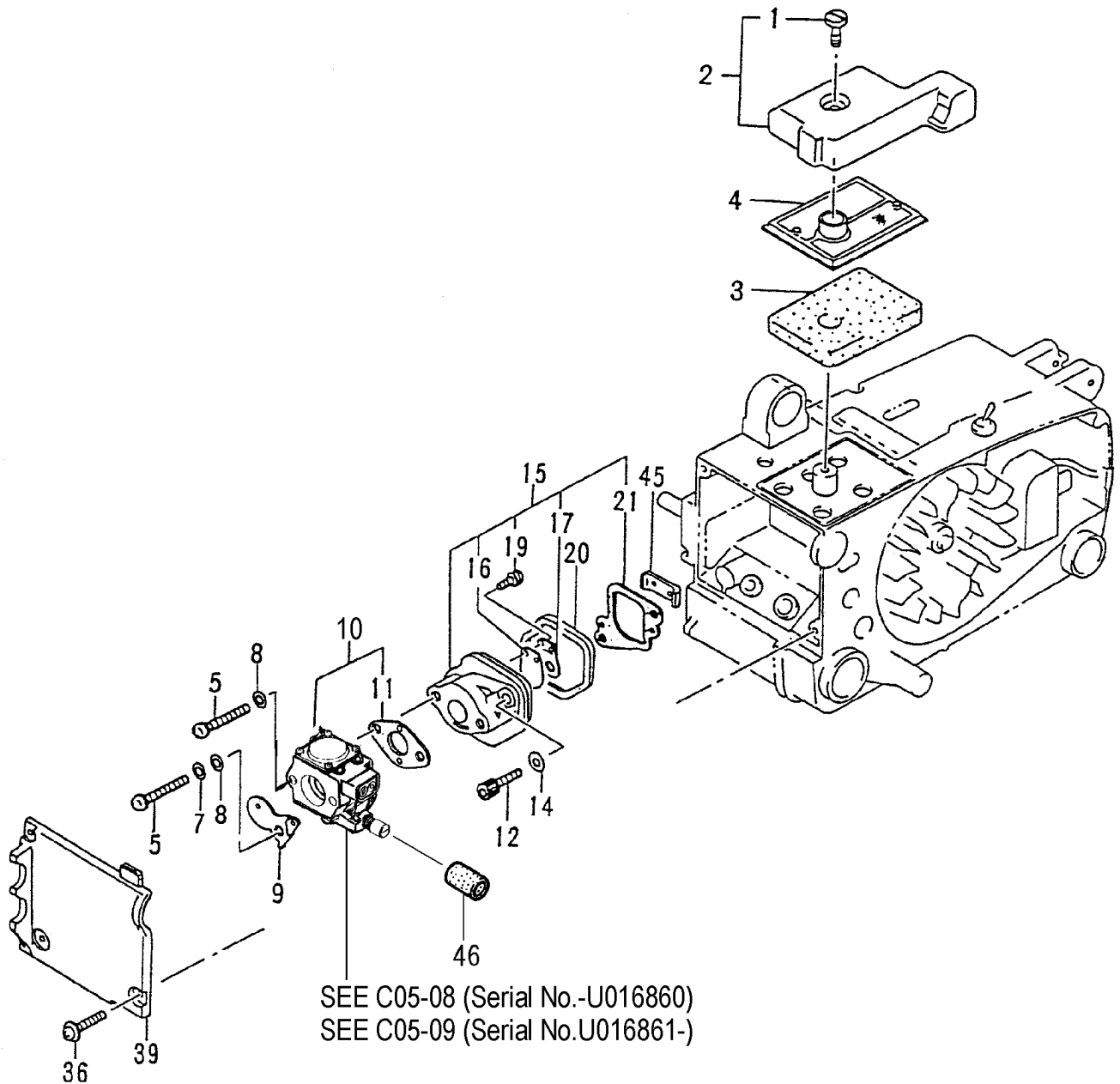
REF. NUMBER	PARTS NUMBER	DESCRIPTION	Q'TY	SERIAL NUMBER
C05-02 CRANK CASE				
019	668-6474	SHIM 0.1	V	
019	668-5098	SHIM S T0.2	V	
019	668-5099	SHIM S T0.3	V	
019	668-6475	SHIM 0.4	V	
021	668-5104	FLYWHEEL NUT	1	
022	669-5222	S.WASHER 7	1	
023	668-5103	BOLT WASHER M7	1	
024	668-7393	MAGNETO ROTOR ASS'Y	1	- U016860
024	668-7394	MAGNETO ROTOR ASS'Y	1	U016861 -
026	668-5106	STARTER PAWL	2	
027	668-5105	STARTER PAWL SPRING	2	
028	668-5101	D4E RETAINING RING	2	
036	668-4668	HEX.HOLE BOLT M5X20/S	4	
041	668-6522	CRANK CASE ASS'Y	1	- C110350
041	668-6523	CRANK CASE ASS'Y	1	C110351 -
042	668-4607	OIL SEAL TB 12227	2	
043	668-6698	CRANK CASE GASKET	1	- R138860
043	668-6699	CRANK CASE GASKET	1	- Y212500
043	668-6700	CRANK CASE GASKET	1	- C110350
043	668-6701	CRANK CASE GASKET	1	C110351 -
044	668-5096	BALL BEARING 6201 A2C3	2	
046	668-5095	NEEDLE ROLLER 2.5X9.8	1	

C05-03 ENGINE CASE



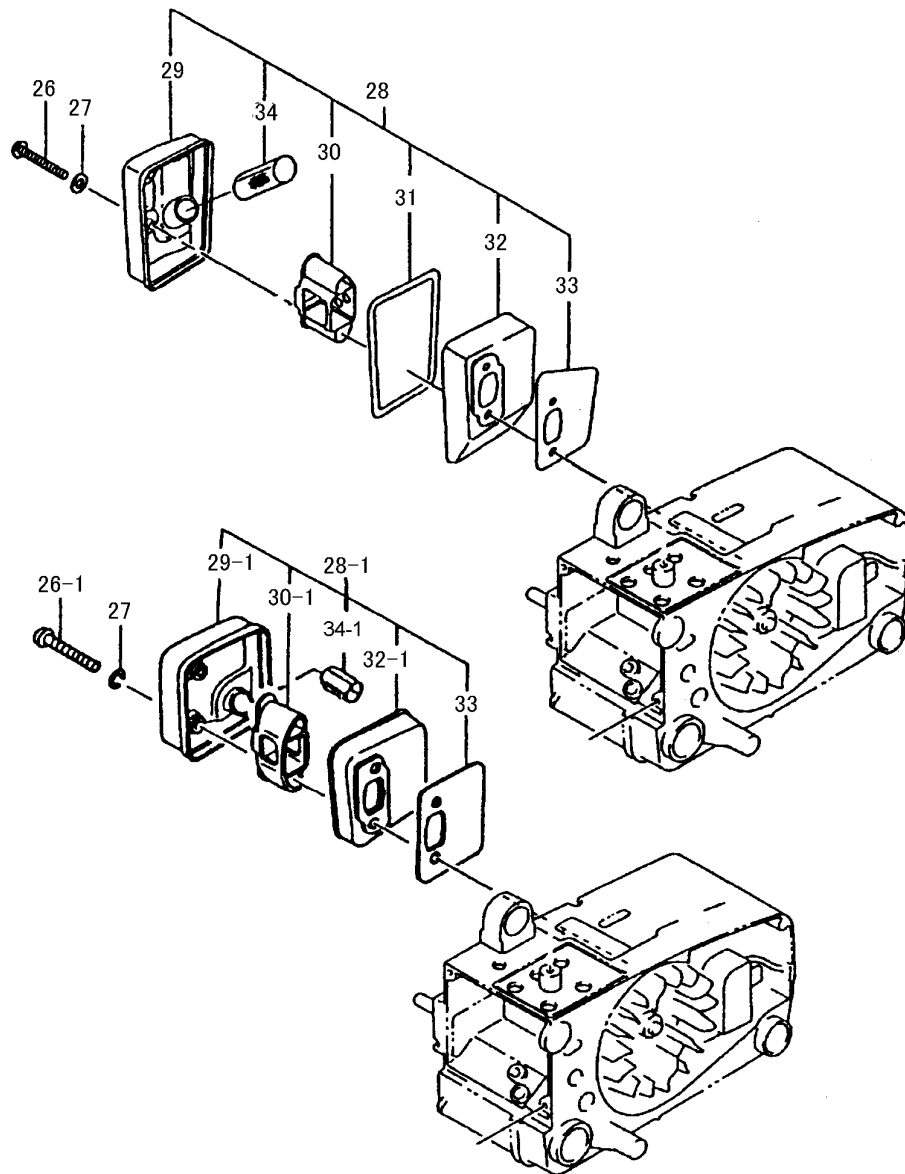
REF. NUMBER	PARTS NUMBER	DESCRIPTION	Q'TY	SERIAL NUMBER
C05-03 ENGINE CASE				
051	669-1360	ENGINE CASE ASSY, VERMILION	1	
052	668-5173	AIR VENT VALVE (B)	1	
054	669-2164	AIR VENT VALVE SET	1	
057	668-4634	HEX.HOLE BOLT 5X20/PS	4	
071	668-7502	STOP SWITCH ASS'Y	1	
072	668-7949	SWITCH NAME PLATE	1	
073	668-8446	EARTH CORD COMP.	1	
080	668-6329	GROMMET A	1	

C05-04 AIR CLEANER



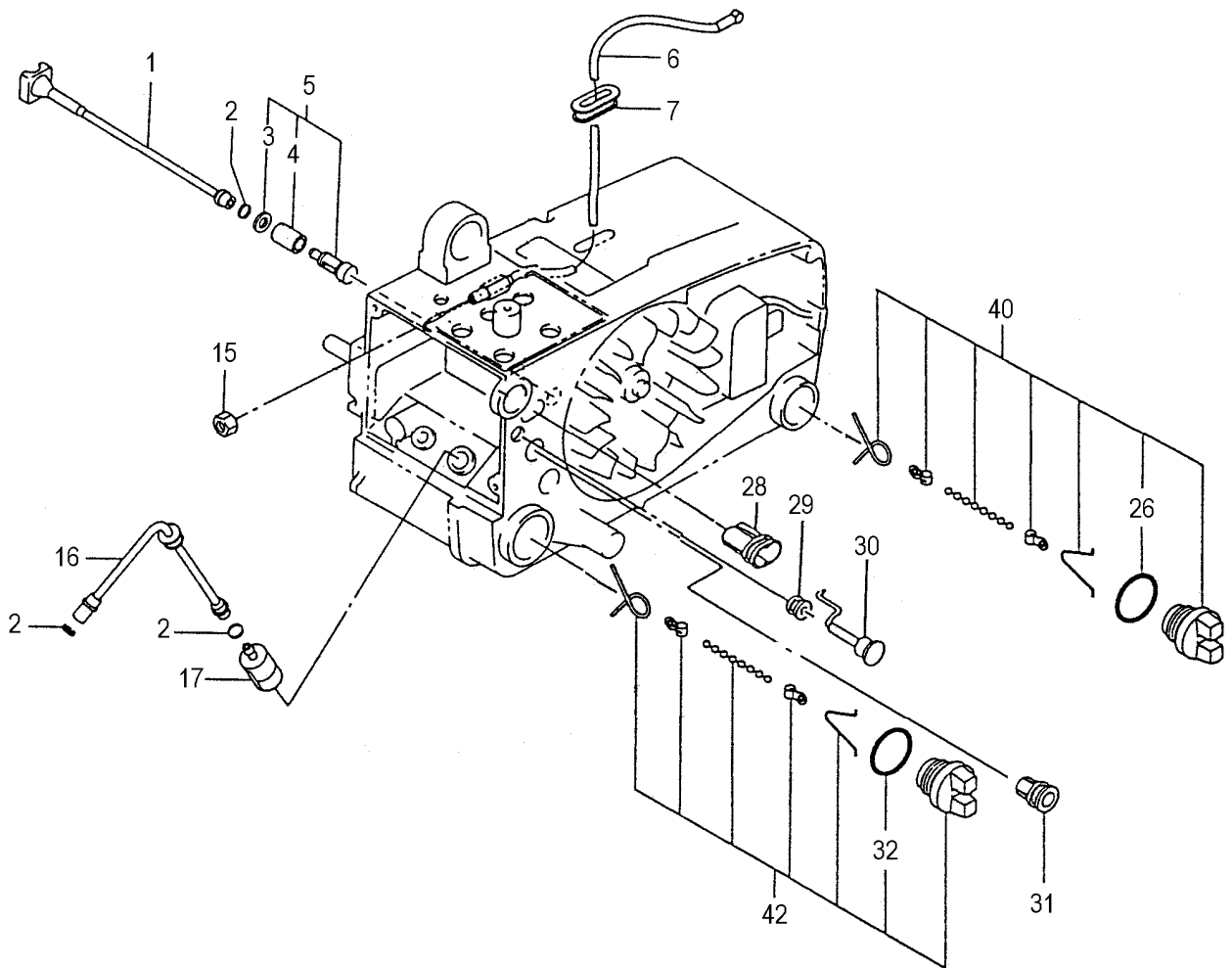
REF. NUMBER	PARTS NUMBER	DESCRIPTION	Q'TY	SERIAL NUMBER
C05-04 AIR CLEANER				
001	668-9735	CLEANER COVER BOLT	1	
002	668-6299	AIRCLEANER COVER A SET, SPARE	1	
003	669-0355	AIRCLEANER SPONGE	1	Q211237 -
004	669-0064	AIRCLEANER ELEMENT COMP.	1	
005	669-5350	SCREW 5X45S	2	
007	668-4661	WASHER 5	1	- R138860
007	668-4864	SMALL WASHER 5	1	R138861 -
008	669-2596	CHOKE SHIM 0.8	2	- R138860
009	669-2410	CHOKE VALVE	1	
010	669-0660	CARBURETOR SET	1	- U016860
010	669-0664	CARBURETOR SET, SPARE	1	U016861 -
011	668-9826	CARBURETOR GASKET	1	
012	668-4668	HEX.HOLE BOLT M5X20/S	2	
014	668-4864	SMALL WASHER 5	2	
015	668-9934	CARBURETOR INSULATOR SET, SPARE	1	- C110350
015	668-9935	INSULATOR SET	1	C110351 -
016	668-9802	REED VALVE	1	- C110350
016	668-9803	REED VALVE	1	C110351 -
017	668-9805	REED VALVE HOLDER	1	- C110350
017	668-9806	VALVE HOLDER	1	C110351 -
019	669-4964	BINDING HEAD SCREW 3X12	2	
020	669-0001	CARBURETOR INSULATOR RUBBER	1	
021	668-9870	INLET MANIFOLD GASKET	1	- C110350
021	668-9871	INSULATOR GASKET	1	C110351 -
036	669-5109	TAPPING SCREW 4.5X12	3	- U016860
036	668-5152	TAPPING SCREW D4.5X14	3	U016861 -
039	668-7347	AIRCLEANER COVER B, BLACK	1	- U016860
039	668-7344	AIRCLEANER COVER B	1	U016861 -
045	668-7182	SEAL COVER	1	
046	668-5224	IDLE SPONGE	1	Z116001 -

C05-05 MUFFLER



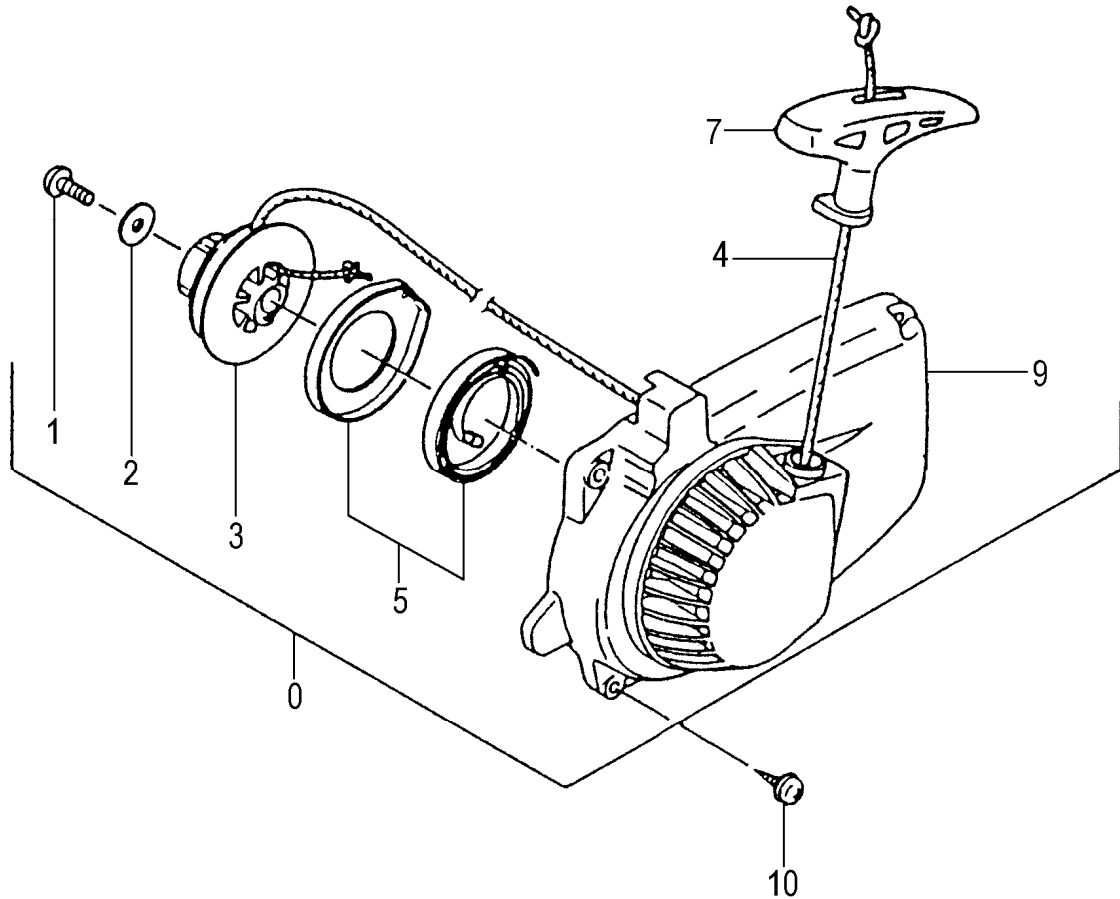
REF. NUMBER	PARTS NUMBER	DESCRIPTION	Q'TY	SERIAL NUMBER
C05-05 MUFFLER				
026,1	669-4901	SCREW 5X35	2	- U016860
026	669-4906	SCREW 5X40	2	U016861 -
027	668-4661	WASHER 5	2	
028,1	669-2442	MUFFLER SET	1	- U016860
028	669-2445	MUFFLER SET, SPARE	1	- C158850
028	669-2446	MUFFLER SET	1	C158851 -
029,1	669-2625	MUFFLER BODY B COMP.	1	- U016860
029	669-2627	MUFFLER BODY B COMP.	1	U016861 -
030,1	669-2676	MUFFLER FITTING METAL	1	- U016860
030	669-2678	MUFFLER FITTING METAL	1	- C158850
030	669-2677	MUFFLER FITTING METAL	1	C158851 -
031	669-2833	MUFFLER COUPLING GASKET	1	U016861 -
032,1	669-2606	MUFFLER BODY A COMP.	1	- U016860
032	669-2607	MUFFLER BODY A COMP.	1	U016861 -
033	669-2734	MUFFLER GASKET	1	
034,1	NLA	No Longer Available	1	- U016860
034	669-2691	SPARK ARRESTOR	1	U016861 -

C05-06 OIL FILTER&PUMP FILTER



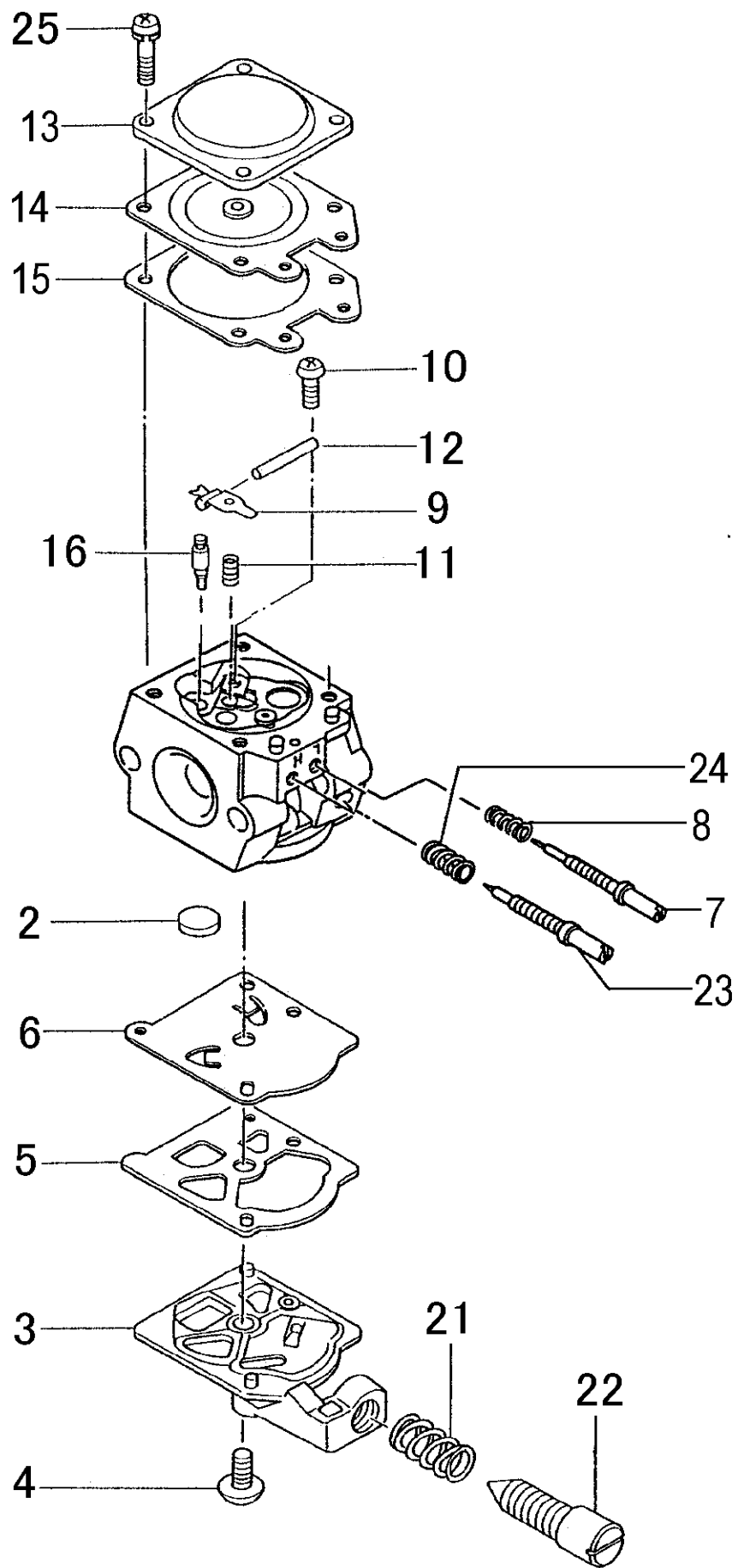
REF. NUMBER	PARTS NUMBER	DESCRIPTION	Q'TY	SERIAL NUMBER
C05-06 OIL FILTER&PUMP FILTER				
001	669-1121	OIL PIPE B	1	
002	669-2312	CLIP 7	3	
003	668-4661	WASHER 5	1	
004	669-0919	OIL FILTER	1	
005	668-5249	OIL FILTER BODY ASS'Y	1	
006	669-3873	THROTTLE WIRE COMP., SPECIAL	1	
007	669-4836	WIRE GROMMET	1	
015	668-4872	LOCK NUT M6	1	
016	669-2292	RUBBER PIPE	1	
017	668-5199	PUMP FILTER BODY	1	
026	669-5672	O-RING P-18	1	
028	668-7956	ADJUSTER CAP	1	- U016860
028	668-7957	ADJUSTER CAP	1	U016861 -
029	669-2590	GROMMET	1	
030	669-2513	CHOKE BUTTON COMP.	1	
031	668-7976	GROMMET	1	
032	669-5673	O-RING P-20	1	
040	669-2159	OIL TANK CAP ASS'Y	1	
042	669-2118	FUEL TANK CAP ASS'Y	1	

C05-07 RECOIL STARTER



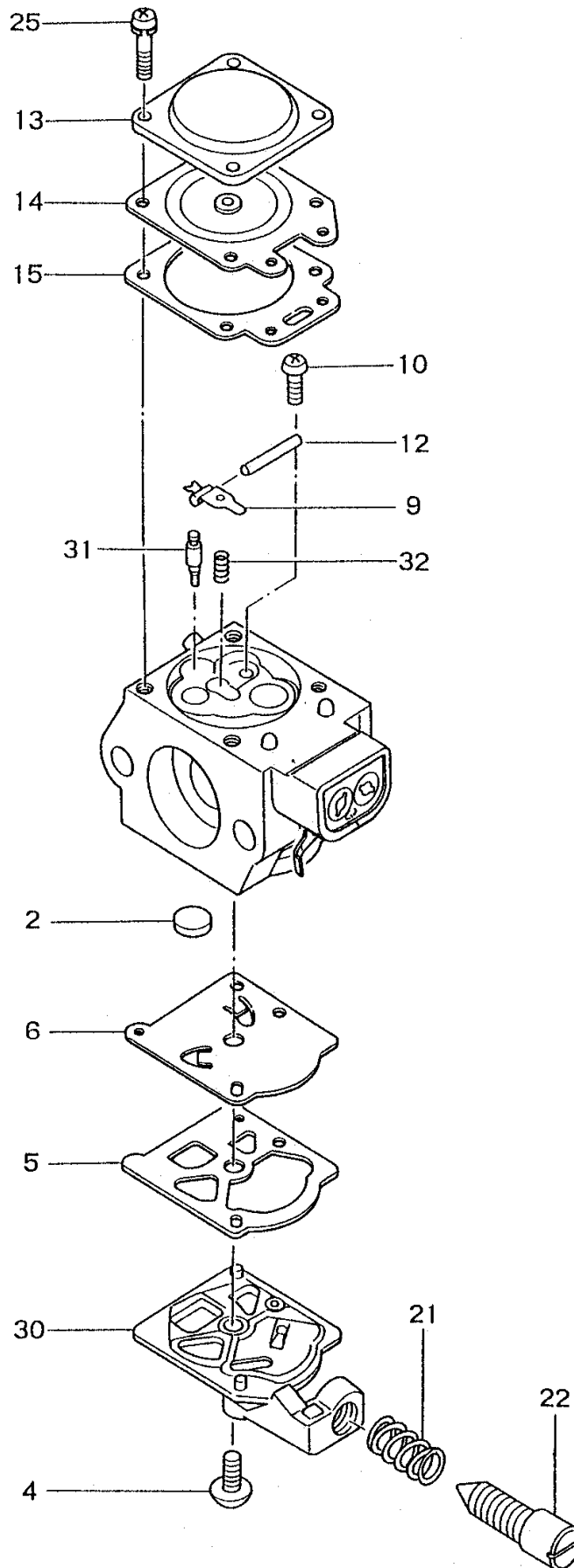
REF. NUMBER	PARTS NUMBER	DESCRIPTION	Q'TY	SERIAL NUMBER
C05-07 RECOIL STARTER				
000	669-2906	RECOIL STARTER ASS'Y	1	
001	668-5275	TAPPING SCREW D5X14	1	
002	668-9681	BRAKE SHAFT WASHER	1	
003	669-3060	STARTER PULLY	1	
004	669-3159	STARTER ROPE 3 X 890	1	
005	669-3093	RECOIL SPRING CASE ASS'Y	1	
007	669-3228	STARTER HANDLE	1	
009	668-6947	FANCASE COMP. BLK	1	
010	668-5191	TAPPING SCREW D4.5X20	4	

C05-08 CARBURETOR(SERIAL NO.-U016860)



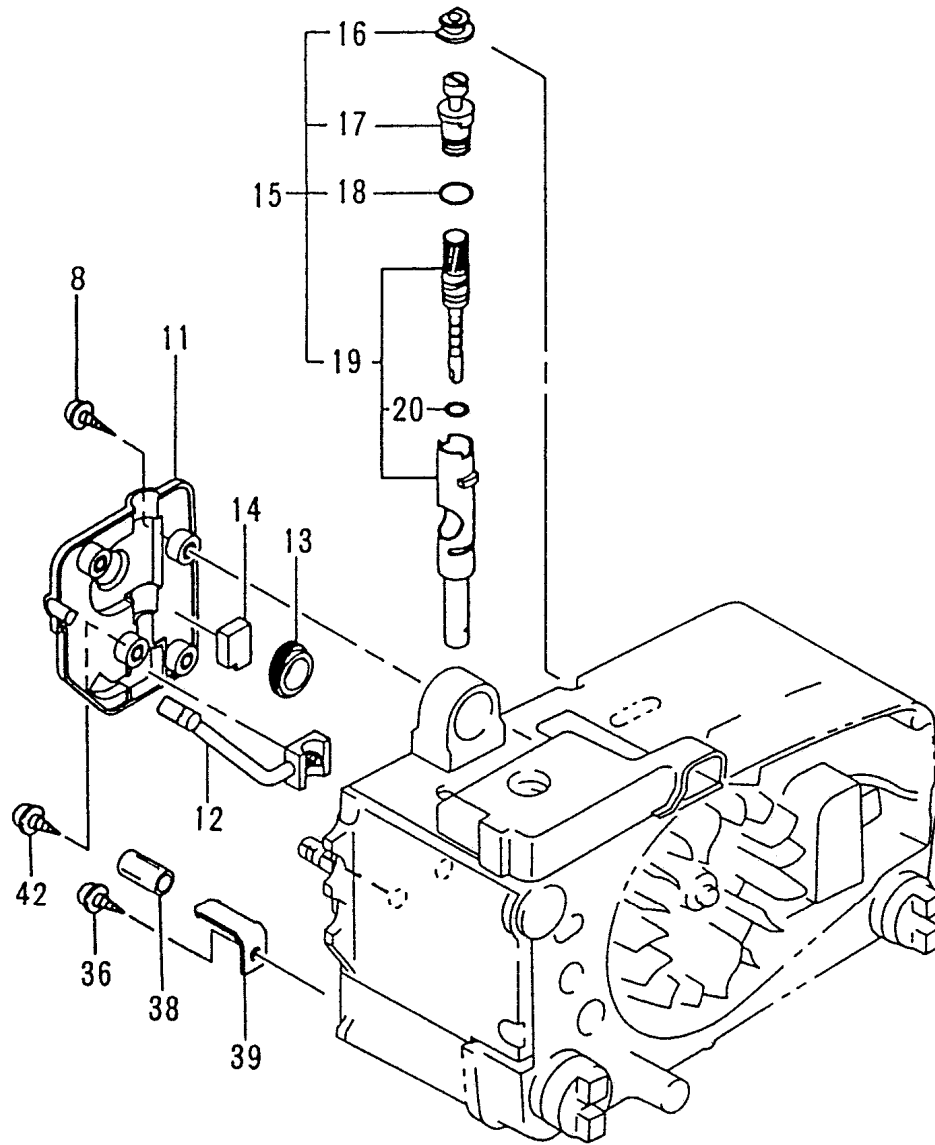
REF. NUMBER	PARTS NUMBER	DESCRIPTION	Q'TY	SERIAL NUMBER
C05-08 CARBURETOR(SERIAL NO.-U016860)				
002	668-4700	INLET SCREEN	1	
003	668-5211	PUMP BODY	1	
004	668-5210	SCREW	1	
005	668-5212	PUMP GASKET	1	
006	668-5213	PUMP DIAPHRAGM	1	
007	669-0714	LOW ADJUST SCREW	1	
008	669-2048	HIGH/LOW ADJUST SPRING	1	
009	668-5217	CONTROL LEVER	1	
010	668-5218	HINGE PIN SET SCREW	1	
011	669-0870	VALVE SPRING	1	
012	668-5219	HINGE PIN	1	
013	668-5222	DIAPHRAGM COVER	1	
014	669-0827	METERING DIAPHRAGM COMP.	1	
015	668-5220	DIAPHRAGM PACKING	1	
016	669-1943	NEEDLE VALVE	1	
021	668-5297	IDLE ADJUST SPRING	1	
022	668-5298	IDLE ADJUST SCREW	1	
023	669-0691	HIGH ADJUST SCREW	1	
024	669-0897	HIGH ADJUSTMENT SPRING	1	
025	668-5223	SET SCREW	4	
	669-2184	CARB. REPAIR KIT, K10-WAT	1	
	669-2194	GASKET/DIA. KIT, D10WAT	1	

C05-09 CARBURETOR (SERIAL NO.U016861-)



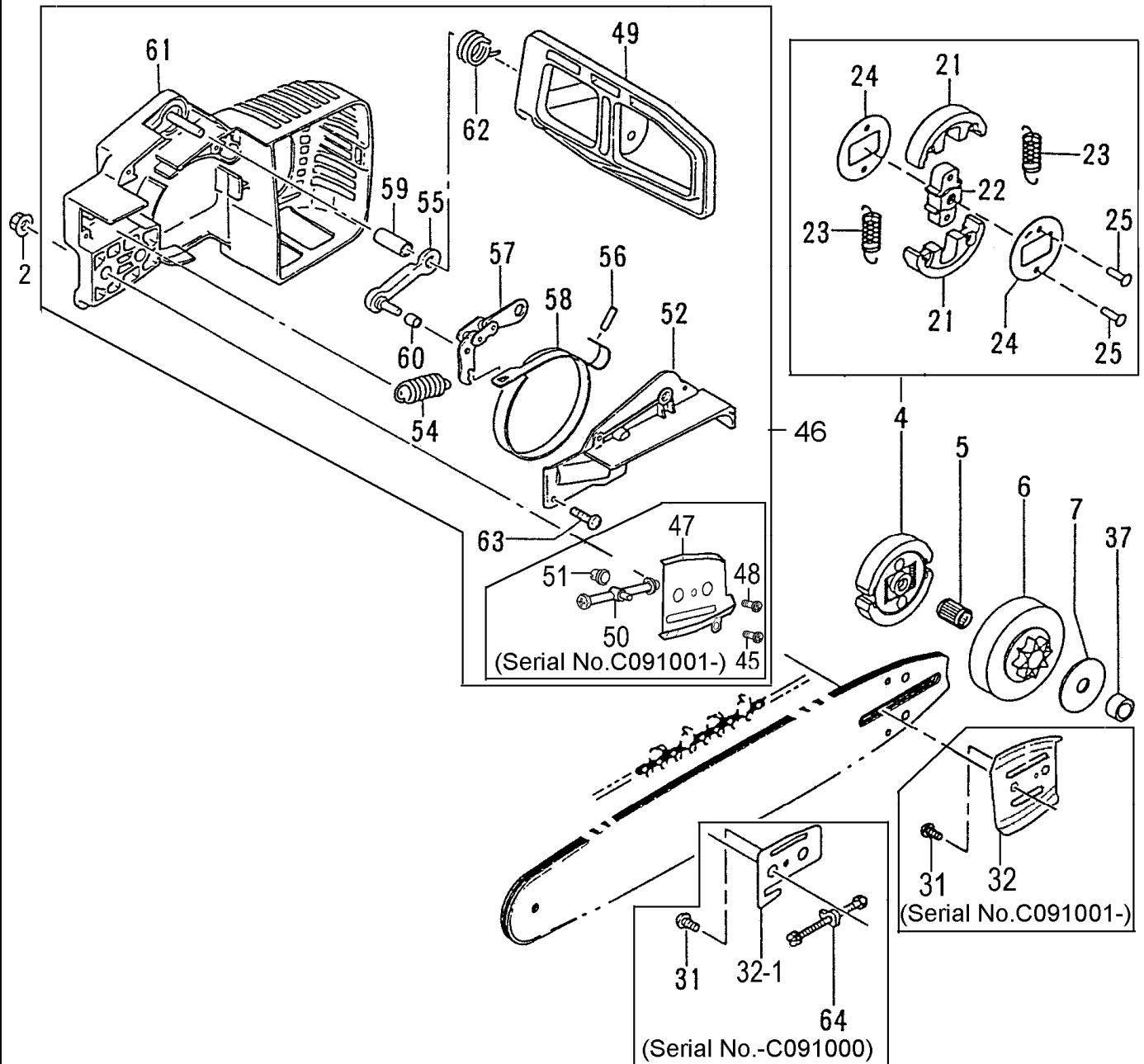
REF. NUMBER	PARTS NUMBER	DESCRIPTION	Q'TY	SERIAL NUMBER
C05-09 CARBURETOR (SERIAL NO.U016861-)				
002	668-4700	INLET SCREEN	1	
004	668-5210	SCREW	1	
005	668-5212	PUMP GASKET	1	
006	668-5213	PUMP DIAPHRAGM	1	
009	668-5217	CONTROL LEVER	1	
010	668-5218	HINGE PIN SET SCREW	1	
012	668-5219	HINGE PIN	1	
013	668-5222	DIAPHRAGM COVER	1	
014	669-0827	METERING DIAPHRAGM COMP.	1	
015	668-5220	DIAPHRAGM PACKING	1	
021	668-5297	IDLE ADJUST SPRING	1	
022	668-5298	IDLE ADJUST SCREW	1	
025	668-5223	SET SCREW	4	
030	669-1416	PUMP BODY	1	
031	668-5215	NEEDLE VALVE	1	
032	669-0872	VALVE SPRING	1	
	669-2184	CARB. REPAIR KIT, K10-WAT	1	
	669-2194	GASKET/DIA. KIT, D10WAT	1	

C05-10 OIL PUMP



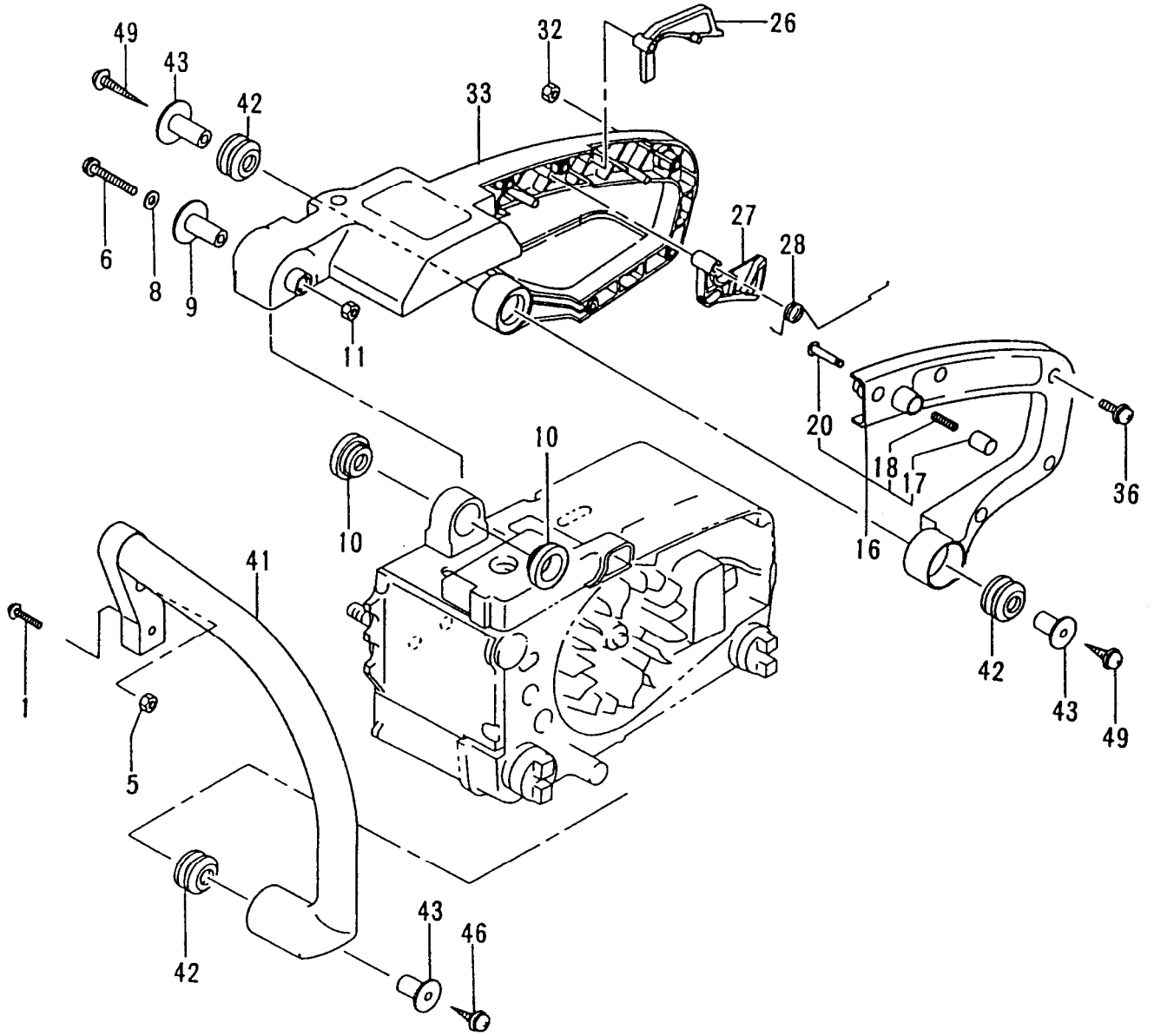
REF. NUMBER	PARTS NUMBER	DESCRIPTION	Q'TY	SERIAL NUMBER
C05-10 OIL PUMP				
008	669-5416	SCREW 5X14/WS	2	
011	668-6763	OIL PUMP COVER	1	
012	669-1223	OIL PIPE A	1	
013	668-6645	SCREW GEAR	1	
014	669-1400	AIR VENT SPONGE	1	
015	668-7324	OIL PUMP ASS'Y	1	
016	669-0956	OIL ADJUST GROMMET	1	
017	669-1070	OIL PUMP ADJUSTER	1	
018	669-5663	O-RING P-6	1	
019	668-6681	OIL PUMP CASE SET, SPARE	1	
020	669-5663	O-RING P-6	1	
036	668-5275	TAPPING SCREW D5X14	1	
038	668-5154	FUEL PIPE	1	
039	668-5155	CHAIN CATCHER	1	
042	668-5152	TAPPING SCREW D4.5X14	2	

C05-11 CLUTCH/CHAIN BRAKE



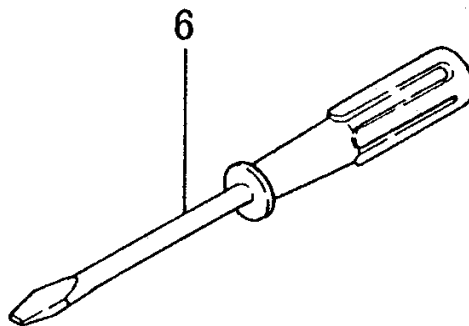
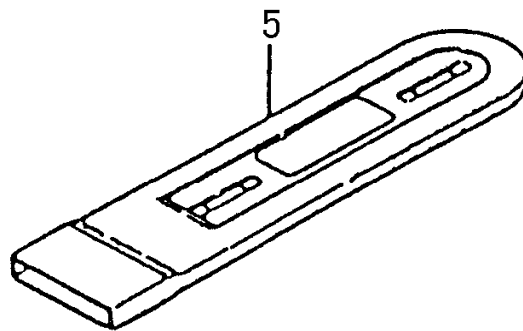
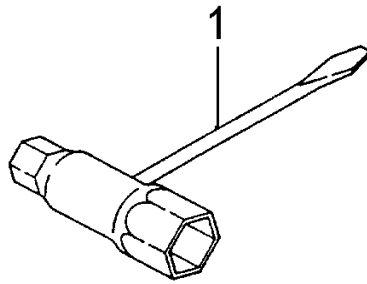
REF. NUMBER	PARTS NUMBER	DESCRIPTION	Q'TY	SERIAL NUMBER
C05-11 CLUTCH/CHAIN BRAKE				
002	668-5166	NUT	1	
004	668-8559	CLUTCH COMP.	1	
005	668-5143	NEEDLE BEARING	1	
006	668-5144	CLUTCH HOUSING COMP.	1	
007	668-5145	CLUTCH WASHER	1	
021	668-9491	CLUTCH SHOE	2	
022	668-9496	CLUTCH BOSS	1	
023	668-9424	CLUTCH SPRING	2	
024	668-9527	CLUTCH PLATE A	2	
025	669-5240	RIVET 4X14	2	
031	668-5161	TAPPING SCREW D4X10	1	
032,1	669-0790	PLATE	1	- C110350
032	669-0733	GUIDE PLATE A	1	C110351 -
037	668-5146	CRANK SHAFT COLLAR	1	
045	668-5161	TAPPING SCREW D4X10	1	C110351 -
046	668-6100	SIDE CASE ASS'Y	1	- C110350
046	668-6101	SIDE CASE ASS'Y	1	C110351 -
047	669-0755	GUIDE PLATE B	1	C110351 -
048	669-5269	SCREW 2.6X5	1	C110351 -
049	668-9674	BRAKE HANDLE	1	
050	668-5169	CHAIN PULLER COMP.	1	C110351 -
051	668-5168	GEAR (A)	1	C110351 -
052	668-9712	BRAKE LINK COVER, BLACK	1	
054	668-5167	BRAKE SPRING	1	
055	668-5119	BRAKE SUPPORT PLATE COMP.	1	
056	668-5141	NEEDLE ROLLER 3X9.8	1	
057	668-5121	BRAKE LINK COMP.	1	
058	668-5140	BRAKE BAND	1	
059	669-0805	CLEANER FIXING COLLAR	1	
060	668-5120	COLLAR	1	
061	668-6044	SIDE COVER COMP.	1	- C110350
061	668-6045	SIDE CASE COMP.	1	C110351 -
062	668-5122	BRAKE LEVER SPRING	1	
063	668-5148	TAPPING SCREW D4X15	3	
064	668-7071	TENSION ADJUSTMENT BOLT ASS	1	- C110350

C05-12 HANDLE



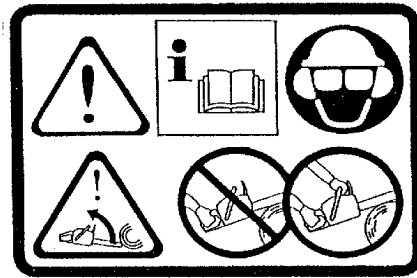
REF. NUMBER	PARTS NUMBER	DESCRIPTION	Q'TY	SERIAL NUMBER
C05-12 HANDLE				
001	669-5343	SCREW 5X25/S	1	
005	669-5157	U-NUT 5	1	
006	669-5348	SCREW 5X40/S	1	
008	668-4864	SMALL WASHER 5	1	
009	668-8480	DAMPER COLLAR A	1	
010	668-8117	DAMPER A	2	
011	669-5157	U-NUT 5	1	
016	668-5646	REAR HANDLE B COMP.	1	
017	669-2680	PUSH PIN CAP	1	
018	668-6447	STOPPER SPRING	1	
020	668-6433	PUSH PIN	1	
026	668-8361	SAFETY LEVER	1	
027	668-6390	THROTTLE LEVER	1	
028	668-6417	THROTTLE LEVER SPRING	1	
032	668-5069	NUT M4	5	
033	668-5616	REAR HANDLE A COMP.	1	
036	669-5410	SCREW 4X22/WS	5	
041	668-8077	FRONT HANDLE COMP.	1	
042	668-8412	DAMPER B	3	
043	668-8485	DAMPER COLLAR B	3	
046	669-5107	TAPPING SCREW 5X35	1	
049	669-5107	TAPPING SCREW 5X35	2	

C05-13 TOOL& OPTIONAL PARTS

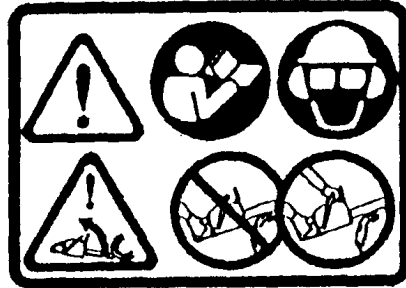


REF. NUMBER	PARTS NUMBER	DESCRIPTION	Q'TY	SERIAL NUMBER
C05-13 TOOL& OPTIONAL PARTS				
001	668-5257	COMBI BOX SPANNER 10/19MM	1	U016861 -
005	668-5255	CHAIN COVER 12"	1	
006	668-6632	4X50 MINUS DRIVER	1	

C05-14 LABELS



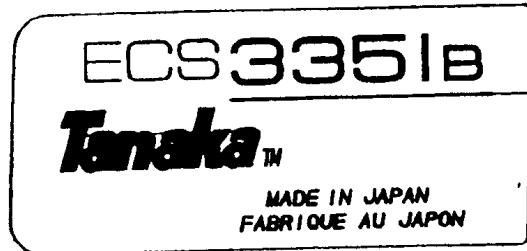
9-1



9



2-1



2

WARNING
Read and follow all safety precautions in the owner's manual. Failure to follow instructions could result in serious injury. Avoid contact of bar tip with any object. This may cause bar to "KICK BACK" suddenly, which may cause serious injury. Always use two hands to operate the saw. The following bar and chain combinations are approved for reducing kickback:
TANAKA 12" Chain 91VG045X and Bar 37296
OREGON® 12" Chain 91VG-45E and Bar 120SDEA041

8

WARNING Manufactured with 1,1,1-trichloroethane, a substance which harms public health and environment by destroying ozone in the upper atmosphere.

10

REF. NUMBER	PARTS NUMBER	DESCRIPTION	Q'TY	SERIAL NUMBER
C05-14 LABELS				
001	669-4816	PROFORCE MARK A	1	
002,1	669-4283	NAME PLATE ECS-3351	1	- U016860
002	669-4284	NAME PLATE, ECS3351B	1	U016861 -
008	N/A	Not Available	1	
009,1	669-4445	CAUTION MARK A	1	- U016860
009	669-4443	CAUTION MARK A	1	U016861 -
010	669-4558	WARNING MARK	1	- R138860