

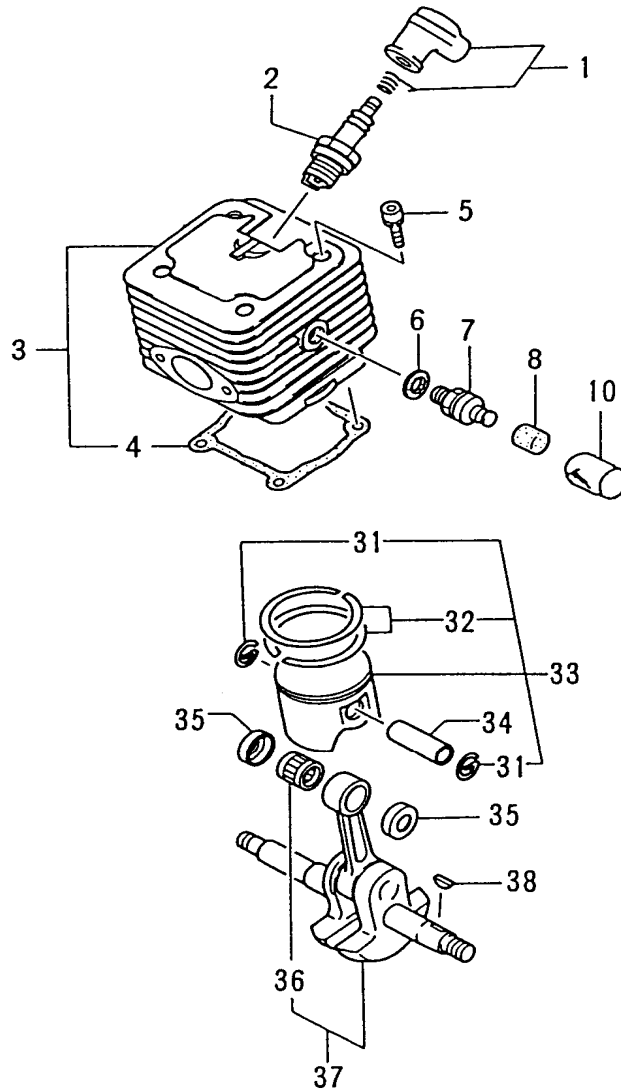
**C07**

***Tanaka***

**ECV-4501**

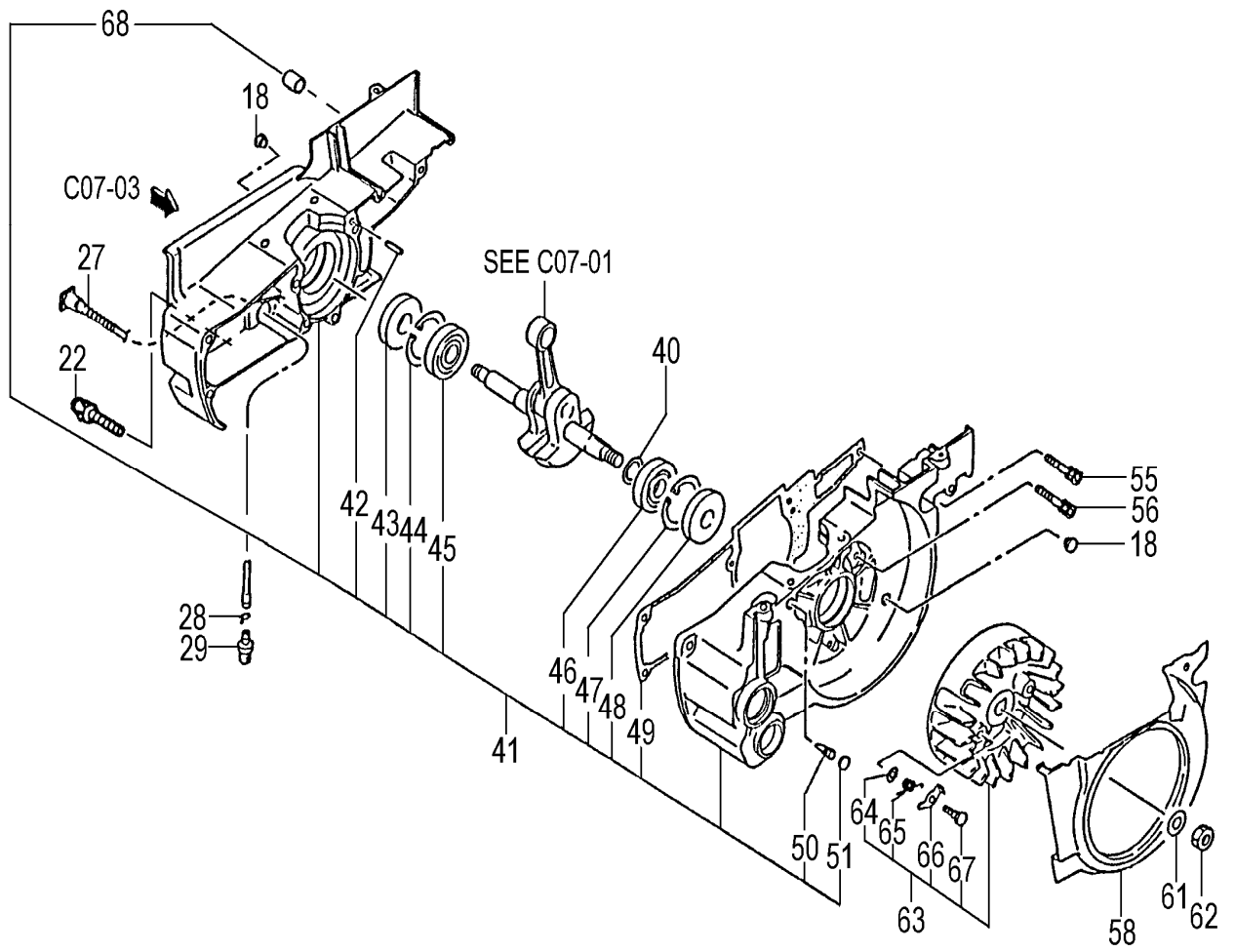
**Serial No. - B325958**

# C07-01 CYLINDER/PISTON/CRANK SHAFT



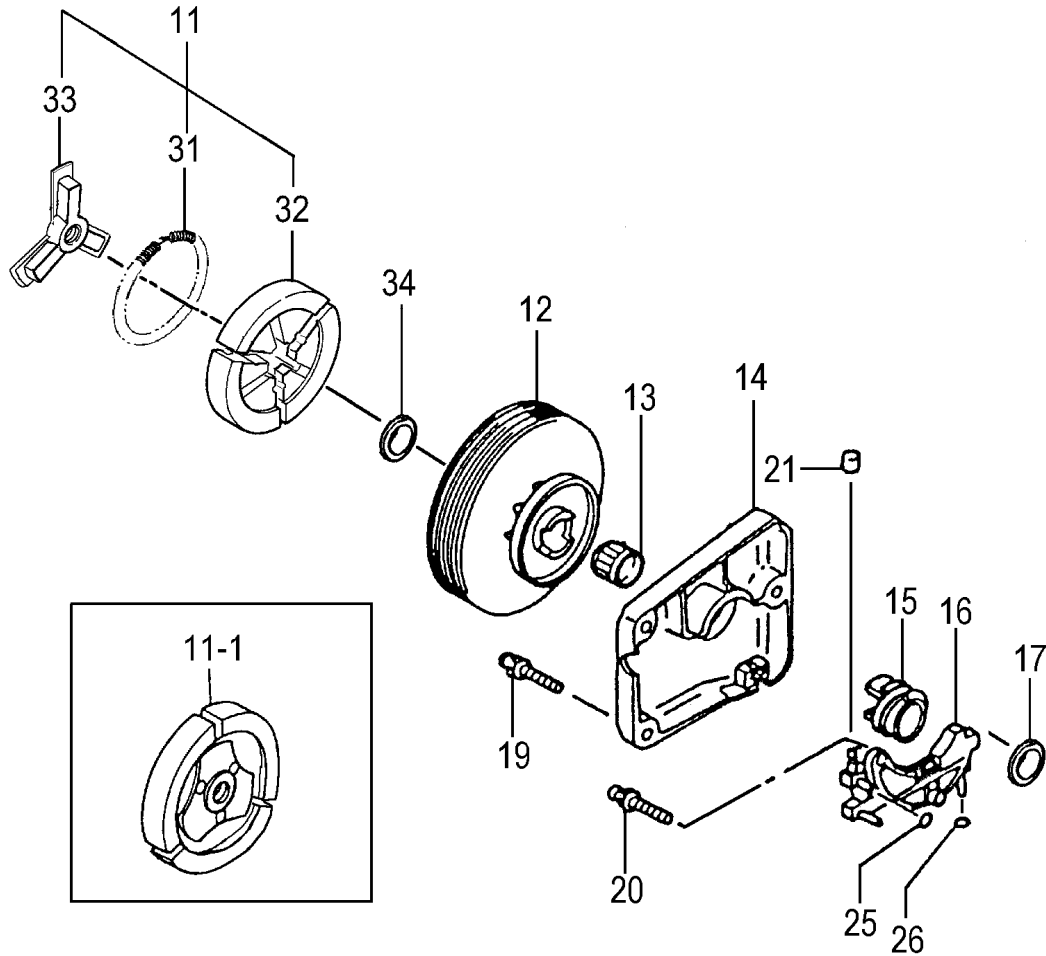
REF. NUMBER	PARTS NUMBER	DESCRIPTION	Q'TY	SERIAL NUMBER
<b>C07-01 CYLINDER/PISTON/CRANK SHAFT</b>				
001	668-7468	SPARK PLUG CAP ASS'Y	1	
002	668-5780	SPARK PLUG BPM-7A	1	
003	668-5465	CYLINDER SET	1	
004	668-5732	CYLINDER PACKING	1	
005	669-5491	HEX. HOLE BOLT 5X20S	4	
006	668-5860	DECOMP. VALVE GASKET	1	
007	668-5589	DECOMPRESSION COMP.	1	
008	668-5800	DECOMP. COVER	1	
010	669-0808	DUST COVER	1	
031	668-6026	PISTON PIN CIRCLIP	2	
032	668-6125	PISTON RING, 42.7 DIA.	2	
033	668-5884	PISTON SET, SPARE	1	
034	668-6007	PISTON PIN 10X30	1	
035	668-5993	PISTON PIN COLLAR	2	
036	669-5602	NEEDLE BEARING, 2X8.8	1	
037	668-6183	CRANK SHAFT COMP.	1	
038	668-4899	WOODRUFF KEY 3X13X4.5	1	

# C07-02 CRANK CASE



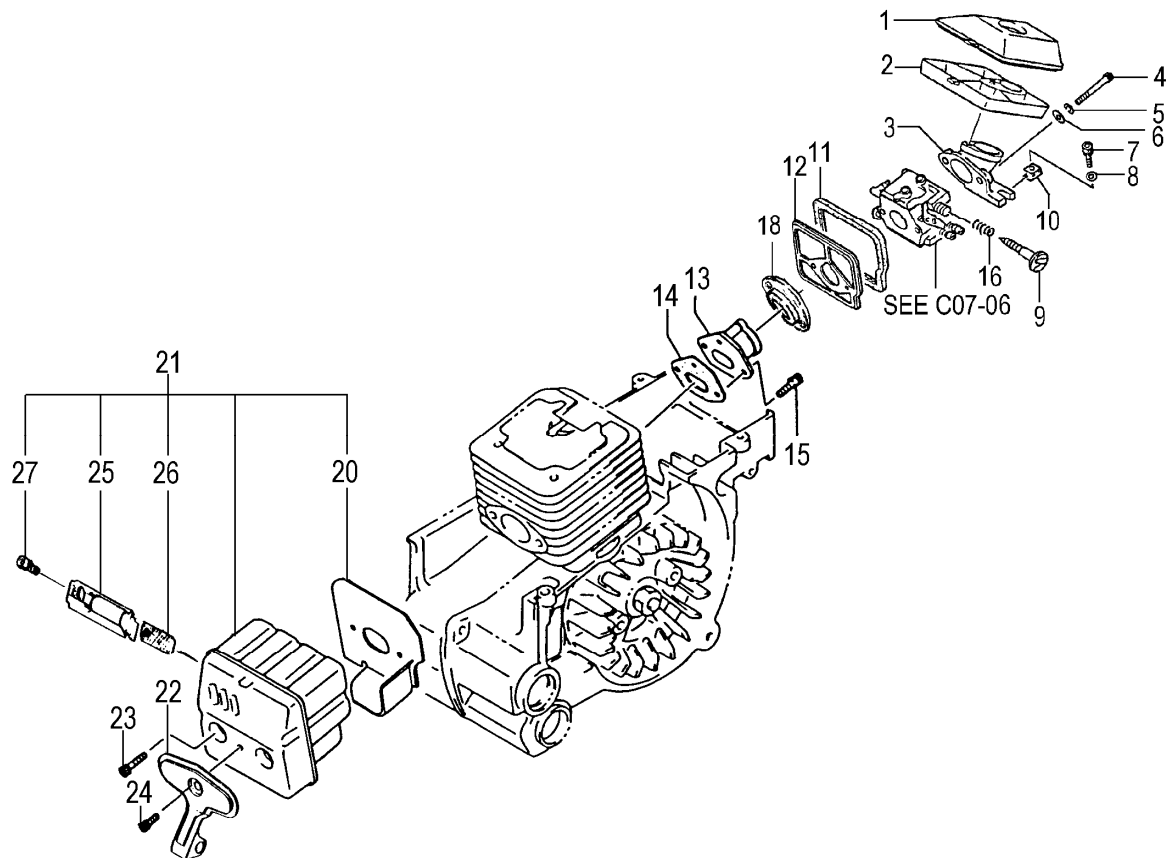
REF. NUMBER	PARTS NUMBER	DESCRIPTION	Q'TY	SERIAL NUMBER
<b>C07-02 CRANK CASE</b>				
018	668-8164	SIDE DUMPER	2	
022	669-5076	HEX HOLE SCREW 5X35	1	V249987 -
027	669-1219	OIL PIPE A	1	
028	669-2312	CLIP 7	1	
029	669-0914	OIL FILTER BODY COMP.	1	
040	668-6474	SHIM 0.1	V	
040	668-5098	SHIM S T0.2	V	
040	668-5099	SHIM S T0.3	V	
040	668-6475	SHIM 0.4	V	T046010 -
<b>041</b>	668-6542	CRANK CASE ASS'Y	<b>1</b>	
042	669-5520	KNOCK PIN 4X12	2	
043	669-5633	OIL SEAL ISMX12325.5	1	
044	669-5295	STOP RING C-32, INNER	1	
045	668-5096	BALL BEARING 6201 A2C3	1	
046	668-5096	BALL BEARING 6201 A2C3	1	
047	669-5295	STOP RING C-32, INNER	1	
048	669-5633	OIL SEAL ISMX12325.5	1	
049	668-6710	CRANKCASE GASKET	1	
050	668-5173	AIR VENT VALVE (B)	1	
051	669-1399	AIR VENT COVER	1	
055	668-4586	HEX.HOLE BOLT M5X18/S	3	
056	668-4786	HEX. SOCKET HD. BOLT M5X30 S	3	
058	668-7207	AIR DEFLECTOR	1	
061	668-4611	WASHER M8	1	
062	668-4612	HEX.NUT M8	1	
063	668-7395	MAGNETO ROTOR ASS'Y	1	
064	668-7942	SPECIAL WASHER	2	
065	669-3348	PAWL SPRING	2	
066	669-3304	STARTER PAWL	2	
067	669-3366	STEP BOLT	2	
068	668-8107	HANDLE DAMPER	1	V249987 -

# C07-03 CLUTCH/OIL PUMP



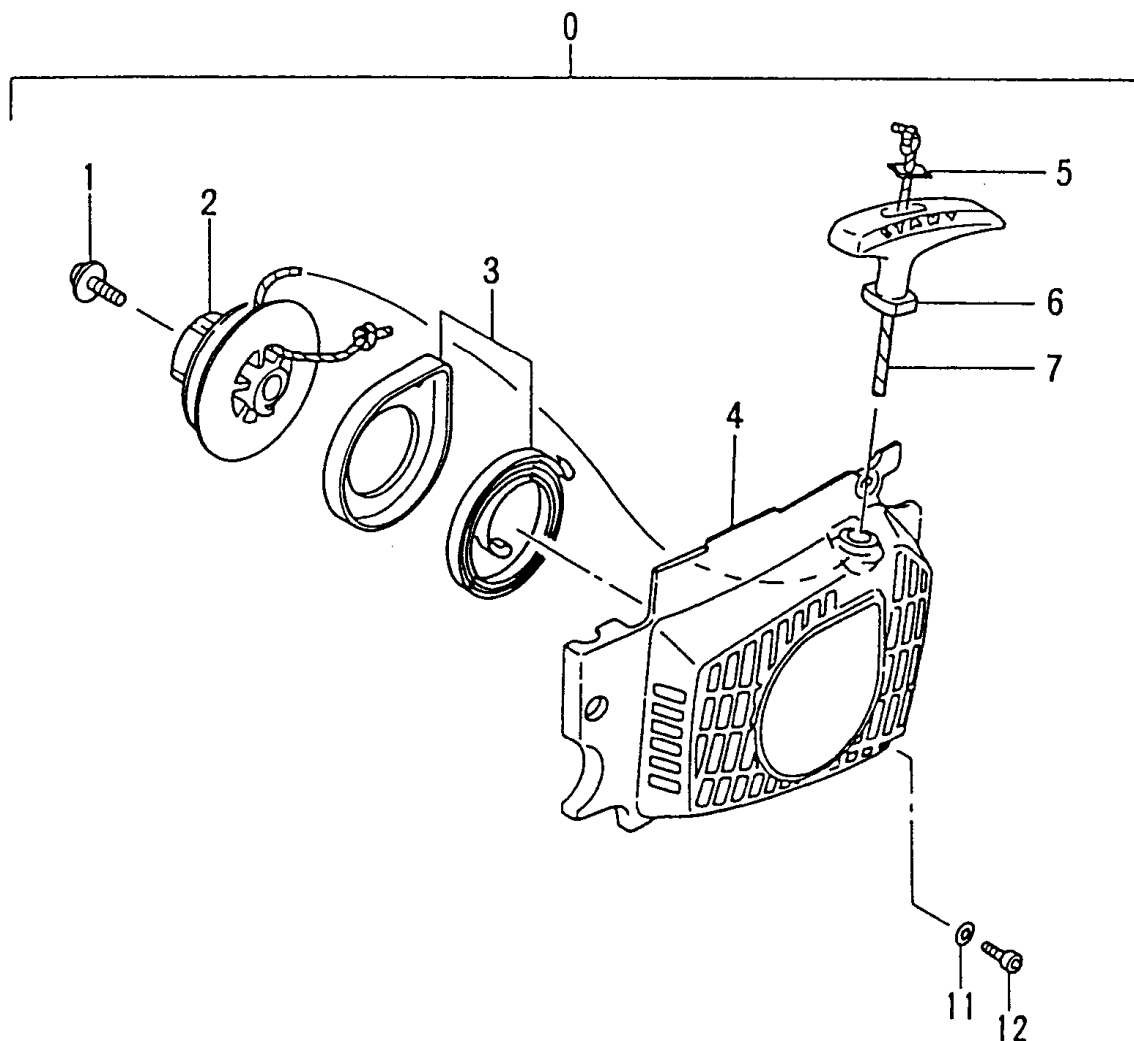
REF. NUMBER	PARTS NUMBER	DESCRIPTION	Q'TY	SERIAL NUMBER
<b>C07-03 CLUTCH/OIL PUMP</b>				
011,1	668-8563	CLUTCH COMP.	1	- V249986
011	668-8489	CLUTCH ASS'Y, M9	1	V249987 -
012	668-9009	CLUTCH HOUSING COMP.7T	1	
013	669-5606	NEEDLE BEARING KT111410G	1	
014	668-6755	OIL PUMP COVER	1	
015	668-6640	SCREW GEAR COMP.	1	
016	668-7331	OIL PUMP COMP.	1	
017	668-6452	PINION WASHER 1T	1	
019	669-5403	SMALL SCREW 4X12WS	4	- B325958
019	669-5403	SMALL SCREW 4X12WS	3	B325959 -
020	669-5407	HIGH TENSION SCREW 4X18WS	2	
021	668-6661	RELEASE VALVE	1	
025	669-5659	O-RING S-3	1	
026	669-5661	O-RING P-5	1	
031	668-9426	CLUTCH SPRING	1	V249987 -
032	668-9493	CLUTCH SHOE	3	V249987 -
033	668-9497	CLUTCH BOSS	1	V249987 -
034	668-9642	CLUTCH WASHER B	1	V249987 -

# C07-04 AIR CLEANER/MUFFLER



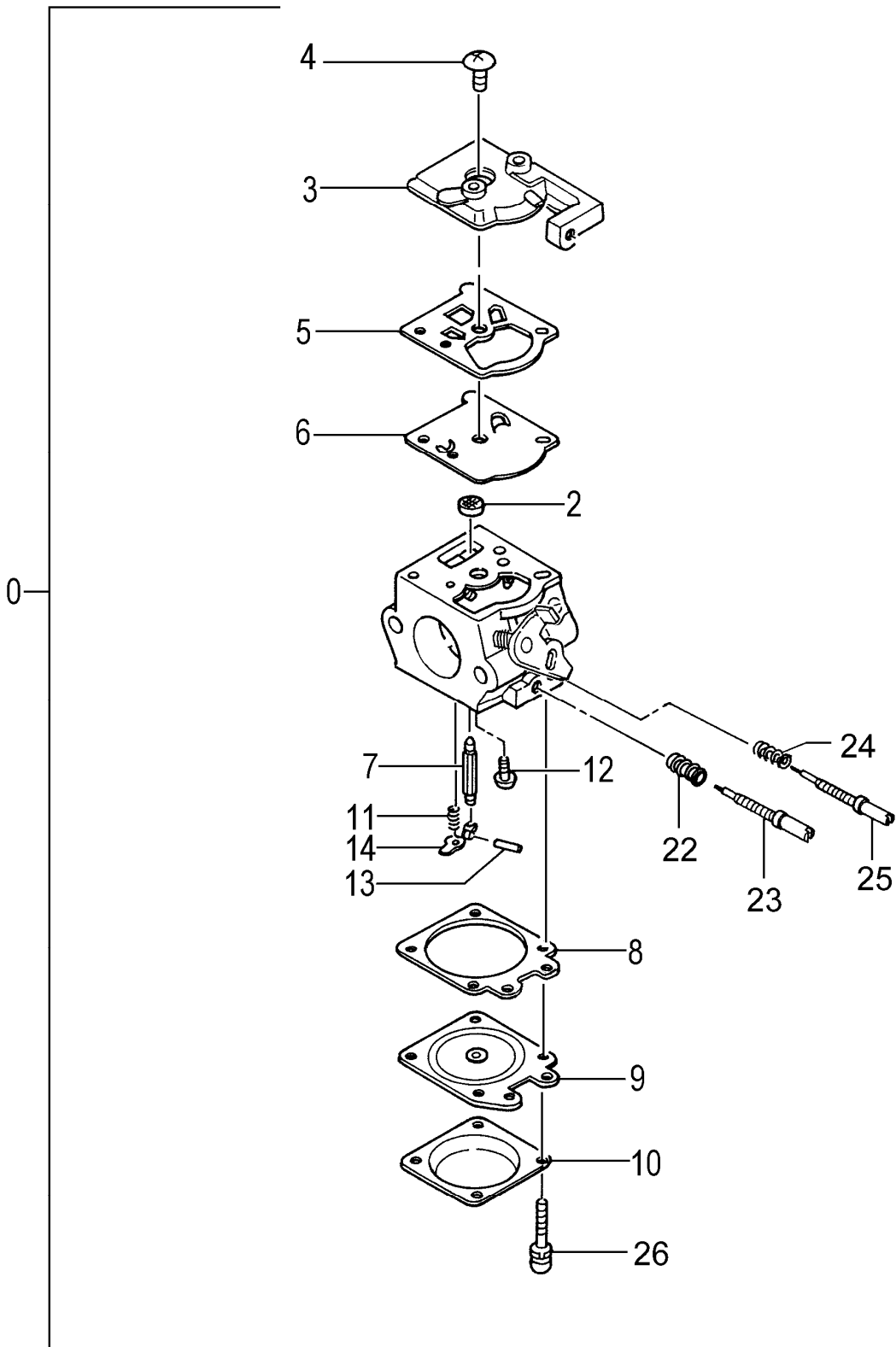
REF. NUMBER	PARTS NUMBER	DESCRIPTION	Q'TY	SERIAL NUMBER
<b>C07-04 AIR CLEANER/ MUFFLER</b>				
001	669-0335	AIRCLEANER ELEMENT B COMP.	1	
002	669-0325	AIRCLEANER ELEMENT A COMP.	1	
003	669-0198	AIRCLEANER BASE COMP.	1	
004	669-5055	HEX. HOLE BOLT 5X45	2	
005	668-4662	S.WASHER 5	2	
006	668-4864	SMALL WASHER 5	2	
007	668-4903	HEX.HOLE BOLT M5X16/S	1	- A004400
007	669-5512	HEX. HOLE BOLT 5X15WS	1	A004401 -
008	668-4661	WASHER 5	1	- A004400
009	668-7993	IDLE ADJUSTMENT SCREW	1	
010	668-7943	SPECIAL WASHER	1	
011	669-0004	CARB. INSULATOR, RUBBER	1	
012	668-9941	INSULATOR COMP.	1	
013	668-9789	INLET MANIFOLD COMP.	1	
014	668-9876	INLET MANIFOLD GASKET	1	
015	669-5484	HEX. HOLE BOLT 4X10S	2	- Y200800
015	668-4595	HEX.HOLE BOLT M4X12/S	2	Y200801 -
016	669-0766	IDLE ADJUST SPRING	1	
018	668-5202	INLET MANIFOLD SPACER	1	B014101 -
020	669-2737	MUFFLER GASKET	1	
021	669-2460	MUFFLER SET, SPARE	1	
022	669-2941	MUFFLER STAY	1	
023	668-4903	HEX.HOLE BOLT M5X16/S	2	
024	669-5036	HEX. HOLE BOLT 4X10	1	
025	669-2647	TAIL PIPE	1	
026	669-2694	MUFFLER STEEL NET	1	
027	669-5036	HEX. HOLE BOLT 4X10	1	

# C07-05 RECOIL STARTER



REF. NUMBER	PARTS NUMBER	DESCRIPTION	Q'TY	SERIAL NUMBER
<b>C07-05 RECOIL STARTER</b>				
000	669-2916	RECOIL STARTER ASS'Y	1	
001	669-3633	SET SCREW	1	
002	669-3059	STARTER ROPE REEL	1	
003	669-3096	RECOIL SPRING CASE	1	
004	668-6963	FAN CASE COMP.	1	
005	668-5189	PLATE	1	
006	669-3230	STARTER HANDLE	1	
007	669-3158	STARTER ROPE	1	
011	668-4864	SMALL WASHER 5	3	- A004400
012	668-4903	HEX.HOLE BOLT M5X16/S	3	- A004400
012	669-5512	HEX. HOLE BOLT 5X15WS	3	A004401 -

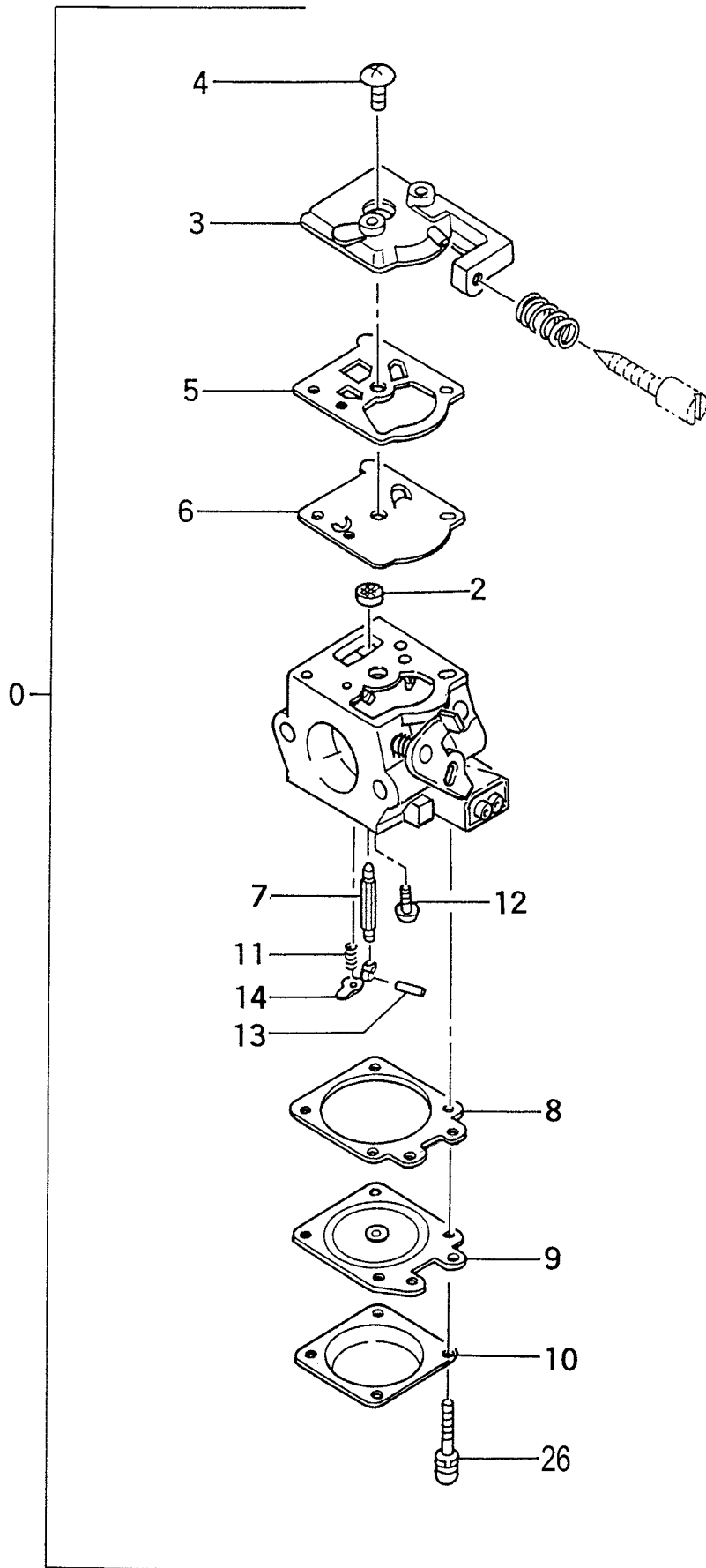
# C07-06 CARBURETOR (NONE EMISSION TYPE)





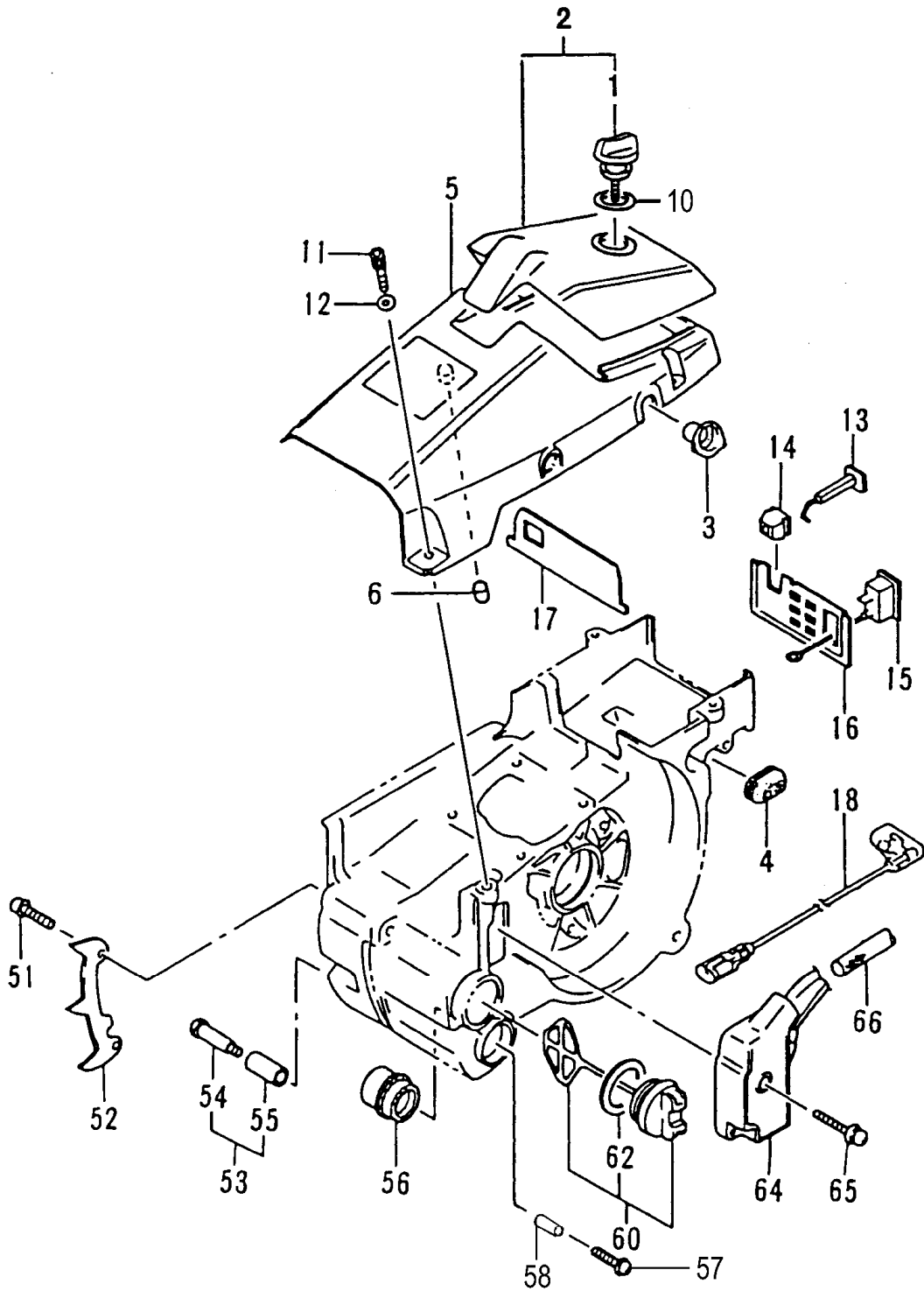
REF. NUMBER	PARTS NUMBER	DESCRIPTION	Q'TY	SERIAL NUMBER
<b>C07-06 CARBURETOR (NONE EMISS TYPE)</b>				
000	669-0605	CARBURETOR ASS'Y WT484	1	- S187932
002	668-4700	INLET SCREEN	1	
003	669-1416	PUMP BODY	1	
004	668-5210	SCREW	1	
005	668-5212	PUMP GASKET	1	
006	668-5213	PUMP DIAPHRAGM	1	
007	668-5215	NEEDLE VALVE	1	
008	668-5220	DIAPHRAGM PACKING	1	
009	669-0827	METERING DIAPHRAGM COMP. #	1	
010	668-5222	DIAPHRAGM COVER	1	
011	669-0872	VALVE SPRING	1	
012	668-5218	HINGE PIN SET SCREW	1	
013	668-5219	HINGE PIN	1	
014	668-5217	CONTROL LEVER	1	
022	669-2048	HIGH/LOW ADJUST SPRING	1	
023	669-0719	LOW ADJUSTMENT SCREW	1	
024	669-0897	HIGH ADJUSTMENT SPRING	1	
025	669-0696	HIGH ADJUST SCREW	1	
026	668-5223	SET SCREW	4	
	669-2184	CARB. REPAIR KIT, K10-WAT	1	
	669-2194	GASKET/DIA. KIT, D10WAT	1	

# C07-07 CARBURETOR (EMISSION TYPE)



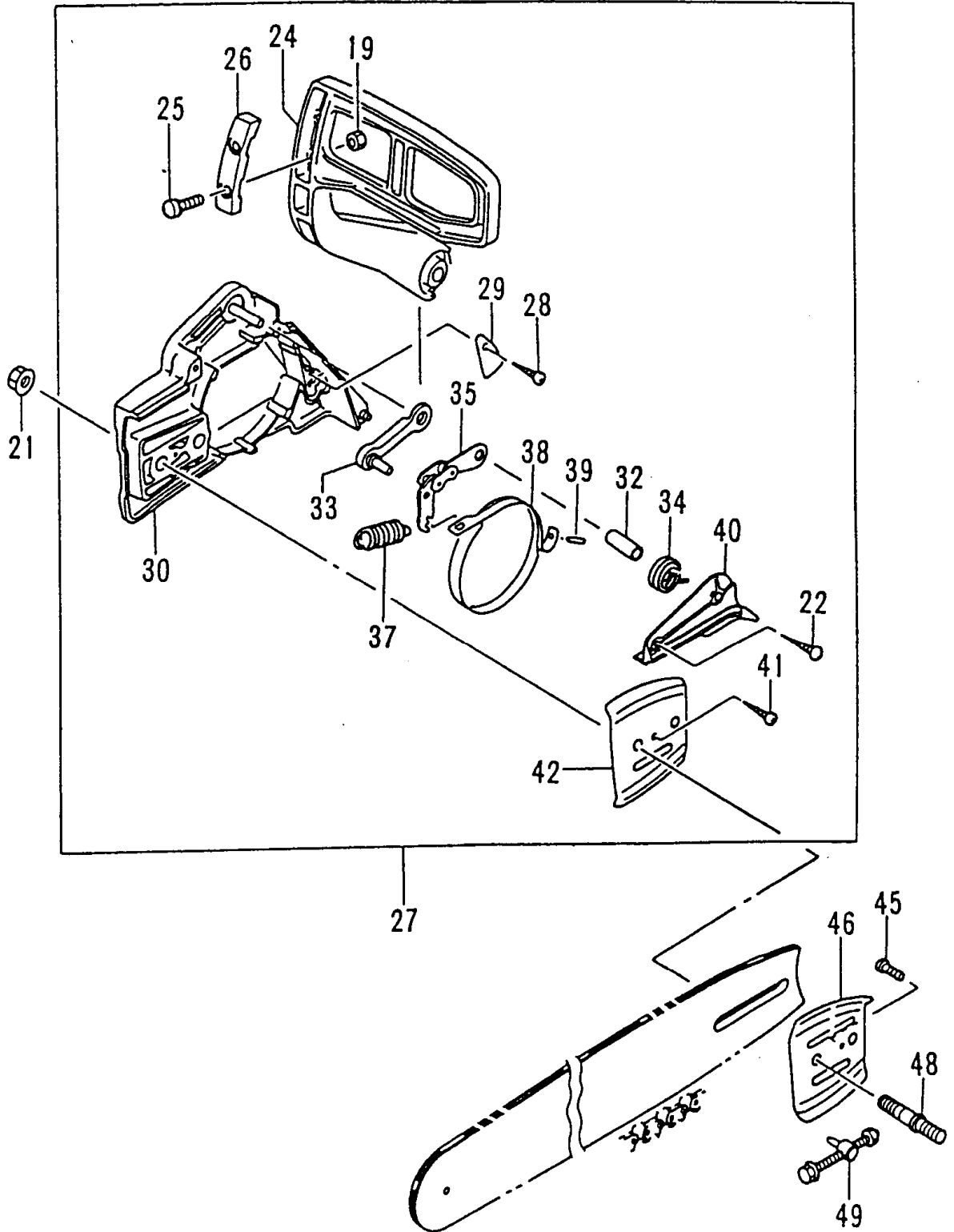
REF. NUMBER	PARTS NUMBER	DESCRIPTION	Q'TY	SERIAL NUMBER
<b>C07-07 CARBURETOR (EMISSION TYPE)</b>				
000	669-0606	CARBURETOR ASS'Y WT-497A	1	S187933 -
002	668-4700	INLET SCREEN	1	
003	669-1416	PUMP BODY	1	
004	668-5210	SCREW	1	
005	668-5212	PUMP GASKET	1	
006	668-5213	PUMP DIAPHRAGM	1	
007	668-5215	NEEDLE VALVE	1	
008	668-5220	DIAPHRAGM PACKING	1	
009	669-0827	METERING DIAPHRAGM COMP.	1	
010	668-5222	DIAPHRAGM COVER	1	
011	669-0872	VALVE SPRING	1	
012	668-5218	HINGE PIN SET SCREW	1	
013	668-5219	HINGE PIN	1	
014	668-5217	CONTROL LEVER	1	
026	668-5223	SET SCREW	4	
	669-2184	CARB. REPAIR KIT, K10-WAT	1	
	669-2194	GASKET/DIA. KIT, D10WAT	1	

# C07-08 IGNITION COIL/COVER



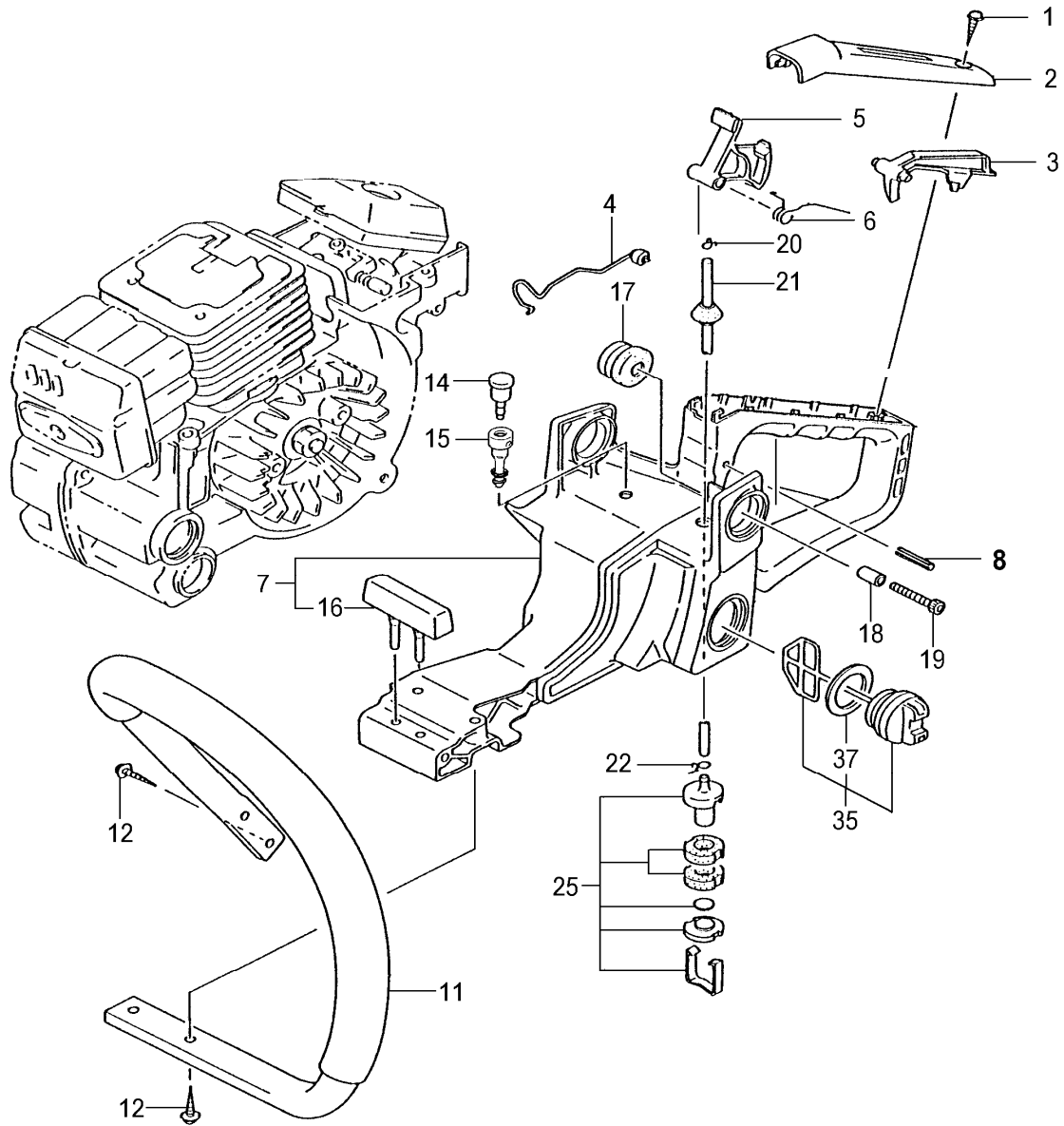
REF. NUMBER	PARTS NUMBER	DESCRIPTION	Q'TY	SERIAL NUMBER
<b>C07-08 IGNITION COIL/COVER</b>				
001	668-7793	AIRCLEANER KNOB COMP.	1	
002	669-0404	CLEANER COVER SET, SPARE	1	
003	668-7974	IDLE GROMMET	1	
004	668-7954	ADJUSTER CAP	1	
005	668-5681	CYLINDER COVER	1	
006	669-1825	CYLINDR SUPPORT RUBBER	1	
010	669-0056	CLEANER PACKING	1	S187933 -
011	668-4903	HEX.HOLE BOLT M5X16/S	3	- A004400
011	669-5512	HEX. HOLE BOLT 5X15WS	3	A004401 -
012	668-4864	SMALL WASHER 5	3	- A004000
013	669-2507	CHOKE BUTTON COMP.	1	
014	669-2587	CHOKE ROD HOLDING RUBBER	1	
015	668-7506	STOP SWITCH COMP.	1	
016	669-1192	CONTROL PLATE	1	
017	668-7952	SHUTTER PLATE	1	
018	668-7929	STOP CORD, B225M	1	
051	668-4667	HEX.HOLE BOLT M5X12/S	2	
052	669-0705	BUMPER SPIKE	1	
053	668-7163	CHAIN CATCHER	1	
054	668-9734	SPECIAL BOLT	1	
055	668-5154	FUEL PIPE	1	
056	668-8113	DAMPER COMP.	2	
057	669-5106	TAPPING SCREW 5X18	2	- V094630
057	669-5107	TAPPING SCREW 5X35	2	V094631 -
058	669-2248	COLLAR 15	2	V094631 -
060	668-5178	OIL TANK CAP ASS'Y	1	
062	668-5177	OIL TANK CAP PACKING	1	
064	668-7695	IGNITION COIL COMP.	1	
065	668-4599	HEX.HOLE BOLT M4X18/WS	2	
066	668-8317	CORD INSULATOR TUBE	1	

# C07-09 CHAIN BRAKE



REF. NUMBER	PARTS NUMBER	DESCRIPTION	Q'TY	SERIAL NUMBER
<b>C07-09 CHAIN BRAKE</b>				
019	668-5069	NUT M4	2	
021	668-5166	NUT	2	- U004300
021	668-7105	CHAIN BAR CLAMP NUT	2	U004301 -
022	669-5112	TAPPING SCREW 4X15	2	- S187932
022	669-5112	TAPPING SCREW 4X15	3	S187933 -
024	669-3454	FRONT HAND GUARD	1	
025	668-5068	MACHINE SCREW (W/SP. WASHER) M	2	
026	669-3481	HAND GUARD WEIGHT	1	
027	668-6095	SIDE CASE ASS'Y	1	
028	668-5161	TAPPING SCREW D4X10	1	
029	668-9715	BRAKE BAND HOLDER	1	
030	668-6043	SIDE COVER COMP.	1	
032	669-0805	CLEANER FIXING COLLAR	1	
033	668-9777	BRAKE SUPPORT FITTING COMP.	1	
034	668-9781	BRAKE LEVER SPRING	1	
035	668-5121	BRAKE LINK COMP.	1	
037	668-9700	BRAKE SPRING	1	
038	668-9724	BRAKE BAND	1	
039	668-5141	NEEDLE ROLLER 3X9.8	1	
040	668-9709	BRAKE LINK COVER	1	
041	668-5161	TAPPING SCREW D4X10	1	
042	669-0750	GUIDE PLATE B	1	
045	669-4861	SCREW 4X8	1	
046	669-0727	GUIDE PLATE A	1	
048	668-6804	CHAIN BAR STUD BOLT	2	
049	668-7067	CHAIN TENSION BOLT ASSY	1	

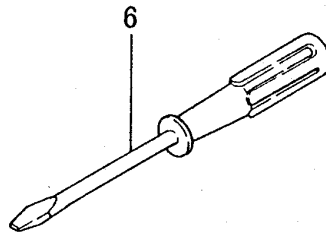
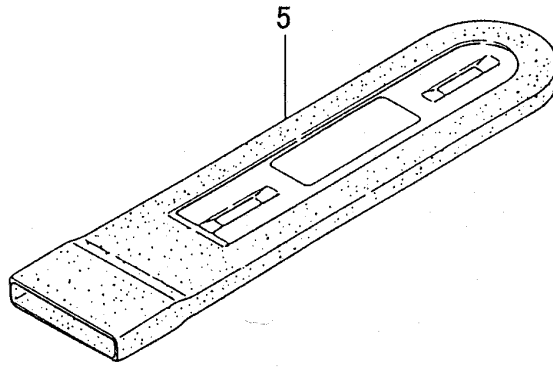
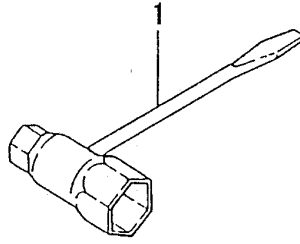
# C07-10 HANDLE





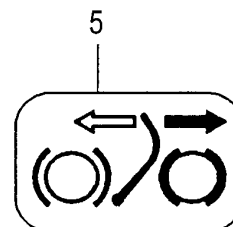
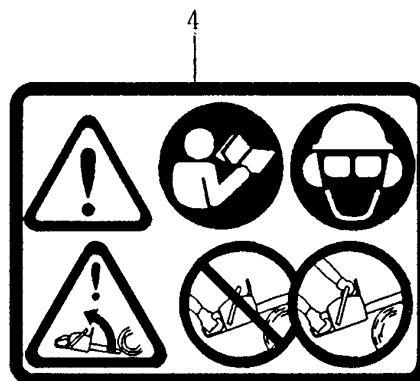
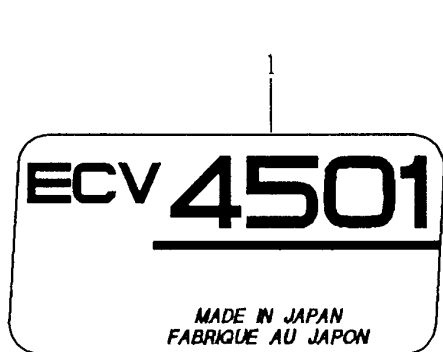
REF. NUMBER	PARTS NUMBER	DESCRIPTION	Q'TY	SERIAL NUMBER
<b>C07-10 HANDLE</b>				
001	669-5106	TAPPING SCREW 5X18	1	
002	668-8212	REAR HANDLE GRIP	1	
003	668-8352	THROTTLE TRIGGER LOCKOUT	1	
004	669-0967	THROTTLE ROD COMP.	1	
005	668-6381	THROTTLE LEVER	1	
006	668-6412	THROTTLE LEVER SPRING	1	
007	668-5663	REAR HANDLE ASS'Y	1	
008	668-5282	SPRING PIN 5X25	1	
011	668-8079	FRONT HANDLE COMP.	1	
012	669-5106	TAPPING SCREW 5X18	4	
014	669-2171	AIR VENT VALVE ASS'Y	1	
015	669-1391	AIRVENT PIPE	1	
016	668-8241	FRONT DAMPER	1	
017	668-8261	DAMPER COMP.	2	
018	668-8478	DAPMPER COLLAR	2	
019	669-5039	HEX. HOLE BOLT 4X20	2	
020	669-2311	CLIP 5.2	1	
021	668-8173	FUEL PIPE ASS'Y L=195	1	
022	668-4619	CLIP,6.3 DIA.	1	
025	669-2285	PUMP FILTER BODY ASS'Y	1	
035	669-2111	TANKCAP ASS'Y	1	
037	668-5179	TANK CAP PACKING	1	

# C07-11 TOOLS



REF. NUMBER	PARTS NUMBER	DESCRIPTION	Q'TY	SERIAL NUMBER
<b>C07-11 TOOLS</b>				
001	668-5666	COMBI. BOX SPANNER 10X19	1	- U004300
001	669-3809	COMBI. BOX SPANNER 13X19 MI	1	U004301 -
005	669-4809	CHAIN COVER 16	1	
005	669-4804	CHAIN COVER 20	1	
006	668-6632	4X50 MINUS DRIVER	1	S187933 -

# C07-12 LABELS



3

**WARNING**  
Read and follow all safety precautions in the owner's manual. Failure to follow instructions could result in serious injury. Avoid contact of bar tip with any object. This may cause bar to "KICK BACK" suddenly which may cause serious injury. Always use two hands to operate the saw. The following bar and chain combinations are approved for reducing kickback:  
OREGON Chain 33SL072X and BAR 180PXBK041  
OREGON Chain 33SL078X and BAR 200PXBK041

REF. NUMBER	PARTS NUMBER	DESCRIPTION	Q'TY	SERIAL NUMBER
<b>C07-12 LABELS</b>				
001	669-4281	NAME PLATE, ECV-4501	1	
002	669-4492	STARTER MARK, PROFORCE	1	
003	669-4425	CAUTION MARK, KICK-BACK	1	
004	669-4443	CAUTION MARK A	1	
005	669-4444	CAUTION MARK A	1	- S187932