

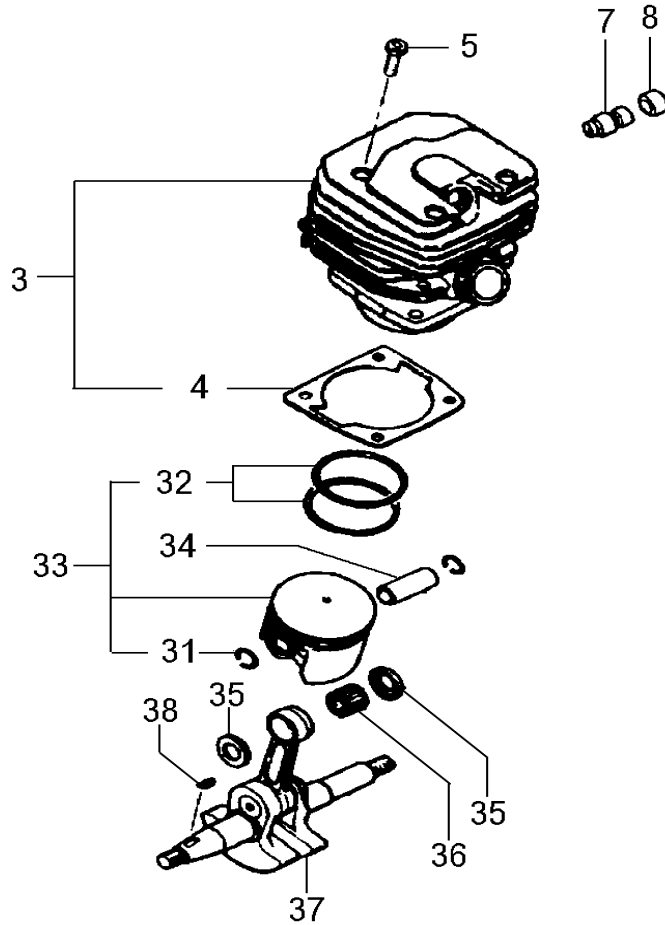
C23

Tanaka

ECV-5601

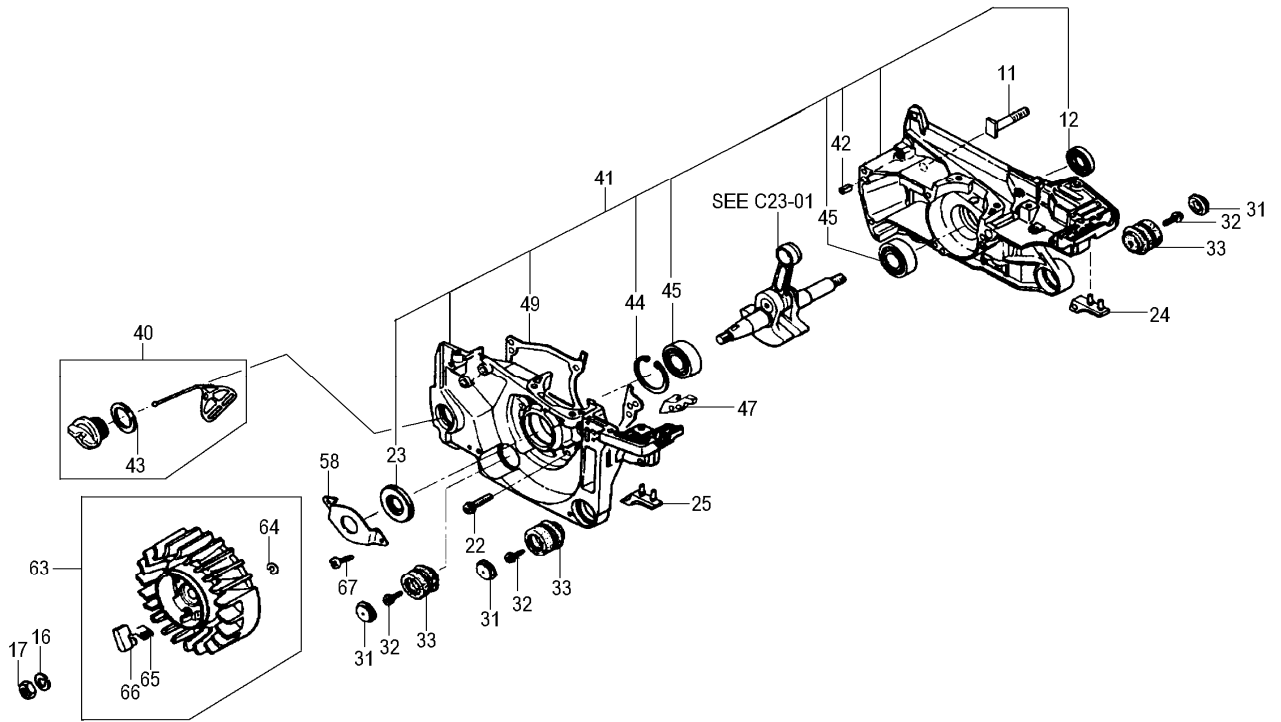
Serial No. :

C23-01 CYLINDER/PISTON/CRANK SHAFT



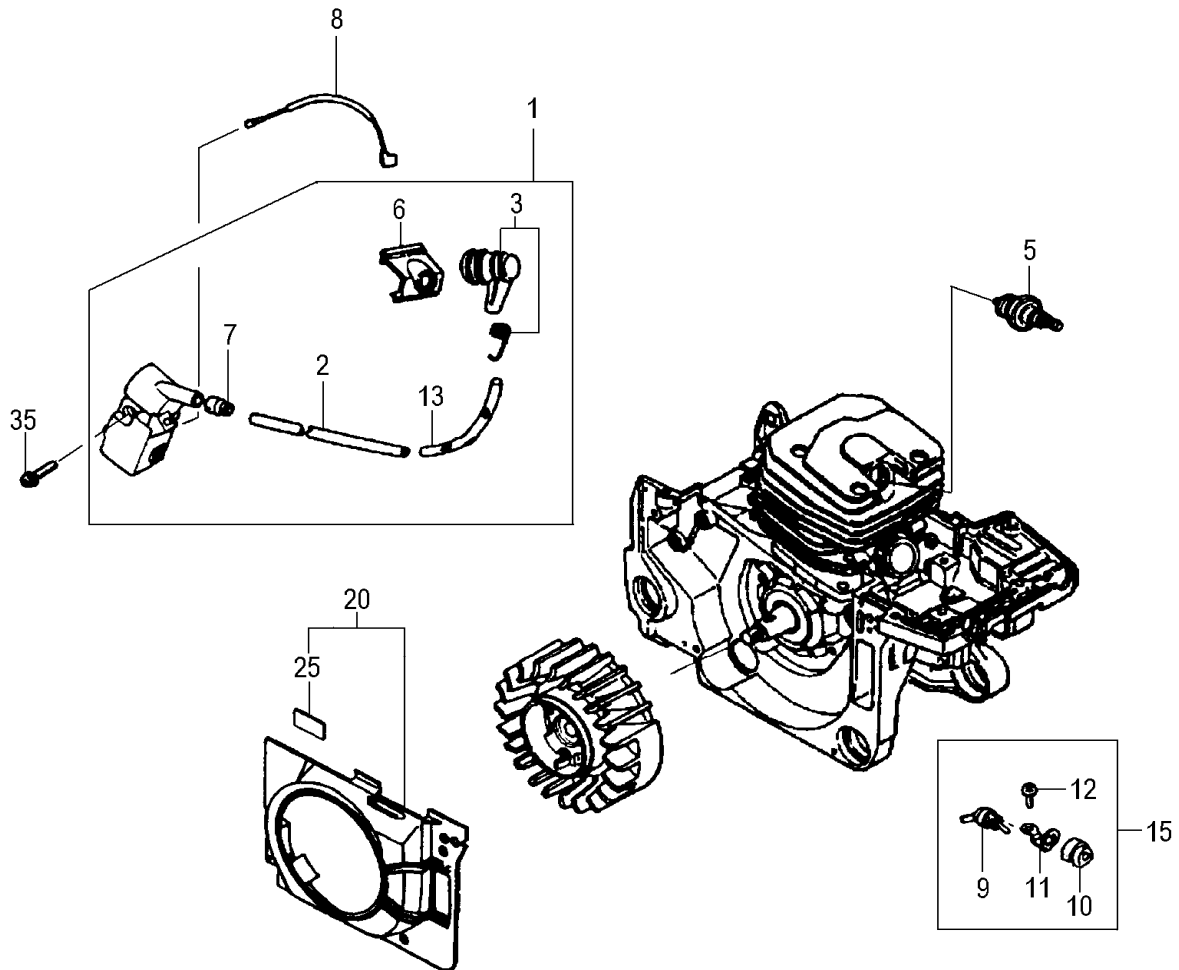
REF. NUMBER	PARTS NUMBER	DESCRIPTION	Q'TY	SERIAL NUMBER
C23-01 CYLINDER/PISTON/CRANK SHAFT				
003	668-5469	CYLINDER SET #	1	
004	668-5735	CYLINDER GASKET #	1	
005	669-2328	SPECIAL SCREW M5X20	4	
007	668-5590	DECOMPRESSION COMP. #	1	
008	668-5801	DECOMP COVER	1	
031	668-6031	PISTON PIN CIRCLIP	2	
032	668-6127	PISTONRING #	2	
033	668-5886	PISTON SET #	1	
034	668-6013	PISTON PIN #	1	
035	668-5994	PISTON PIN COLLAR #	2	
036	669-5607	NEEDLE BEARING #	1	
037	668-6187	CRANK SHAFT COMP. #	1	
038	668-6458	WOOD -RUFF KEY #	1	

C23-02 CRANK CASE



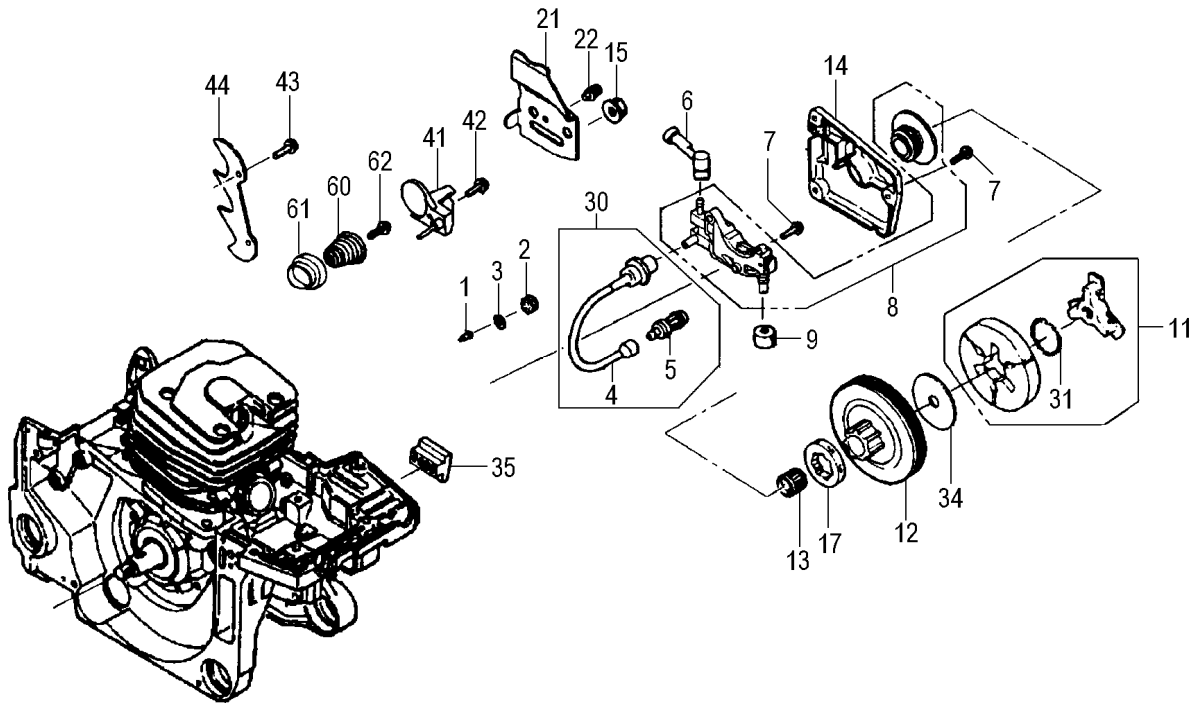
REF. NUMBER	PARTS NUMBER	DESCRIPTION	Q'TY	SERIAL NUMBER
C23-02 CRANK CASE				
011	668-6806	BAR TIGHTENING BOLT #	2	
012	669-5640	OIL SEAL ISD15284.5 #	1	
016	668-6439	FLY WHEEL WASHER	1	
017	668-6444	FLY WHEEL NUT	1	
022	669-2329	SPECIAL SCREW M5X25	5	
023	669-5642	OIL SEAL ISCD 15354.5 #	1	
024	668-8547	STOPPER A #	1	
025	668-8557	STOPPER B #	1	
031	668-8183	DAMPER CAP A	3	
032	669-2334	SPECIAL SCREW M5X16	3	
033	668-8114	FRONT DAMPER COMP. #	3	
040	669-2156	OIL TANK CAP ASS'Y #	1	
041	668-6545	CRANK CASE ASS'Y #	1	
042	668-6630	PIN	3	
043	669-1244	OIL TANK CAP PACKING	1	
044	668-5866	STOP RING C,INNER	1	
045	668-6682	BEARING #	2	
047	668-7981	H.L GROMMET #	1	
049	668-6711	CRANK CASE GASKET #	1	
058	669-0788	PLATE #	1	
063	668-7356	MAGNETO ROTOR ASS'Y #	1	
064	669-3660	STOP RING E	2	
065	669-3349	PAWL SPRING #	2	
066	669-3306	STARTER PAWL	2	
067	986-6662	MACHINE SCREW (W/WASHERS) M4	2	

C23-03 IGNITION SYSTEM



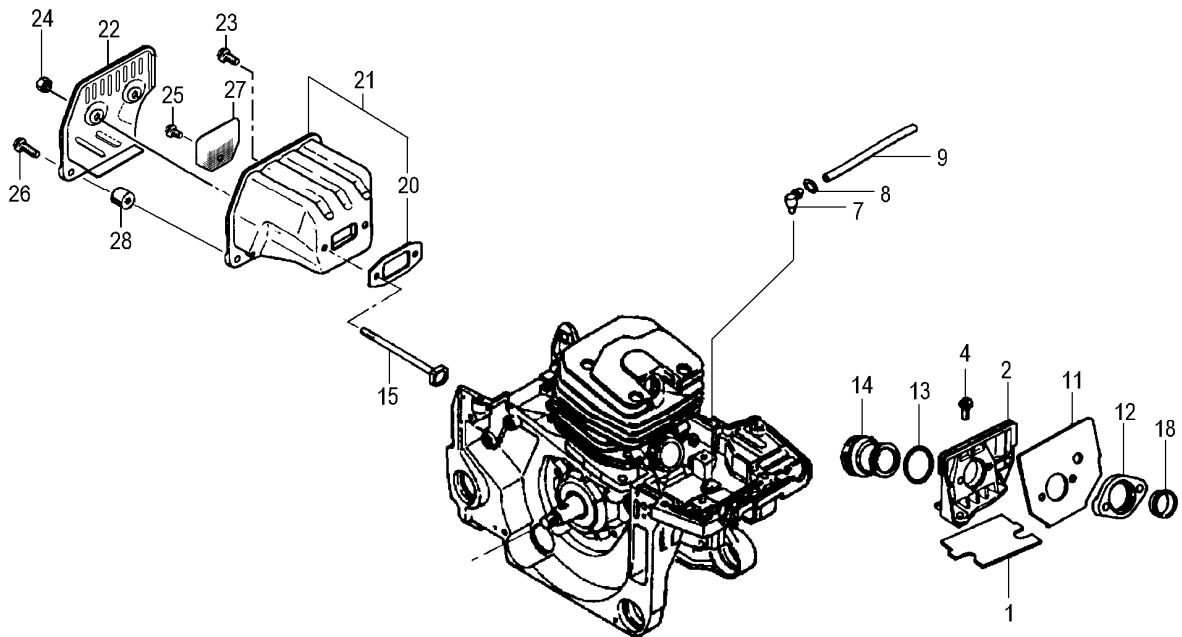
REF. NUMBER	PARTS NUMBER	DESCRIPTION	Q'TY	SERIAL NUMBER
C23-03 IGNITION SYSTEM				
001	668-7348	IGNITION COIL ASS'Y #	1	
002	668-7844	CORD #	1	
003	668-7471	PLUG CAP ASS'Y #	1	
005	668-5774	SPARK PLUG RCJ6Y #	1	
006	668-8335	SPARK PLUG COVER #	1	
007	669-0892	RUBBER CAP #	1	
008	668-7930	STOP CORD #	1	
009	668-7742	STOP SWITCH COMP. #	1	
010	668-8406	STOP BUTTON COVER	1	
011	669-2131	STOP BUTTON STAY #	1	
012	669-2337	SPECIAL SCREW M5X10	1	
013	668-8318	INSULATOR TUBE #	1	
015	668-7507	STOP SWITCH ASS'Y #	1	
020	668-7330	AIR DEFLECTOR #	1	
025	668-8258	DAMPER SEAT #	1	
035	669-2336	SPECIAL SCREW M5X20	2	

C23-04 CLUTCH/OIL PUMP



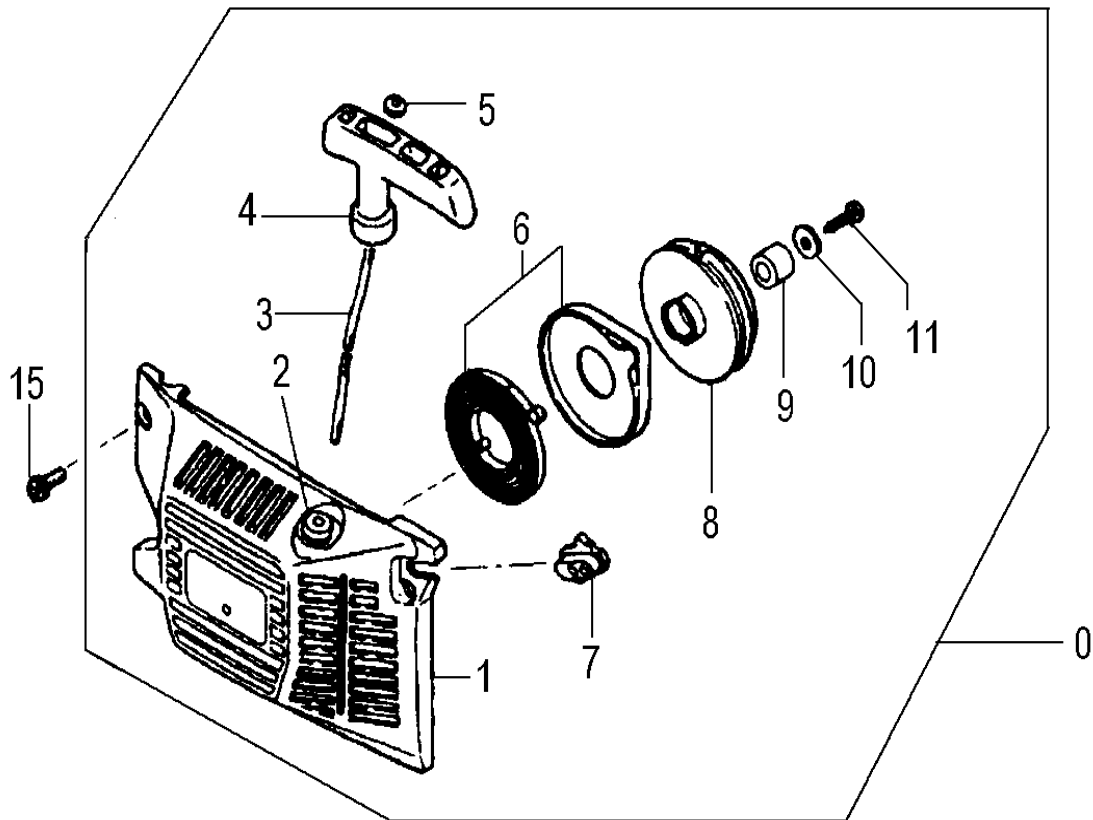
REF. NUMBER	PARTS NUMBER	DESCRIPTION	Q'TY	SERIAL NUMBER
C23-04 CLUTCH/OIL PUMP				
001	669-1378	AIR VENT VALVE B	1	
002	669-1402	AIR VENT SPONGE	1	
003	669-2322	CLIP	1	
004	669-0882	OIL PIPE #	1	
005	669-0916	OIL FILTER BODY COMP	1	
006	669-1222	OIL PIPE A #	1	
007	669-2335	SPECIAL BOLT M4X14	5	
008	669-5921	OIL PUMP ASS'Y #	1	
009	668-6744	OIL SPONGE	1	
011	668-8483	CLUTCH ASS'Y #	1	
012	668-9115	CLUTCH HOUSING #	1	
013	668-9536	NEEDLE BEARING #	1	
014	668-6760	OIL PUMP COVER #	1	
015	668-7106	CHAIN BAR CLAMP NUT	2	
017	668-9176	RIM SPROCKET #	1	
021	669-0732	GUIDE PLATE A #	1	
022	669-2330	SPECIAL SCREW M4X10	1	
030	669-0884	OIL PIPE ASS'Y	1	
031	668-9427	CLUTCH SPRING	1	
034	668-9644	CLUTCH WASHER B #	1	
035	669-0797	GUIDE	1	
041	668-7166	CHAIN CATCHER #	1	
042	669-2327	SPECIAL SCREW M5X14	1	
043	669-2327	SPECIAL SCREW M5X14	2	
044	669-0706	SPIKE #	1	
060	668-8248	DAMPER A #	1	
061	668-8479	DAMPER COLLAR A	1	
062	669-2334	SPECIAL SCREW M5X16	1	

C23-05 AIR CLEANER/MUFFLER



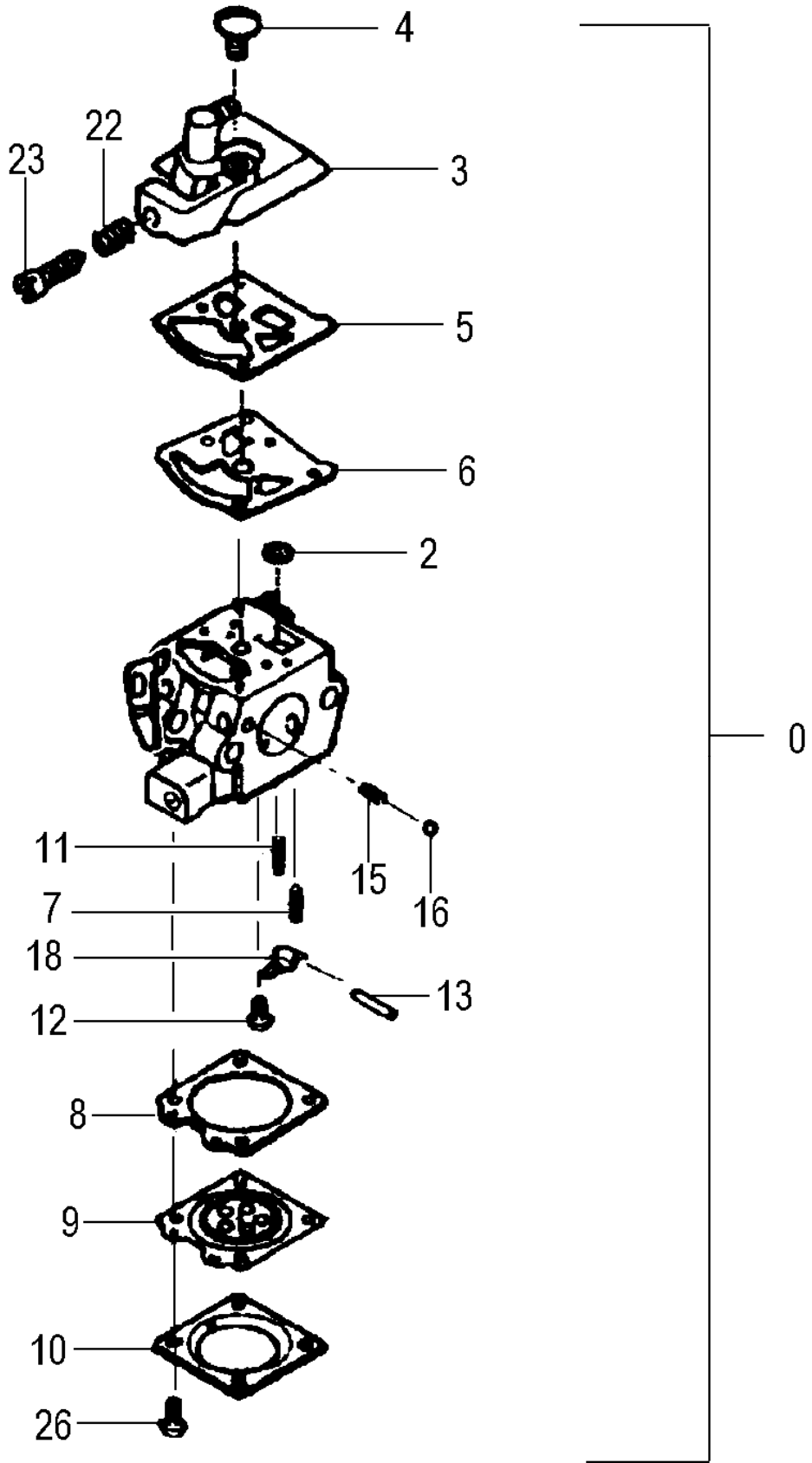
REF. NUMBER	PARTS NUMBER	DESCRIPTION	Q'TY	SERIAL NUMBER
C23-05 AIR CLEANER/MUFFLER				
001	668-7239	HEAT SHIELD #	1	
002	668-9942	CARB.INSULATOR COMP. #	1	
004	669-2327	SPECIAL SCREW M5X14	2	
007	669-1006	ELBOW JOINT #	1	
008	669-0171	CLIP A	1	
009	669-2302	RUBBER PIPE #	1	
011	668-9830	CARBURETOR GASKET	1	
012	668-8308	SPACER #	1	
013	668-6451	SPRING #	1	
014	668-9798	INLET MANIFOLD #	1	
015	669-2880	MUFFLER SPCIAL BOLT #	2	
018	668-9821	INLET MANIFOLD RING #	1	
020	669-2740	MUFFLER GASKET	1	
021	669-2462	MUFFLER SET	1	
022	669-2721	MUFFLER COVER	1	
023	669-2337	SPECIAL SCREW M5X10	1	
024	669-2684	MUFFLER NUT	2	
025	669-2330	SPECIAL SCREW M4X10	1	
026	669-2336	SPECIAL SCREW M5X20	1	
027	669-2695	SPARK ARRESTER	1	
028	669-2845	SPACER,MUFFLER COVER	1	

C23-06 RECOIL STARTER



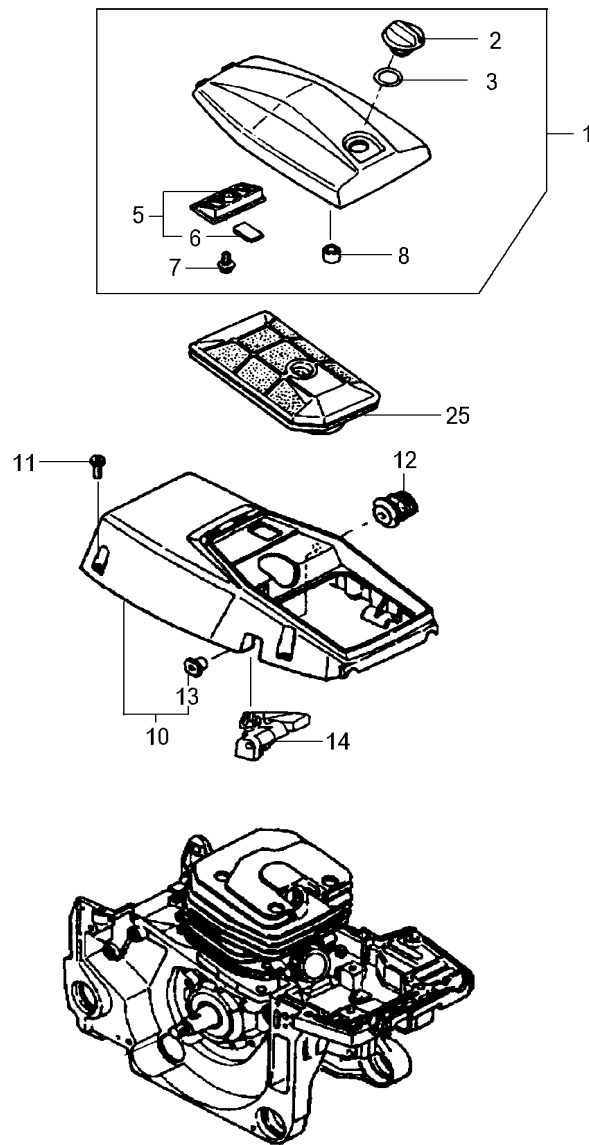
REF. NUMBER	PARTS NUMBER	DESCRIPTION	Q'TY	SERIAL NUMBER
C23-06 RECOIL STARTER				
000	669-2920	RECOIL STARTER ASS'Y #	1	
001	668-6967	FANCASE COMP. #	1	
002	669-3134	ROPE GUIDE	1	
003	669-3163	STARTER ROPE #	1	
004	669-3231	STARTER HANDLE #	1	
005	669-3382	ROPE STOPPER	1	
006	669-3097	RECOIL SPRING CASE ASS'Y #	1	
007	668-7982	H.L. GUIDE #	1	
008	669-3064	STARTER ROPE REEL #	1	
009	669-3278	STARTER BOSS #	1	
010	669-3251	STARTER WASHER	1	
011	669-2336	SPECIAL SCREW M5X20	1	
015	669-2327	SPECIAL SCREW M5X14	4	

C23-07 CARBURETOR



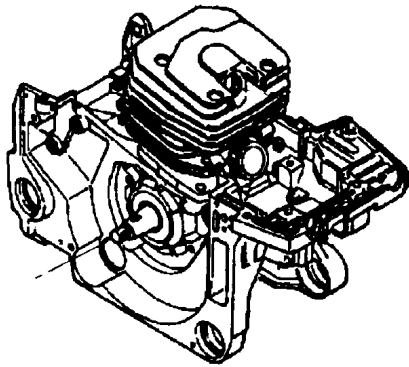
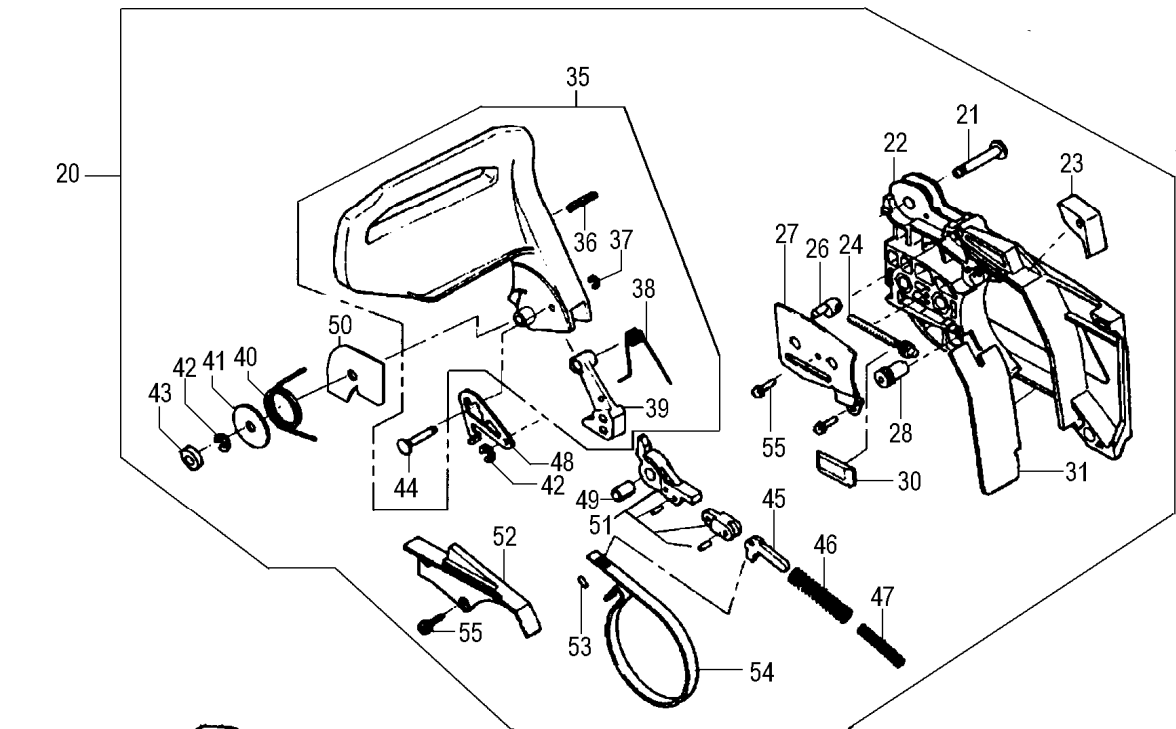
REF. NUMBER	PARTS NUMBER	DESCRIPTION	Q'TY	SERIAL NUMBER
C23-07 CARBURETOR				
000	669-0655	CARBURETOR ASS'Y WT666	1	
002	668-4700	INLET SCREEN	1	
003	669-1439	PUMP BODY #	1	
004	668-5210	SCREW	1	
005	668-5212	PUMP GASKET	1	
006	669-1448	PUMP DIAPHRAGM #	1	
007	668-5215	NEEDLE VALVE	1	
008	669-0837	DIAPHRAGM GASKET	1	
009	669-0830	METERING DIAPHRAGM COMP.	1	
010	668-5222	DIAPHRAGM COVER	1	
011	669-0872	VALVE SPRING	1	
012	668-5218	HINGE PIN SET SCREW	1	
013	668-5219	HINGE PIN	1	
015	669-1012	CHOKE SPRING	1	
016	669-1405	STEEL BALL	1	
018	668-5217	CONTROL LEVER	1	
022	668-5297	IDLE ADJUST SPRING	1	
023	669-0742	IDLE ADJUST SCREW #	1	
026	668-5223	SET SCREW	4	
	669-2184	CARB. REPAIR KIT, K10-WAT	1	
	669-2194	GASKET/DIA. KIT, D10WAT	1	

C23-08 CLEANER COVER



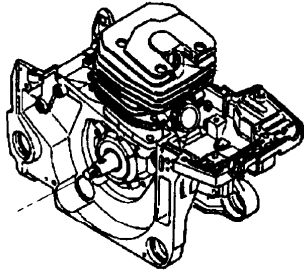
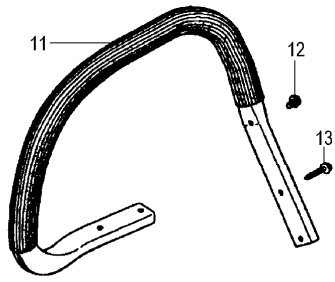
REF. NUMBER	PARTS NUMBER	DESCRIPTION	Q'TY	SERIAL NUMBER
C23-08 CLEANER COVER				
001	669-0405	CLEANER COVER ASS'Y	# 1	
002	668-7797	CLEANER KNOB	# 1	
003	669-0057	CLEANER PACKING	1	
005	669-0175	FILTER SCREEN	# 1	
006	669-0326	CLEANER ELEMENT A	1	
007	669-5245	TAPPING SCREW 4X10	1	
008	669-0902	RUBBER CAP	1	
010	668-5685	CYLINDER COVER ASS'Y	# 1	
011	669-2327	SPECIAL SCREW M5X14	5	
012	668-8102	HANDLE DAMPER COMP.	# 1	
013	668-9752	SPECIAL NUT	# 1	
014	668-7975	GROMMET	1	
025	669-0069	CLEANER ELEMENT COMP.	# 1	

C23-09 SIDE CASE/CHAIN BRAKE

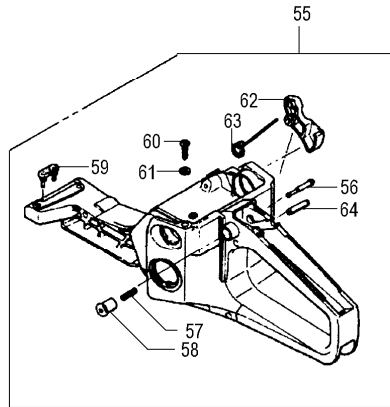
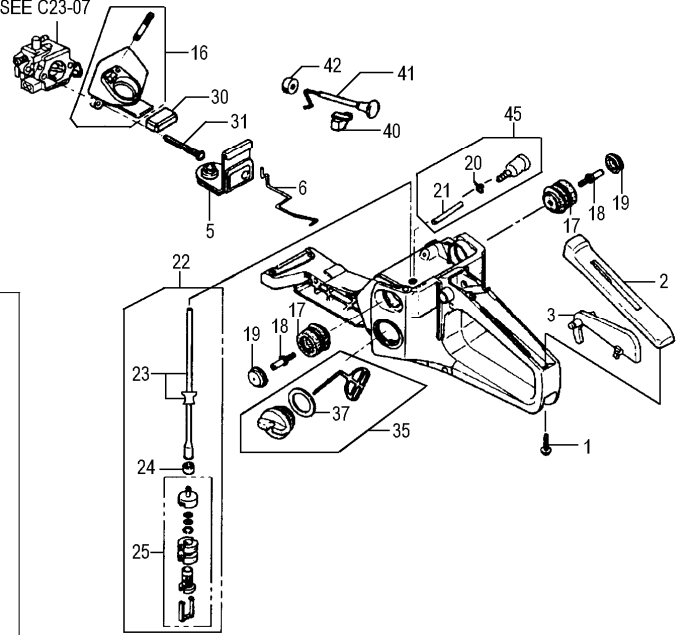


REF. NUMBER	PARTS NUMBER	DESCRIPTION	Q'TY	SERIAL NUMBER
C23-09 SIDE CASE/CHAIN BRAKE				
020	669-6399	SIDE CASE ASS'Y	1	
021	669-3444	HAND GUARD SHAFT #	1	
022	668-6041	SIDE CASE COMP. #	1	
023	668-8566	STOPPER C #	1	
024	668-7070	CHAIN TENSION BOLT #	1	
026	668-7058	TENSION ADJUSTING BOSS #	1	
027	669-0753	GUIDE PLATE B #	1	
028	668-8657	GEAR #	1	
030	669-0797	GUIDE	1	
031	668-9162	CHAIN PROTECTOR #	1	
035	669-6210	FRONT HAND GUARD ASS'Y	1	
036	669-1022	SPRING PIN	1	
037	669-3662	STOP RING E	1	
038	669-3489	WEIGHT SPRING	1	
039	669-3482	HAND GUARD WE/GHT #	1	
040	669-3448	HAND GUARD SPRING #	1	
041	669-1213	WASHER	1	
042	669-3660	STOP RING E	2	
043	669-3432	SPACER	1	
044	669-3508	PIN #	1	
045	668-9693	BRAKE ARM #	1	
046	668-9703	BRAKE SPRING #	1	
047	668-9704	BRAKE SPRING #	1	
048	668-9778	BRAKE LINK SUPPORT #	1	
049	668-9773	COLLAR	1	
050	668-7951	SHIELD	1	
051	668-9731	BRAKE LINK COMP. #	1	
052	668-9710	BRAKE LINK COVER #	1	
053	668-9716	BRAKE BAND HOLDER	1	
054	668-9726	BRAKE BAND #	1	
055	669-2341	SPECIAL SCREW M4X12	5	

C23-10 HANDLE

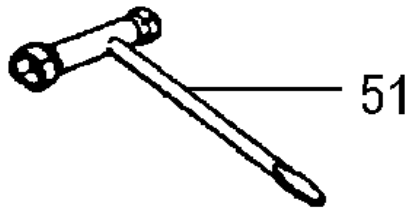
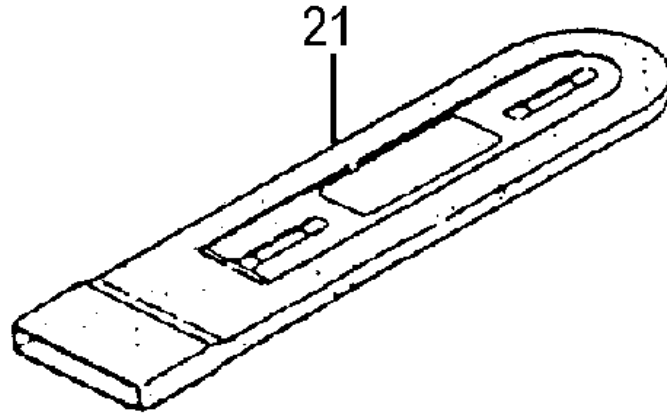


SEE C23-07



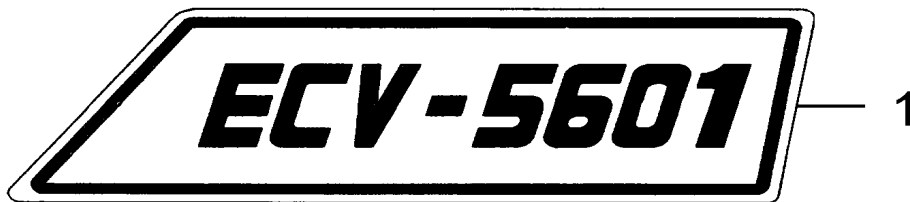
REF. NUMBER	PARTS NUMBER	DESCRIPTION	Q'TY	SERIAL NUMBER
C23-10 HANDLE				
001	669-2331	SPECIAL SCREW M5X19	1	
002	668-8216	REAR HANDLE GRIP #	1	
003	668-8356	SAFTY LEVER	1	
005	669-0997	GROMMET	1	
006	669-0970	THROTTLE ROD #	1	
011	668-8074	FRONT HANDLE COMP. #	1	
012	669-2339	SPECIAL BOLT	1	
013	669-2331	SPECIAL SCREW M5X19	1	
016	669-0199	AIR CLEANER BASE COMP. #	1	
017	668-8180	REAR DAMPER COMP. #	2	
018	668-8631	DAMPER SET BOLT A #	2	
019	668-8403	DAMPER CAP B	2	
020	669-0174	CLIP B	1	
021	669-1392	AIR VENT PIPE	1	
022	669-2342	FUEL PIPE ASS'Y #	1	
023	669-2429	FUEL PIPE ASS'Y	1	
024	669-0878	COLLAR #	1	
025	669-2277	PUMP FILTER BODY ASS'Y #	1	
030	669-1826	CUSHION RUBBER #	1	
031	669-2338	SPECIAL SCREW M5X52	2	
035	669-2116	TANK CAP ASS'Y #	1	
037	669-2099	TANK CAP PACKING	1	
040	669-2601	GUIDE	1	
041	669-2585	CHOKE ROD COMP.	1	
042	669-6172	CHOKE ROD RUBBER	1	
045	669-2173	AIR VENT VALVE ASS'Y #	1	
055	668-5660	REAR HANDLE ASS'Y #	1	
056	668-6432	PUSH PIN	1	
057	668-6448	PUSH PIN SPRING	1	
058	669-2682	PUSH PIN CAP	1	
059	668-8242	FRONT DAMPER	1	
060	669-2340	SPECIAL SCREW M4X16	1	
061	669-0137	PACKING	1	
062	668-6385	THROTTLE LEVER	1	
063	668-6415	THROTTLE LEVER SPRING	1	
064	669-1021	SPRING PIN	1	

C23-11 COVER/CHAIN & BAR/TOOLS



REF. NUMBER	PARTS NUMBER	DESCRIPTION	Q'TY	SERIAL NUMBER
C23-11 COVER/CHAIN & BAR/TOOLS				
021	669-4804	CHAIN COVER 20	1	
050	669-3802	DRIVER #	1	
051	669-3810	COMBI.SPANNER #	1	

C23-12 LABELS

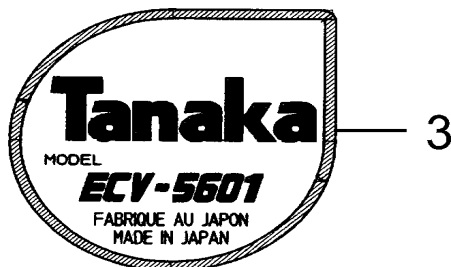


Manufactured by; Tanaka Kogyo Co., Ltd.
Chiba, JAPAN

WARNING!

- Read and follow all safety precautions in the owner's manual.
- Failure to follow instructions could result in serious injury.
- Avoid contact of bar tip with any object. This may cause bar to "KICK BACK" suddenly, which may cause serious injury.
- Always use two hands to operate the saw.
- The following bar and chain combinations are approved for reducing kickback:
OREGON Chain 33SL078X and Bar 200SLGK095

2



REF. NUMBER	PARTS NUMBER	DESCRIPTION	Q'TY	SERIAL NUMBER
C23-12 LABELS				
001	669-4272	NAME PLATE ECV5601	1	
002	669-4442	CAUTION MARK A	1	
003	669-4485	STARTER MARK ECV5601	1	