

SPARE PARTS CATALOGUE

BRUSH CUTTER

MODEL

TBC-200

Tanaka

(US)

FIGURE 1 ENGINE ASSEMBLY

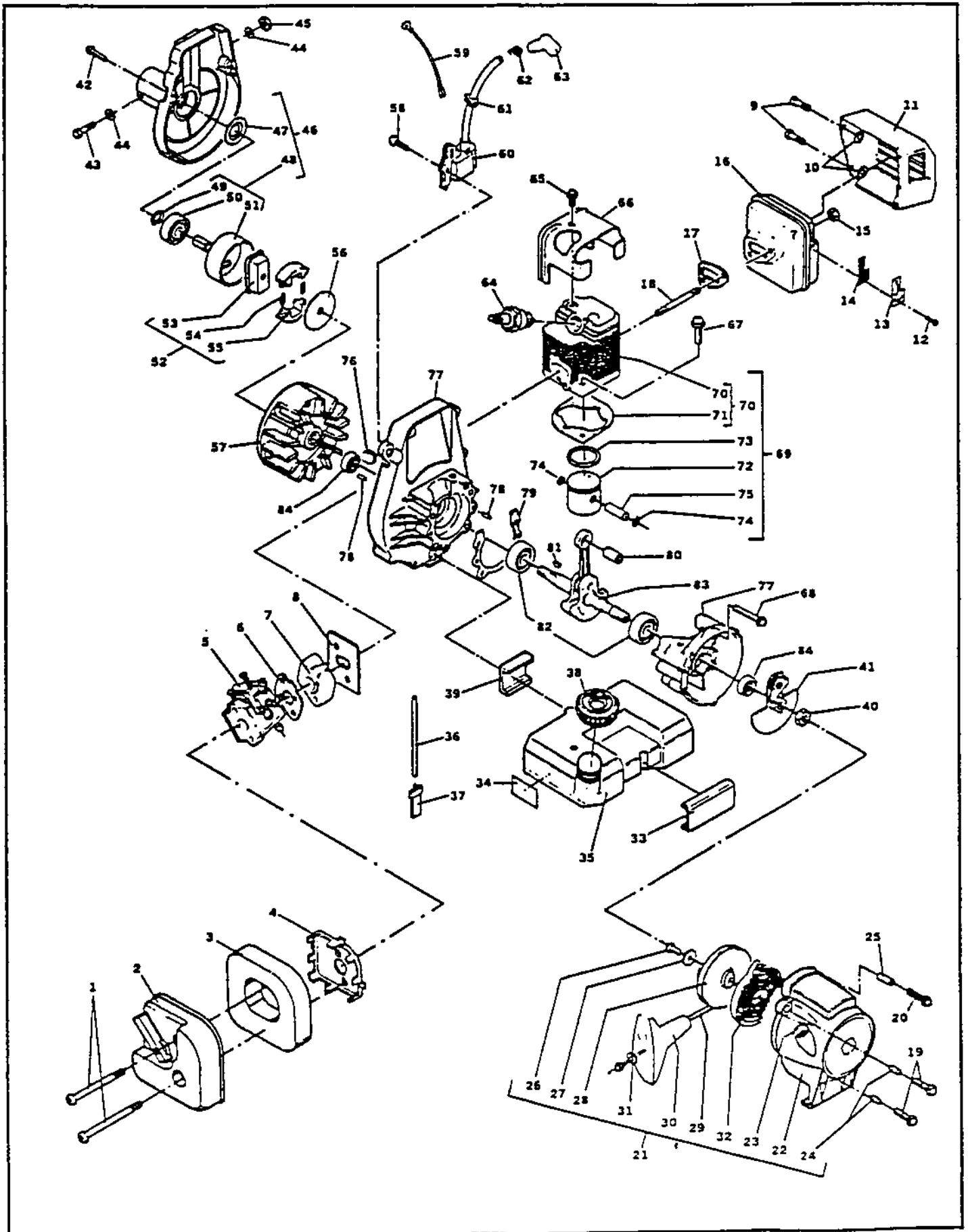
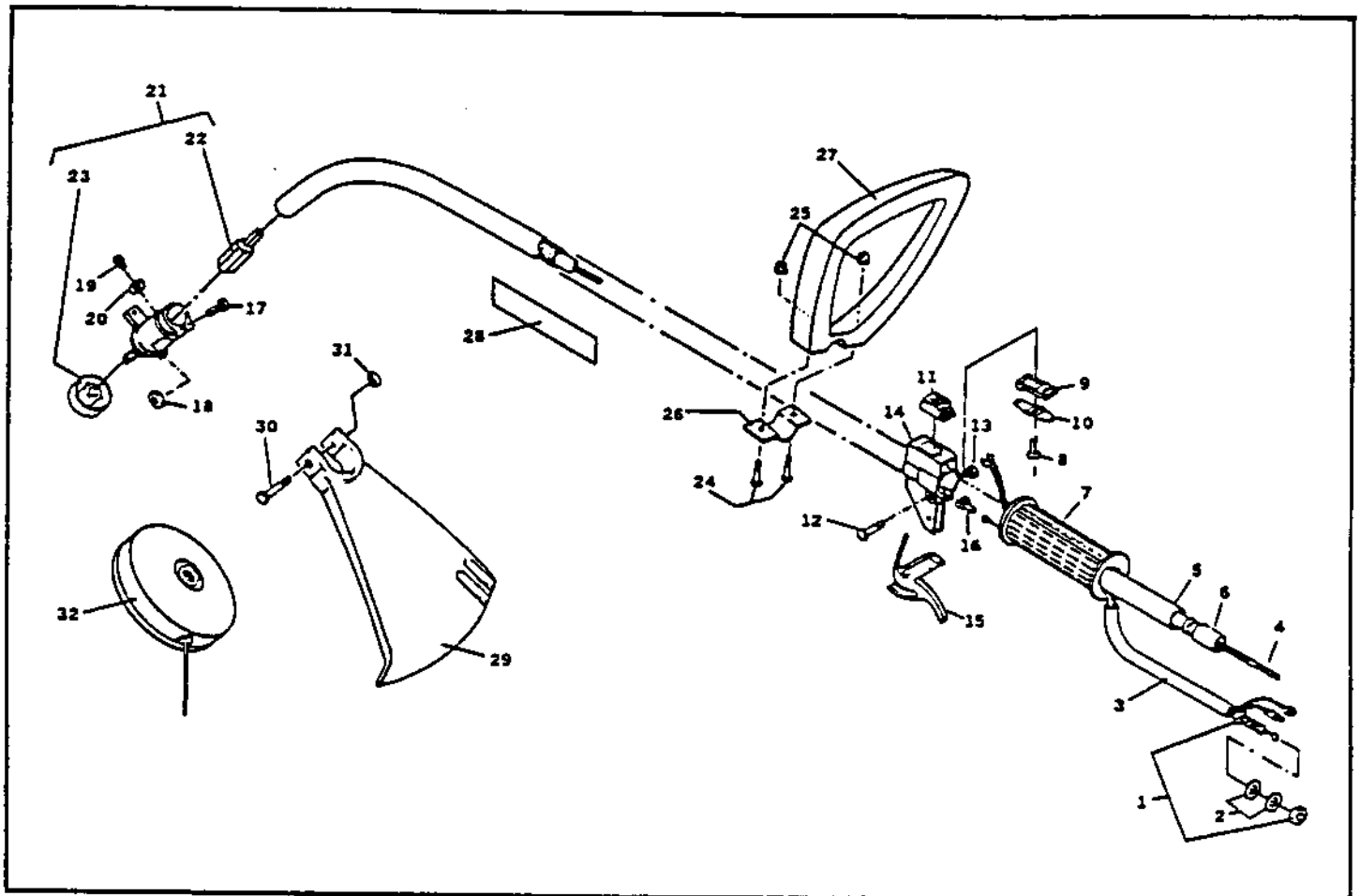


FIGURE 1 ENGINE ASSEMBLY

ITEM NO.	PART NUMBER	DESCRIPTION	UNITS PER ASY
1	990-5635V-691	SCREW/CHOKE COVER	2
2	424-0635V-800	COVER ASSY/CHOKE	1
3	446-0635V-200	AIR FILTER	1
4	423-0635V-200	CLEANER BODY	1
5	-----	SEE CARBURETOR	
6	402-0635V-200	CARB. GASKET	1
7	404-0635V-200	CARB. INSULATOR	1
8	403-0635V-200	INSULATOR GASKET	1
9	994-4635V-181	SCREW 4 X 18	2
10	011-0635V-200	SPACER	2
11	738-0635V-200	MUFFLER PROTECTOR	1
12	993-0635V-121	TAPPING SCREW 3 X 12	2
13	721-0635V-200	ARRESTOR SCREEN COV.	1
14	732-0635V-200	SPARK ARRESTOR	1
15	991-0635V-100	NUT 5	2
16	705-0635V-900	MUFFLER ASS'Y	1
17	737-0635V-200	MUFFLER GASKET	1
18	100-0635V-200	STUD BOLT	2
19	994-4635V-231	SCREW 4 X 23	2
20	994-4635V-251	SCREW 4 X 25	1
21	762-0635V-900	RECOIL STARTER ASS'Y	1
22	772-0635V-800	STARTER BODY	1
23	780-0635V-200	ROPE GUIDE	1
24	659-37702-200	SPACER HSG.	2
25	659-0635V-200	MUFFLER SPACER	1
26	990-4635V-095	SCREW 4 X 9.5	1
27	992-01040-011	WASHER	4
28	774-0635V-200	ROPE REEL	1
29	783-0635V-200	ROPE	1
30	785-0635V-200	STARTER HANDLE	1
31	795-0635V-200	ROPE WASHER	1
32	779-0635V-200	STARTER SPRING	1
33	655-0635V-200	CUSHION RUBBER	1
34	909-0635V-200	DECAL (FUEL MIX)	1
35	591-0635V-900	FUEL TANK ASS'Y	1
36	700-0635V-200	FUEL HOSE	1
37	675-0635V-900	FUEL PICK-UP	1
38	595-0635V-900	TANK CAP	1
39	652-0635V-200	CUSHION RUBBER	1
40	066-0635V-200	PULLEY NUT	1
41	798-0635V-900	RATCHET ASS'Y	1

ITEM NO.	PART NUMBER	DESCRIPTION	UNITS PER ASY
42	994-4635V-185	SCREW 4 X 18.5	4
43	990-5635V-351	BOLT 5 X 35	1
44	992-00050-011	SMALL WASHER 5	2
45	991-01050-011	NUT 5	1
46	112-0635V-900	FAN HOUSING ASS'Y	1
47	801-0635V-200	PLATE-THRUST	1
48	289-0635V-900	CLUTCH DRUM ASS'Y	1
49	993-0635V-200	STOP RING	1
50	999-0635V-000	BALL BEARING	1
51	289-0635V-200	CLUTCH DRUM ASS'Y	1
52	287-0635V-900	CLUTCH ASS'Y	1
53	346-0635V-200	CLUTCH ROTOR	1
54	342-0635V-200	CLUTCH SPRING	2
55	-----	SHOE	2
56	348-0635V-200	SIDE PLATE	1
57	155-0635V-800	FLYWHEEL COMP	1
58	994-4635V-231	SCREW 4 X 23	2
59	178-0635V-800	WIRE COMP	1
60	167-0635V-800	IGNITION COIL COMP	1
61	202-0635V-200	GROMMET	1
62	252-0635V-200	CONNECTOR	1
63	251-0635V-200	SPARK PLUG BOOT	1
64	018-0635V-200	SPARK PLUG DJ&J	1
65	994-5635V-085	SCREW 5 X 8.5	1
66	016-0635V-200	CYLINDER COVER	1
67	994-5635V-181	SCREW 6 X 18	2
68	994-5635V-285	SCREW 5 X 28.5	4
69	002-0635V-900	KIT CYL/PISTON	1
70	002-0635V-200	CYLINDER	1
71	017-0635V-200	CYLINDER GASKET	1
72	031-0635V-200	PISTON	1
73	040-0635V-200	PISTON RING	1
74	039-0635V-200	CIRCLIP	2
75	037-0635V-200	PISTON PIN	1
76	203-0635V-200	GROMMET	1
77	075-0635V-900	CRANK CASE ASS'Y	1
78	999-0635V-200	PIN	4
79	090-0635V-200	CRANKCASE GASKET	1
80	999-0635V-001	NEEDLE BEARING	1
81	068-0635V-200	FLYWHEEL KEY	1
82	999-0635V-002	ROLLER BEARING	2
83	046-0635V-800	CRANK SHAFT COMP.	1
84	999-0635V-003	OIL SEAL	2

FIGURE 2 SHAFT ASSEMBLY

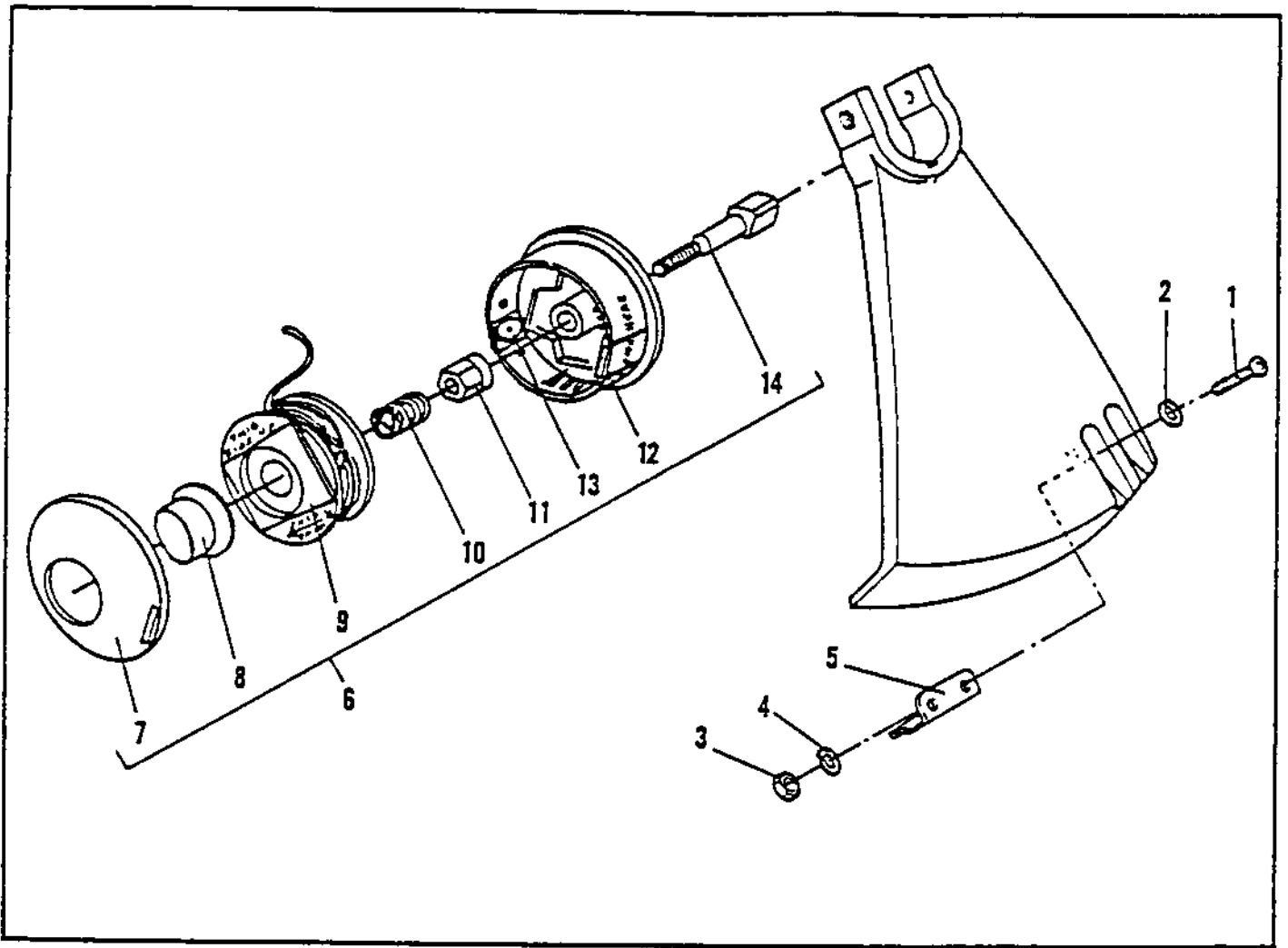


SHAFT ASSEMBLY

ITEM NO.	PART NUMBER	DESCRIPTION	UNITS PER ASY
1	991-01060-013	NUT 6	2
2	992-01060-011	WASHER 6	2
3	885-0635V-900	WIRE HARNESS ASSY	1
4	344-37702-800	FLEXIBLE SHAFT	1
5	341-37702-800	SHAFT PIPE ASS'Y	1
6	350-37702-800	SLEEVE	1
7	504-37702-200	SHAFT GRIP	1
8	990-37702-200	SCREW	1
9	262-37702-200	SWITCH BASE	1
10	176-37702-200	CONTACT SWITCH	1
11	162-37702-200	BUTTON-SWITCH	1
12	994-5635V-281	SCREW 5 X 28	1
13	991-01050-011	NUT 5	1
14	870-37702-200	TRIGGER BASE	1
15	880-37702-200	TRIGGER	1
16	161-37702-200	THROTTLE GUIDE	1

ITEM NO.	PART NUMBER	DESCRIPTION	UNITS PER ASY
17	990-37702-100	SCREW	1
18	992-37702-100	NUT	1
19	990-4635V-095	SCREW 4 X 9.5	1
20	992-01040-011	WASHER 4	1
21	300-37702-900	KIT-HSG. ASS'Y	1
22	304-37702-200	COUPLING	1
23	310-37702-200	CUTTER HOLDER	1
24	990-5635V-221	BOLT 5 X 22	2
25	991-01050-011	NUT 5	2
26	506-37702-200	HANDLE BRACKET	1
27	500-37702-200	HANDLE	1
28	929-33710-200	SYMBOL MARK	1
29	441-37702-200	SAFETY COVER	1
30	990-6635V-501	SCREW 6 X 50	1
31	991-01060-011	NUT 6	1
32	-----	SEE FIGURE 3	

FIGURE 3 STRINGHEAD ASSEMBLY

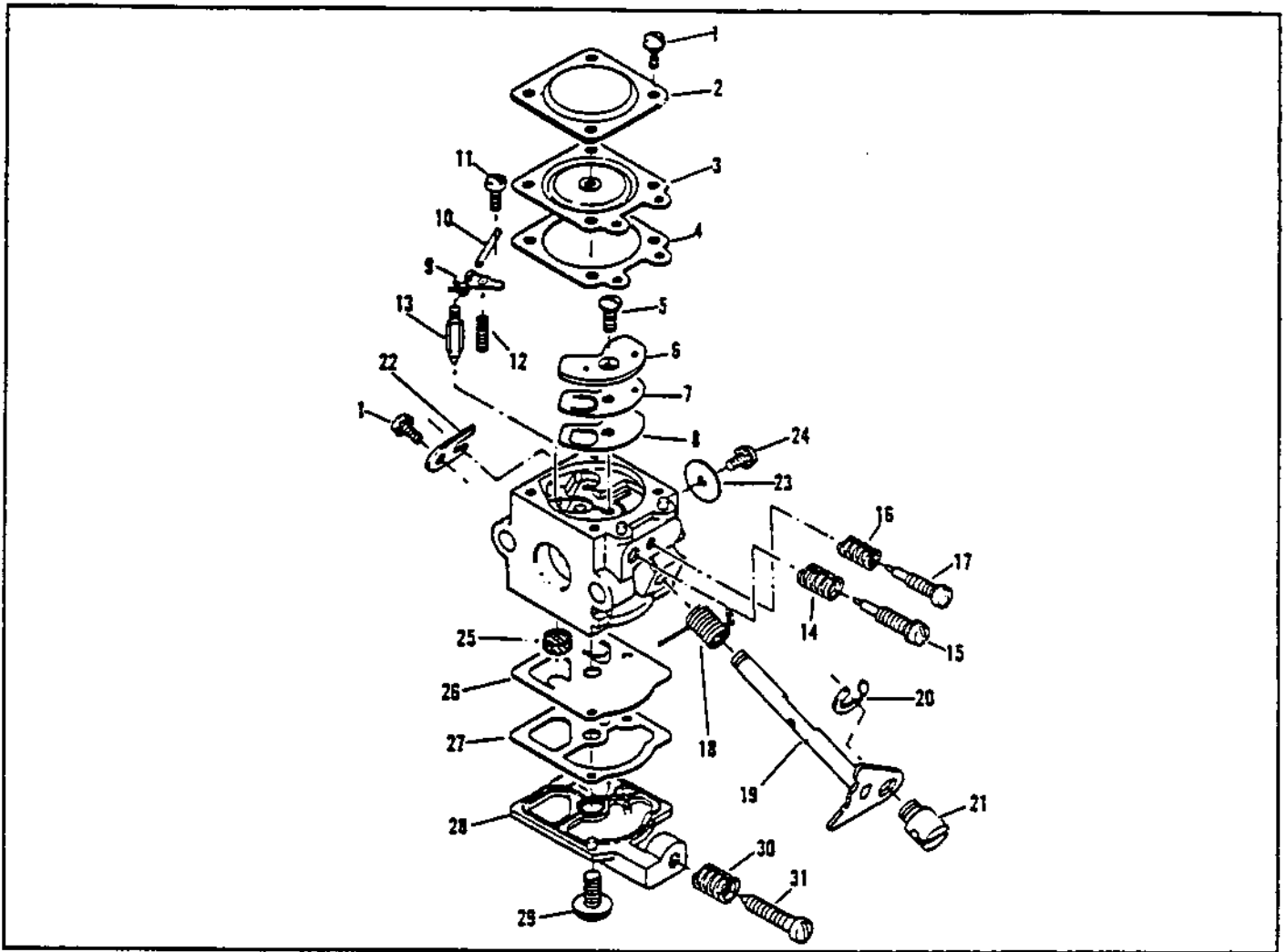


STRINGHEAD ASSEMBLY

ITEM NO.	PART NUMBER	DESCRIPTION	UNITS PER ASY
1	990-37702-300	SCREW 10-24 x .75	2
2	992-37702-200	WASHER FLAT	2
3	992-37702-100	NUT	2
4	992-37702-300	WASHER-LOCK	2
5	800-37702-200	KNIFE	1
6	NH-140	CUTTING HEAD ASS	1
7	140-8	BODY CAP	1

ITEM NO.	PART NUMBER	DESCRIPTION	UNITS PER ASY
8	140-7	TAP BUTTON	1
9	140-4	SPOOL	1
10	140-5	SPRING	1
11	140-6	NUT	1
12	140-2	HOUSING	1
13	140-3	EYELET	1
14	140-1	SHAFT BOLT	1

FIGURE 4 CARBURETOR ASSEMBLY



CARBURETOR ASSEMBLY

ITEM NO.	PART NUMBER	DESCRIPTION	UNITS PER ASY
	455-0635V-900	CARBURETOR/WA-146	1
1	548-25012-200	SET SCREW	1
2	476-25004-200	DIAPHRAGM COVER	1
3	474-25001-800	METERING DIAPHRAGM	1
4	475-25001-200	DIAPHRAGM GASKET	1
5	524-25001-200	CIRCUIT PLATE SCREW	1
6	523-25001-200	CIRCUIT PLATE	1
7	521-25001-200	CIRCUIT CHECK VALVE	1
8	522-25001-200	CIRCUIT PLATE GASKET	1
9	473-25001-200	VALVE HINGE	1
10	605-25001-200	HINGE PIN	1
11	546-25001-200	HINGE PIN SET SCREW	1
12	477-0635V-200	VALVE SPRING	1
13	603-25001-200	NEEDLE VALVE	1
14	485-25003-200	HIGH ADJUST SPRING	1
15	460-25006-200	HIGH ADJUST SCREW	1

ITEM NO.	PART NUMBER	DESCRIPTION	UNITS PER ASY
16	623-25001-200	LOW ADJUST SPRING	1
17	461-0635V-200	LOW ADJUST SCREW	1
18	486-25009-200	THROTTLE SPRING	1
19	464-25010-800	THROTTLE SHAFT	1
20	489-25008-200	STOP RING	1
21	539-25008-200	SWIVEL	1
22	557-25006-200	CLIP-THROTTLE SHAFT	1
23	488-25008-200	THROTTLE VALVE	1
24	467-25003-200	SHUTTER SCREW	1
25	578-25007-200	INLET SCREW	1
26	576-25001-200	PUMP DIAPHRAGM	1
27	577-25001-200	PUMP GASKET	1
28	575-0635V-200	PUMP COVER	1
29	514-25001-200	SET SCREW	1
30	463-0635V-200	IDLE ADJUST SPRING	1
31	462-0635V-200	IDLE ADJUST SCREW	1