

Tanaka

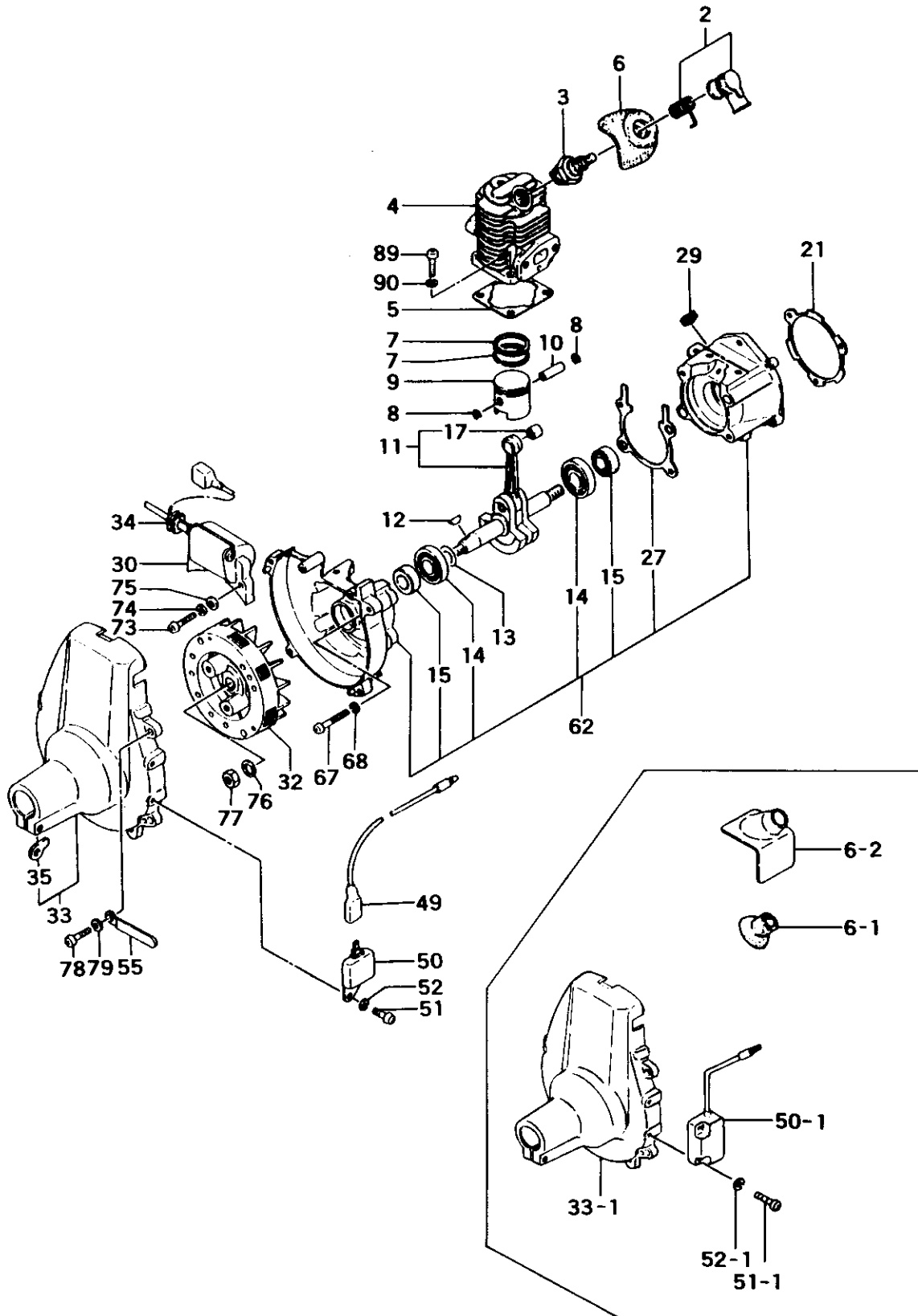
Parts Catalog

Trimmer/Brushcutter

Model: TBC-215

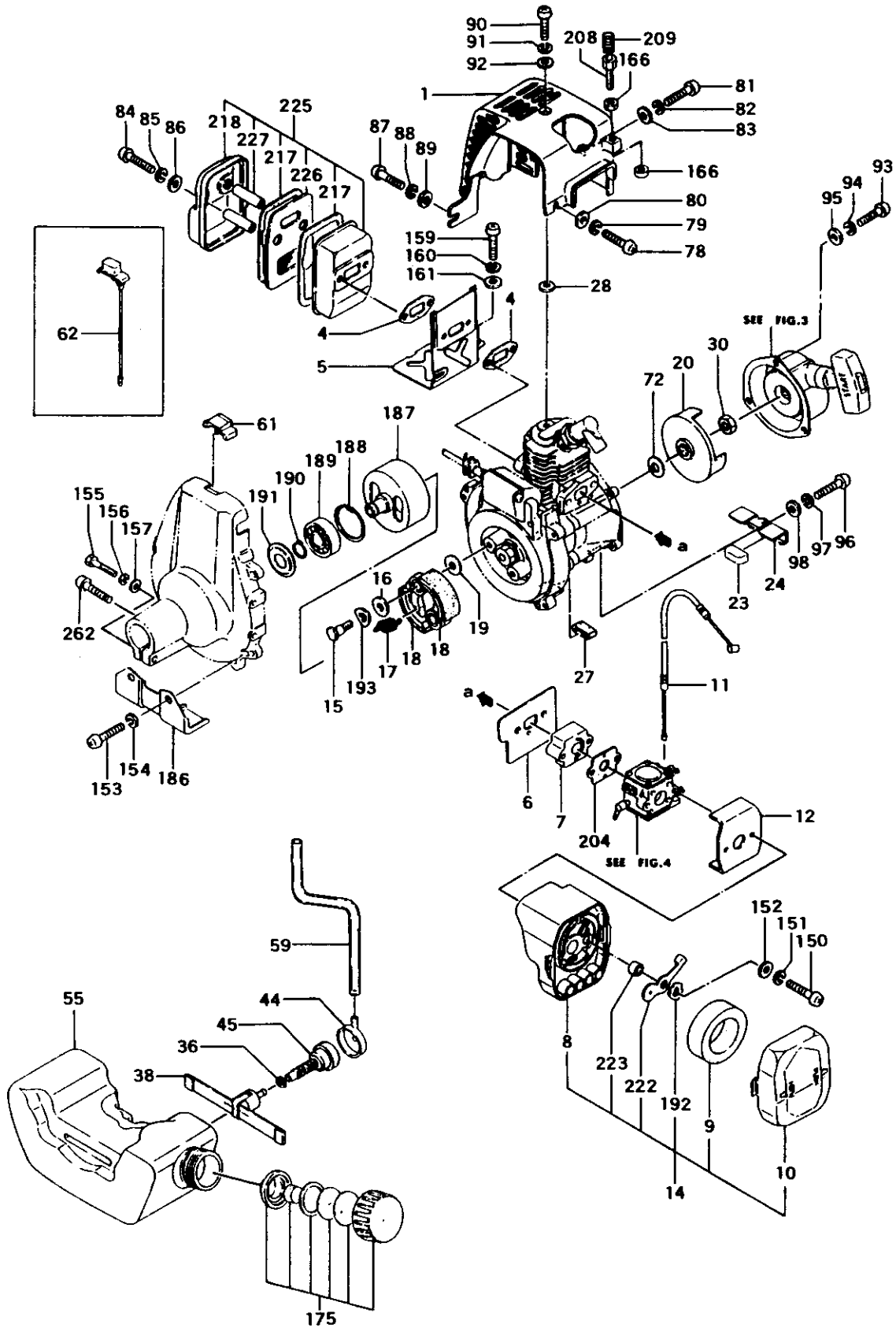
Units Prior To Serial No. F014100

FIG. 1 ENGINE



| REF. NBR | PART NBR | PART NAME | QTY | | SERIAL NBR | REMARKS |
|----------|---------------|--------------------------------|-----|---|------------|---------|
| 1-002 | 157-04000-900 | SPARK PLUG CAP ASS'Y | 1 | R | -E173579 | |
| 1-002 | 157-04200-900 | SPARK PLUG CAP ASS'Y | 1 | | E173580- | |
| 1-003 | 018-00502-200 | SPARK PLUG BMGA | 1 | | | |
| 1-004 | 002-06091-801 | CYLINDER COMP. | 1 | M | | |
| 1-004 | 002-06092-800 | CYLINDER COMP. | 1 | I | -C021652 | |
| 1-004 | 002-06092-801 | CYLINDER COMP. | 1 | R | -D082525 | |
| 1-004 | 002-06092-802 | CYLINDER COMP. | 1 | R | -D082525 | |
| 1-004 | 002-06092-803 | CYLINDER COMP. | 1 | | D082526- | |
| 1-005 | 017-06091-200 | CYLINDER GASKET | 1 | I | -E165450 | |
| 1-005 | 017-06091-201 | CYLINDER GASKET | 1 | | E165451- | |
| 1-006, 1 | 255-0062A-200 | SPARK PLUG RUBBER COVER | 1 | R | -C213509 | |
| 1-006, 2 | 255-0608A-200 | SPARK PLUG RUBBER COVER | 1 | R | -E165450 | |
| 1-006 | 255-0630G-210 | SPARK PLUG RUBBER COVER | 1 | | E165451- | |
| 1-007 | 041-00000-200 | PISTON RING | 2 | | | |
| 1-008 | 039-06100-200 | CIR CLIP | 2 | | | |
| 1-009 | 031-06091-200 | PISTON COMP. | 1 | R | -B241787 | |
| 1-009 | 031-06091-201 | PISTON COMP. | 1 | | -C097928 | |
| 1-009 | 031-06097-200 | PISTON | 1 | N | -D082525 | |
| 1-009 | 031-06097-200 | PISTON | 1 | I | -D082525 | |
| 1-009 | 031-06097-201 | PISTON | 1 | | D082526- | |
| 1-010 | 037-06100-200 | PISTON PIN | 1 | | -C097928 | |
| 1-010 | 037-06097-200 | PISTON PIN | 1 | N | C097929- | |
| 1-011 | 046-06091-800 | CRANK SHAFT COMP. | 1 | | | |
| 1-012 | 068-10100-200 | WOOD-RUFF KEY 3X13X4.5 | 1 | | | |
| 1-013 | 330-00200-210 | GEAR SHAFT SHIM 0.10 | | V | | |
| 1-013 | 330-00200-220 | GEAR SHAFT SHIM 0.15 | | V | | |
| 1-013 | 330-00200-230 | GEAR SHAFT SHIM 0.20 | | V | | |
| 1-013 | 330-00200-240 | GEAR SHAFT SHIM 0.30 | | V | | |
| 1-014 | 999-61600-100 | BALL BEARING #6001, 28MM/OD | 2 | | | |
| 1-015 | 999-66122-266 | OIL SEAL 12227 | 2 | | | |
| 1-017 | 999-62071-127 | NEEDLE BEARING F-79 | 1 | | | |
| 1-021 | 810-06091-200 | RECOIL STARTER GASKET | 1 | N | B133614- | |
| 1-027 | 090-06000-201 | CRANK CASE GASKET | 1 | R | -C156400 | |
| 1-027 | 090-06000-202 | CRANK CASE GASKET | 1 | | C156401- | |
| 1-029 | 203-06000-200 | PRIMARY CORD GROMMET | 1 | N | C021635- | |
| 1-030 | 167-20757-800 | IGNITION COIL COMP. | 1 | R | -C156400 | |
| 1-030 | 167-20757-801 | IGNITION COIL COMP. | 1 | | C156401- | |
| 1-032 | 155-20702-800 | MAGNETO ROTOR COMP. | 1 | M | | |
| 1-032 | 155-21702-800 | MAGNETO ROTOR COMP. | 1 | | | |
| 1-033, 1 | 112-0608A-201 | FAN CASE | 1 | I | -C213509 | |
| 1-033, 1 | 112-0608A-202 | FAN CASE | 1 | | -D192800 | |
| 1-033 | 112-0608A-210 | FAN CASE | 1 | N | -D286226 | |
| 1-033 | 112-0608A-800 | FAN CASE SET | 1 | P | D286227- | |
| 1-034 | 203-0604A-202 | GROMMET | 1 | | | |
| 1-035 | 324-33900-200 | GEAR CASE WASHER | 1 | N | D286227- | |
| 1-049 | 173-01620-800 | IGNITOR LEAD WIRE COMP., R110M | 1 | N | D206801- | |
| 1-050, 1 | 159-21401-871 | IGNITOR COMP. TTI-1E | 1 | | -D206800 | |
| 1-050 | 159-21401-872 | IGNITOR COMP. TTI-1F | 1 | N | D206801- | |
| 1-051, 1 | 990-11040-161 | SCREW 4X16 | 2 | | -D206800 | |
| 1-051 | 990-11040-081 | SCREW 4X8 | 1 | N | D206801- | |
| 1-052, 1 | 992-10040-012 | S. WASHER 4 | 2 | | -D206800 | |
| 1-052 | 992-10040-012 | S. WASHER 4 | 1 | | D206801- | |
| 1-055 | 198-01046-200 | CORD CLAMP | 1 | | | |
| 1-062 | 075-06092-800 | CRANK CASE ASS'Y | 1 | M | | |
| 1-062 | 072-06092-900 | CRANK CASE ASS'Y | 1 | | | |
| 1-067 | 990-11050-301 | SCREW 5X30 | 4 | | | |
| 1-068 | 992-10050-012 | S. WASHER 5 | 4 | | | |
| 1-073 | 990-11040-181 | SCREW 4X18 | 2 | | | |
| 1-074 | 992-10040-012 | S. WASHER 4 | 2 | | | |
| 1-075 | 992-00040-011 | SMALL WASHER 4 | 2 | | | |
| 1-076 | 065-00000-200 | FLYWHEEL WASHER | 1 | | | |
| 1-077 | 327-00201-200 | NUT 7 (L. H. THREAD) | 1 | | | |
| 1-078 | 990-11050-161 | SCREW 5X16 | 4 | | | |
| 1-079 | 992-10050-012 | S. WASHER 5 | 4 | | | |
| 1-089 | 990-11050-181 | SCREW 5X18 | 4 | | | |
| 1-090 | 992-10050-012 | S. WASHER 5 | 4 | | | |

FIG.2 ENGINE COMPONENTS

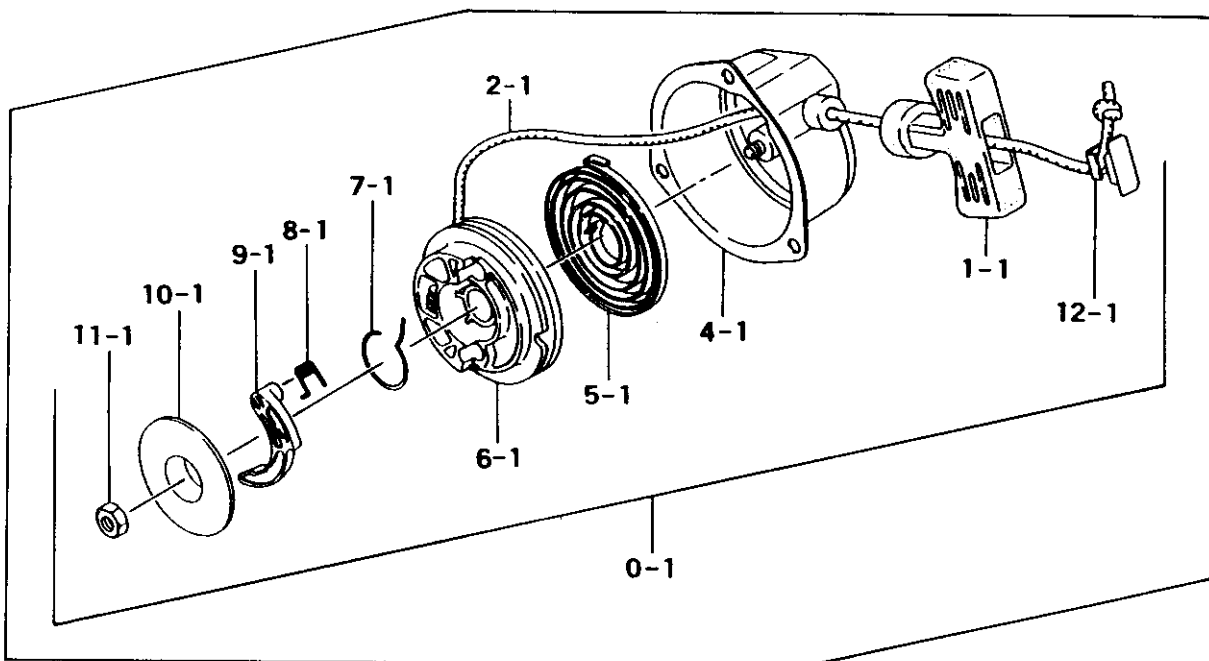
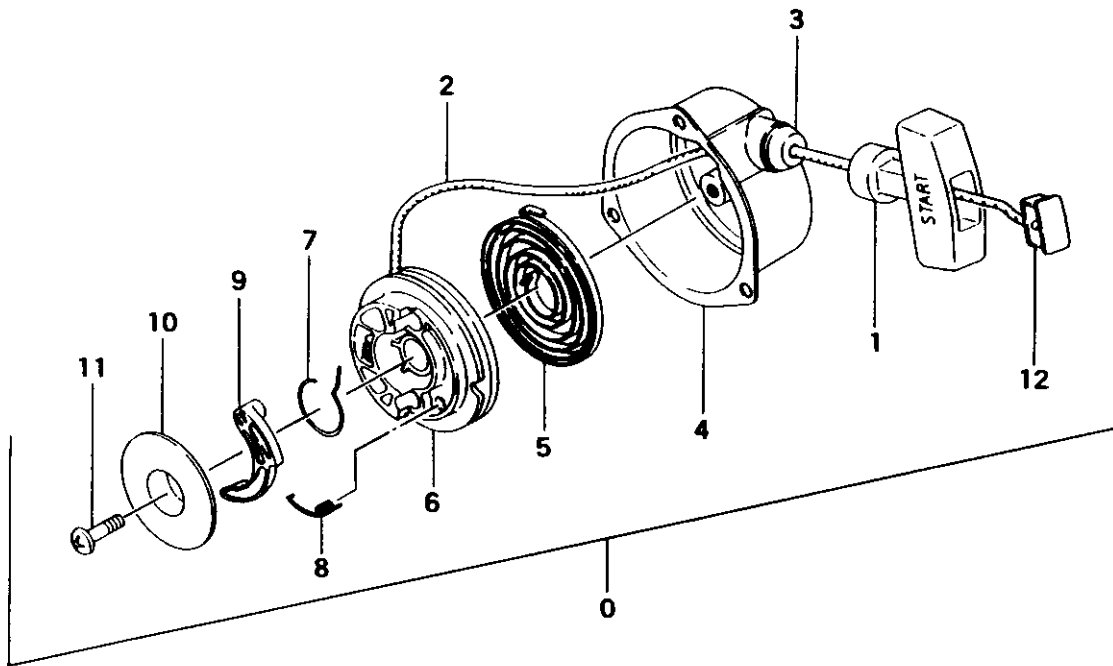


| REF. NBR | PART NBR | PART NAME | QTY | SERIAL NBR | REMARKS |
|----------|---------------|----------------------------|-----|------------|----------|
| 2-001 | 738-0608C-200 | MUFFLER PROTECTOR | 1 | | |
| 2-004 | 737-06100-210 | MUFFLER GASKET | 2 | | |
| 2-005 | 133-0604A-202 | HEAT SHIELD | 1 | R | -B200532 |
| 2-005 | 133-0604A-203 | HEAT SHIELD | 1 | | B200533- |
| 2-006 | 403-0608A-200 | INLET MANIFOLD GASKET | 1 | | |
| 2-007 | 404-06020-201 | INSULATOR | 1 | | -B200532 |
| 2-007 | 404-06020-202 | INSULATOR | 1 | M | B200533- |
| 2-008 | 423-06092-201 | CLEANER BODY | 1 | R | -B241927 |
| 2-008 | 423-06092-203 | CLEANER BODY | 1 | | B241928- |
| 2-009 | 446-0602V-200 | CLEANER ELEMENT | 1 | | |
| 2-010 | 424-06092-200 | CLEANER CAP | 1 | R | -B201503 |
| 2-010 | 424-06092-201 | CLEANER CAP | 1 | | B201504- |
| 2-011 | 885-0608A-901 | THROTTLE WIRE ASS'Y | 1 | | |
| 2-012 | 436-0608A-200 | CLEANER FIXING BASE | 1 | M | B200533- |
| 2-014 | 410-06092-900 | CLEANER ASS'Y | 1 | R | -B222232 |
| 2-014 | 410-06092-901 | CLEANER ASS'Y | 1 | I | -B242781 |
| 2-014 | 410-06092-902 | CLEANER ASS'Y | 1 | R | -C097928 |
| 2-014 | 410-06092-910 | CLEANER ASS'Y | 1 | I | -D192786 |
| 2-014 | 410-06092-911 | CLEANER ASS'Y | 1 | | D192787- |
| 2-015 | 357-00601-200 | STEP BOLT | 2 | | |
| 2-016 | 348-0602R-200 | CLUTCH PLATE A | 4 | M | |
| 2-016 | 348-0602R-200 | CLUTCH PLATE A | 2 | | |
| 2-017 | 342-0605A-200 | CLUTCH SPRING | 1 | R | -B200532 |
| 2-017 | 342-0605A-201 | CLUTCH SPRING | 1 | | B200533- |
| 2-018 | 290-00501-802 | CLUTCH SHOE COMP. | 2 | | |
| 2-019 | 359-02103-200 | CLUTCH WASHER B | 2 | | |
| 2-020 | 798-06000-200 | STARTER PULLEY | 1 | R | -C146312 |
| 2-020 | 798-06094-200 | STARTER PULLEY | 1 | | C146313- |
| 2-023 | 655-06100-200 | FUEL TANK CUSHION RUBBER | 2 | | |
| 2-024 | 653-06000-200 | FUEL TANK BRACKET | 1 | | |
| 2-027 | 655-01551-200 | FUEL TANK CUSHION RUBBER B | 2 | | |
| 2-028 | 102-01300-200 | INSULATOR | 1 | | |
| 2-030 | 991-16080-003 | NUT 8 (L.H. THREAD) | 1 | | |
| 2-036 | 680-04019-210 | CLIP 7 | 1 | | |
| 2-038 | 675-0608A-900 | PUMP FILTER BODY ASS'Y | 1 | | |
| 2-044 | 500-33202-205 | RUBBER PIPE CAP | 1 | | |
| 2-045 | 678-00601-201 | RUBBER PIPE | 1 | | |
| 2-055 | 591-0608A-201 | TANK | 1 | R | -B146312 |
| 2-055 | 591-0608A-202 | TANK | 1 | R | -C146312 |
| 2-055 | 591-0608A-203 | TANK | 1 | | C146313- |
| 2-059 | 700-03005-130 | FUEL PIPE 3X5X130 | 1 | | |
| 2-061 | 130-00610-202 | FAN CASE PLUG | 1 | N | C146313- |
| 2-062 | 170-0604A-800 | STOP CORD COMP. | 1 | D | C146313- |
| 2-072 | 359-10112-203 | CLUTCH WASHER B | 1 | | |
| 2-078 | 990-11040-121 | SCREW 4X12 | 1 | | |
| 2-079 | 992-10040-012 | S. WASHER 4 | 1 | | |
| 2-080 | 992-01040-011 | WASHER 4 | 1 | | |
| 2-081 | 990-11050-101 | SCREW 5X10 | 1 | | |
| 2-082 | 992-10050-012 | S. WASHER 5 | 1 | | |
| 2-083 | 992-01050-011 | WASHER 5 | 1 | | |
| 2-084 | 990-11050-451 | SCREW 5X45 | 2 | | |
| 2-085 | 992-10050-012 | S. WASHER 5 | 2 | | |
| 2-086 | 992-00050-011 | SMALL WASHER 5 | 2 | | |
| 2-087 | 990-11050-121 | SCREW 5X12 | 1 | | |
| 2-088 | 992-10050-012 | S. WASHER 5 | 1 | | |
| 2-089 | 992-01050-011 | WASHER 5 | 1 | | |
| 2-090 | 990-11050-141 | SCREW 5X14 | 1 | | |
| 2-091 | 992-10050-012 | S. WASHER 5 | 1 | | |
| 2-092 | 992-00050-011 | SMALL WASHER 5 | 1 | | |
| 2-093 | 990-11050-121 | SCREW 5X12 | 3 | | -C146312 |
| 2-093 | 990-11050-141 | SCREW 5X14 | 3 | N | C146313- |
| 2-094 | 992-10050-012 | S. WASHER 5 | 3 | | |
| 2-095 | 992-00050-011 | SMALL WASHER 5 | 3 | | |

- To be cont'd -

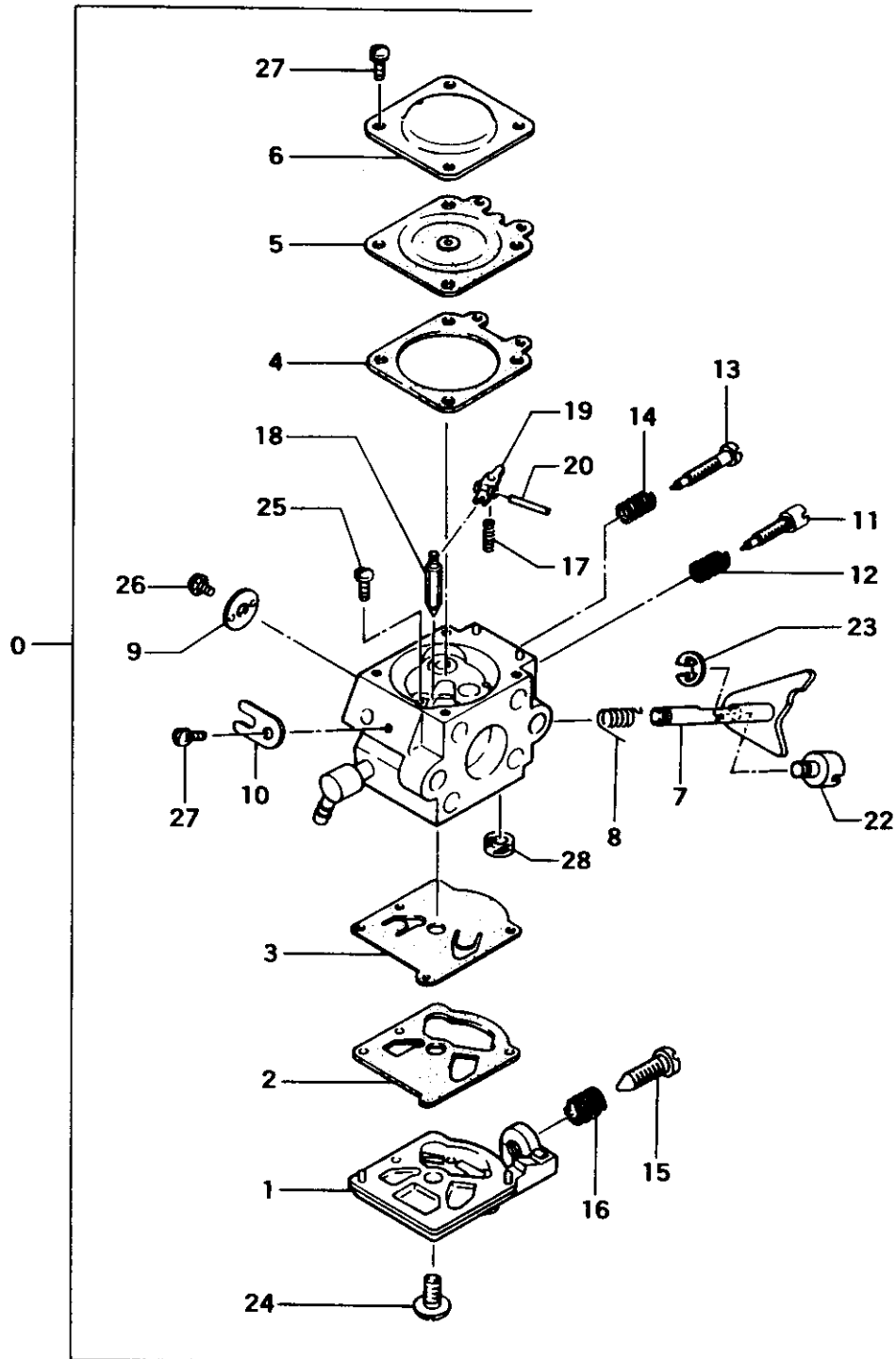
| REF. NBR | PART NBR | PART NAME | QTY | SERIAL NBR | REMARKS |
|----------|---------------|-------------------------------|-----|------------|---------|
| 2-096 | 990-11050-141 | SCREW 5X14 | 1 | | |
| 2-097 | 992-10050-012 | S.WASHER 5 | 1 | | |
| 2-098 | 992-01050-011 | WASHER 5 | 1 | | |
| 2-150 | 990-11050-651 | SCREW 5X65 | 2 | -B200532 | |
| 2-150 | 990-11050-751 | SCREW 5X75 | 2 | M B200533- | |
| 2-151 | 992-10050-012 | S.WASHER 5 | 2 | | |
| 2-152 | 992-01050-011 | WASHER 5 | 2 | | |
| 2-153 | 990-11050-101 | SCREW 5X10 | 2 | | |
| 2-154 | 992-10050-012 | S.WASHER 5 | 2 | | |
| 2-155 | 990-23050-206 | H.T. BOLT 5X20 | 1 | | |
| 2-156 | 992-10050-012 | S.WASHER 5 | 1 | | |
| 2-157 | 992-00050-011 | SMALL WASHER 5 | 1 | | |
| 2-159 | 990-11040-101 | SCREW 4X10 | 1 | | |
| 2-160 | 992-10040-012 | S.WASHER 4 | 1 | | |
| 2-161 | 992-01040-011 | WASHER 4 | 1 | | |
| 2-166 | 991-01060-013 | NUT 6 | 2 | | |
| 2-175 | 595-0062A-910 | TANK CAP ASS'Y, ORANGE | 1 | M | |
| 2-175 | 595-0062A-901 | TANK CAP ASS'Y | 1 | | |
| 2-186 | 941-0608A-200 | STAND | 1 | R -C146312 | |
| 2-186 | 941-06092-200 | STAND | 1 | C146313- | |
| 2-187 | 289-0604A-900 | CLUTCH SHAFT ASS'Y | 1 | R -B200532 | |
| 2-187 | 289-06091-900 | CLUTCH DRUM ASS'Y | 1 | B200533- | |
| 2-188 | 993-51032-002 | STOP RING C-32 IN | 1 | | |
| 2-189 | 999-61620-101 | BALL BEARING #6201ZZ, 32MM/OD | 1 | | |
| 2-190 | 993-50012-002 | STOP RING C-12 EX | 1 | | |
| 2-191 | 801-0604A-201 | STEP WASHER | 1 | | |
| 2-192 | 999-67007-000 | O-RING P-7 | 1 | -B222232 | |
| 2-192 | 992-04080-031 | WAVE WASHER 8 | 1 | N B222233- | |
| 2-193 | 992-04080-031 | WAVE WASHER 8 | 2 | -C146312 | |
| 2-193 | 992-05080-030 | BENT WASHER 8 | 2 | P C146313- | |
| 2-204 | 402-06020-200 | CARBURETOR GASKET | 1 | | |
| 2-208 | 894-01226-200 | THROTTLE WIRE ADJUSTER | 1 | | |
| 2-209 | 892-06092-200 | TOP SPRING | 1 | N E250776- | |
| 2-217 | 739-0602B-200 | MUFFLER COUPLING GASKET | 2 | | |
| 2-218 | 717-0608A-200 | MUFFLER BODY B | 1 | | |
| 2-222 | 528-0602W-200 | CHOKE VALVE | 1 | R -C054344 | |
| 2-222 | 528-0602W-201 | CHOKE VALVE | 1 | R -D048890 | |
| 2-222 | 528-0602W-202 | CHOKE VALVE | 1 | D048891- | |
| 2-223 | 470-0602N-200 | CLEANER COLLAR | 2 | | |
| 2-225 | 706-0608A-900 | MUFFLER ASS'Y | 1 | R -C146312 | |
| 2-225 | 706-0608A-910 | MUFFLER ASS'Y | 1 | C146313- | |
| 2-226 | 722-0608A-200 | MUFFLER PARTITION PLATE | 1 | R -C146312 | |
| 2-226 | 722-0608A-800 | MUFFLER PARTITION PLATE COMP. | 1 | C146313- | |
| 2-227 | 740-0602B-201 | MUFFLER COLLAR | 2 | | |
| 2-262 | 990-11050-141 | SCREW 5X14 | 1 | | |

FIG.3 RECOIL STARTER



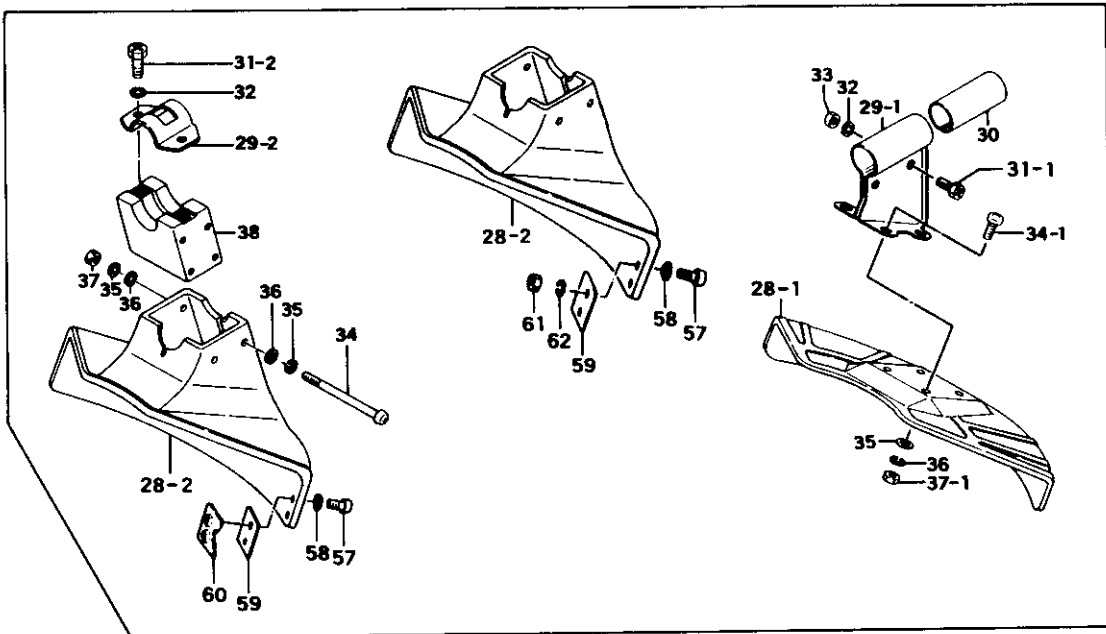
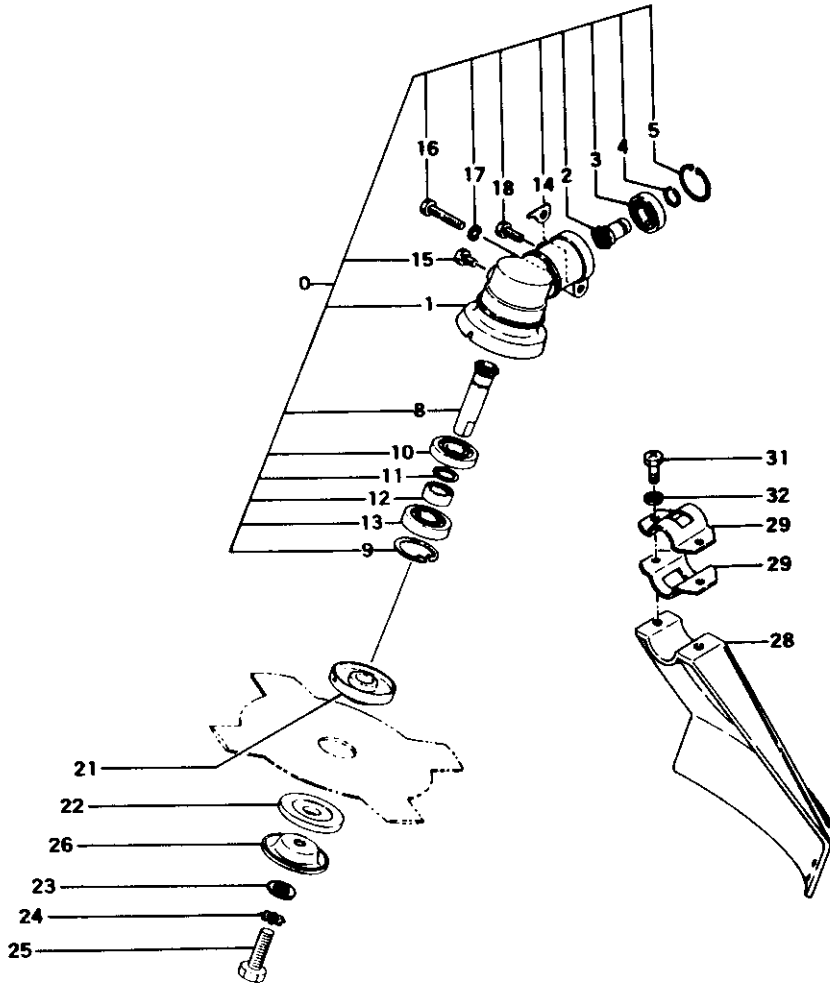
| REF. NBR | PART NBR | PART NAME | QTY | SERIAL NBR | REMARKS |
|----------|---------------|---------------------------|-----|------------|----------|
| 3-000.1 | 756-0601R-900 | RECOIL STARTER ASS'Y | 1 | M | |
| 3-000.1 | 756-0604A-900 | RECOIL STARTER ASS'Y | 1 | M | |
| 3-000.1 | 756-0604A-901 | RECOIL STARTER ASS'Y | 1 | M | |
| 3-000.1 | 762-0604A-901 | RECOIL STARTER BODY ASS'Y | 1 | R | -C146312 |
| 3-000 | 756-06092-900 | RECOIL STARTER ASS'Y | 1 | M | |
| 3-000 | 762-06092-900 | RECOIL STARTER BODY ASS'Y | 1 | R | -C213509 |
| 3-000 | 762-06092-901 | RECOIL STARTER BODY ASS'Y | 1 | | C213510- |
| 3-001.1 | 785-06000-200 | STARTER HANDLE | 1 | I | -C146312 |
| 3-001 | 785-06097-200 | STARTER HANDLE | 1 | | C146313- |
| 3-002.1 | 783-06000-200 | ROPE | 1 | | -C146312 |
| 3-002 | 783-06092-200 | ROPE 3.5X890L | 1 | M | C146313- |
| 3-003 | 782-06097-200 | ROPE GUIDE | 1 | M | C213510- |
| 3-004.1 | 772-0604A-800 | RECOIL STARTER BODY COMP. | 1 | | -C146312 |
| 3-004 | 772-06092-200 | RECOIL STARTER BODY | 1 | N | C146313- |
| 3-005.1 | 779-06000-200 | RECOIL SPRING | 1 | | -C146312 |
| 3-005 | 779-06092-200 | RECOIL SPRING | 1 | M | |
| 3-005 | 779-01250-200 | RECOIL SPRING | 1 | N | C146313- |
| 3-006.1 | 774-06000-210 | STARTER ROPE REEL | 1 | | -C146312 |
| 3-006 | 769-06092-200 | STARTER ROPE REEL | 1 | N | C146313- |
| 3-007.1 | 836-06000-200 | FRICTION SPRING | 1 | I | -C146312 |
| 3-007 | 836-06092-200 | FRICTION SPRING | 1 | | C146313- |
| 3-008.1 | 832-01500-200 | RETURN SPRING | 1 | M | |
| 3-008.1 | 832-06000-200 | RETURN SPRING | 1 | | -C146312 |
| 3-008 | 832-06092-200 | RETURN SPRING | 1 | N | C146313- |
| 3-009.1 | 788-06000-210 | STARTER PAWL | 1 | | -C146312 |
| 3-009 | 788-06092-200 | STARTER PAWL | 1 | N | C146313- |
| 3-010.1 | 837-06000-201 | FRICTION PLATE | 1 | | -C146312 |
| 3-010 | 837-06092-200 | FRICTION PLATE | 1 | N | C146313- |
| 3-011.1 | 991-01050-013 | NUT 5 | 1 | | -C146312 |
| 3-011 | 990-15050-121 | SCREW 5X12 | 1 | N | C146313- |
| 3-012.1 | 815-06000-200 | STARTER HANDLE METAL | 1 | M | |
| 3-012.1 | 835-05004-200 | HANDLE CAP | 1 | I | -C146312 |
| 3-012 | 795-0602K-200 | STARTER HANDLE CAP | 1 | | C146313- |

FIG.4 CARBURETOR



| REF. NBR | PART NBR | PART NAME | QTY | SERIAL NBR | REMARKS |
|----------|---------------|---------------------------|-----|------------|---------|
| 4-000 | 455-25013-900 | CARBURETOR ASS'Y, WA-134A | 1 | -B200532 | |
| 4-000 | 455-25013-901 | CARBURETOR ASS'Y, WA-134A | 1 | B200533- | |
| 4-001 | 575-25013-200 | PUMP BODY | 1 | | |
| 4-002 | 577-25006-200 | PUMP GASKET | 1 | | |
| 4-002 | 577-25013-200 | PUMP GASKET | 1 | | |
| 4-002 | 577-25007-200 | PUMP GASKET | 1 | | |
| 4-003 | 576-25006-200 | PUMP DIAPHRAGM | 1 | | |
| 4-004 | 475-25001-200 | DIAPHRAGM GASKET | 1 | | |
| 4-005 | 474-25001-200 | METERING DIAPHRAGM | 1 | | |
| 4-005 | 474-25001-800 | METERING DIAPHRAGM COMP. | 1 | | |
| 4-006 | 476-25006-200 | DIAPHRAGM COVER | 1 | | |
| 4-006 | 476-25004-200 | DIAPHRAGM COVER | 1 | | |
| 4-007 | 464-25006-800 | THROTTLE SHAFT COMP. | 1 | | |
| 4-008 | 486-25006-200 | THROTTLE SPRING | 1 | | |
| 4-008 | 486-25009-200 | THROTTLE SPRING | 1 | | |
| 4-009 | 488-25006-200 | THROTTLE VALVE | 1 | | |
| 4-010 | 557-25006-200 | THROTTLE SHAFT CLIP | 1 | | |
| 4-011 | 460-25013-200 | HIGH ADJUST SCREW | 1 | | |
| 4-012 | 485-25003-200 | HIGH ADJUST SPRING | 1 | | |
| 4-013 | 461-25006-200 | LOW ADJUST SCREW | 1 | | |
| 4-014 | 623-25001-200 | HIGH/LOW ADJUST SPRING | 1 | | |
| 4-015 | 462-25006-200 | IDLE ADJUST SCREW | 1 | | |
| 4-016 | 463-25006-200 | IDLE ADJUST SPRING | 1 | | |
| 4-017 | 477-25013-200 | VALVE SPRING | 1 | | |
| 4-018 | 603-25001-200 | NEEDLE VALVE | 1 | | |
| 4-019 | 473-25001-200 | VALVE HINGE | 1 | | |
| 4-020 | 605-25001-200 | HINGE PIN | 1 | | |
| 4-022 | 539-25006-200 | SWIVEL | 1 | | |
| 4-022 | 539-25008-200 | SWIVEL | 1 | | |
| 4-023 | 489-25006-200 | STOP RING | 1 | | |
| 4-023 | 489-25008-200 | STOP RING | 1 | | |
| 4-024 | 514-25001-200 | SET SCREW | 1 | | |
| 4-025 | 546-25001-200 | HINGE PIN SET SCREW | 1 | | |
| 4-026 | 467-25003-200 | SHUTTER SCREW | 1 | | |
| 4-027 | 548-25014-200 | SET SCREW | 5 | | |
| 4-027 | 548-25005-200 | SET SCREW | 5 | | |
| 4-027 | 548-25012-200 | SET SCREW | 5 | | |
| 4-028 | 578-25006-200 | INLET SCREEN | 1 | | |
| 4-028 | 578-25007-200 | INLET SCREEN | 1 | | |

FIG.5 GEAR CASE

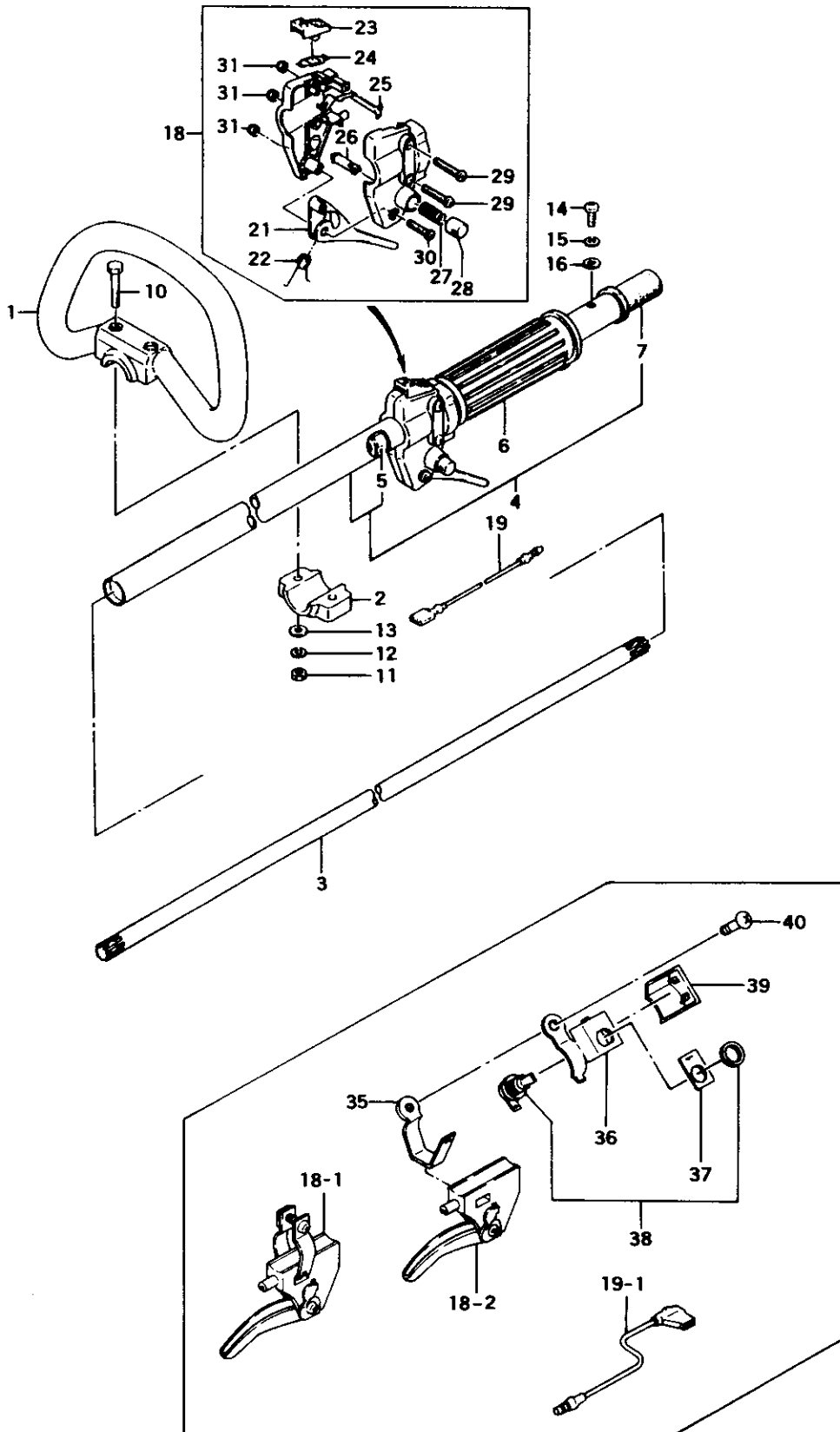


| REF. NBR | PART NBR | PART NAME | QTY | SERIAL NBR. | REMARKS |
|----------|---------------|-----------------------------|-----|-------------|---------|
| 5-000 | 300-33900-910 | GEAR CASE ASS'Y | 1 | R -B222232 | |
| 5-000 | 300-33904-900 | GEAR CASE ASS'Y | 1 | B222233- | |
| 5-001 | 300-33900-220 | GEAR CASE | 1 | R -B133613 | |
| 5-001 | 300-33900-221 | GEAR CASE A | 1 | R -B222232 | |
| 5-001 | 300-33904-200 | GEAR CASE | 1 | I -B242787 | |
| 5-001 | 300-33904-201 | GEAR CASE | 1 | M | |
| 5-001 | 300-33904-202 | GEAR CASE | 1 | B242788- | |
| 5-002 | 302-33900-200 | PINION | 1 | | |
| 5-003 | 999-61609-001 | BALL BEARING 609ZZ, 24MM/OD | 1 | | |
| 5-004 | 993-52009-002 | STOP RING S-9 EX | 1 | | |
| 5-005 | 993-51024-002 | STOP RING C-24 IN | 1 | | |
| 5-008 | 301-33900-200 | GEAR | 1 | | |
| 5-009 | 993-51028-002 | STOP RING C-28 IN | 2 | -B242787 | |
| 5-009 | 993-51028-002 | STOP RING C-28 IN | 1 | B242788- | |
| 5-010 | 999-61600-100 | BALL BEARING #6001, 28MM/OD | 1 | | |
| 5-011 | 993-57012-002 | STOP RING 12 | 1 | | |
| 5-012 | 342-33900-200 | COLLAR | 1 | | |
| 5-013 | 999-61600-103 | BALL BEARING 6001D, 28MM/OD | 1 | | |
| 5-014 | 324-33900-200 | GEAR CASE WASHER | 1 | | |
| 5-015 | 990-23060-101 | BOLT 6X10 | 1 | -B222232 | |
| 5-015 | 990-23060-081 | BOLT W/PLUS 6X8 | 1 | N B222233- | |
| 5-016 | 990-23050-251 | BOLT W/PLUS 5X25 | 1 | | |
| 5-017 | 992-10050-012 | S. WASHER 5 | 1 | | |
| 5-018 | 990-23050-101 | BOLT W/PLUS 5X10 | 1 | | |
| 5-021 | 310-33900-200 | CUTTER HOLDER | 1 | | |
| 5-022 | 311-33900-200 | CUTTER HOLDER CAP | 1 | | |
| 5-023 | 992-01080-011 | WASHER 8 | 1 | | |
| 5-024 | 992-29080-000 | TOOTHED LOCK WASHER 8 L/H | 1 | | |
| 5-025 | 312-33700-200 | BOLT 8/L.H THREAD | 1 | | |
| 5-026 | 316-33410-200 | BOLT PROTECTION COVER | 1 | | |
| 5-028,1 | 441-33700-210 | SAFETY GUARD | 1 | R -B222232 | |
| 5-028,1 | 441-33700-220 | SAFETY GUARD | 1 | -C156400 | |
| 5-028,2 | 441-33671-200 | SAFETY GUARD | 1 | N -C213509 | |
| 5-028,2 | 441-33671-200 | SAFETY GUARD | 1 | R -C213509 | |
| 5-028,2 | 441-33671-210 | SAFETY GUARD | 1 | R -D082525 | |
| 5-028,2 | 441-33671-220 | SAFETY GUARD | 1 | -D206800 | |
| 5-028 | 441-33905-800 | SAFETY GUARD COMP., PLASTIC | 1 | N D206801- | |
| 5-029,1 | 442-33410-200 | SAFETY GUARD BRACKET | 1 | -C156400 | |
| 5-029,2 | 442-33905-200 | SAFETY GUARD BRACKET | 1 | N -D206800 | |
| 5-029 | 442-33905-200 | SAFETY GUARD BRACKET | 2 | R -D227561 | |
| 5-029 | 442-33905-201 | SAFETY GUARD BRACKET | 2 | D227562- | |
| 5-030 | 444-33900-200 | BRACKET SPACER | 1 | D C156401- | |
| 5-031,1 | 990-23060-121 | BOLT 6X12 W/PLUS | 2 | -C156400 | |
| 5-031,2 | 990-23060-151 | BOLT 6X15 W/PLUS | 2 | N -D206800 | |
| 5-031 | 990-23060-181 | BOLT 6X18 W/PLUS | 2 | N D206801- | |
| 5-032 | 992-10060-012 | S. WASHER 6 | 2 | | |
| 5-033 | 991-01060-011 | NUT 6 | 2 | D C156401- | |
| 5-034,1 | 990-11050-121 | SCREW 5X12 | 4 | -B222232 | |
| 5-034,1 | 990-11050-161 | SCREW 5X16 | 4 | N -C156400 | |
| 5-034 | 990-11050-751 | SCREW 5X75 | 2 | N C156401- | |
| 5-034 | 990-11050-751 | SCREW 5X75 | 2 | D D206801- | |
| 5-035 | 992-01050-011 | WASHER 5 | 4 | D D206801- | |
| 5-036 | 992-10050-012 | S. WASHER 5 | 4 | D D206801- | |
| 5-037,1 | 991-01050-011 | HEX. NUT 5 | 4 | -C156400 | |
| 5-037 | 991-01050-011 | HEX. NUT 5 | 2 | C156401- | |
| 5-037 | 991-01050-011 | HEX. NUT 5 | 2 | D D206801- | |
| 5-038 | 455-33905-200 | SAFETY GUARD HOLDER | 1 | M | |
| 5-038 | 445-33905-200 | SAFETY GUARD HOLDER | 1 | N C156401- | |
| 5-038 | 445-33905-200 | SAFETY GUARD HOLDER | 1 | R -C185791 | |
| 5-038 | 445-33905-210 | SAFETY GUARD HOLDER | 1 | C185792- | |
| 5-038 | 445-33905-210 | SAFETY GUARD HOLDER | 1 | D D206801- | |
| 5-057 | 990-11040-161 | SCREW 4X16 | 2 | N C156401- | |
| 5-057 | 990-11040-161 | SCREW 4X16 | 2 | R -C213509 | |

- To be cont'd -

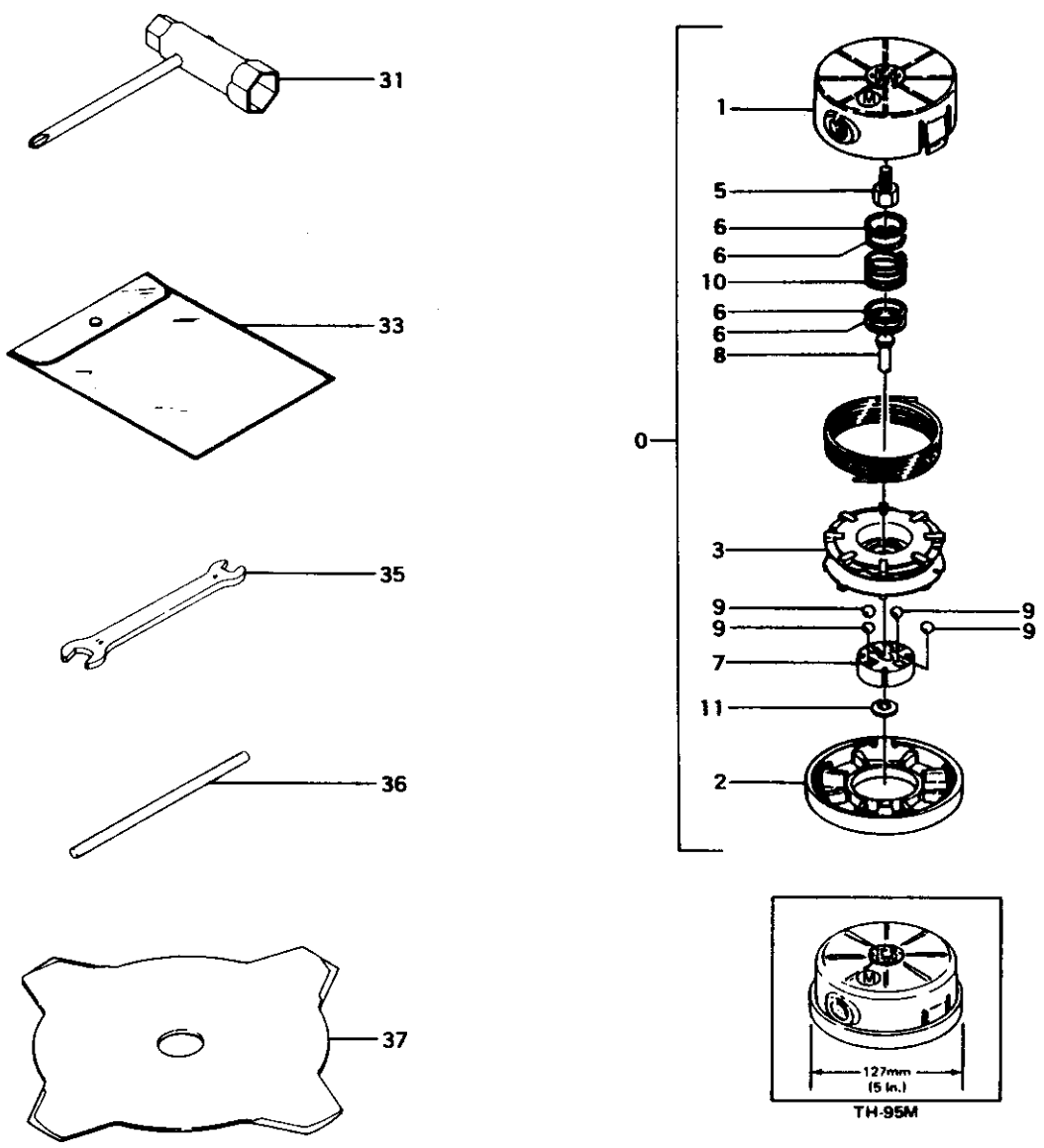
| REF. NBR | PART NBR | PART NAME | QTY | SERIAL NBR | REMARKS |
|----------|---------------|-------------------|-----|------------|---------|
| 5-057 | 990-11040-121 | SCREW 4X12 | 2 | C213510- | |
| 5-057 | 990-11040-121 | SCREW 4X12 | 2 | D206801- | |
| 5-058 | 992-01040-011 | WASHER 4 | 2 | N C156401- | |
| 5-058 | 992-01040-011 | WASHER 4 | 2 | D D206801- | |
| 5-059 | 800-33005-200 | CORD CUTTER BLADE | 1 | N C156401- | |
| 5-059 | 800-33005-200 | CORD CUTTER BLADE | 1 | I -C213509 | |
| 5-059 | 800-33005-201 | CORD CUTTER BLADE | 1 | D C213510- | |
| 5-059 | 800-33005-201 | CORD CUTTER BLADE | 1 | D D206801- | |
| 5-060 | 799-33005-200 | BLADE GUIDE | 1 | N C213510- | |
| 5-060 | 799-33005-200 | BLADE GUIDE | 1 | D D206801- | |
| 5-061 | 991-01040-011 | HEX. NUT 4 | 2 | N C156401- | |
| 5-061 | 991-01040-011 | HEX. NUT 4 | 2 | D C213510- | |
| 5-062 | 992-10040-012 | S.WASHER 4 | 2 | N C156401- | |
| 5-062 | 992-10040-012 | S.WASHER 4 | 2 | D C213510- | |

FIG.6 DRIVE SHAFT & HANDLE



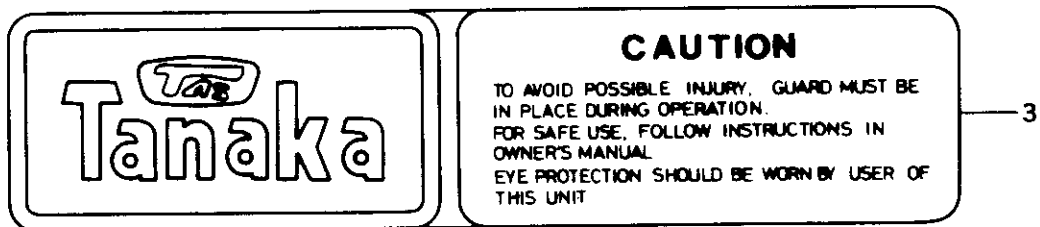
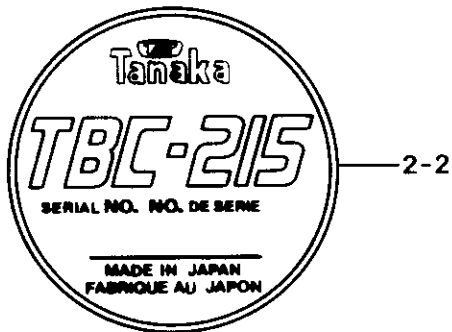
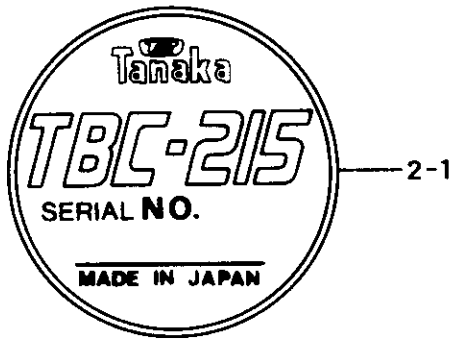
| REF. NBR | PART NBR | PART NAME | QTY | | SERIAL NBR | REMARKS |
|----------|---------------|------------------------|-----|---|------------|---------|
| 6-001 | 500-33900-200 | HANDLE | 1 | R | -B133613 | |
| 6-001 | 500-33900-210 | HANDLE | 1 | | B133614- | |
| 6-002 | 506-33900-200 | HANDLE BRACKET A | 1 | | | |
| 6-003 | 343-33900-201 | DRIVE SHAFT | 1 | | | |
| 6-004 | 341-33901-800 | DRIVE SHAFT PIPE COMP. | 1 | | | |
| 6-005 | 347-33900-900 | BUSH ASS'Y | 5 | | | |
| 6-006 | 504-33900-200 | SHAFT GRIP | 1 | | | |
| 6-007 | 290-33900-801 | PIPE BUSH COMP. | 1 | R | -C213509 | |
| 6-007 | 290-33900-802 | PIPE BUSH COMP. | 1 | | C213510- | |
| 6-010 | 990-21060-451 | BOLT 6X45 | 2 | | | |
| 6-011 | 991-01060-011 | NUT 6 | 2 | | | |
| 6-012 | 992-10060-012 | S. WASHER 6 | 2 | | | |
| 6-013 | 992-01060-011 | WASHER 6 | 2 | | | |
| 6-014 | 990-11060-101 | SCREW 6X10 | 1 | | | |
| 6-015 | 992-10060-012 | S. WASHER 6 | 1 | | | |
| 6-016 | 992-00060-011 | SMALL WASHER 6 | 1 | | | |
| 6-018.1 | 870-0608A-901 | THROTTLE LEVER ASS'Y | 1 | R | -B133613 | |
| 6-018.1 | 870-0608A-902 | THROTTLE LEVER ASS'Y | 1 | | -C146312 | |
| 6-018.1 | 870-0608A-903 | THROTTLE LEVER ASS'Y | 1 | M | | |
| 6-018.2 | 870-0062M-900 | THROTTLE LEVER ASS'Y | 1 | N | -D206800 | |
| 6-018 | 870-33905-900 | THROTTLE LEVER ASS'Y | 1 | N | -E250775 | |
| 6-018 | 870-33905-901 | THROTTLE LEVER ASS'Y | 1 | P | E250776- | |
| 6-019.1 | 178-06092-800 | STOP CORD COMP. | 1 | N | C146313- | |
| 6-019.1 | 178-06092-800 | STOP CORD COMP. | 1 | | -D206800 | |
| 6-019 | 178-33905-800 | STOP CORD COMP. | 1 | N | D206801- | |
| 6-021 | 880-33564-200 | THROTTLE ARM | 1 | N | D206801- | |
| 6-022 | 832-33564-200 | RETURN SPRING | 1 | N | D206801- | |
| 6-023 | 162-33564-200 | STOP SWITCH | 1 | N | D206801- | |
| 6-023 | 162-33564-200 | STOP SWITCH | 1 | | -E250775 | |
| 6-023 | 162-33564-210 | STOP SWITCH | 1 | N | E250776- | |
| 6-024 | 262-33564-200 | STOP SWITCH SPRING | 1 | N | D206801- | |
| 6-025 | 176-33564-200 | EARTH TERMINAL | 1 | N | D206801- | |
| 6-026 | 956-33564-200 | LOCK BUTTON A | 1 | N | D206801- | |
| 6-027 | 958-33564-200 | LOCK BUTTON SPRING | 1 | N | D206801- | |
| 6-028 | 957-33564-200 | LOCK BUTTON B | 1 | N | D206801- | |
| 6-029 | 990-11050-301 | SCREW 5X30 | 2 | N | D206801- | |
| 6-029 | 990-11050-301 | SCREW 5X30 | 2 | | -E250775 | |
| 6-029 | 994-31050-301 | SCREW 5X30 | 2 | P | E250776- | |
| 6-030 | 994-31050-251 | SCREW 5X25 | 1 | N | D206801- | |
| 6-031 | 991-86050-000 | SELF-LOCK NUT 5 | 3 | N | D206801- | |
| 6-035 | 883-33905-800 | BAND | 1 | N | C146313- | |
| 6-035 | 883-33905-800 | BAND | 1 | D | D206801- | |
| 6-036 | 640-33905-200 | STOP BUTTON BRACKET | 1 | N | C146313- | |
| 6-036 | 640-33905-200 | STOP BUTTON BRACKET | 1 | D | D206801- | |
| 6-037 | 183-01300-200 | SWITCH NAME PLATE | 1 | N | C146313- | |
| 6-037 | 183-01300-200 | SWITCH NAME PLATE | 1 | D | D206801- | |
| 6-038 | 162-01300-900 | STOP SWITCH ASS'Y | 1 | N | C146313- | |
| 6-038 | 162-01300-900 | STOP SWITCH ASS'Y | 1 | D | D206801- | |
| 6-039 | 168-33905-200 | STOP BUTTON COVER | 1 | N | C146313- | |
| 6-039 | 168-33905-200 | STOP BUTTON COVER | 1 | R | -C156400 | |
| 6-039 | 168-33905-201 | STOP BUTTON COVER | 1 | | C156401- | |
| 6-039 | 168-33905-201 | STOP BUTTON COVER | 1 | D | D206801- | |
| 6-040 | 990-11050-141 | SCREW 5X14 | 1 | N | C146313- | |
| 6-040 | 990-11050-141 | SCREW 5X14 | 1 | D | D206801- | |

FIG.7 TOOLS & NYLON HEAD



| REF. NBR | PART NBR | PART NAME | QTY | SERIAL NBR | REMARKS |
|----------|---------------|--------------------------------|-----|------------|---------|
| 7-000 | 783-33910-901 | NYLON HEAD ASS'Y (TH-95M) | 1 | | |
| 7-001 | 786-33004-801 | CUTTING BODY COMP. | 1 | | |
| 7-002 | 789-33004-201 | BODY CAP | 1 | | |
| 7-003 | 787-33004-202 | CORD REEL | 1 | | |
| 7-005 | 314-33670-200 | 8X1.25 L/H BOLT (GOLD) | 1 | | |
| 7-006 | 792-33004-200 | REEL WASHER | 4 | | |
| 7-007 | 790-33004-200 | REEL SLIDER | 1 | | |
| 7-008 | 791-33004-200 | REEL SLIDER HOOK | 1 | | |
| 7-009 | 673-35600-200 | STEEL BALL 5/16" | 4 | | |
| 7-010 | 793-33910-200 | REEL SPRING (SILVER) | 1 | | |
| 7-011 | 358-02103-200 | WASHER | 1 | | |
| 7-031 | 829-20000-800 | COMBI. BOX SPANNER 13X19 .PLUS | 1 | | |
| 7-033 | 948-32352-200 | TOOL BAG | 1 | | |
| 7-035 | 801-20000-200 | SPANNER 8X10 | 1 | | |
| 7-036 | 752-33900-200 | LOCKING BAR | 1 | | |
| 7-037 | 802-33701-200 | BLADE 4 TEETH 200 | 1 | -C146312 | |
| 7-037 | 802-33410-200 | 4 TOOTHED BLADE, 230 | 1 | N C146313- | |

FIG.8 MARKS



| REF. NBR | PART NBR | PART NAME | QTY | SERIAL NBR | REMARKS |
|----------|---------------|-------------------------------|-----|------------|---------|
| 8-001 | 929-0608A-200 | SYMBOL MARK | 1 | | |
| 8-002,1 | 906-06092-200 | NAME PLATE | 1 | R -B242787 | |
| 8-002,2 | 906-06092-210 | NAME PLATE (ENGLISH & FRENCH) | 1 | R -C146312 | |
| 8-002 | 906-06092-220 | NAME PLATE | 1 | C146313- | |
| 8-003,1 | 929-33800-201 | SYMBOL MARK | 1 | R -C146312 | |
| 8-003 | 929-33576-200 | SYMBOL MARK | 1 | C146313- | |