

# **Tanaka** Illustrated Parts Manual

Model Number:

**TBC-2211**

**GRASS TRIMMER**

P/N 27956

Rev 002

Date 8-31-06



*Supplier To The Outdoor Power Equipment Industry*

Tanaka America • 1028 4<sup>th</sup> Street SW • Auburn, WA 98001 • Phone: (253) 333-1200 • Fax: (253) 333-1212

## TBC-2211

Grass Trimmer / Brush Cutter



New Low Profile Guard

### Features / Benefits

- **21cc, 1.1 hp engine** consists of high quality components including a stress relieved, chrome plated cylinder, and primer pump.
- **Bearing supported, solid steel drive shaft** provides smooth and efficient power transfer from the engine to the cutting head.
- **“D” style handle** provides added comfort at any trimming angle.
- **Anti-vibration system** includes a comfortable front handle and heavy-duty rubber mount between the engine and shaft.
- **1 / 2 / 5 Warranty Coverage** provides **One-Year** coverage for professionals, **Two-Year** Coverage for Homeowners, and **Five Years** on the Electronic Ignition Module.

### Specifications

Engine Displacement cc (cu. in.)	21 (1.3)
Power (h.p.)	1.1
Cylinder	Chrome Plated, Stress Relieved
Carburetion	Walbro Diaphragm with Primer
Ignition System	Transistorized Electronic
Fuel Tank Capacity / fl. oz. (cc)	11.2 (330)
Anti-Vibration	Engine Mount & Shaft
Clutch System	Heavy-Duty Centrifugal
Shaft Support	5 Shaft Bearings
Drive System	7mm Solid Steel
Standard Cutting Head	5" Semi-Automatic Feed (.095" Line)
Dry Weight / lbs. (kg) w/head	11 (5)

### Optional Accessories:

ORDER #	DESCRIPTION
746751	BRAIN™ automatic feed head
746280	Aluminum fixed line head
746551	4" manual feed head
Varies	Assorted brush & weed blades
746291	Deluxe shoulder harness
TMC-200	Cultivator Attachment
TPS-200	Pole Saw Attachment
TPH-200	Pole Hedge Trimmer Attachment
Varies	Copolymer Nylon Cutting Line
Varies	Perfect Mix 2-Cycle Engine Oil

All data and specifications are subject to change without notice  
For more information, contact:

## Grass Trimmer Attachments

### TPS-200

Pruning Saw Attachment

The versatile TPS-200 Pruning Saw attachment easily converts Tanaka straight shaft grass trimmers / brushcutters into a powerful pruning saw.

#### TPS-200 Features:

- 24" Shaft Provides a 98" Overall Length when mounted
- 10" Oregon® Bar & Chain
- Easy-Mount Coupler

*To be used with the following Tanaka models:*

- AST-7000 / 7000S / 210
- TBC-4500 / 4501 / 2211
- TBC-220 / 240
- TBC-250 / 2501 / 2510 / 265
- TBC-270PF/PN



TPS-EXT Pruning Saw **Extension** (Part # 748511) Add an **extra two feet of reach** with this pruning saw extension that will fit on both the TPS-2510 and TPS-270PN Pruning Saws. In addition, it can be added to Tanaka straight shaft grass trimmers that utilize the TPS-200 Pole Saw Attachment.

### TPH-200

Pole Hedge Trimmer Attachment

For added reach and maneuverability, the TPH-200 Pole Hedge Trimmer attachment can be added to several Tanaka straight shaft grass trimmers / brushcutters.

#### TPH-200 Features:

- 22" Double Sided Cutting Blades
- Articulating / Pivoting Cutting Angle up to 130 degrees.



*To be used with the following Tanaka models:*

- AST-7000 / 7000S / 210
- TBC-4500 / 4501 / 2211
- TBC-220 / 240
- TBC-250 / 2501 / 2510 / 265
- TBC-270PF/PN

### TMC-200

Mini-Cultivator

This simple, easy to install attachment is ideal for quick garden / flower bed weeding and cultivation. For maximum depth, the TMC-200 can dig up to 4 inches into the ground and 6" wide.

With a 49:1 reduction ratio, this heavy duty gear box gives you more tilling power.

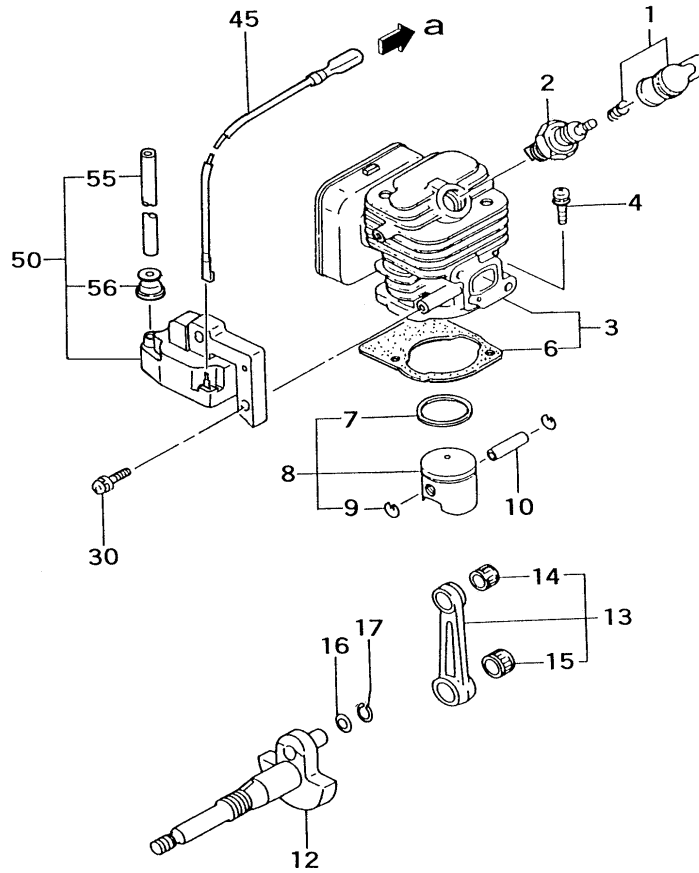


*To be used with the following Tanaka models:*

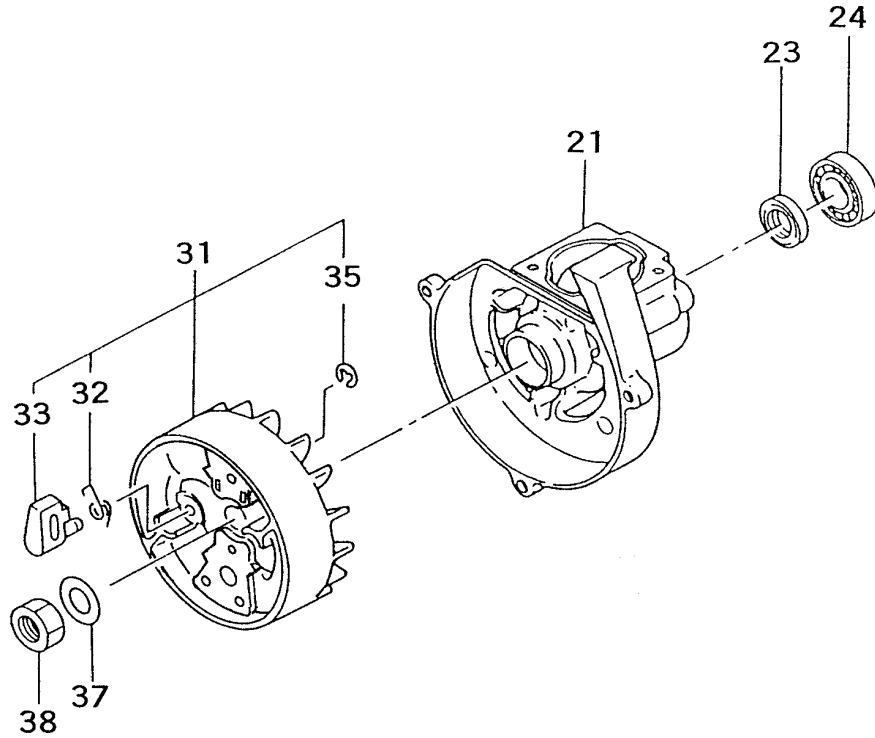
- AST-7000 / 7000S / 210
- TBC-4500 / 4501 / 2211
- TBC-220 / 240
- TBC-250 / 2501 / 2510 / 265
- TBC-270PF/PN
- TBC-300 / 3010
- TBC-420PF

All data and specifications are subject to change without notice  
For more information, contact:

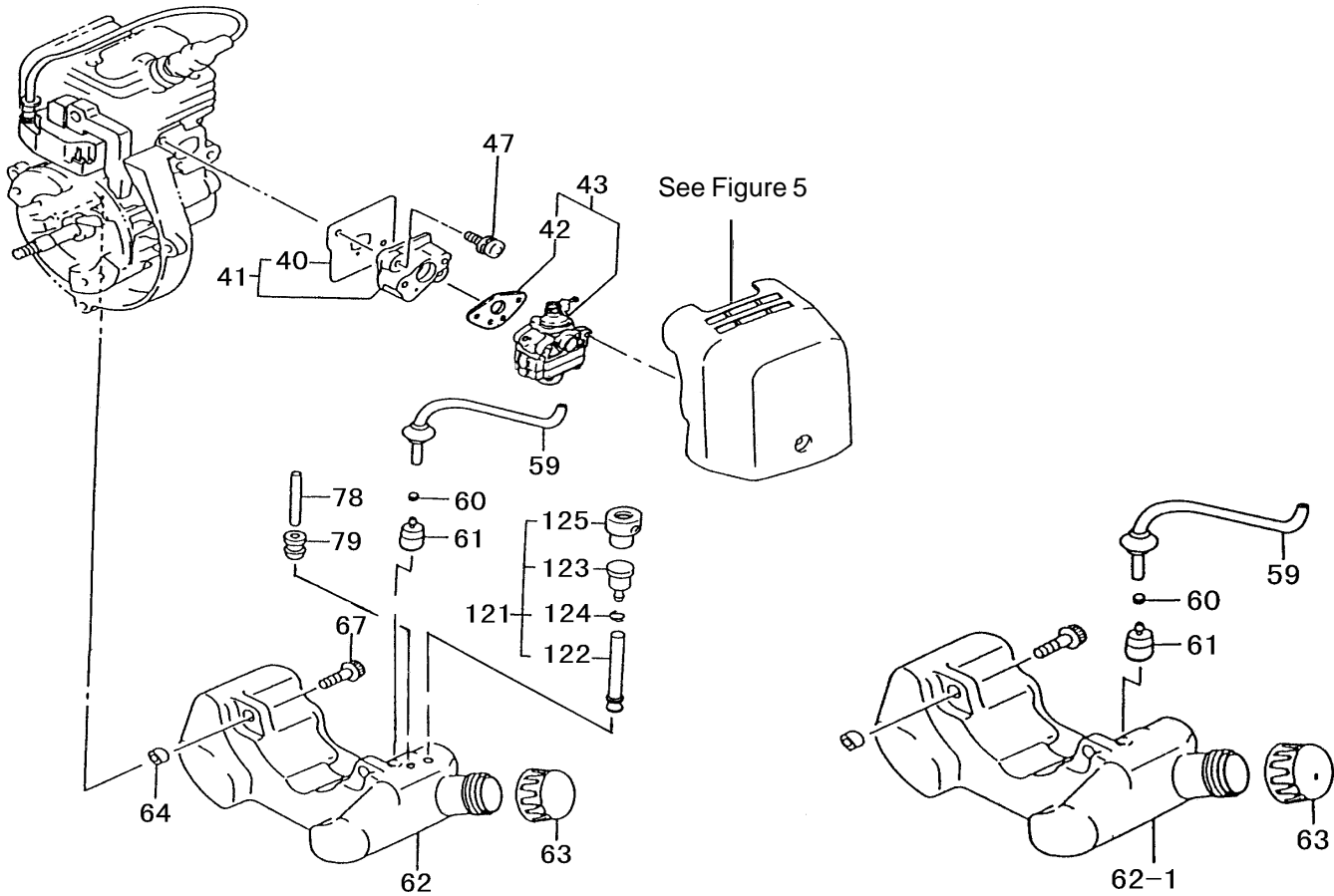
### ENGINE / CYLINDER, PISTON, CRANKSHAFT • FIGURE 1



ITEM	PART NUMBER	DESCRIPTION	QTY	COMMENTS
1-1	15701570900	CAP,SPARK PLUG,ASS'Y	1	
1-2	01804075200	PLUG,SPARK	1	
1-3	0010007090	SET,CYLINDER	1	
1-4	99416050221	SCREW,5X22/WS	2	
1-6	01700025200	GASKET,CYLINDER	1	
1-7	04100601210	RING,PISTON	1	
1-8	0300007090	SET,PISTON	1	
1-9	03901620200	CIRCLIP,PISTON PIN	2	
1-10	03706500200	PIN,PISTON	1	
1-12	0460007081	CRANKSHAFT	1	Units after U115041 do not use #16 & #17
1-13	0610007090	ROD,CONNECTING ASS'Y	1	~U115041
1-13	0610007080	ROD,CONNECTING	1	U115041~
1-14	99962081225	BEARING,NEEDLE,F-810	1	
1-15	03800000200	BUSHING,PISTON PIN	1	~U115041
1-15	99962101042	BEARING,NEEDLE,HK1010	1	U115041~
1-16	80110205202	WASHER,PULLEY	1	~U115041
1-17	99350010002	RING,STOP,C-10 EX	1	~U115041
1-30	99416040186	SCREW,WS,4X18	2	
1-45	1790007080	STOP CORD,220MM	2	
1-50	1672054090	COIL,IGNITION ASS'Y	1	
1-55	1782054020	CORD,HIGH TENSION	1	
1-56	56020517200	CAP,RUBBER	1	

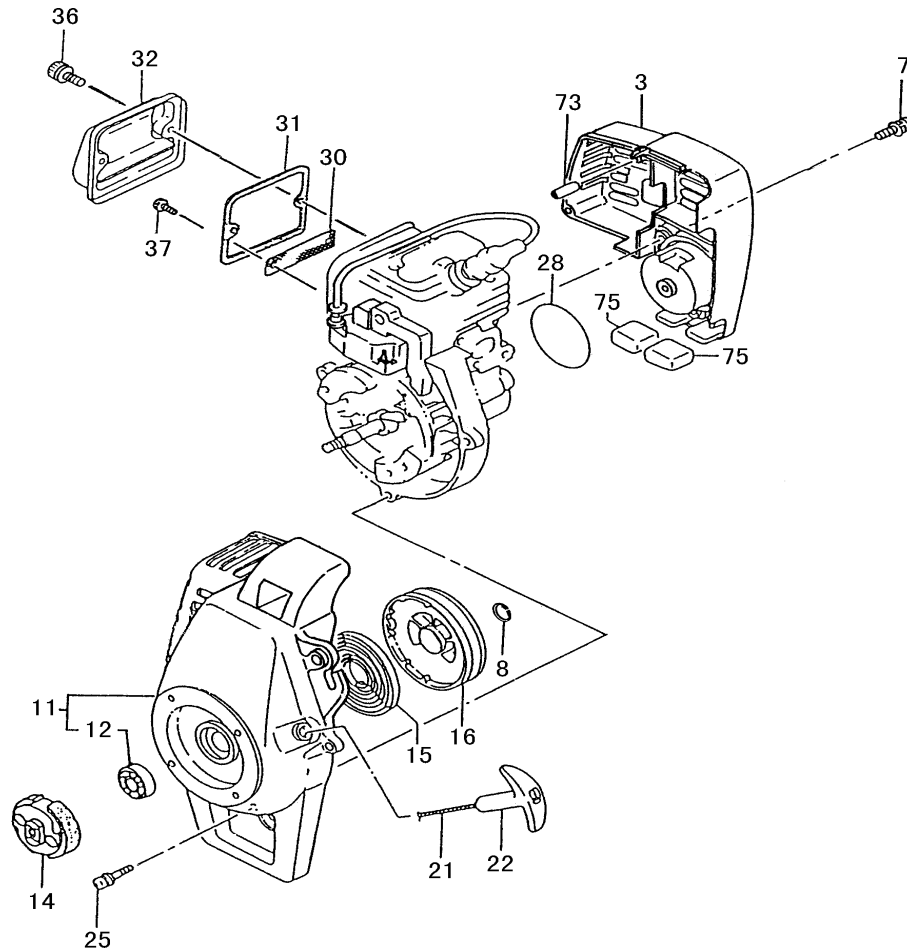


ITEM	PART NUMBER	DESCRIPTION	QTY	COMMENTS
2-21	0770002521	CRANKCASE	1	
2-23	99966152511	SEAL,OIL,#VE15X25X7	1	
2-24	99961600200	BEARING,BALL,#6002	1	
2-31	1552054090	ROTOR,MAGNETO ASS'Y	1	
2-32	7900174020	SPRING,STARTER PAWL	1	
2-33	7880174020	PAWL,STARTER	1	
2-35	99355040001	RING,STOP	1	
2-37	99200120011	WASHER,12	1	
2-38	99111120011	NUT,12	1	

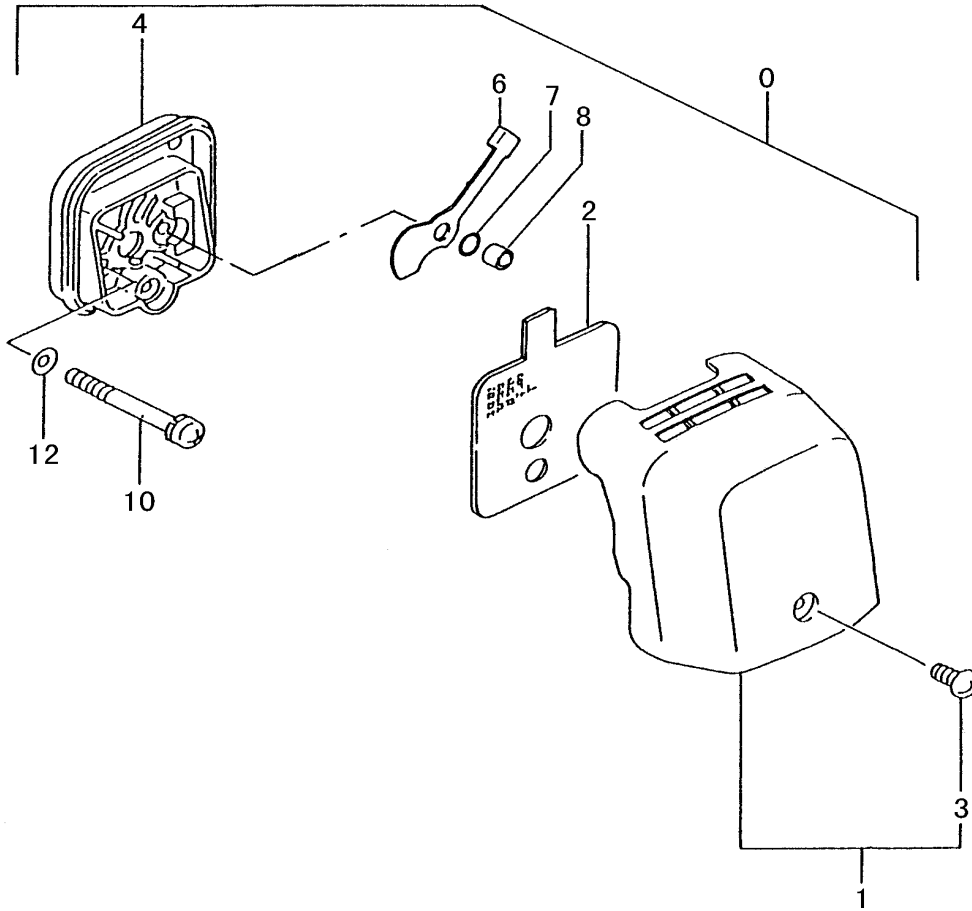


ITEM	PART NUMBER	DESCRIPTION	QTY	COMMENTS
3-40	4030631A20	GASKET,INLET MANIFOLD	1	
3-41	4040099F90	SET,CARB INSULATOR	1	
3-42	4020602K21	GASKET,CARBURETOR	1	
3-43	4550007090	CARBURETOR,ASS'Y	1	~U219338
3-43	4550007190	CARBURETOR,ASS'Y	1	U219339~
3-47	99416050221	SCREW,5X22/WS	2	
3-59	2230650090	PIPE,FUEL,ASS'Y	1	
3-60	68000731201	CLIP 6.3	1	
3-61	6750404280	FILTER,FUEL	1	
3-62-1	5910002500	TANK,SET	1	~T213380
3-62	5910008320	TANK,FUEL	1	~T213381~
3-62	5910007920	TANK,FUEL	1	U219339~
3-63-1	5950650A90	CAP,TANK	1	~T213380
3-63	5950656B90	CAP,FUEL BLACK,NON VENT	1	T213381~
3-64	65900801200	COLLAR	2	
3-67	99463050185	BOLT,HEX 5X18PS	2	
3-78	70003005065	PIPE,FUEL,3X5X65	1	U219339~
3-79	53432710200	GROMMET,FUEL PIPE	1	U219339~
3-121	5640661190	VENT,AIR ASS'Y	1	T213531~
3-122	5650503220	PIPE,AIR VENT	1	T213381~
3-123	6460661290	VALVE	1	T213381~
3-124	68000731201	CLIP 6.3	1	T213381~
3-125	5610007020	COVER,AIR VENT	1	T213381~

### CLUTCH, RECOIL STARTER, MUFFLER • FIGURE 4

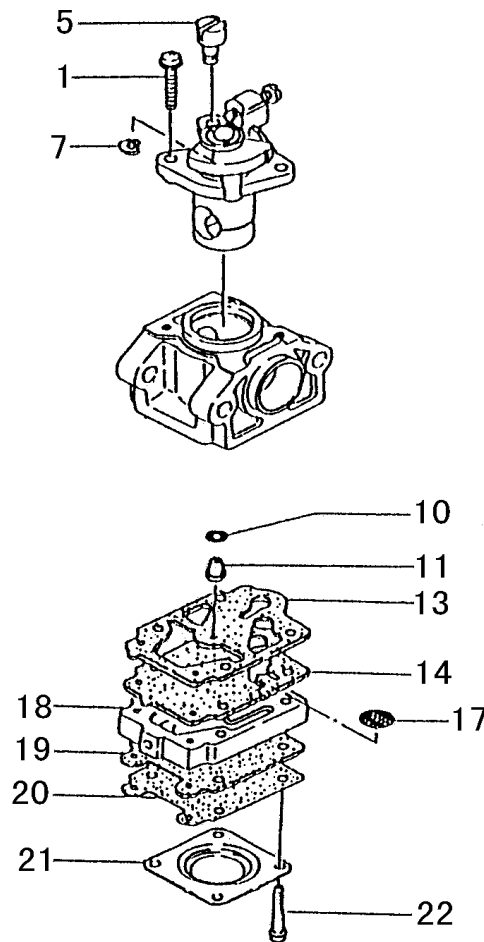


ITEM	PART NUMBER	DESCRIPTION	QTY	COMMENTS
4-3	7380007020	PROTECTOR,MUFFLER	1	
4-7	99463050204	BOLT, HEX 5X20	3	
4-8	99352017002	RING,STOP,S17 EX	1	
4-11	1120007080	CASE,FAN	1	
4-12	99961600001	BEARING,BALL,#6000ZZ	1	
4-14	2770631Q900	CLUTCH,ASS'Y	1	
4-15	7790700020	SPRING,RECOIL	1	
4-16	7740700020	PULLEY,STARTER	1	
4-21	7830174020	ROPE,STARTER,3X890	1	
4-22	7850700020	HANDLE,STARTER	1	
4-25	99415050252	SCREW,PS,5X25	3	
4-28	99967048012	O-RING,S-48	1	
4-30	73200025200	SPARK ARRESTER SCREEN	1	
4-31	7390002520	GASKET,MUFFLER	1	
4-32	7170002590	BODY,MUFFLER B	1	
4-36	99460050104	BOLT,HEX 5x10W	2	
4-37	99051040083	BOLT,HEX.HOLE 4X8	2	
4-73	7001500701	PIPE,RUBBER	1	
4-75	65506400200	CUSHION,TANK	2	

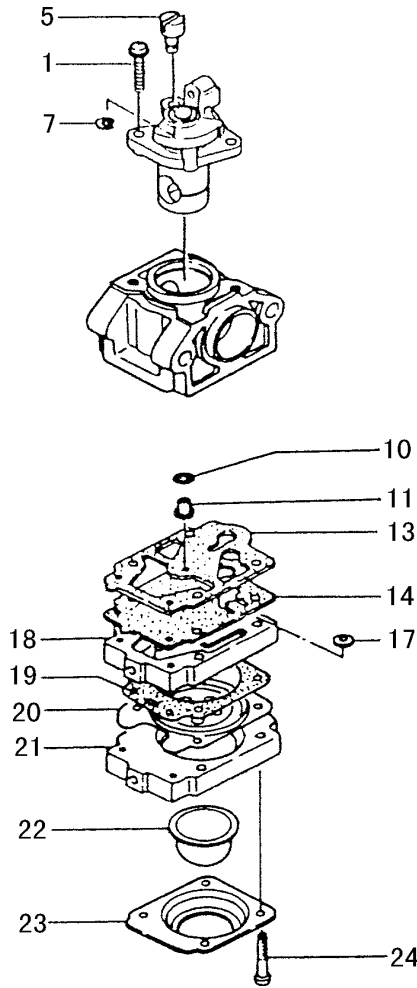


ITEM	PART NUMBER	DESCRIPTION	QTY	COMMENTS
5-0	4100007090	CLEANER,AIR ASS'Y	1	
5-1	4520007090	SET,CLEANER COVER	1	
5-2	4210007020	ELEMENT,CLEANER	1	
5-3	3800637C200	BOLT,CLEANER COVER	1	
5-4	4230007080	BODY,CLEANER	1	
5-6	5280007020	VALVE,CHOKE	1	
5-7	99204080030	WASHER,8	1	
5-8	47006500200	COLLAR	1	
5-10	99414050571	SCREW,5X57,S	2	
5-12	99201050011	WASHER,5	2	

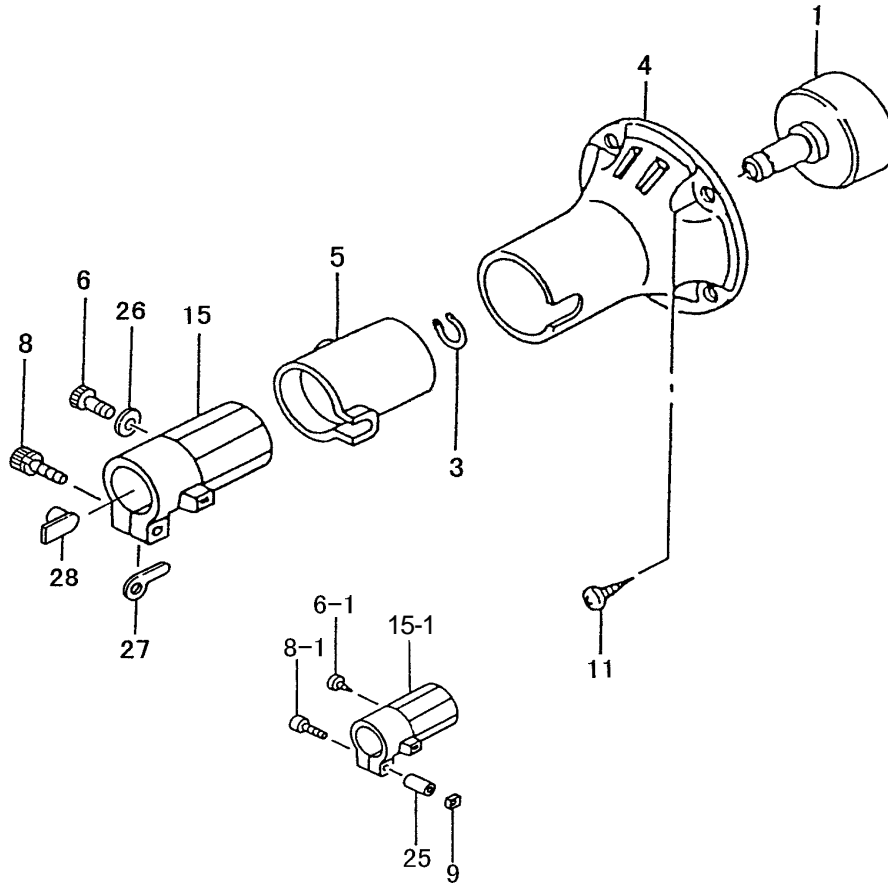




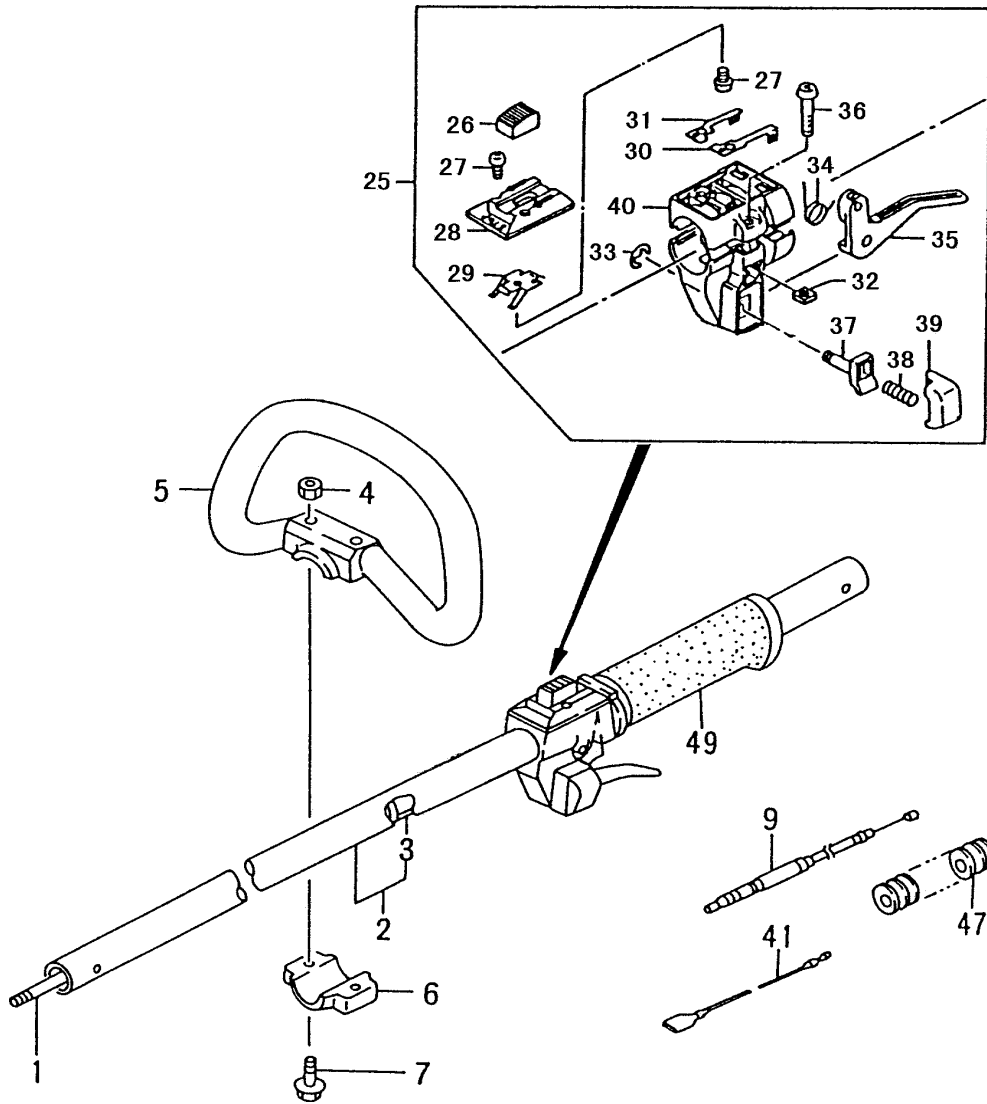
ITEM	PART NUMBER	DESCRIPTION	QTY	COMMENTS
6-0	4550007090	CARBURETOR,ASS'Y	1	~U219339
6-1	54825140200	SCREW,THROTTLE SET	2	
6-5	53925120200	SWIVEL	1	
6-7	48925100200	RING,STOP	1	
6-10	55025100200	O-RING	1	
6-11	5992000W39	JET,MAIN #39	1	
6-13	~ ~ ~	GASKET,PUMP	1	~ Contained in Carb Kit #650-25124-900
6-14	~ ~ ~	DIAPHRAGM,PUMP	1	Not available individually
6-17	57825007200	SCREEN,INLET	1	
6-18	5752515380	BODY,PUMP	1	
6-19	~ ~ ~	GASKET,DIAPHRAGM	1	
6-20	~ ~ ~	DIAPHRAGM,METERING	1	
6-21	47625004200	COVER,DIAPHRAGM	1	
6-22	54825101200	SCREW,SET	4	



ITEM	PART NUMBER	DESCRIPTION	QTY	COMMENTS
7-0	4550007190	CARBURETOR,ASS'Y	1	U219339~
7-1	54825140200	SCREW,THROTTLE SET	2	
7-5	53925120200	SWIVEL	1	
7-7	48925100200	RING,STOP	1	
7-10	55025100200	O-RING	1	
7-11	5992000W39	JET,MAIN #39	1	
7-13	~ ~ ~	GASKET,PUMP	1	~ Contained in Carb Kit #650-25124-900 Not available individually
7-14	~ ~ ~	DIAPHRAGM,PUMP	1	
7-17	57825007200	SCREEN,INLET	1	
7-18	5752515380	BODY,PUMP	1	
7-19	~ ~ ~	GASKET,DIAPHRAGM	1	
7-20	~ ~ ~	DIAPHRAGM,METERING	1	
7-21	4422515180	PUMP,PRIMING	1	
7-22	44725108200	BULB,PRIMING	1	
7-23	4762515120	COVER,DIAPHRAGM	1	
7-24	5482515120	SCREW,SET	4	



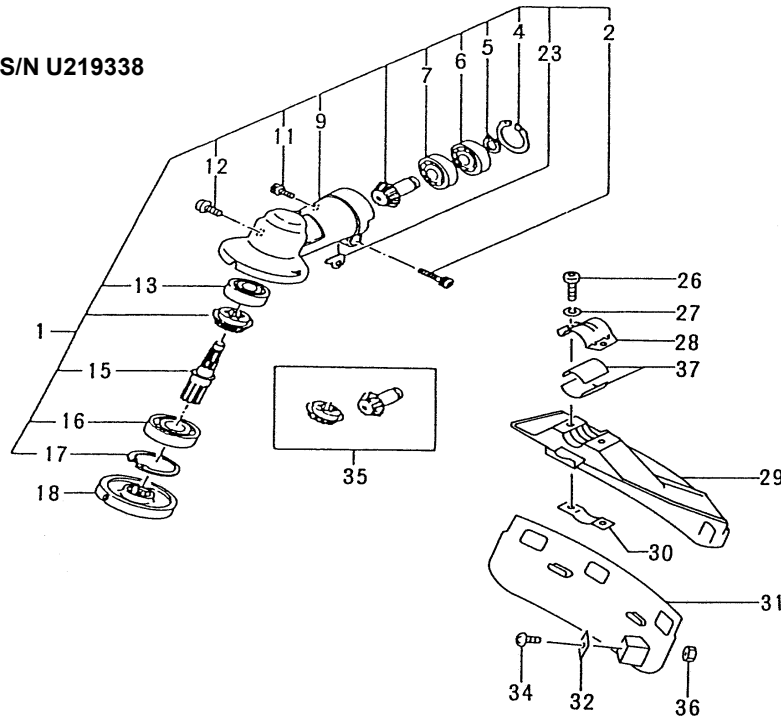
ITEM	PART NUMBER	DESCRIPTION	QTY	COMMENTS
8-1	2890700080	SHAFT,CLUTCH	1	
8-3	99350012002	RING,STOP,C-12 EX	1	
8-4	3310700081	CASE,CLUTCH	1	Includes bearings
8-5	5990098021	CUSHION,RUBBER	1	
8-6-1	99074045164	SCREW,TAPPING 4.5x16	1	~T178680
8-6	99051050163	BOLT,HEX,5X16	1	T178681~
8-8-1	99054050253	BOLT,HEX 5x25	1	~T178680
8-8	99461050254	BOLT,HEX HOLE,5X25S	1	T178681~
8-9	99191050001	NUT,5	1	~T178680
8-11	99073050184	SCREW,TAPPING,5X18	4	
8-15-1	3600098021	HOLDER,PIPE	1	~T178680
8-15	3600099020	HOLDER,PIPE	1	T178681~
8-25	0960430020	COLLAR 6.3x18	1	~T178680
8-26	99201050061	WASHER,5	1	T178681~
8-27	3243735020	WASHER,GEAR CASE	1	T178681~
8-28	3610099020	FITTING,METAL	1	T178681~



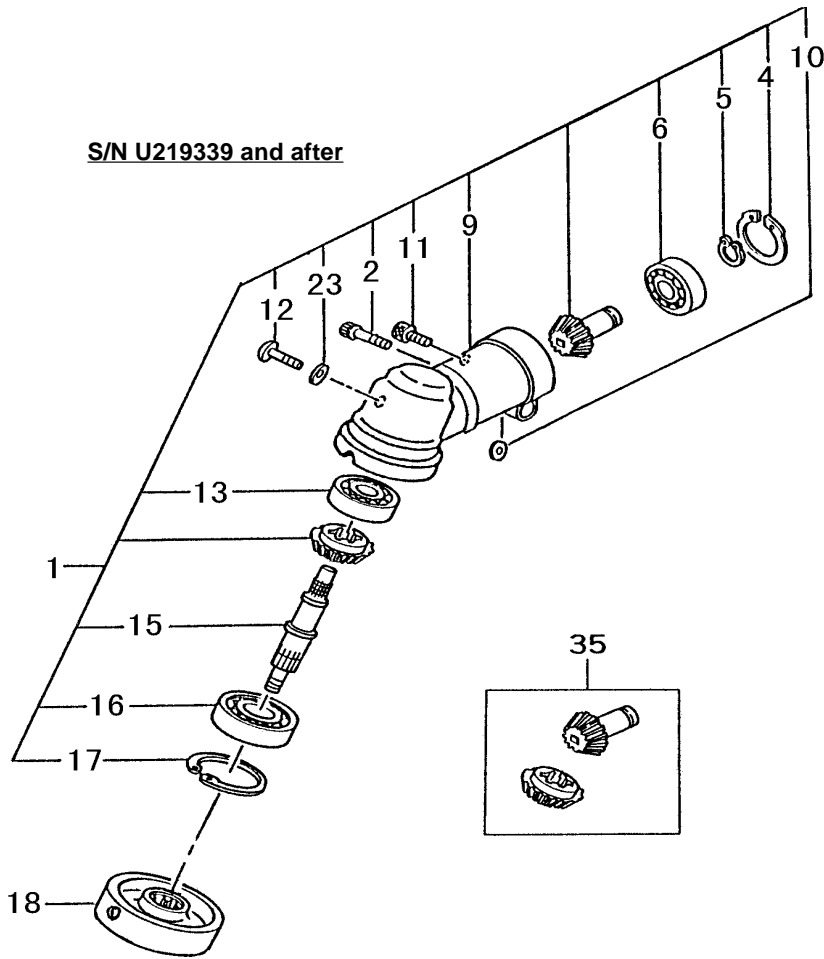
### HANDLE, THROTTLE LEVER • FIGURE 9

ITEM	PART NUMBER	DESCRIPTION	QTY	COMMENTS
9-1	3433761820	SHAFT,DRIVE 1483mm	1	
9-2	3413761681	PIPE,DRIVE SHAFT	1	
9-3	34737601900	BUSHING	5	
9-4	99101060041	NUT,6	2	
9-5	50037300200	HANDLE,D	1	
9-6	50637300200	BRACKET,HANDLE,A	1	
9-7	99023060351	BOLT,6X35 PLUS	2	
9-9	8853782080	WIRE,THROTTLE	1	
9-25	8703728690	LEVER,THROTTLE ASS'Y	1	
9-26	1623710120	SWITCH,STOP	1	
9-27	99342030081	SCREW, TAPPING, 3X8	3	
9-28	25937101200	BASE,STOP SWITCH	1	
9-29	26237101200	SPRING,STOP SWITCH	1	
9-30	17737101200	TERMINAL,EARTH B	1	
9-31	17637101200	TERMINAL,EARTH A	1	
9-32	3153334020	NUT,SPECIAL 5MM	2	
9-33	99355060001	RING,STOP,6	1	
9-34	83237101200	SPRING,RETURN	1	
9-35	88037101200	LEVER,THROTTLE	1	
9-36	99431050201	SCREW,5X20	2	
9-37	85337101200	SHAFT,LOCK BUTTON	1	
9-38	95837101200	SPRING,LOCK,BUTTON	1	
9-39	95637101200	BUTTON,LOCK	1	
9-40	2603331720	BODY,STOP BUTTON,B	1	
9-41	1783739480	CORD,STOP 430mm	2	
9-47	16410014010	TUBE,PROTECTION	1	~T090500
9-47	1641001701	TUBE,PROTECTION	1	T090501~
9-49	50437300200	GRIP,SHAFT	1	

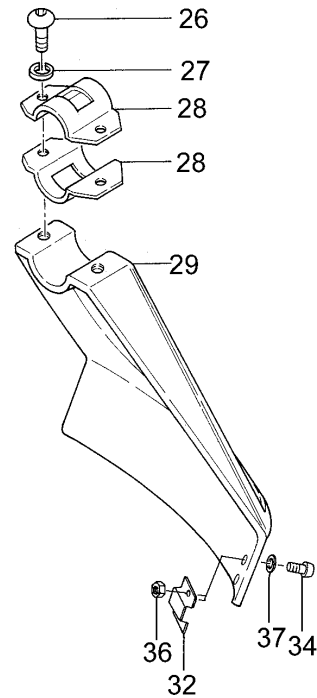
Units Prior to S/N U219338



ITEM	PART NUMBER	DESCRIPTION	QTY	COMMENTS
10-1	3003741791	CASE,GEAR ASS'Y	1	~U219338
10-2	99461050254	BOLT,HEX HOLE,5X25S	1	
10-4	99353022002	RING,STOP,R22 IN	1	
10-5	99350010002	RING,STOP,C-10 EX	1	
10-6	99961690001	BEARING,BALL,#6900ZZ	1	
10-7	99961690000	BEARING,BALL,#6900	1	
10-9	3003762320	CASE,GEAR	1	
10-11	99051050103	BOLT,HEX.HOLE,5X10	1	
10-12	99423080100	BOLT,8X10	1	
10-13	99961626000	BEARING,BALL,#626	1	
10-15	3043730720	SHAFT,GEAR	1	
10-16	99961600104	BEARING,BALL,#6001DD	1	
10-17	99351028002	RING,STOP,IN,C-28	1	
10-18	3103810020	HOLDER,CUTTER	1	
10-23	3243735020	WASHER,GEAR CASE	1	
10-26	99053060253	BOLT,HEX,6X25	2	~T248692
10-26	99481060254	SCREW,HEX HOLE 6X25	2	T248693~
10-27	99210060062	WASHER,S,6	2	~T248692
10-28	4423369921	BRACKET,SAFETY GUARD	1	~U219338
10-29	4413738020	GUARD,SAFETY	1	~U219338
10-30	4453738020	HOLDER,GUARD	1	~U219338
10-31	4473738020	EXTENSION,GUARD	1	~U219338
10-32	7973738021	LIMITER,LINE	1	~U219338
10-34	99414050121	SCREW,S,5X12	1	~U219338
10-35	3013730001	SET,GEAR/PINION	1	
10-36	99101050011	NUT,5	1	U219338~
10-37	44437609200	SPACER,BRACKET	2	U219338~



**S/N V223978 and after**



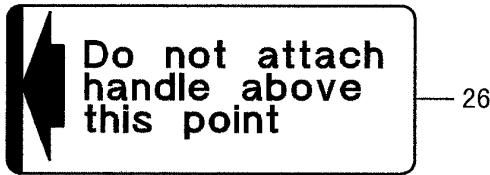
### GEAR CASE, SAFETY GUARD • FIGURE 11

ITEM	PART NUMBER	DESCRIPTION	QTY	COMMENTS
11-1	3003782090	CASE,GEAR,ASS'Y	1	U219339~
11-2	99461050254	BOLT,HEX HOLE,5X25S	1	
11-4	99351024002	RING,STOP,C-24,IN	1	
11-5	99354009002	RING,STOP,9	1	
11-6	99961609002	BEARING,BALL,#609Z	1	
11-9	3003754720	CASE,GEAR	1	
11-10	99200050011	WASHER,SMALL,5	1	
11-11	99461050124	BOLT,HEX,5X12S	1	
11-12	99023060120	BOLT,PLUS,6X12	1	
11-13	99961698000	BEARING,BALL 698	1	
11-15	3043782020	SHAFT,GEAR	1	
11-16	99961600003	BEARING,BALL,#6000D	1	
11-17	99351026002	RING,STOP,IN,C-26	1	
11-18	3103754720	HOLDER,CUTTER	1	
11-23	3253754720	WASHER	1	
11-26	99481060254	SCREW,HEX HOLE 6X25	2	~V223978
11-26	99053060153	BOLT,HEX,6X15	2	V223979~
11-27	99210060062	WASHER,S,6	2	V223979~
11-28	4423741720	BRACKET,SAFETY GUARD	2	V223979~
11-29	4413782080	GUARD,SAFETY	1	V223979~
11-32	7973782020	LIMITER,LINE	1	V223979~
11-34	99414040121	SCREW,4X12/S	2	V223979~
11-35	3013754700	SET,GEAR/PINION	1	
11-36	99101040011	NUT,4	2	V223979~
11-37	99201040011	WASHER,4	2	V223979~

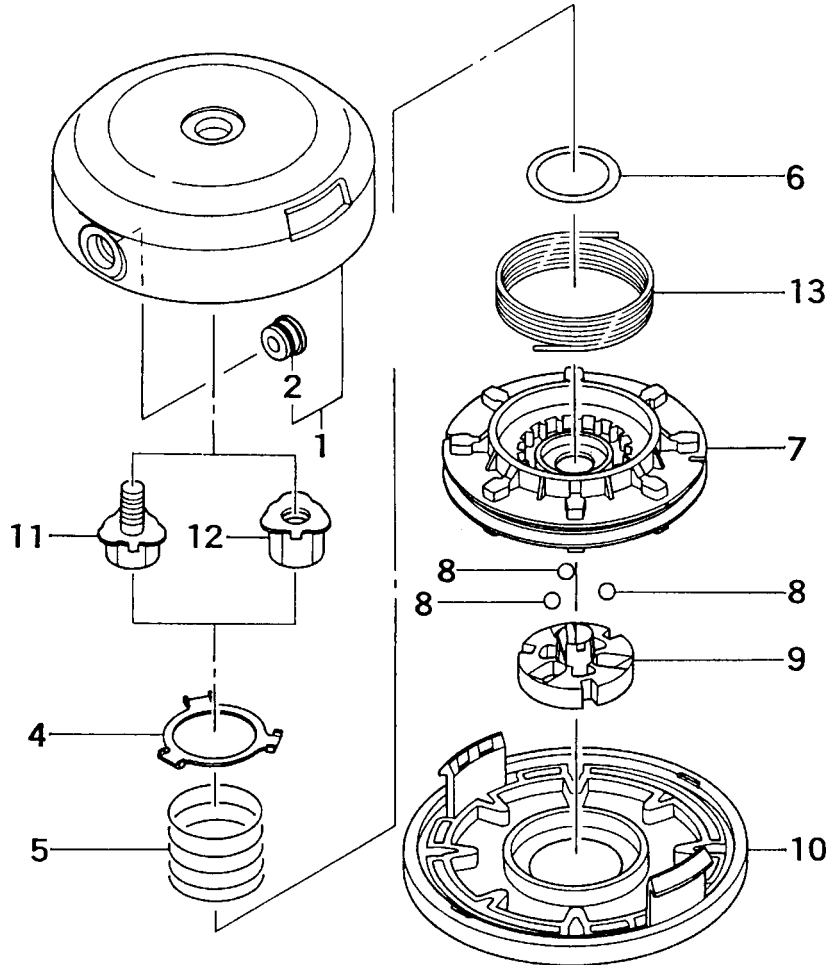




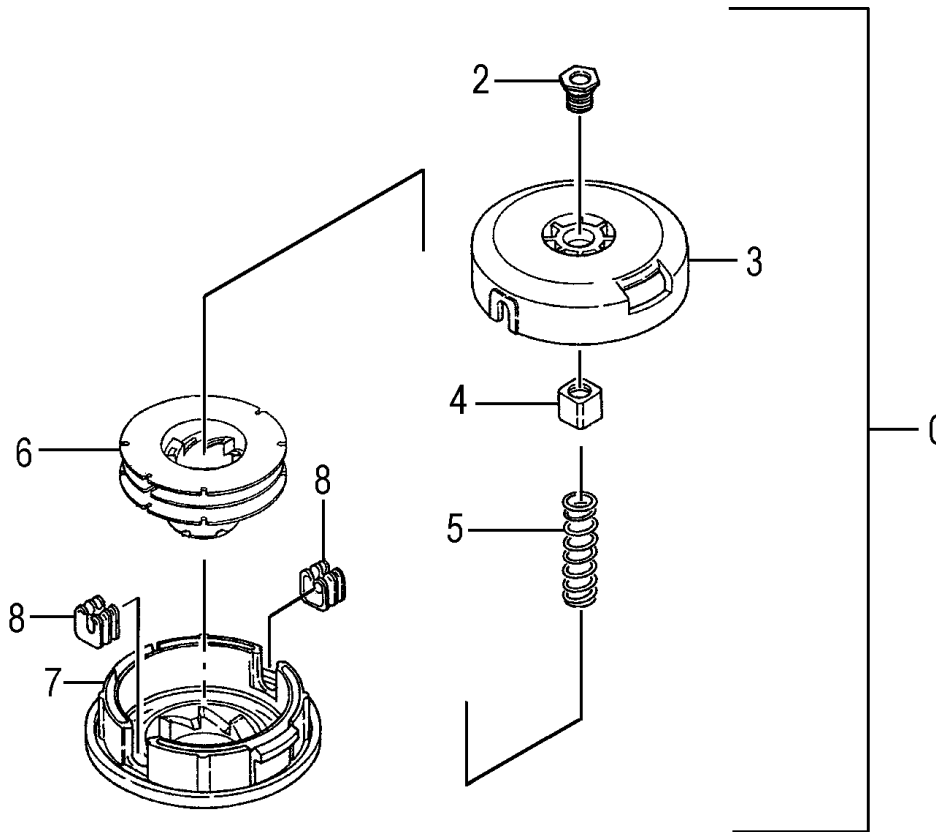
**WARNING!** •Read the Operator's Manual and follow all warnings and safety instructions. Failure to do so can result in serious injury to the operator and/or bystanders. •Objects may be thrown or ricochet in all directions. **ALWAYS WEAR EYE PROTECTION.** •Keep bystanders at least 50 feet (15 m) away. •To reduce the chance of hearing loss, always wear ear protection. •To reduce the risk of injury from loss of control, never use a metal blade on a curved shaft grass trimmer. Never use a metal blade on any brushcutter without barrier bar or bicycle handle configuration and safety strap. •Use of a blade may cause a sudden sideways forward or backward motion of the brushcutter when the blade contacts a solid object. See Owner's manual for model specific details.



ITEM	PART NUMBER	DESCRIPTION	QTY	COMMENTS
12-1	9060007020	DECAL,TBC-2211	1	
12-2	9290007820	DECAL,TBC-2211	1	T248693~
12-3	91505015200	DECAL,SYMBOL	1	
12-4	9233370020	DECAL,LEVEL	1	
12-10	9193738F20	DECAL,CAUTION,A	1	
12-18	9233728620	DECAL,LEVEL	1	
12-26	9233738F20	DECAL,LEVEL	1	



ITEM	PART NUMBER	DESCRIPTION	QTY	COMMENTS
	746751	HEAD, BRAIN (TH-97)	1	Units prior to S/N V223977
1	7863381091	CUTTING BODY ASS'Y	1	
2	7883307120	EYELET	2	
3	7603381020	WASHER, MOUNTING	1	
4	7853381020	BASE, ADJUSTMENT	1	
5	7933381022	SPRING, REEL, YELLOW	1	
6	7923381020	WASHER, ADJUSTMENT	1	
7	7873381020	REEL	1	
8	6733560020	BALL, STEEL	3	
9	7903381020	SLIDER, REEL	1	
10	7893381020	CAP, BODY	1	
11	3143381280	MOUNTING BOLT	1	Units prior to S/N U219338
12	3153381480	MOUNTING NUT, 8mm	1	Units after S/N U219339



ITEM	PART NUMBER	DESCRIPTION	QTY	COMMENTS
0	746451	HEAD,SEMI-AUTO 5"	1	After serial number V223978
1-2	3563383E20	ADAPTER,8X1.25 LHF	1	
1-3	78633830200	BODY,CUTTING	1	
1-4	31533830200	NUT,SPECIAL	1	
1-5	79333830200	SPRING	1	
1-6	78733830200	REEL	1	
1-7	78933830200	CAP,BODY	1	
1-8	78833830200	EYELET	2	

**COPOLYMER NYLON CUTTING LINE**

Tanaka Copolymer Nylon Cutting Line is made of a special, long lasting, weld resistant compound to provide outstanding cutting performance for grass trimmer heads.

Item No.	Description
<b>30' / 40' / 50' Nylon Line Coils ( 1 case = 24 pcs. )</b>	
746555	080-CLN / .080" Dia / Green (50 ft.)
746556	095-CLN / .095 Dia. / Orange (40 ft.)
746557	105-CLN / .105" Dia. / Red (30 ft.)
<b>1/2 lb. Nylon Line Donuts ( 1 case = 24 pcs. )</b>	
746559	080-005N / .080" Dia. / Green (200 ft.)
746560	095-005N / .095" Dia. / Orange (142 ft.)
746561	105-005N / .105" Dia. / Red (117 ft.)
746562	130-005N / .130" Dia. / Black (75 ft.)
<b>1 lb. Nylon Line Donuts ( 1 case = 24 pcs. )</b>	
746564	080-010N / .080" Dia. / Green (400 ft.)
746565	095-010N / .095" Dia. / Orange (285 ft.)
746566	105-010N / .105" Dia. / Red (235 ft.)
746567	130-010N / .130" Dia. / Black (150 ft.)
746568*	155-010N / .155" Dia. / Yellow (108 ft.)
<b>3 lb. Nylon Line Spools ( 1 case = 12 pcs. )</b>	
746168	080-030N / .080" Dia. / Green (1,200 ft.)
746169	095-030N / .095" Dia. Orange (855 ft.)
746170	105-030N / .105" Dia. / Red (705 ft.)
746171	130-030N / .130" Dia. / Black (450 ft.)
746272	155-030N / .155" Dia. / Yellow (324 ft.)
<b>5 lb. Nylon Line Spools ( 1 case = 12 pcs. )</b>	
746172	080-050N / .080" Dia. / Green (2,000 ft.)
746173	095-050N / .095" Dia. / Orange (1,425 ft.)
746174	105-050N / .105" Dia. / Red (1,175 ft.)
746175	130-050N / .130" Dia. / Black (750 ft.)
746176	155-050N / .155" Dia. / Yellow (540 ft.)



- ❖ **Unique Color-Coded Trimmer Line System.**
- ❖ **Easy to Load into Any Trimmer Head.**
- ❖ **Available in Various Package Quantities.**
- ❖ **Economical 3 lb. & 5 lb. Sizes are Available on Spools**



*All data and specifications are subject to change without notice.*

**Date:** September 2000

**Model & Serial:** AST-210, TBC-2211 (1)  
TBC-4001, TBC-2251 (2)

**Reason:** Some units experienced difficulty in properly feeding line. The spring within the head has been changed to ensure proper feeding.

**Part Number Changes:**

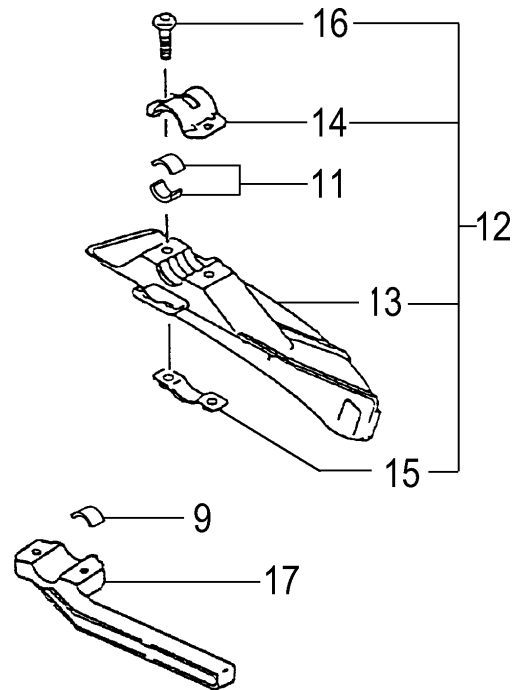
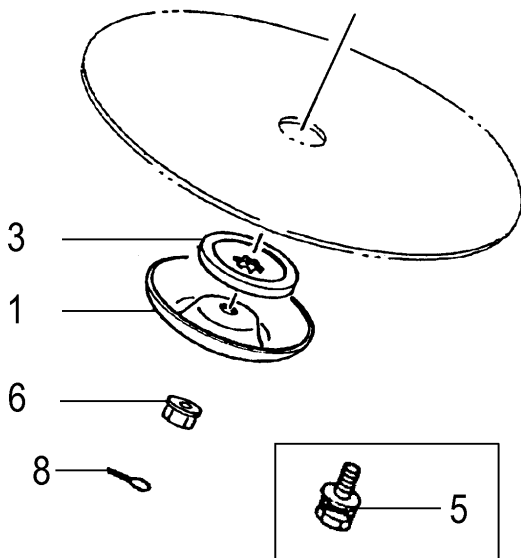
<b>Old Part #</b>	<b>New Part #</b>	<b>Description</b>	<b>Remarks</b>
783-33815-90	783-33817-90	Brain Head (1)	Marking on body changed from NB to NBY
793-33810-21	793-33810-22	Spring (1)	Color has been changed from black to black & yellow
783-33822-90	783-33823-90	Brain Head (2)	Marking on body changed from RB to RYB
793-33820-20	793-33820-21	Spring (2)	Color has been changed from silver to silver & yellow

**Tanaka** is marketed exclusively by:





**WARNING!** Read the owners manual and follow all warnings and safety instructions. Failure to do so can result in serious injury to the operator and/or bystanders. Never attempt to mount a steel blade to a machine that is not specifically designed for that purpose. Never attempt to mount a steel blade without using all components of the blade attachment kit, including shoulder strap and barrier safety bar.



ITEM	PART NUMBER	DESCRIPTION	QTY	COMMENTS
1	30833410200	COVER,PROTECTION,B,8mm	1	8mm
1	3083786120	COVER,BOLT PROTECTOR,10mm	1	10mm
3	3113754720	CAP,CUTTER HOLDER,8mm	1	for use with 8x1.25 nut
3	3113815020	CAP,CUTTER HOLDER,10mm	1	for use with 10x1.25 nut
5	3123338620	BOLT,FLANGED,10x1.25,LH	1	10x1.25 bolt
6	3133754720	NUT,FIXING L.H. 8X1.25	1	8x1.25 nut
6	3133833220	NUT,FIXING L.H.,10X1.25	1	10x1.25 nut
8	3273718090	PIN,COTTER 2X20 (10 PACK)	1	
9	44437609200	SPACER,BRACKET	1	for use with barrier bar, 24mm shafts
11	44437609200	SPACER,BRACKET	2	
12	30060	KIT,BLADE GUARD	1	
13	4413738020	GUARD,SAFETY	1	
14	4423369921	BRACKET,SAFETY GUARD	1	
15	4453738020	HOLDER,GUIDE	1	
16	99481060254	SCREW,HEX HOLE 6X25	2	
17	5203339820	BAR,BARRIER 26mm	1	
18	746191	STRAP,SHOULDER,PSS-175	1	Includes mounting bracket/hardware