

Tanaka Illustrated Parts Manual

Model Number:

TBC-230SF

21cc Multi-Task Tool

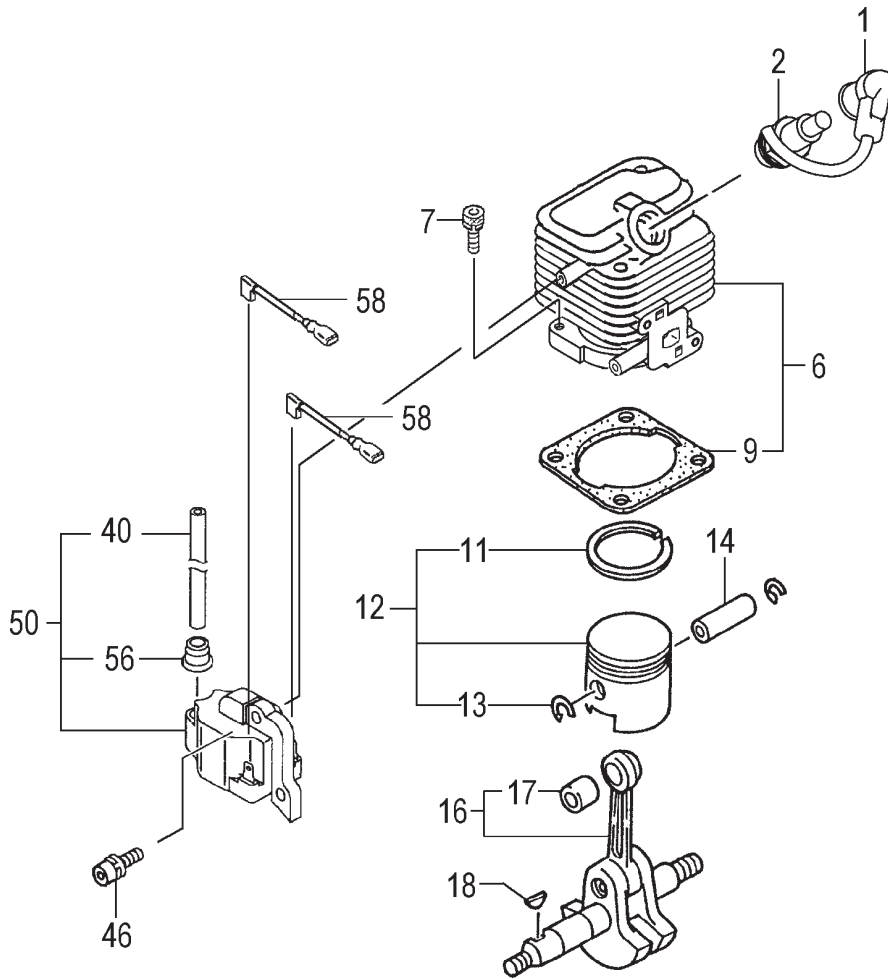
P/N 32466

Rev 000

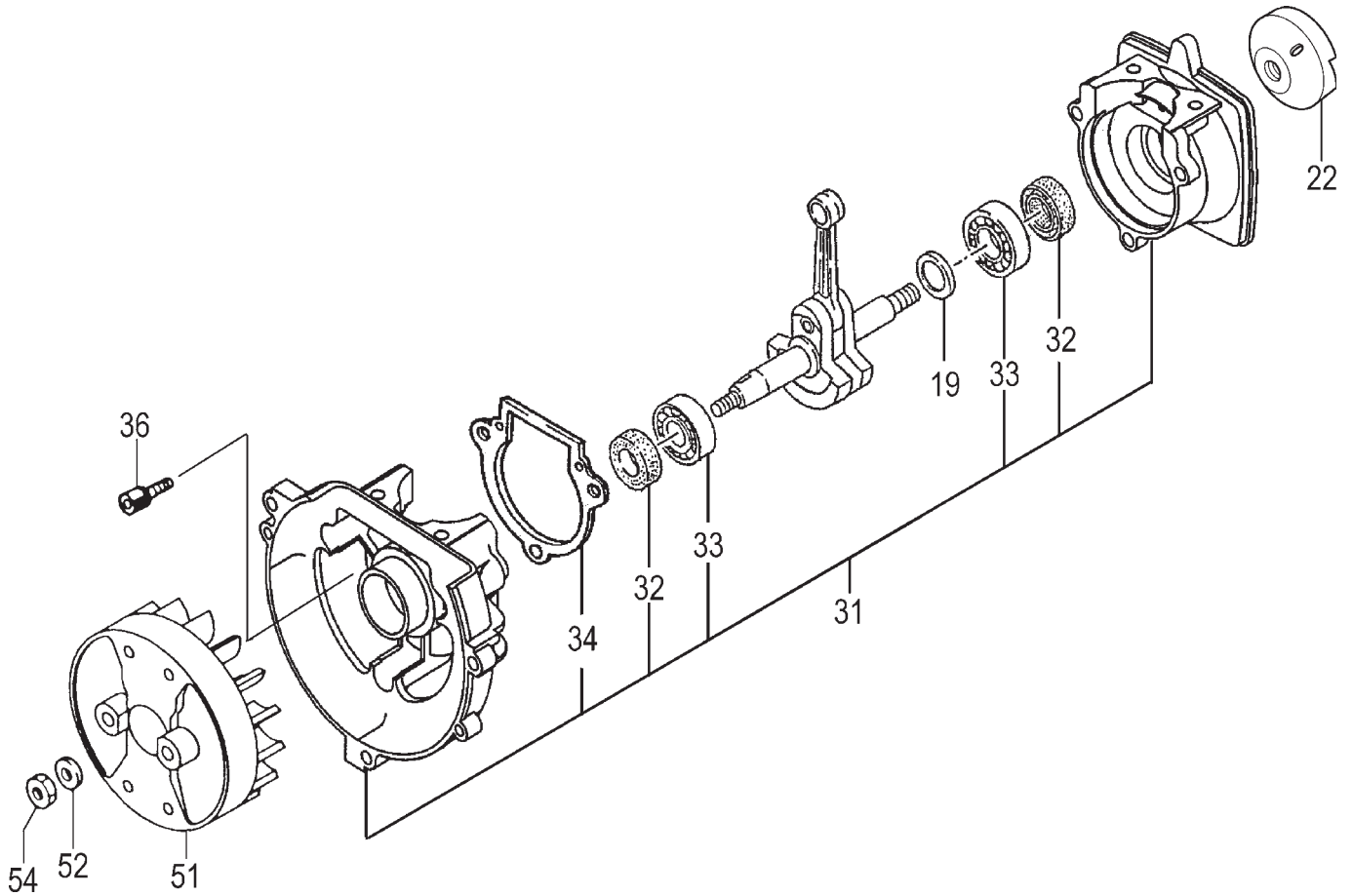
Date FEB 08



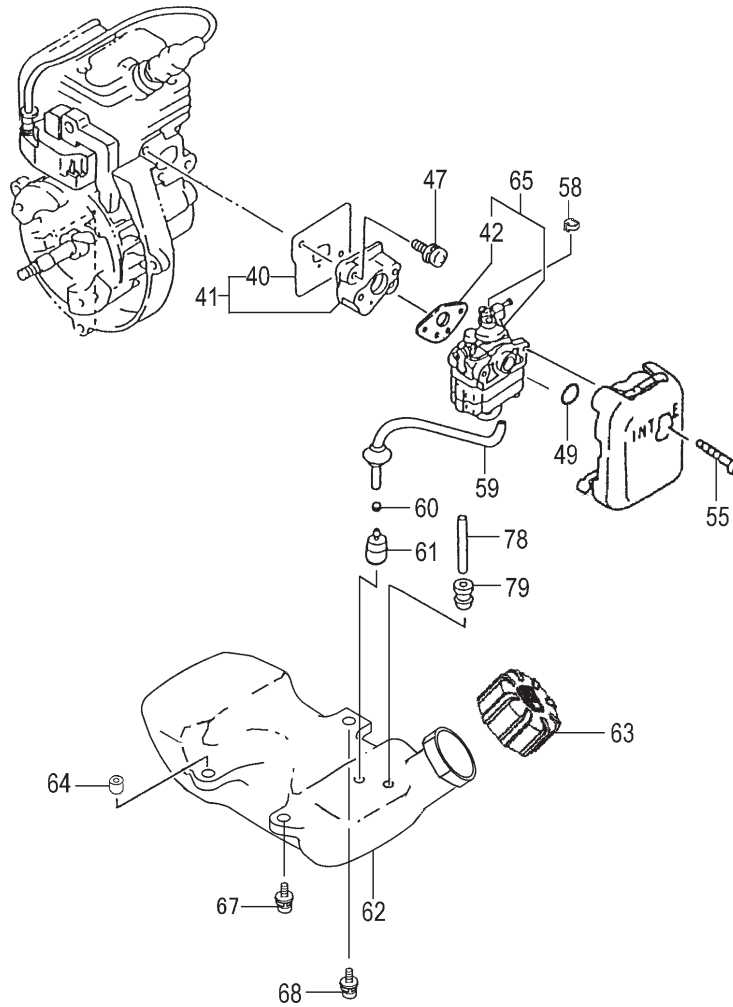
Nikko Tanaka Engineering U.S.A.,Ltd. • 1028 4th Street SW, Bldg B • Auburn, WA 98001 • Phone: (253) 333-1200 • Fax: (253) 333-1212



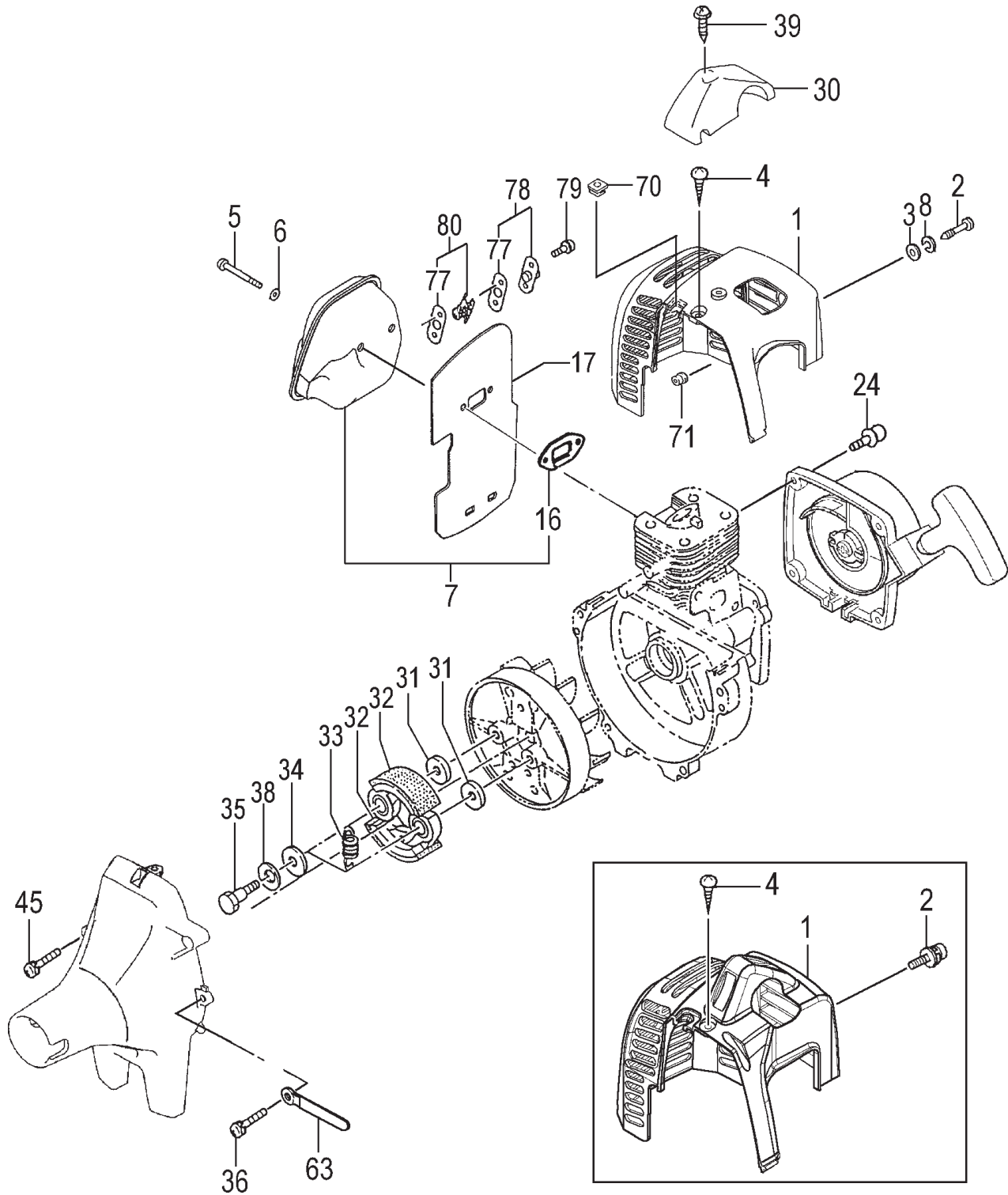
ITEM	PART NUMBER	DESCRIPTION	QTY	COMMENTS
1-1	15701570900	CAP, SPARK PLUG, ASSEMBLY	1	
1-2	0181166021	PLUG, SPARK	1	
1-6	0010713091	CYLINDER SET	1	Includes gasket
1-7	99461050184	BOLT, HEX, 5X18, S	2	
1-9	0170631A200	GASKET, CYLINDER	1	
1-11	04100601210	RING, PISTON	1	
1-12	0300007090	SET, PISTON	1	Includes piston rings & circlips
1-13	03901620200	CIRCLIP, PISTON PIN	2	
1-14	03706500200	PIN, PISTON	1	
1-16	0460713081	CRANKSHAFT	1	~B003450
1-16	0460713580	CRANKSHAFT	1	B003451~
1-17	99962081225	BEARING, NEEDLE, F-810	1	
1-18	06810100200	KEY, WOODRUFF, 3X13X4.5	1	~B003450
1-40	1782054620	CORD B	1	
1-46	99463040154	BOLT, HEX, 4X15, PS	2	
1-50	1672054691	COIL, IGNITION	1	
1-56	56020517200	CAP, RUBBER	1	
1-58	1780136M800	CORD, STOP	2	



ITEM	PART NUMBER	DESCRIPTION	QTY	COMMENTS
2-19	33000200210	SHIM,12.2X19X.10	V	Shims are "as needed" to obtain correct side clearance
2-19	33000200220	SHIM,12.2X19X.15	V	
2-19	33000200230	SHIM,12.2X19X.20	V	
2-19	33000200240	SHIM,12.2X19X.30	V	
2-22	7980304520	PULLEY,STARTER	1	Includes bearings, seals and gasket ~B003450
2-31	0720712090	CRANKCASE ASSY	1	
2-31	0720712092	CRANKCASE ASSY	1	Includes bearings, seals and gasket B003451~
2-32	99966122240	SEAL,OIL,#12227	2	
2-33	99961600115	BEARING,BALL,#6001 C3	2	
2-34	0900641020	GASKET,CRANKCASE	1	
2-36	99461050184	BOLT,HEX,5X18,S	3	
2-51	1552055080	ROTOR,MAGNETO	1	~B003450
2-51	1552055081	ROTOR,MAGNETO	1	B003451~
2-52	99201080011	WASHER,8	1	
2-54	99101080011	NUT,8	1	

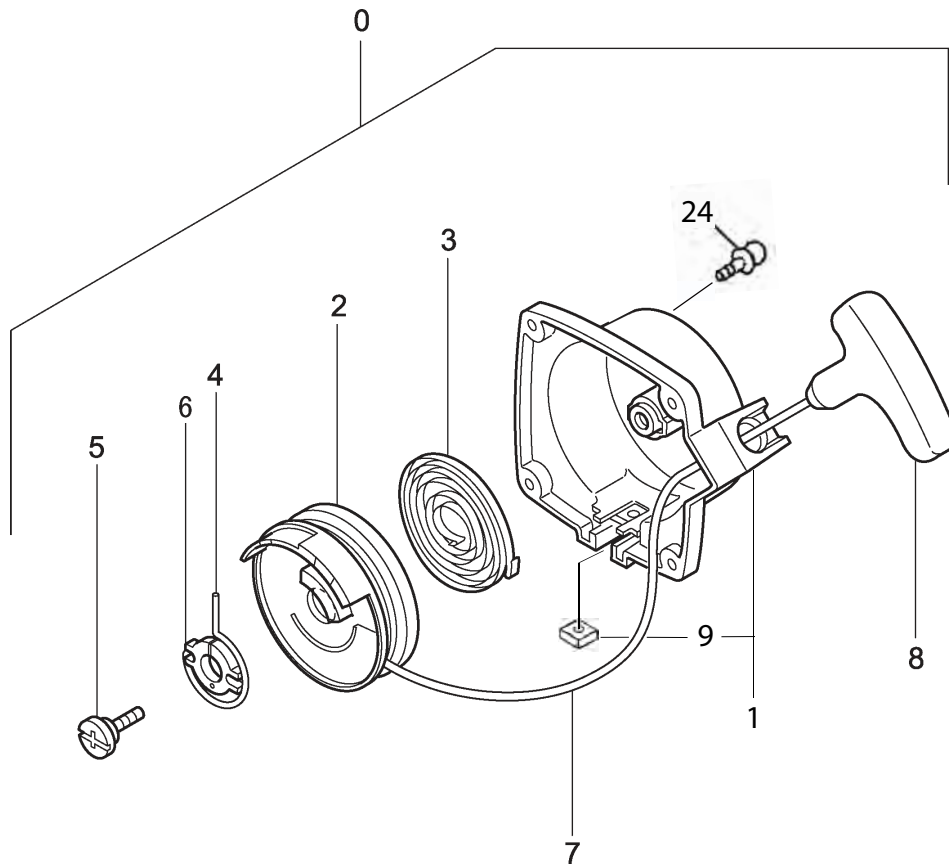


ITEM	PART NUMBER	DESCRIPTION	QTY	COMMENTS
3-40	4030631A20	GASKET,INLET MANIFOLD	1	
3-41	4040099F90	SET,CARB INSULATOR	1	
3-42	4020602K21	GASKET,CARBURETOR	1	
3-47	99464050224	BOLT,HEX,5X22,WS	2	
3-55	99414050601	SCREW,5X60	2	
3-56	99201050011	WASHER,5	2	
3-58	5600712020	CAP, SWIVEL	1	A211451~
3-59	2230700090	SHIELD,TUBE	1	
3-60	68000731201	CLIP 6.3	1	
3-61	6750404280	FILTER,FUEL	1	
3-62	5910712021	TANK,FUEL	1	
3-62	5910717F20	TANK,FUEL,EVAPO	1	
3-63	5950300290	CAP,TANK (BLACK/RED)	1	
3-64	65900801200	COLLAR	3	
3-65	4550713990	CARBURETOR SET	1	
3-67	99463050164	BOLT,HEX,5X16,PS	2	
3-68	99463050205	BOLT,HEX,5X20PS	1	
3-78	70003005080	PIPE,FUEL 3X5X80	1	
3-79	53432710200	GROMMET,FUEL PIPE	1	



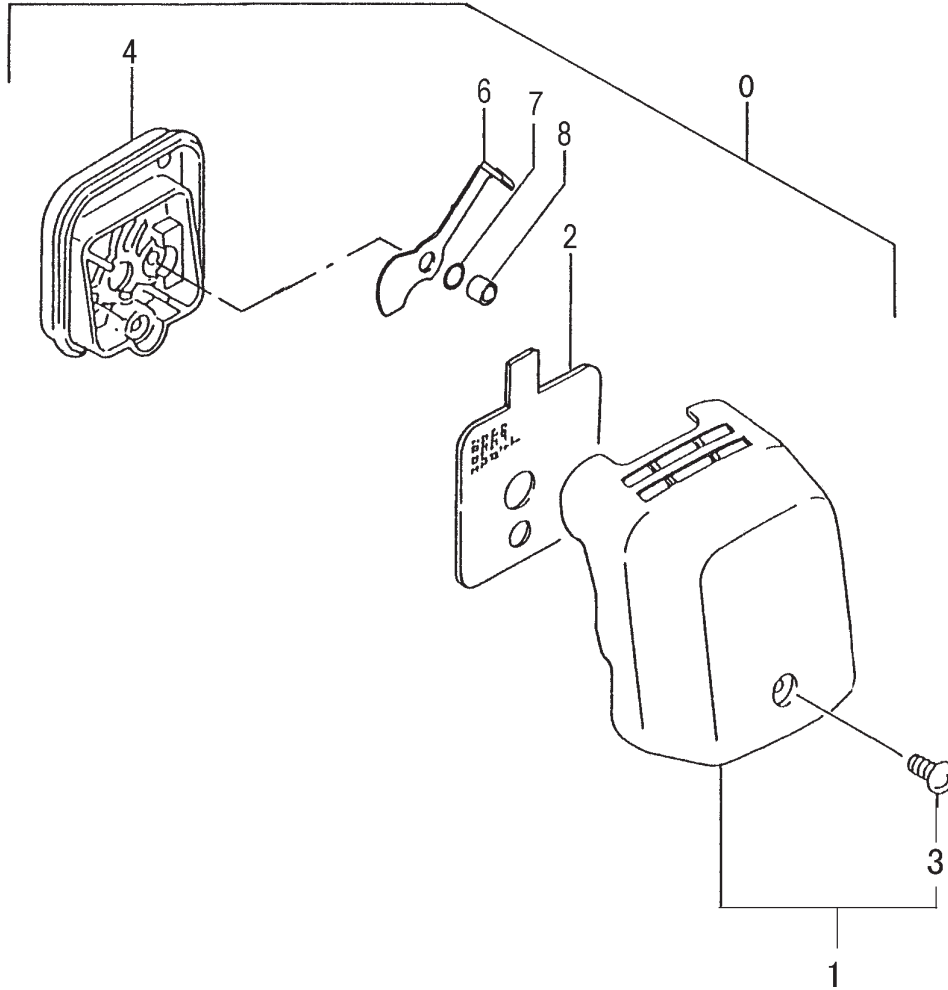
**Units after S/N B205033
(built in spark plug cover)**

ITEM	PART NUMBER	DESCRIPTION	QTY	COMMENTS
4-1	7380716220	PROTECTOR,MUFFLER	1	With built in spark plug cover
4-2	3800641020	SCREW,COVER	1	
4-3	99201040061	WASHER,4	1	
4-4	99073045124	SCREW,TAPPING,4.5X12	1	
4-5	99051050503	BOLT,HEX,5X50	2	
4-6	99201050061	WASHER,5	2	
4-7	7040713990	MUFFLER SET	1	S/N ~B205033
4-8	99210040062	WASHER,SPRING 4	1	
4-16	7370700020	GASKET,MUFFLER	1	
4-17	1330654020	SHIELD,HEAT	1	
4-24	99463040154	BOLT,HEX,4X15,PS	4	
4-30	2570712420	COVER,PLUG	1	
4-31	35902103200	WASHER,CLUTCH,B	2	
4-32	2900641080	SHOE,CLUTCH	2	
4-33	3420641020	SPRING,CLUTCH	1	
4-34	3480654020	PLATE,CLUTCH	2	
4-35	35700601200	BOLT,STEP,CLUTCH	2	
4-36	99464050184	BOLT,HEX,5X18,WS	2	
4-38	99205080030	WASHER,8	2	S/N ~B205033
4-39	99072045204	SCREW,TAPPING,4.5X20	1	
4-45	99464050304	BOLT,HEX,5X30,WS	1	S/N ~B205033
4-70	20210200201	GROMMET,SECONDARY CORD	1	
4-71	0110641020	COVER,COLLAR	1	
4-77	75104200201	GASKET,MUFFLER	2	
4-78	7340099K90	PIPE,EXHAUST	1	
4-79	99434040081	SCREW,4X8/S	2	
4-80	7320099F90	SET,SPARK ARRESTER	1	

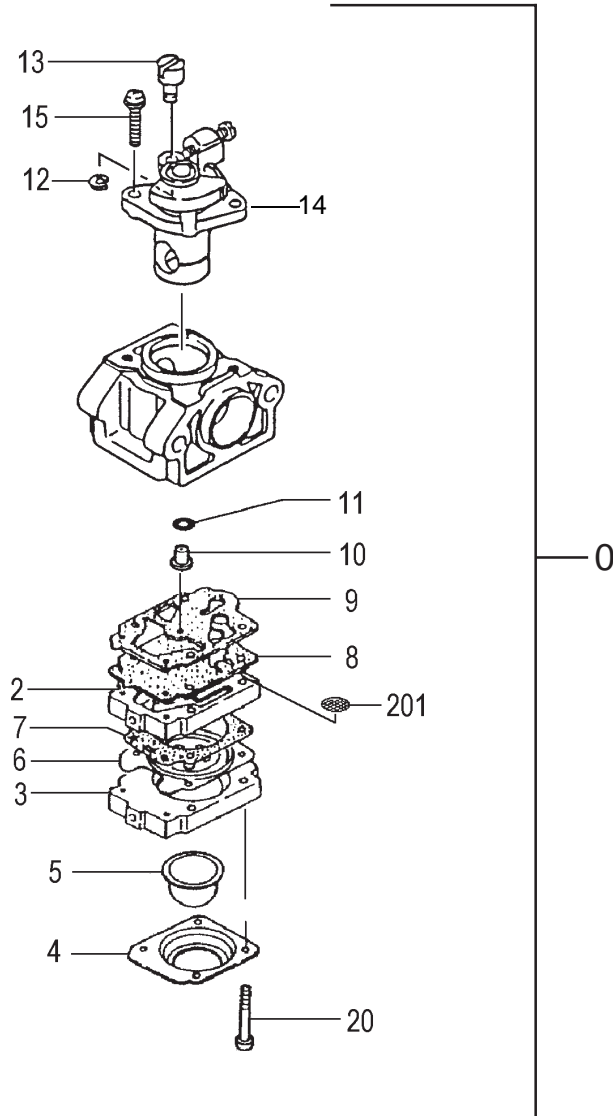


Consider ordering the 748744, S-Start Kit
if you are replacing the starter assy. It
decreases the pull-effort by 60%.
They are dependable and easy to install.

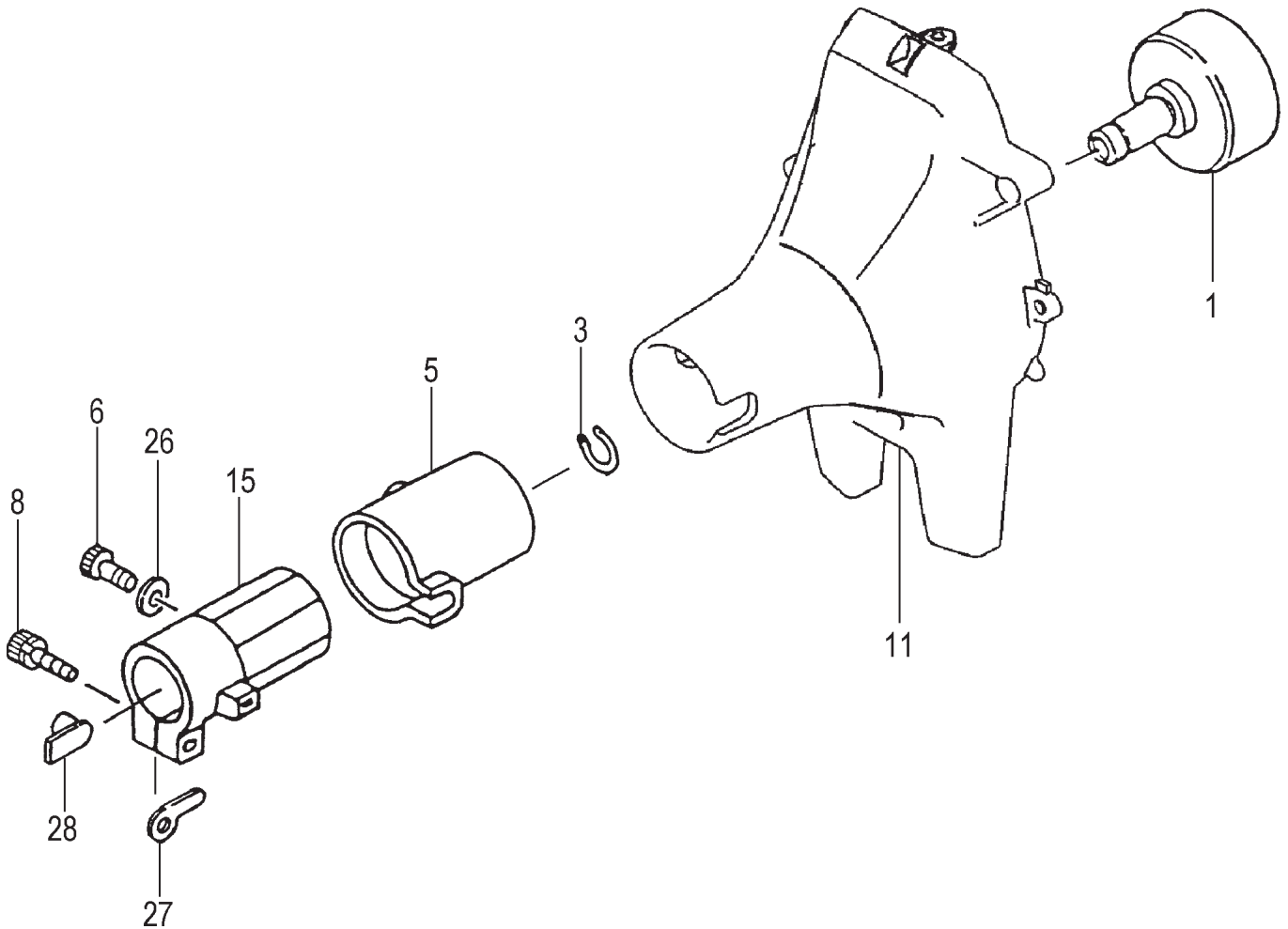
ITEM	PART NUMBER	DESCRIPTION	QTY	COMMENTS
5-0	7620304590	STARTER ASS'Y	1	7560712000 Optional S-Start Kit
5-1	7720304580	BODY,STARTER	1	
5-2	7740304520	PULLEY,STARTER	1	
5-3	7790304520	SPRING,RECOIL	1	
5-4	7770304520	ARM,SWING	1	
5-5	8390304520	SCREW,SET	1	
5-6	7710304520	STAY,PULLEY	1	
5-7	7830304520	ROPE,STARTER	1	
5-8	7850304520	HANDLE,STARTER	1	
5-9	3153334020	NUT, SPECIAL 5MM	1	
5-24	99463040154	HEX, HOLE BOLT 4X15/PS	4	NOT INCLUDED WITH ASSEMBLY



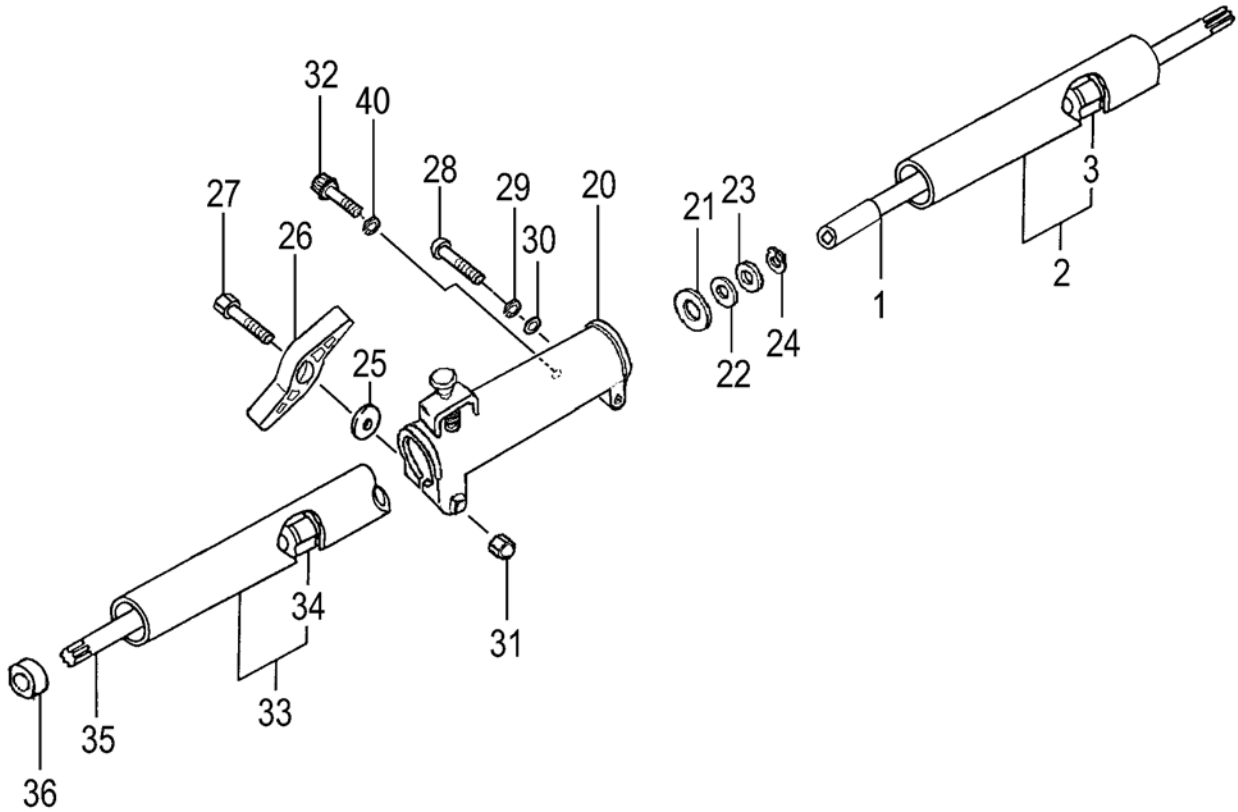
ITEM	PART NUMBER	DESCRIPTION	QTY	COMMENTS
6-0	4100714290	CLEANER,ASS'Y	1	
6-1	4520007092	SET,CLEANER COVER	1	
6-2	4210007020	ELEMENT,CLEANER	1	
6-3	3800637C200	BOLT,CLEANER COVER	1	
6-4	4230007081	BODY,CLEANER	1	
6-6	5280714320	PLATE,CHOKE	1	
6-7	99204080030	WASHER,8	1	
6-8	6573252A20	COLLAR 8	1	



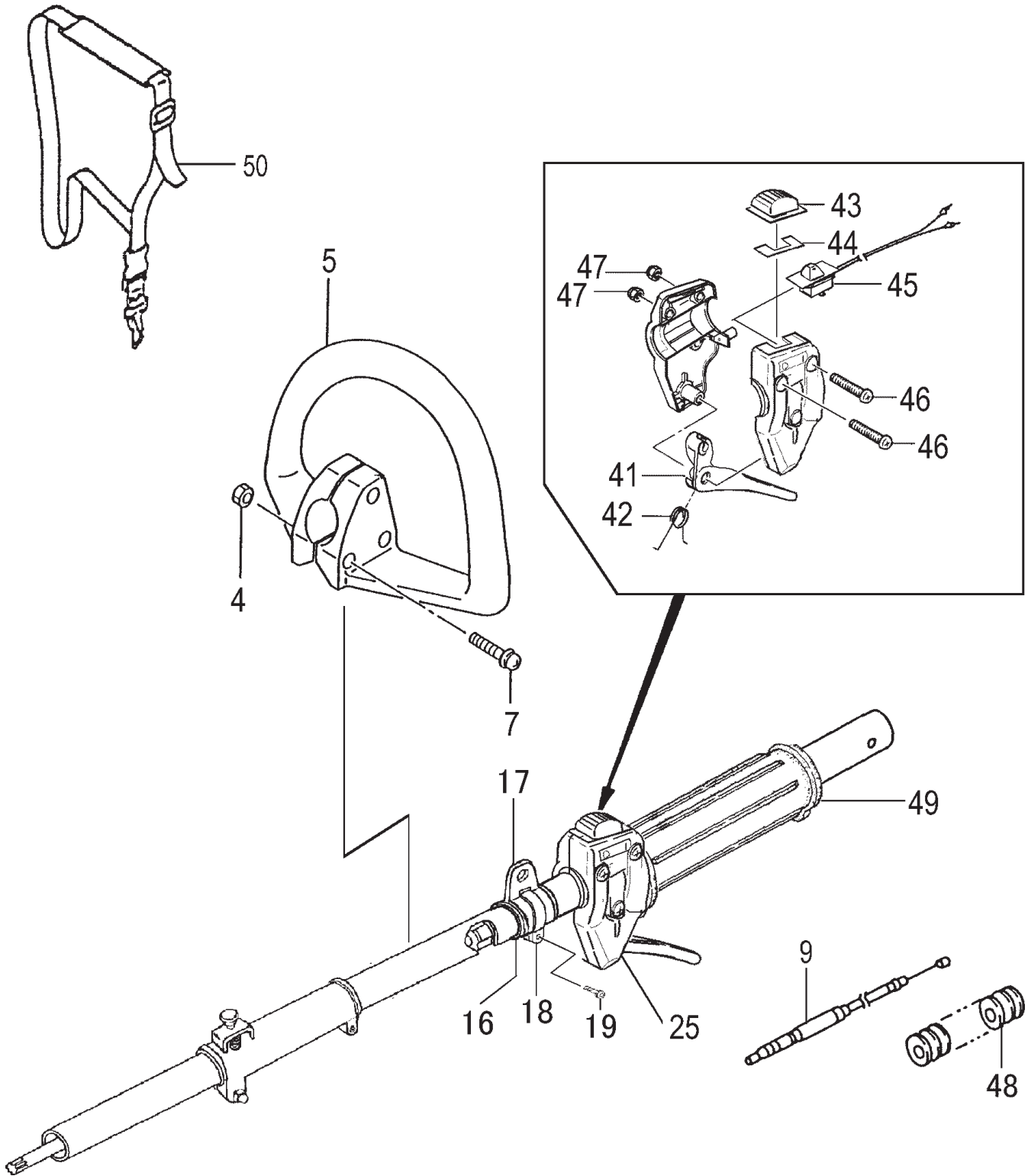
ITEM	PART NUMBER	DESCRIPTION	QTY	COMMENTS
7-0	4550713990	CARBURETOR SET	1	
7-2	5752515380	BODY,PUMP	1	
7-3	4422515180	PUMP,PRIMING	1	
7-4	4762515120	COVER,DIAPHRAGM	1	
7-5	44725108200	BULB,PRIMING	1	
7-6	~ ~ ~	DIAPHRAGM,METERING	1	~ Contained in Carb Repair Kit #650.25140.900
7-7	~ ~ ~	GASKET,DIAPHRAGM	1	(Not available individually)
7-8	~ ~ ~	DIAPHRAGM,PUMP	1	
7-9	~ ~ ~	GASKET,PUMP	1	
7-10	5992000W38	JET,MAIN #38	1	
7-11	55025100200	O-RING	1	
7-12	48925100200	RING,STOP	1	
7-13	53925120200	SWIVEL	1	
7-14	48825145800	VALVE, THROTTLE	1	
7-15	54825140200	SCREW,THROTTLE SET	2	
7-20	5482515120	SCREW,SET	4	
7-201	57825007200	SCREEN,INLET	1	



ITEM	PART NUMBER	DESCRIPTION	QTY	COMMENTS
8-1	2890706080	SHAFT,CLUTCH	1	
8-3	99350012002	RING,STOP,C-12 EX	1	
8-5	5990712021	CUSHION,ANTI-VIBE	1	
8-6	99051050163	BOLT,HEX,5X16	1	
8-8	99461050254	BOLT,HEX HOLE,5X25S	1	
8-11	1120712480	CASE,FAN,(ORANGE)	1	
8-15	3600099620	PIPE HOLDER,TPE	1	
8-26	99201050061	WASHER,5	1	
8-27	3243735020	WASHER,GEAR CASE	1	
8-28	3610099020	FITTING,METAL	1	

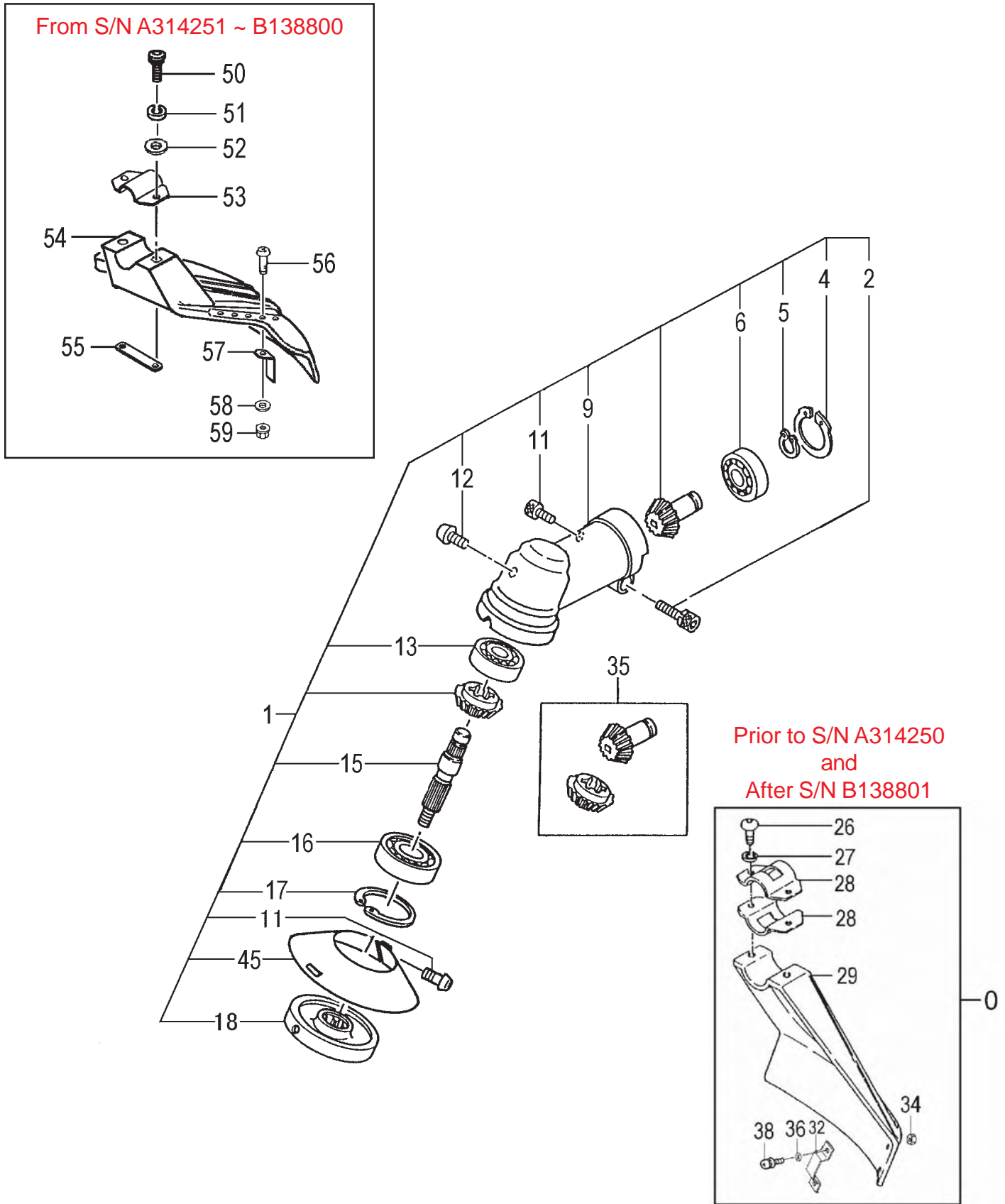


ITEM	PART NUMBER	DESCRIPTION	QTY	COMMENTS
9-1	0353846680	SHAFT,DRIVE A	1	
9-2	3413846680	DRIVE SHAFT PIPE	1	
9-3	3473836090	BUSHING	3	
9-20	2803846690	CASE,JOINT	1	
9-21	3203331820	SPACER	1	
9-22	36033315200	SPACER	1	
9-23	8011020520	WASHER,CLUTCH	1	
9-24	99350010002	RING,STOP,C-10 EX	1	
9-25	87132600200	WASHER,SPECIAL,B	1	
9-26	5123338P20	KNOB,HANDLE	1	
9-27	99021060504	BOLT,6X50	1	
9-28	99053060353	HEX, HOLE BOLT 6X35	1	
9-29	99210060062	WASHER,S,6	1	
9-30	99200060061	WASHER,BLACK,6	1	
9-31	99142060012	NUT,CAP 6	1	
9-32	99461050124	BOLT,HEX,5X12S	1	
9-33	3413846680	DRIVE SHAFT PIPE	1	
9-34	3473836090	BUSHING	3	
9-35	0363819020	SHAFT,DRIVE B	1	
9-36	3473846620	BUSHING	1	
9-40	99210050062	WASHER,S,5	1	

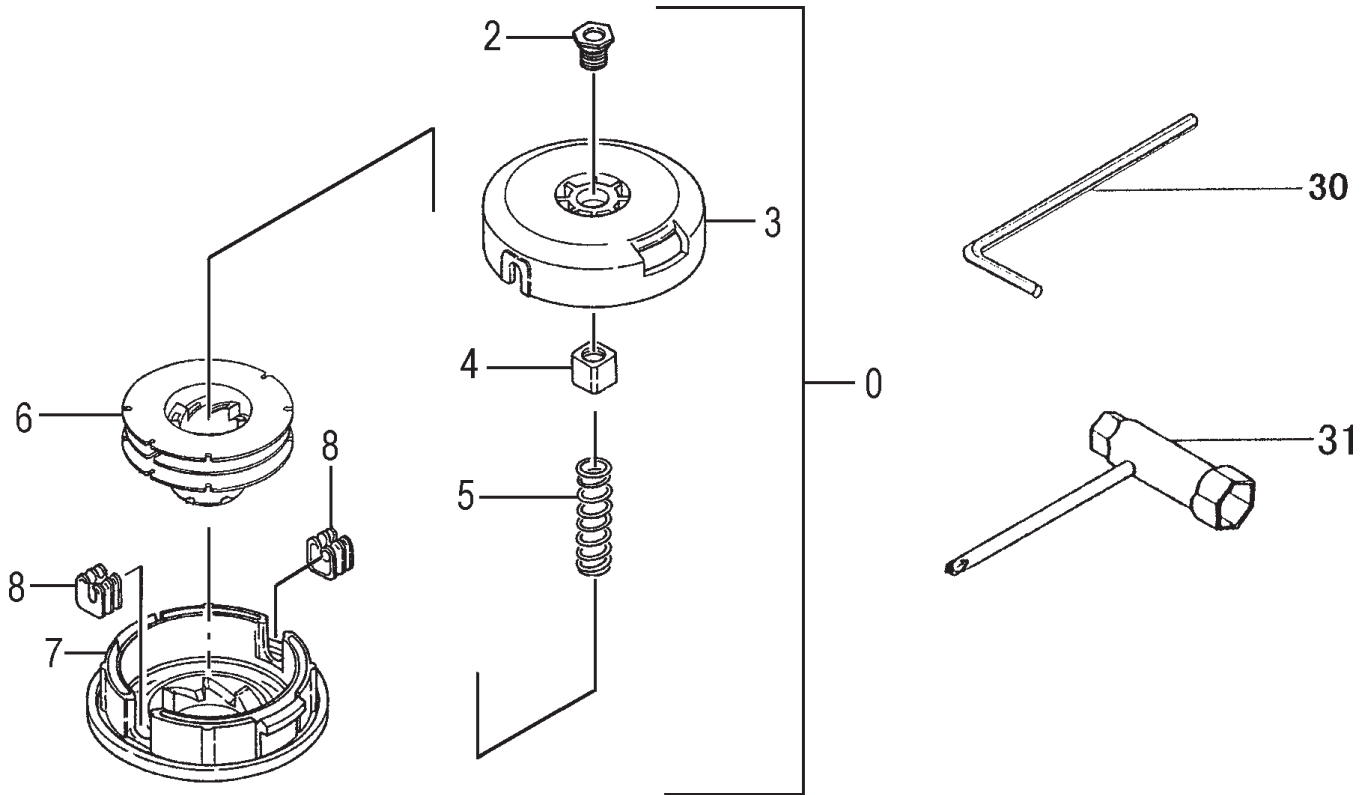


THROTTLE LEVER, HANDLE & STRAP • FIGURE 10

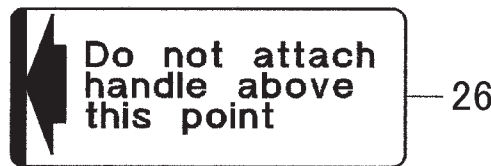
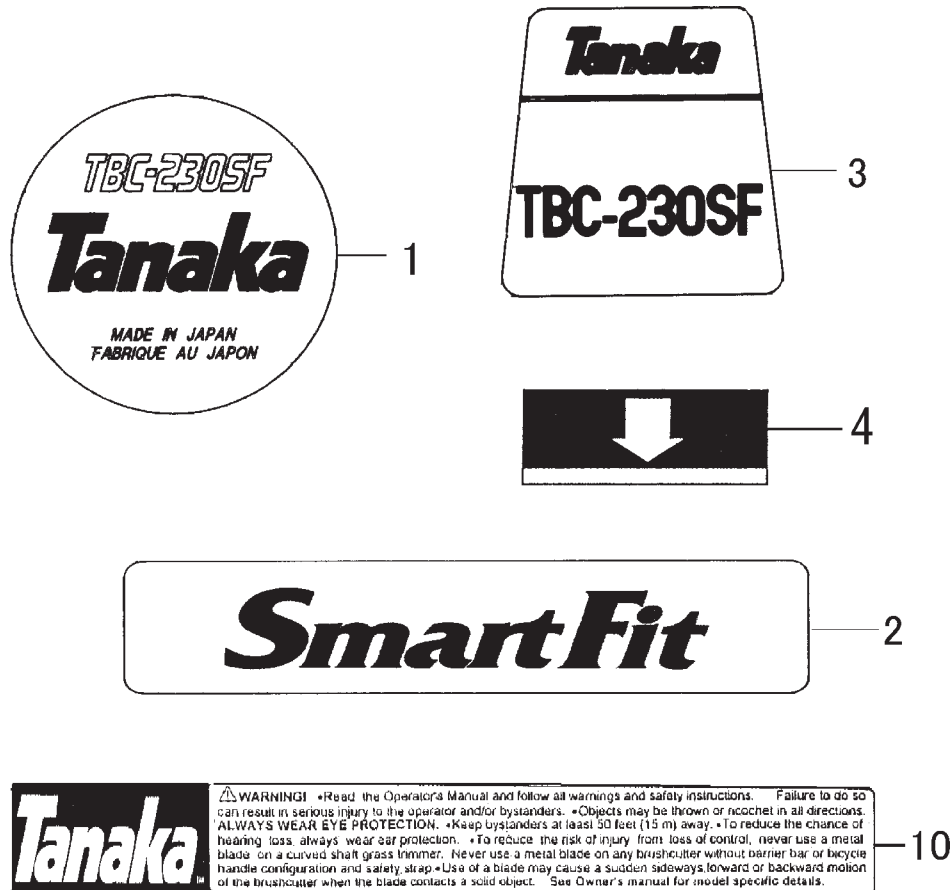
ITEM	PART NUMBER	DESCRIPTION	QTY	COMMENTS
10-4	99101050041	NUT,5	3	
10-5	5003845120	HANDLE,FRONT	1	
10-7	99416050302	SCREW,5x30,WS	3	
10-9	8853845191	THROTTLE WIRE SET	1	Includes swivel cap
10-16	3343836020	COLLAR,HANGER	1	
10-17	3353836090	HANGER,24	1	
10-18	3373836080	HANGER BRACKET	1	
10-19	99416050252	SCREW,5X25WS	1	
10-25	8703845190	LEVER,THROTTLE ASSY	1	
10-41	8803845120	LEVER,THROTTLE	1	
10-42	8323845120	SPRING,RETURN	1	
10-43	1623845120	BUTTON,STOP	1	
10-44	9253845120	DECAL,STOP SWITCH	1	
10-45	1563845180	SWITCH,STOP	1	
10-46	99011050301	SCREW,5X30	3	
10-47	99101050011	NUT,5	3	
10-48	1640701701	TUBE,PROTECTION,7x170	1	
10-49	5093845320	GRIP,SHAFT	1	
10-50	746191	STRAP,SHOULDER,PSS-175	1	



ITEM	PART NUMBER	DESCRIPTION	QTY	COMMENTS
11-0	4413782090	SAFETY GUARD KIT	1	
11-1	3003845190	CASE, GEAR ASSY	1	
11-2	99461050254	BOLT, HEX HOLE, 5X25S	1	
11-4	99351024002	RING, STOP, C-24, IN	1	
11-5	99350009002	RING, STOP, C9	1	
11-6	99961609002	BEARING, BALL, #609Z	1	
11-9	3003836021	CASE, GEAR	1	
11-11	99416050121	SCREW, 5X12/PS	2	
11-12	3163815020	BOLT, FITTING, M8	1	
11-13	99961626000	BEARING, BALL, #626	1	
11-15	3043845120	SHAFT, GEAR	1	
11-16	99961600003	BEARING, BALL, #6000D	1	
11-17	99351026002	RING, STOP, IN, C-26	1	
11-18	3103836020	HOLDER, CUTTER	1	
11-26	99053060203	BOLT, HEX, 6X20	2	Prior to S/N A314250 and After S/N B138801
11-27	99210060062	WASHER, S, 6	2	Prior to S/N A314250 and After S/N B138801
11-28	4423741720	BRACKET, SAFETY GUARD	2	Prior to S/N A314250 and After S/N B138801
11-29	4413782080	GUARD, SAFETY	1	Prior to S/N A314250 and After S/N B138801
11-32	7973782020	LIMITER, LINE	1	Prior to S/N A314250 and After S/N B138801
11-34	99101040011	NUT 4	2	Prior to S/N A314250 and After S/N B138801
11-35	3013836000	GEAR & PINION SET	1	
11-36	99201040011	WASHER 4	2	Prior to S/N A314250 and After S/N B138801
11-38	99414040121	SCREW, 4x12S	2	Prior to S/N A314250 and After S/N B138801
11-45	3033836020	COVER, GEAR CASE	1	
11-50	99053060303	SCREW, 6X30	2	From S/N A314251 ~ S/N B138800
11-51	99210060062	WASHER, S, 6	2	From S/N A314251 ~ S/N B138800
11-52	99201060061	WASHER, 6	2	From S/N A314251 ~ S/N B138800
11-53	4423845120	BRACKET, GUARD	1	From S/N A314251 ~ S/N B138800
11-54	4413845120	SAFETY GUARD	1	From S/N A314251 ~ S/N B138800
11-55	4453825320	GUARD HOLDER	1	From S/N A314251 ~ S/N B138800
11-56	99011050151	SCREW, 5X15	1	From S/N A314251 ~ S/N B138800
11-57	7973782020	BLADE	1	From S/N A314251 ~ S/N B138800
11-58	99201050011	WASHER, 5	1	From S/N A314251 ~ S/N B138800
11-59	99174050010	NUT-U, 5	1	From S/N A314251 ~ S/N B138800



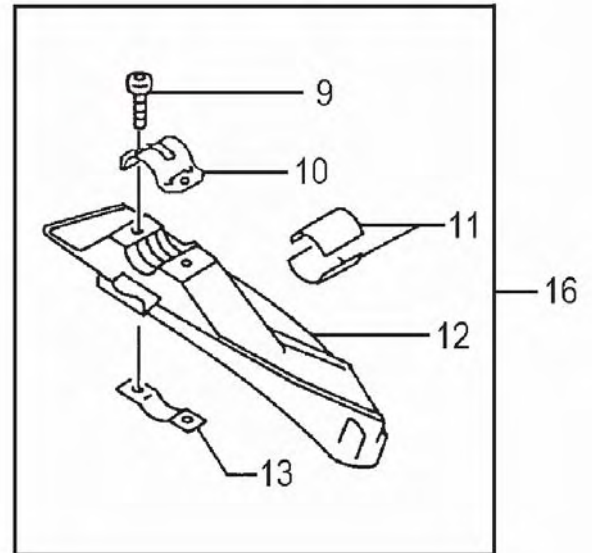
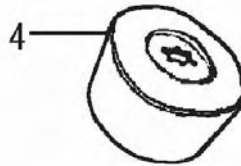
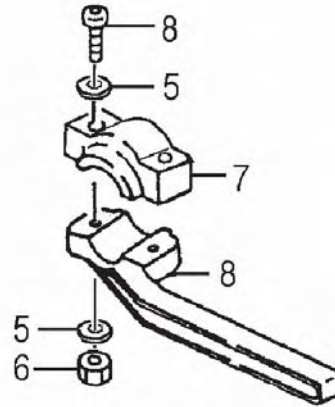
ITEM	PART NUMBER	DESCRIPTION	QTY	COMMENTS
12-0	746451	HEAD,SEMI-AUTO,5"	1	
12-2	3563383E20	ADAPTER,746451,8x1.25 LHF	1	
12-3	7863383020	BODY,CUTTING	1	
12-4	3153383020	NUT,SPECIAL	1	
12-5	7933383020	SPRING,REEL	1	
12-6	7873383020	REEL	1	
12-7	7893383020	CAP,BODY	1	
12-8	7883383020	EYELET	2	
12-30	81320000200	WRENCH,HEX,4	1	
12-31	8292000080	SPANNER,COMBI,13X19	1	



ITEM	PART NUMBER	DESCRIPTION	QTY	COMMENTS
13-1	9060716120	DECAL,TBC-230SF	1	
13-2	9293846620	DECAL,SMART FIT	1	
13-3	9290715420	DECAL,TBC-230SF	1	
13-4	9293370020	DECAL	1	
13-10	9193782020	DECAL,CAUTION A	1	
13-18	9233728620	DECAL,LEVEL	1	
13-26	9233738F20	DECAL,LEVEL	1	



Single Shoulder Strap
Model#: 746191



WARNING! Read the owners manual and follow all warnings and safety instructions. Failure to do so can result in serious injury to the operator and/or bystanders. Never attempt to mount a steel blade to a machine that is not specifically designed for that purpose. Never attempt to mount a steel blade without using all components of the blade attachment kit, including shoulder strap and barrier safety bar.

ITEM	PART NUMBER	DESCRIPTION	QTY	COMMENTS
4	3113844020	CAP,CUTTER HOLDER	1	Kit used on TBC-225, 230, 245PF, 2500, TBC-225S, TBC-255PF
5	99201060061	WASHER,6	4	
6	99101060041	NUT,6	2	
7	5063730020	BRACKET,HANDLE,A	1	
8	5203727720	BARRIER BAR 24MM	1	
9	99053060403	BOLT,HEX,6X40	2	
10	4423369921	BRACKET,SAFETY GUARD	1	
11	44437609200	SPACER,BRACKET	2	
12	4413738020	GUARD,SAFETY	1	
13	4453738020	HOLDER,GUARD	1	
14	3133754720	NUT,FIXING L.H. 8X1.25	1	Includes mounting bracket/hardware
15	3273718090	PIN,COTTER 2X20 (10 PACK)	1	
16	30060	KIT,BLADE GUARD	1	
18	746191	STRAP,SHOULDER,PSS-175	1	

Date: February 2005

Model & Serial: TBC-230SF

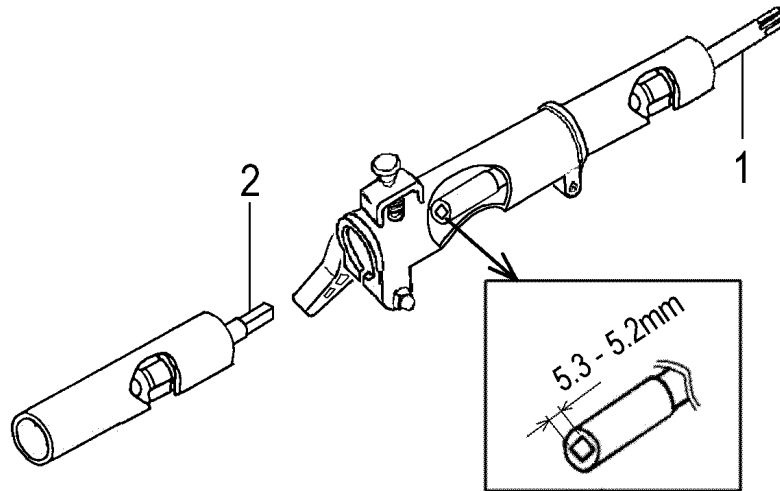
A211451 – A211750

Reason: We have discovered that some quantities of drive shaft A (#1) were produced with the incorrect square hole not allowing drive shaft B (#2) to connect.

Comments: The correct size square hole is 5.3 ~ 5.2mm. If the hole is any smaller replace the drive shaft A (#1).

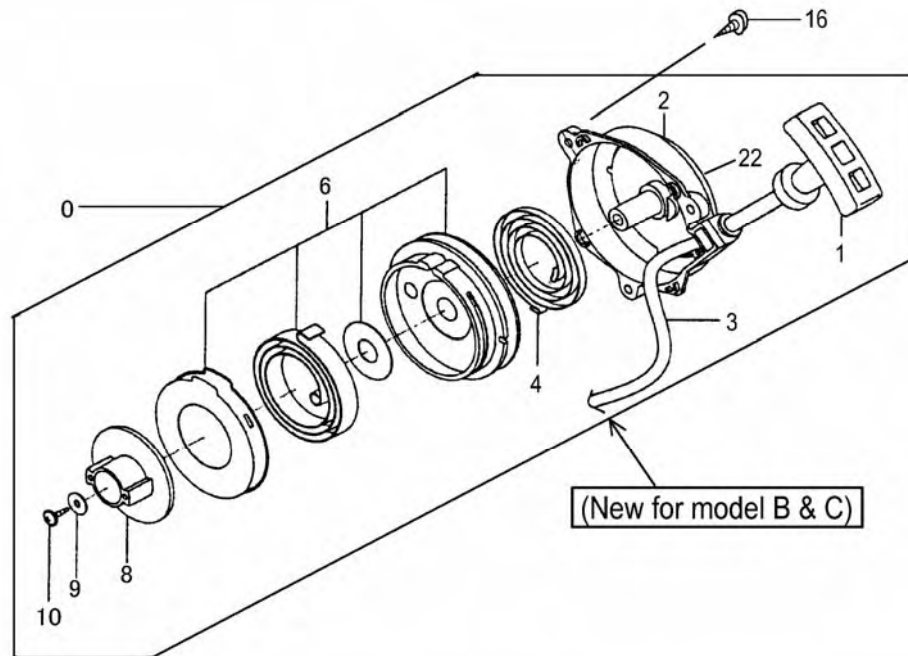
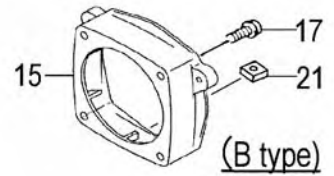
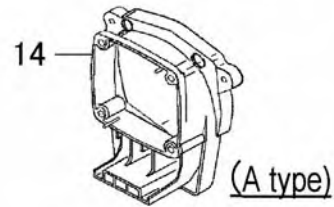
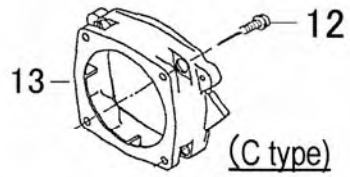
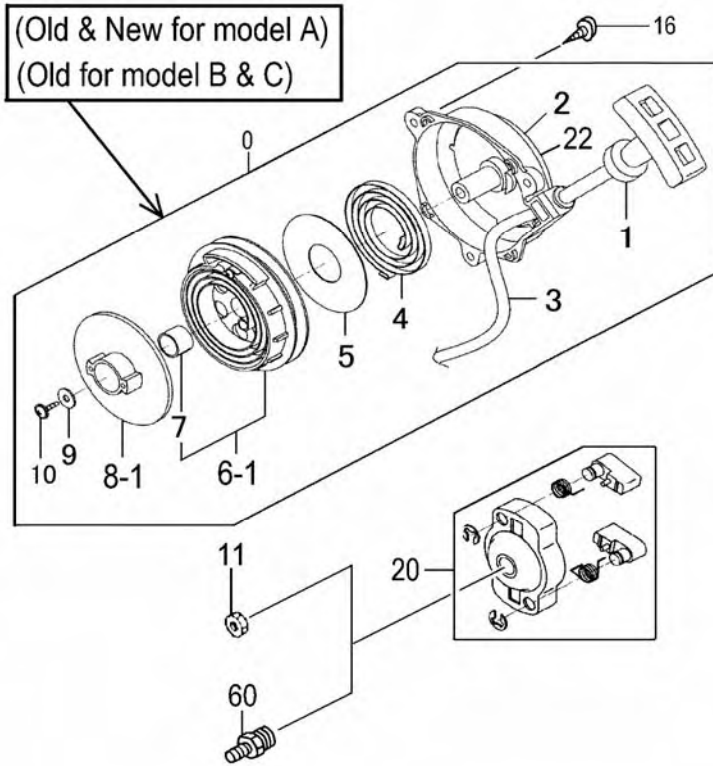
Part Number Information:

Description	New parts #
Drive shaft A	035-38466-80



S · START KIT

	Order Number
A --- TBC2501/D, TPH2501, TPS-2501, TPE2501	748733
B --- TBC230/230B/230D	748744
C --- TBC290/290D/340/340D	748732



S-Start Parts Information

REF. NUMBER	PART NUMBER	DESCRIPTION	Q'TY		
			A	B	C
	756-07075-00	S·START KIT (TBC2501)	1		
	756-07120-00	S·START KIT (TBC230)		1	
	756-07027-00	S·START KIT (TBC290)			1
000	762-07075-90	RECOIL STARTER BODY ASS'Y	1		
000	762-07085-90	RECOIL STARTER BODY ASS'Y		1	
000	762-07027-90	RECOIL STARTER BODY ASS'Y			1
001	785-07085-20	STARTER HANDLE	1	1	1
002	772-07085-80	RECOIL STARTER BODY COMP,	1	1	1
003	783-07085-20	RECOIL ROPE	1	1	1
004	780-07085-20	RECOIL SPRING	1	1	1
005	786-07085-20	SPRING PLATE	1	1	1
006,1	778-07027-90	RECOIL SPRING CASE ASS'Y	1		1
006,1	778-07085-90	RECOIL SPRING CASE ASS'Y		1	
006,1	778-07075-90	RECOIL SPRING CASE ASS'Y	1		
006	778-07085-91	SORING CASE ASS'Y		1	1
007	328-07085-20	STARTER BUSH	1	1	1
008,1	774-07075-20	STARTER PULLEY	1		
008,1	774-07085-20	STARTER PULLEY		1	
008,1	774-07027-20	STARTER PULLEY			1
008	774-07085-21	STARTER PULLEY		1	
009	182-07085-20	SPECIAL WASHER 5.2X15	1	1	1
010	990-72050-144	TAPPING SCREW 5X14	1	1	1
011	991-01080-011	HEX. NUT 8			1
012	994-64040-185	HEX. HOLE BOLT 4X18WS			4
013	806-07027-20	STARTER BASE			1
014	806-07070-20	STARTER BASE	1		
015	806-07120-20	STARTER BASE		1	
016	990-73045-144	TAPPING SCREW 4.5X14	3	3	3
017	994-64040-125	HEX. HOLE BOLT 4X12WS		4	
020	798-07085-90	STARTER PULLEY ASS'Y	1	1	1
021	991-91050-001	SQUARE NUT 5		1	
022	915-07078-20	STARTER MARK (S·START)	1	1	1
060	314-07070-20	SPECIAL BOLT	1		