

# **Tanaka** Illustrated Parts Manual

Model Number:

**TBC-250**

**GRASS TRIMMER / BRUSHCUTTER**

P/N 10768

Rev 003

Date 8-31-06



*Supplier To The Outdoor Power Equipment Industry*

Tanaka America • 1028 4<sup>th</sup> Street SW Ste "B" • Auburn, WA 98001 • Phone: (253) 333-1200 • Fax: (253) 333-1212

**WHILE QUANTITIES LAST!**

## TBC-250

Grass Trimmer / Brush Cutter



### Features / Benefits

- **24cc, 1.2 hp engine** features two piston rings and a stress relieved, chrome plated cylinder for long engine life.
- **Sound reduction system™** special air intake and muffler design reduces engine noise up to 44 percent.
- **Fully automatic BRAIN® cutting head** senses when more line is needed, always feeds out the perfect length, and keeps the engine speed at peak cutting performance.
- **Heavy-duty anti-vibration system** includes a padded front handle and heavy-duty rubber mount between the engine and shaft.
- **1 / 2 / 5 Warranty Coverage** provides **One-Year** coverage for professionals, **Two-Year** Coverage for Homeowners, and **Five Years** on the Electronic Ignition Module.

#### Specifications

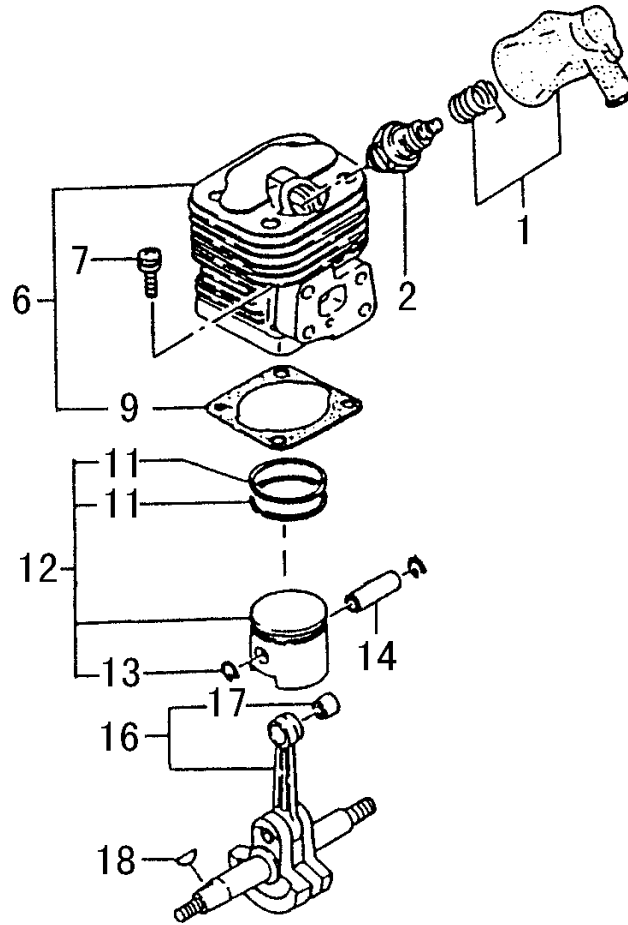
Engine Displacement cc (cu. in.)	24 (1.4)
Power (h.p.)	1.2
Cylinder	Chrome Plated, Stress Relieved
Carburetion	Walbro Diaphragm with Primer
Ignition System	Transistorized Electronic
Fuel Tank Capacity / fl. oz. (cc)	25.8 (780)
Anti-Vibration	Engine Mount & Handle
Clutch System	Heavy-Duty Centrifugal
Shaft Support	5 Shaft Bearings
Drive System	7mm Solid Steel Shaft
Standard Cutting Head	BRAIN Automatic Feed (.095" Line)
Dry Weight / lbs. (kg) w/head	12.4 (5.6)

#### Optional Accessories:

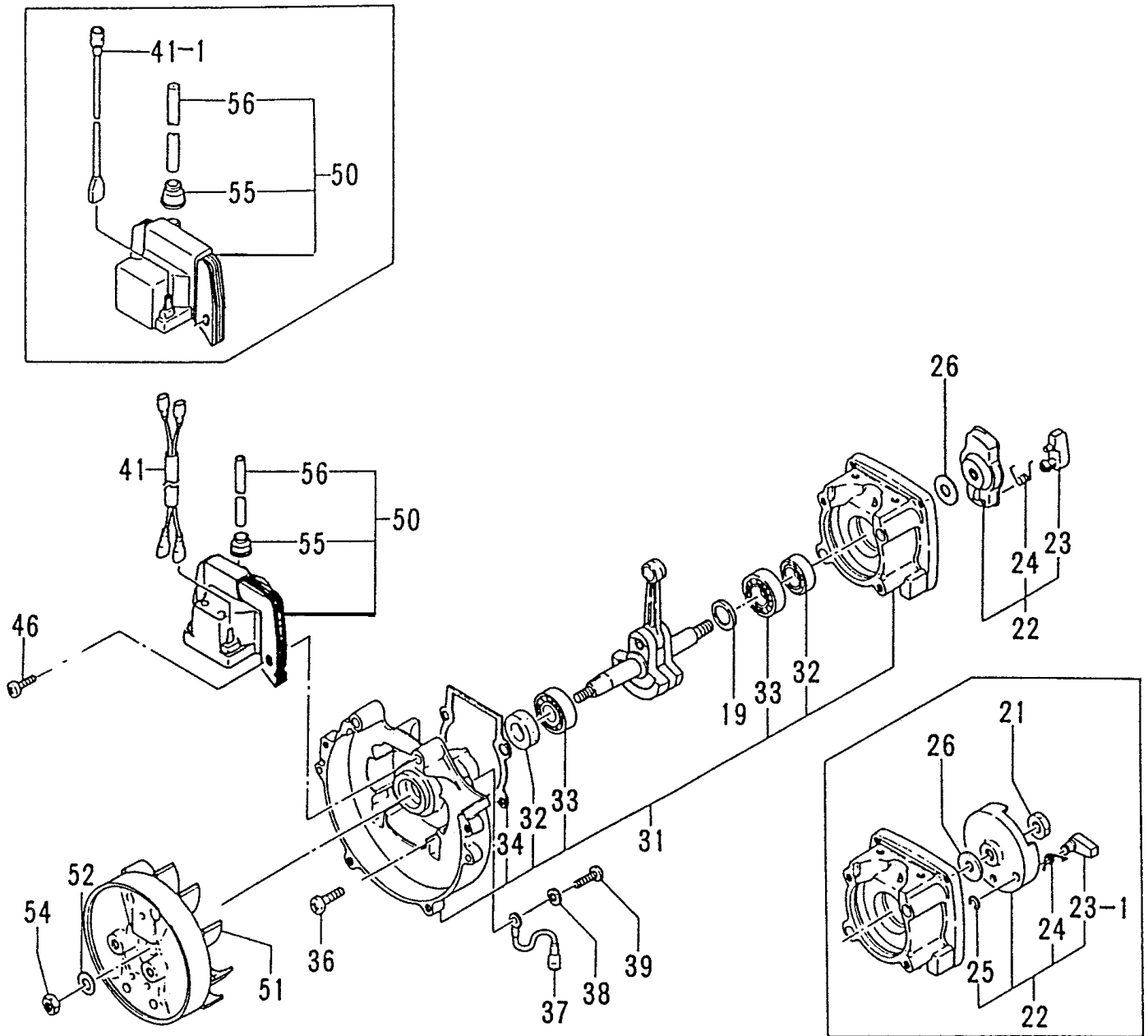
ORDER #	DESCRIPTION
746251	BRAIN® Auto feed head (TH-95)
746280	Aluminum fixed line head
746290	Aluminum manual feed head
746353	6" semi-auto head
746451	5" semi-auto head
746551	4" manual feed head
746191	Single shoulder strap
746291	Deluxe shoulder harness
Varies	Assorted brush & weed blades
748501	Blade conversion kit*
748502	Dual handle kit
TMC-200	Cultivator attachment
TPS-200	Pole Saw attachment
TPH-200	Pole Hedge Trimmer attachment
Varies	Perfect Mix 2-Cycle Engine Oil

\* May require blade guard kit

All data and specifications are subject to change without notice  
For more information, contact:



ITEM	PART NUMBER	DESCRIPTION	QTY	COMMENTS
1	1570097A900	CAP, SPARK PLUG, ASS'Y	1	
2	0181166021	PLUG, SPARK	1	
6	0010099F90	SET, CYLINDER	1	Includes gasket
7	99414050181	SCREW, S, 5X18	4	
9	01700980200	GASKET, CYLINDER	1	
11	04101601200	RING, PISTON	2	
12	0300099F90	SET, PISTON	1	Includes rings and circlips
13	03901620200	CIRCLIP, PISTON PIN	2	
14	03701601200	PIN, PISTON	1	
16	0460631A81	CRANKSHAFT	1	Includes bearing
17	99962081225	BEARING, NEEDLE, F-810	1	
18	06810100200	KEY, WOODRUFF, 3X13X4.5	1	



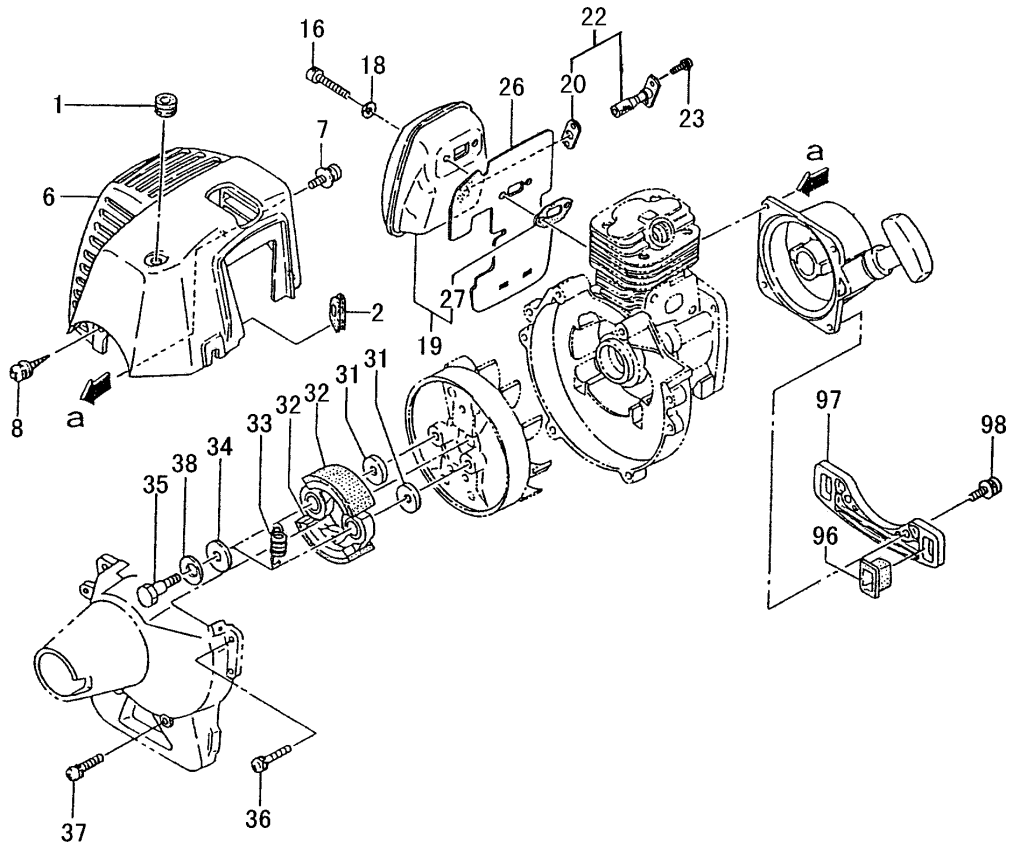
### CRANKCASE, FLYWHEEL, IGNITION, PAWLS • FIGURE 2

ITEM	PART NUMBER	DESCRIPTION	QTY	COMMENTS
19	33000200210	SHIM,12.2X19X.10	1	
19	33000200220	SHIM,12.2X19X.15	1	
19	33000200230	SHIM,12.2X19X.20	1	
19	33000200240	SHIM,12.2X19X.30	1	
21	99101080011	NUT,8	1	~L170133
22	79806500900	PULLEY,STARTER,ASS'Y	1	
23-1	78806097200	PAWL,STARTER	1	~L170133
23	7880650020	PAWL,STARTER	1	L170134~
24	79006097200	SPRING,STARTER PAWL	1	
25	99355005000	RING,STOP,5	1	~L170133
26	35910112203	WASHER,CLUTCH B	1	
31	07200980900	CRANKCASE,ASS'Y	1	
32	99966122206	SEAL,OIL,#TC12227	2	
33	99961600100	BEARING,BALL,#6001	2	
34	09006097200	GASKET,CRANKCASE	1	
36	99414050251	SCREW,5X25	4	
37	2740631A800	CORD,EARTH	1	~L307753
38	99210040012	WASHER,S,4	1	~L307753
39	99011040081	SCREW,4X8	1	~L307753
41-1	1780631A800	CORD,STOP,360mm	1	~L307753
41-1	1780128080	CORD,STOP,380mm	2	~N159150
41	1780655080	CORD,STOP,180mm	1	N159151~
46	99416050201	SCREW,5X20/WS	2	
50	16720516900	COIL,IGNITION	1	~L307753
50	1672052190	COIL,IGNITION	1	L307754~
51	1552050880	ROTOR,MAGNETO	1	
52	99201070011	WASHER,7	1	
54	06600000200	NUT,FLYWHEEL	1	
55	56020517200	CAP,RUBBER	1	
56	26420516200	LEAD,HIGH TENSION	1	



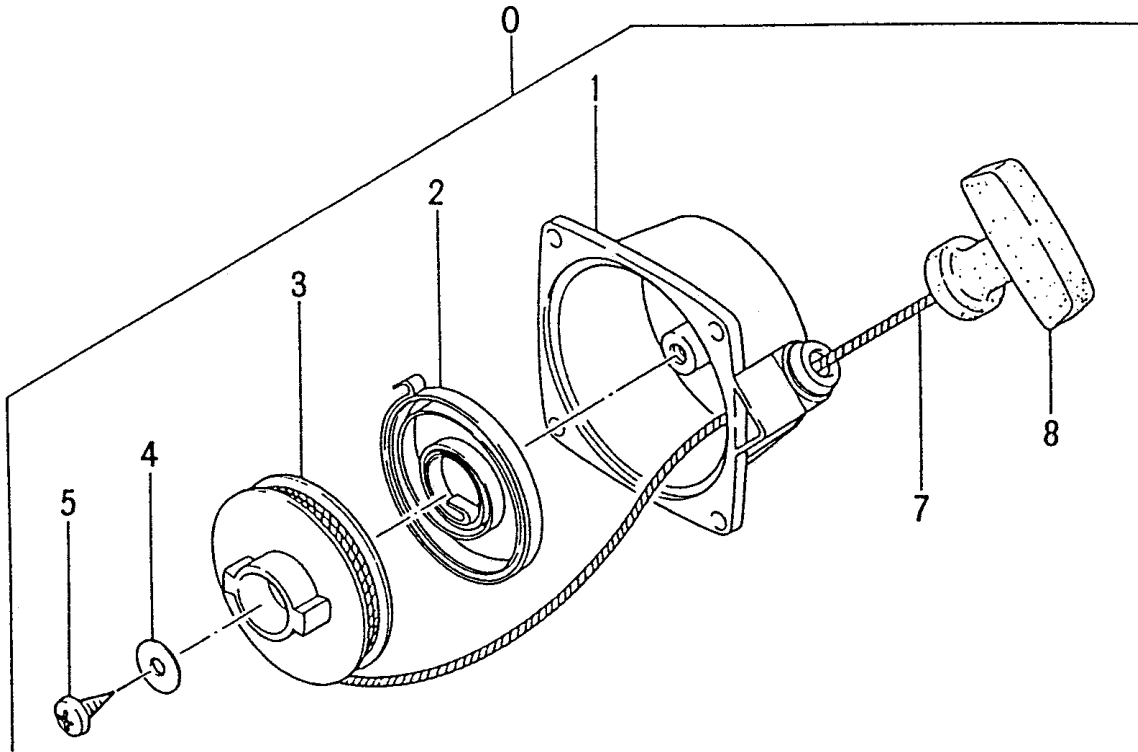
ITEM	PART NUMBER	DESCRIPTION	QTY	COMMENTS
41	4030631A20	GASKET,INLET MANIFOLD	1	
42	4040099F90	SET,CARB INSULATOR	1	Includes gasket
45	99416050221	SCREW,5X22/WS	2	
46	4020602K21	GASKET,CARBURETOR	1	
47	99101060013	NUT,6	1	~N159150
53	4360162V20	BASE,CLEANER	1	
54	52800980200	PLATE,CHOKE	1	
55	99967008012	O-RING,S-8	1	
56	4700602N200	COLLAR,CLEANER	1	
57	4230637C800	BODY,CLEANER	1	
58	99200050011	WASHER,SMALL,5	2	
60	99414050571	SCREW,5X57,S	2	
61	4460637C200	ELEMENT,CLEANER	1	
62	0510099F90	SET,CLEANER COVER	1	
63	3800637C200	BOLT,CLEANER COVER	1	
70	44225143800	PUMP,PRIMING ASS'Y	1	
71	5950650A90	CAP,TANK	1	~T251647
71	5950656B90	CAP,FUEL BLACK,NON VENT	1	T251648~
78	7000250408	PIPE,FUEL,2.5x4x80	2	
79	53432710200	GROMMET,FUEL PIPE	1	
86	2230162V900	PIPE,FUEL,ASS'Y	1	
87	68000731201	CLIP 6.3	1	
89	6750404280	FILTER,FUEL	1	
91-1	5910645D20	TANK,FUEL	1	~T251647
91	5910099520	TANK,FUEL	1	T251648~
96	65500940201	CUSHION,FUEL TANK	4	
121	5640661190	VENT,AIR ASS'Y	1	T251648~
122	5650503220	PIPE,AIR VENT	1	T251648~
123	6460661290	VALVE	1	T251648~
124	68000731201	CLIP 6.3	1	T251648~
125	5610007020	COVER,AIR VENT	1	T251648~

CLUTCH, MUFFLER, COVER • FIGURE 4

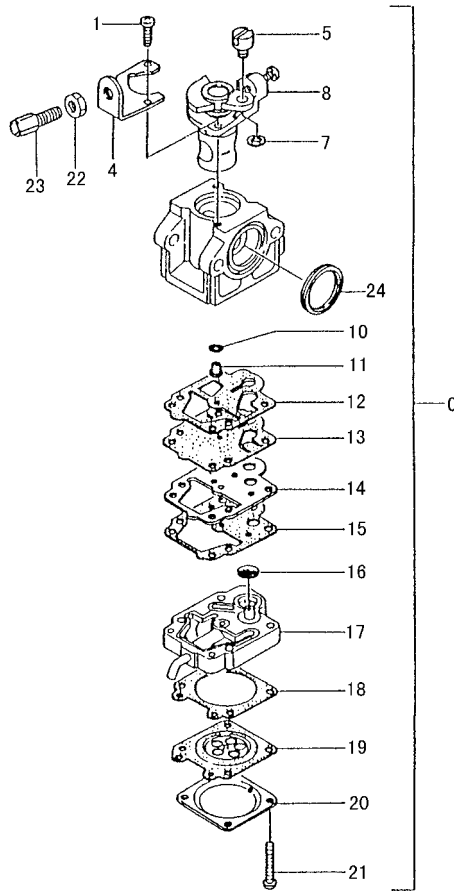


ITEM	PART NUMBER	DESCRIPTION	QTY	COMMENTS
1	20201003201	GROMMET,SECONDARY CORD	1	
2	2030631A200	GROMMET	1	
6	7380631A201	PROTECTOR,MUFFLER	1	
7	99415040222	SCREW,PS,4X22	2	
8	99415040122	SCREW,4X12/PS	2	~P211650
8	99072045164	SCREW,TAPPING,4.5X16	2	P211651~
16	99051050503	BOLT,HEX,5X50	2	
18	99201050011	WASHER,5	2	
19	7040652A90	SET, MUFFLER	1	
20	75104200201	GASKET,MUFFLER	1	
22	7210659090	PIPE,TAIL	1	
23	99434040081	SCREW,4X8/S	2	
26	1330631A201	SHIELD,HEAT	1	
27	7370610021	GASKET,MUFFLER	1	
31	35902103200	WASHER,CLUTCH,B	2	
32	29001620800	SHOE,CLUTCH	2	
33	3420630B200	SPRING,CLUTCH	1	
34	3480602R200	WASHER,CLUTCH A	2	
35	3570075T200	BOLT,STEP	2	
36	99416050202	SCREW,5X20/WS	2	
37	99416050422	SCREW,5X42/WS	2	
38	99205080030	WASHER,8	2	
96	65500940201	CUSHION,FUEL TANK	4	
97	6530631A200	BRACKET,TANK	1	
98	99415040222	SCREW,PS,4X22	2	

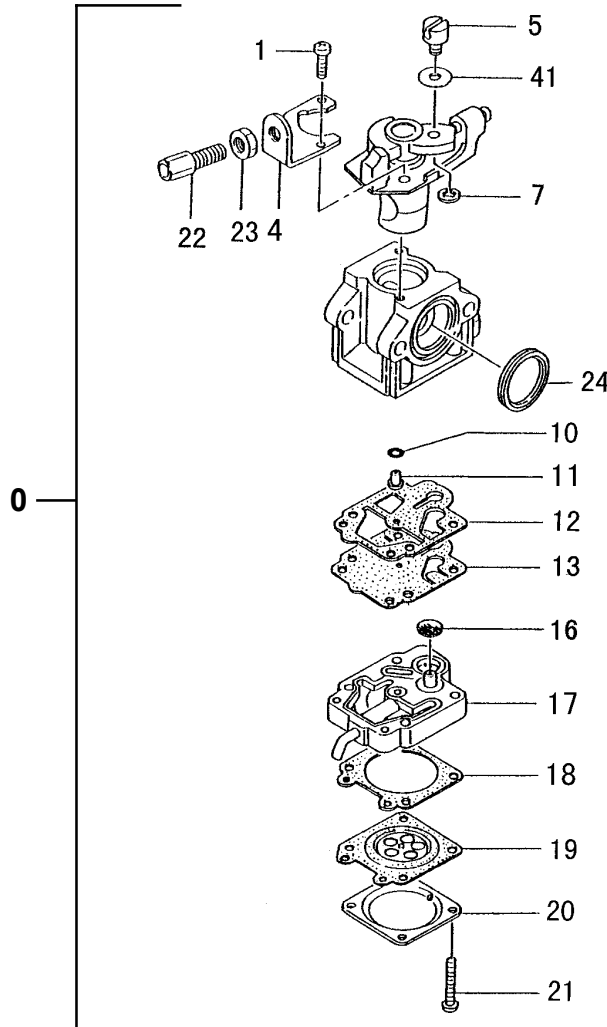




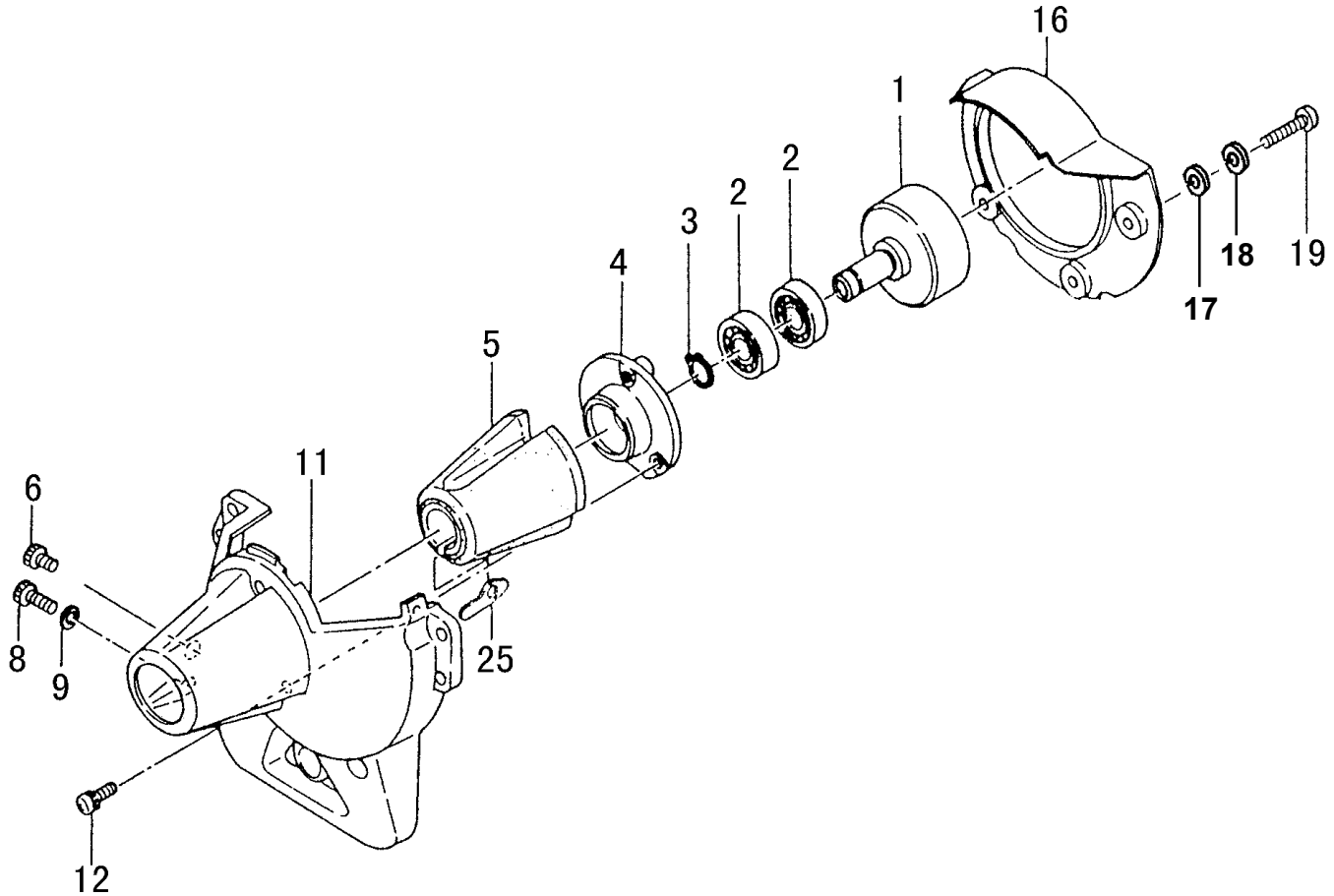
ITEM	PART NUMBER	DESCRIPTION	QTY	COMMENTS
0	76206097902	STARTER,RECOIL ASS'Y	1	
1	7720609700	SET,STARTER BODY	1	
2	78006097200	SPRING,RECOIL	1	
3	77406097200	PULLEY,STARTER	1	
4	80106091200	WASHER,ROPE REEL	1	~Q008100
5	99015050121	SCREW,5X12	1	~L170133
5	8390201020	SCREW,SET	1	L170134~
7	78306097200	ROPE,STARTER	1	
8	78506097200	HANDLE,STARTER	1	



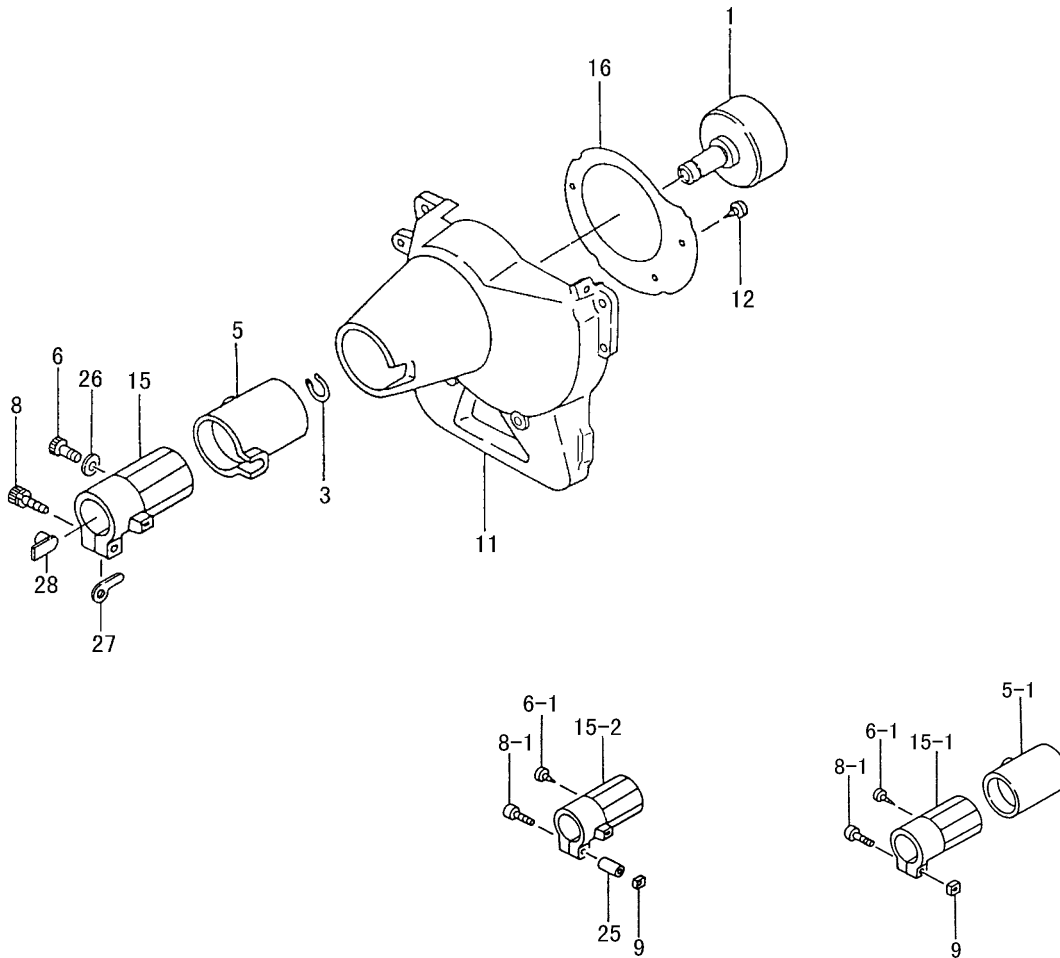
ITEM	PART NUMBER	DESCRIPTION	QTY	COMMENTS
0	45525144900	CARBURETOR,ASS'Y	1	~N159150
0	4552516090	CARBURETOR,ASS'Y	1	N159151 thru N283271
1	51425100200	SCREW,THROTTLE SET	2	
4	54425120200	STAY,ADJUST,CABLE	1	
5	53925120200	SWIVEL	1	
7	48925100200	RING,STOP	1	
8	48825129800	VALVE,THROTTLE	1	
10	55025100200	O-RING	1	
11	5992000W430	JET,MAIN,#43	1	
12	~ ~ ~	GASKET,PUMP	1	~ Parts not available individually
13	~ ~ ~	DIAPHRAGM,PUMP	1	Order #650.25124.900 Carb Kit
14	52325100201	PLATE,PUMP	1	
15	52225100200	PLATE,CIRCUIT	1	
16	57825007200	SCREEN,INLET	1	
17	57525130800	BODY,PUMP	1	
18	~ ~ ~	GASKET,DIAPHRAGM	1	
19	~ ~ ~	DIAPHRAGM,METERING	1	
20	47625004200	COVER,DIAPHRAGM	1	
21	54825101200	SCREW,SET	4	
22	99101060013	NUT,6	1	N159151~
23	61425137200	ADJUSTER,CABLE	1	N159151~
24	4310634C200	GASKET,CLEANER	1	



ITEM	PART NUMBER	DESCRIPTION	QTY	COMMENTS
0	4550099M90	CARBURETOR SET	1	S283271~
1	51425100200	SCREW, THROTTLE SET	2	
4	54425164200	STAY, ADJUST, CABLE	1	
5	53925120200	SWIVEL	1	
7	48925100200	RING, STOP	1	
10	55025100200	O-RING	1	
11	5992000W430	JET, MAIN, #43	1	
12	~ ~ ~	GASKET, PUMP	1	~ Parts not available individually Order #650.25124.900 Carb Kit
13	~ ~ ~	DIAPHRAGM, PUMP	1	
16	57825007200	SCREEN, INLET	1	
17	5752514780	BODY, PUMP ASS'Y	1	
18	~ ~ ~	GASKET, DIAPHRAGM	1	
19	~ ~ ~	DIAPHRAGM, METERING	1	
20	47625004200	COVER, DIAPHRAGM	1	
21	54825101200	SCREW, SET	4	
22	61425137200	ADJUSTER, CABLE	1	
23	99101060013	NUT, 6	1	
24	4310634C200	GASKET, CLEANER	1	
41	5492516520	WASHER, THRUST	1	



ITEM	PART NUMBER	DESCRIPTION	QTY	COMMENTS
1	2890631A802	DRUM,CLUTCH	1	~P211650
2	99961600102	BEARING,BALL,#6001Z	2	
3	99350012002	RING,STOP,C-12 EX	1	
4	3740631A20	FLANGE,CLUTCH	1	
5	5990631A802	CUSHION	1	
6	99051050103	BOLT,HEX.HOLE,5X10	1	
8	99051050203	BOLT,HEX.HOLE,5X20	1	
9	99210050062	WASHER,S,5	1	
11	1120631A201	CASE,FAN	1	
12	99414050122	SCREW,S,5X12	3	
16	0910631A200	SHIELD,HEAT	1	
17	99201040011	WASHER,4	3	
18	99210040012	WASHER,S,4	3	
19	99011040121	SCREW,4X12	3	
25	2490165A21	SPACER	1	

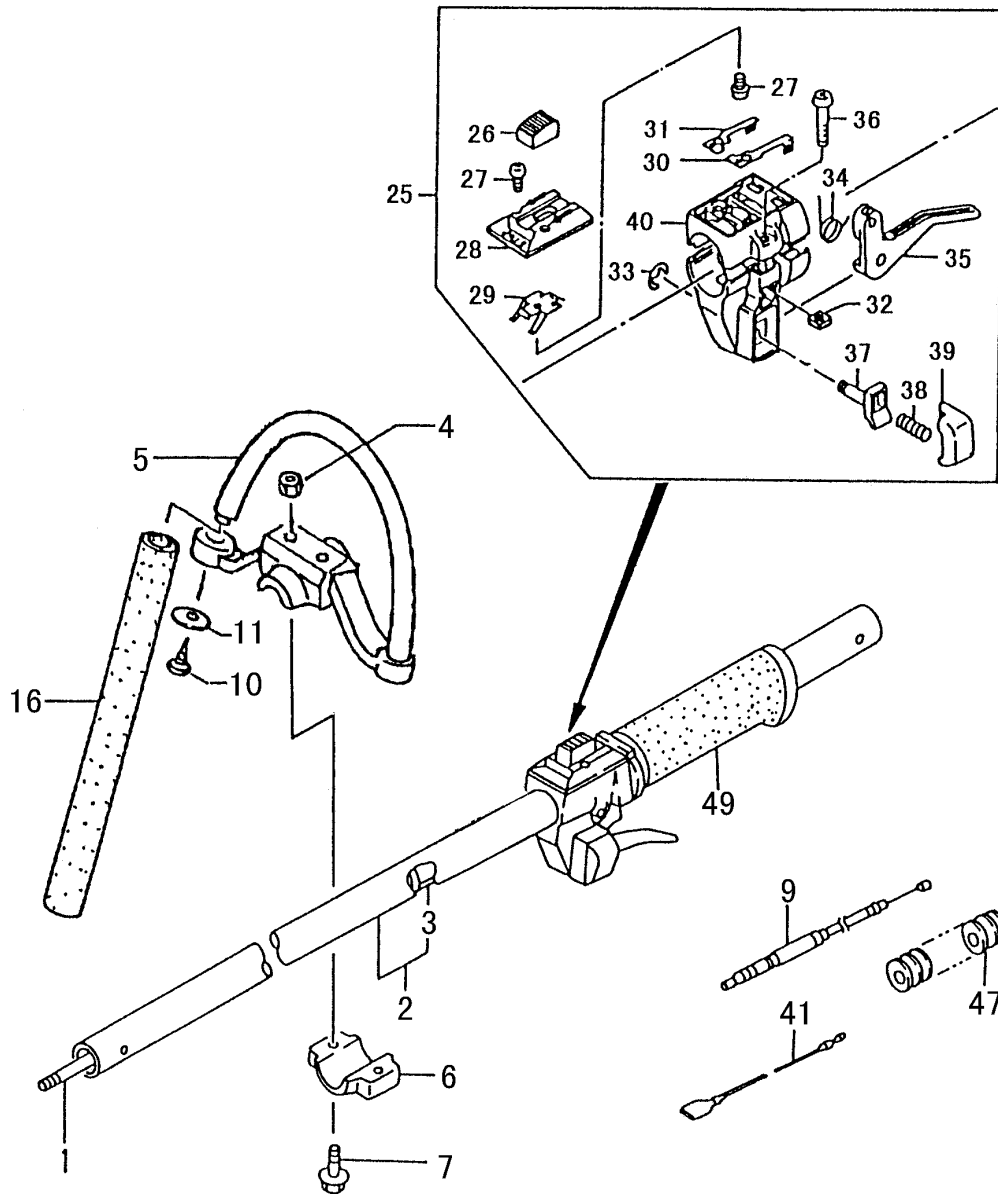


ITEM	PART NUMBER	DESCRIPTION	QTY	COMMENTS
1	2890098080	DRUM,CLUTCH	1	P211651~
3	99350012002	RING,STOP,C-12 EX	1	P211651~
5-1	5990098020	CUSHION,RUBBER	1	~S015030
5	5990098021	CUSHION,RUBBER	1	S015031~
6-1	99074045164	SCREW,TAPPING 4.5x16	1	~T185696
6	99051050163	BOLT,HEX,5X16	1	T185397~
8-1	99054050203	BOLT,HEX,5X20	1	~S015030
8-1	99054050253	BOLT,HEX 5x25	1	~T185696
8	99461050254	BOLT,HEX HOLE,5X25S	1	T185697~
9	0960430020	COLLAR 6.3x18	1	S015031~
11	1120098081	CASE,FAN	1	P211651~
12	99072045164	SCREW,TAPPING,4.5X16	3	P211651~
15-1	3600098020	HOLDER,PIPE	1	~S015030
15-2	3600098021	HOLDER,PIPE	1	~T185696
15	3600099020	HOLDER,PIPE	1	T185697~
16	0910098020	SHIELD,HEAT	1	P211651~
25	99191050001	NUT,5	1	~T185696
26	99201050061	WASHER,5	1	T185697~
27	3243735020	WASHER,GEAR CASE	1	T185697~
28	3610099020	FITTING,METAL	1	T185697~



### HANDLE, THROTTLE LEVER, SHAFT • FIGURE 10

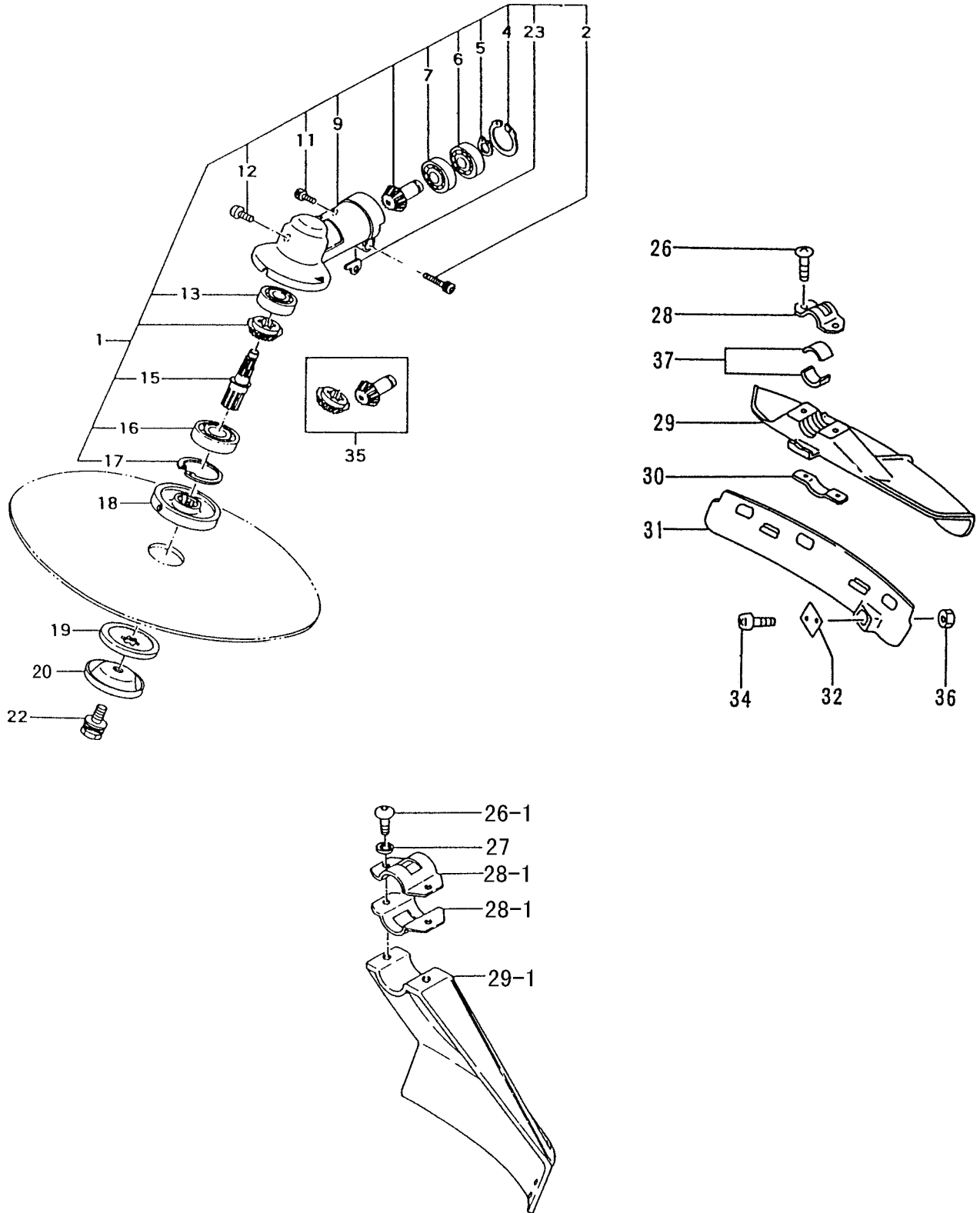
ITEM	PART NUMBER	DESCRIPTION	QTY	COMMENTS
1	34337300200	SHAFT,DRIVE	1	
2	3413762381	PIPE,DRIVE SHAFT	1	
3	34737601900	BUSHING	5	
10-1	99011060554	SCREW,6X55	2	~R218770
11-1	99210060062	WASHER,S,6	2	~R218770
12	76137400200	WASHER,A 2.3	2	~R218770
13	51337400200	HOLDER,HANDLE	2	~R218770
14	31937400200	CUSHION	4	~R218770
15	49037400800	HANDLE,INNER	1	~R218770
16-1	50337400200	GRIP,HANDLE	1	~R218770
17	99021060504	BOLT,6X50	2	~R218770
18	50037600200	HANDLE	1	~R218770
19	50637600200	BRACKET,HANDLE,A	1	~R218770
20	35902103200	WASHER,CLUTCH,B	2	~R218770
21	5123781080	KNOB,HANDLE	1	
22	99101060041	NUT,6	1	~R218770
25-1	87037300900	LEVER,THROTTLE ASSY	1	~T059506
26	1623710120	SWITCH,STOP	1	
27	99342030081	SCREW,TAPPING,3X8	3	
28	25937101200	BASE,STOP SWITCH	1	
29	26237101200	SPRING,STOP SWITCH	1	
30	17737101200	TERMINAL,EARTH B	1	
31	17637101200	TERMINAL,EARTH A	1	
32-1	99186050000	NUT,LOCK,5	1	~T059506
33	99355060001	RING,STOP,6	1	
34	83237101200	SPRING,RETURN	1	
35	88037101200	LEVER,THROTTLE	1	
36-1	99431050251	SCREW,S.,5X25	1	~T059506
37	85337101200	SHAFT,LOCK BUTTON	1	
38	95837101200	SPRING,LOCK,BUTTON	1	
39	95637101200	BUTTON,LOCK	1	
49	50437300200	GRIP,SHAFT	1	



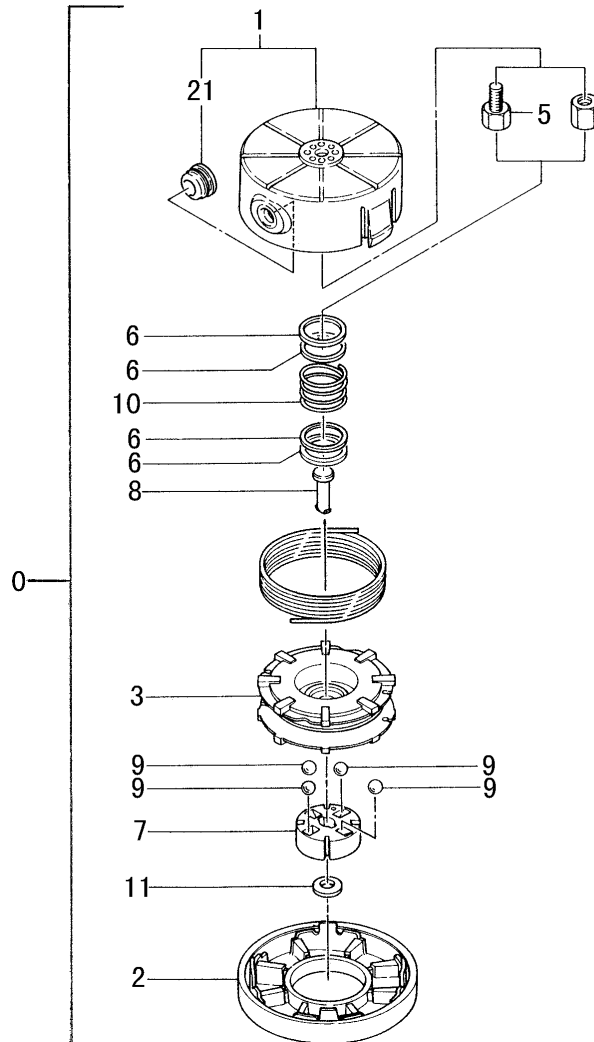


### HANDLE, THROTTLE LEVER, SHAFT • FIGURE 11

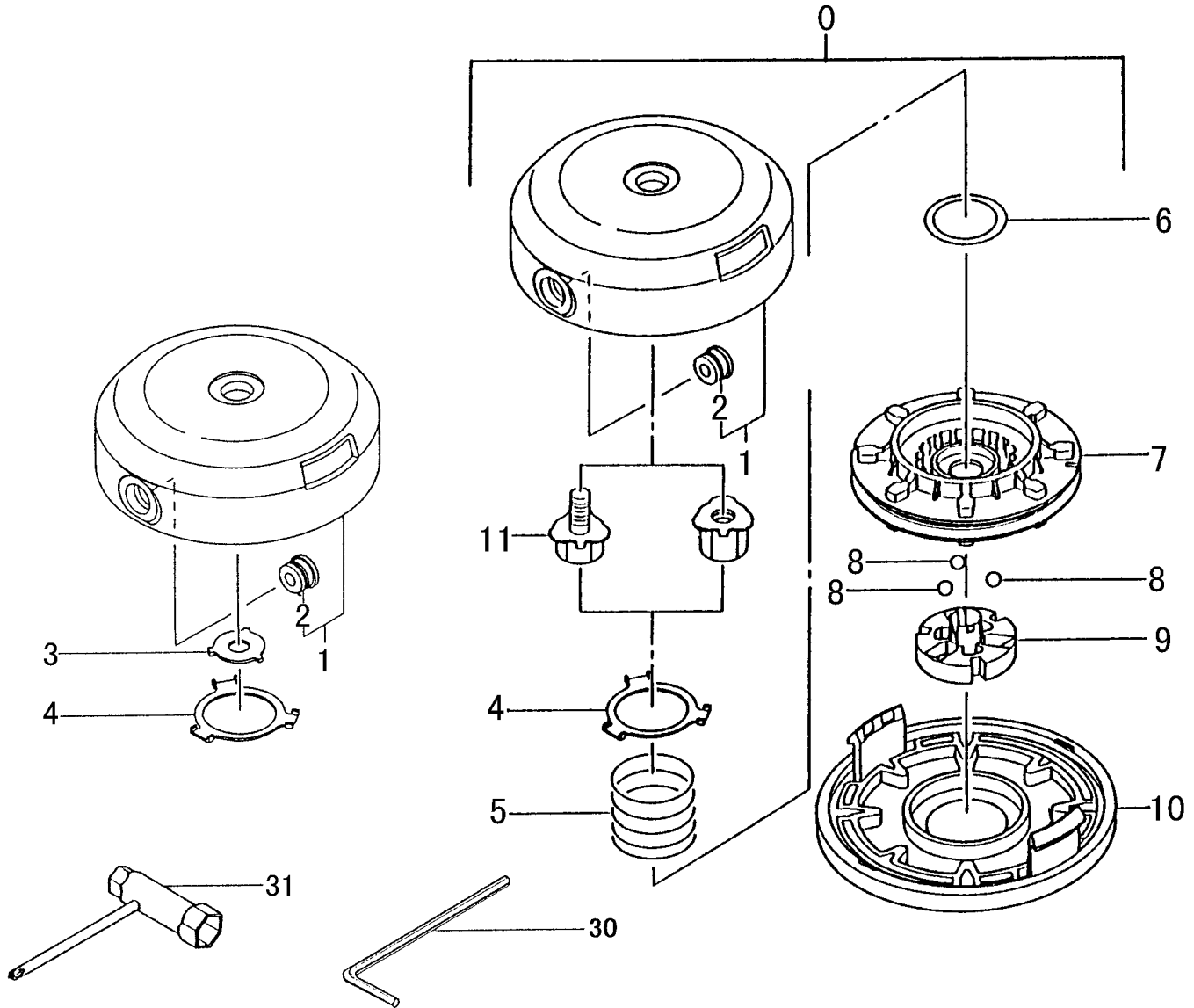
ITEM	PART NUMBER	DESCRIPTION	QTY	COMMENTS
1	34337300200	SHAFT,DRIVE	1	
2	3413762381	PIPE,DRIVE SHAFT	1	
3	34737601900	BUSHING	5	
4	99101060041	NUT,6	2	R218771~
5	5003728620	HANDLE	1	R218771~
6	50637300200	BRACKET,HANDLE,A	1	R218771~
7	99423060432	BOLT 6X43	2	R218771~
9	8853739480	WIRE,THROTTLE	1	N159151~
9	8850631A802	WIRE,THROTTLE	1	~N159150
10	99311052012	SCREW,TAPPING 5X20	1	R218771~
11	36832350200	WASHER,BRAKE SHAFT	1	R218771~
16	5033738E20	GRIP,HANDLE	1	R218771~
25	8703728690	LEVER,THROTTLE ASS'Y	1	T059507~
26	1623710120	SWITCH,STOP	1	
27	99342030081	SCREW,TAPPING,3X8	3	
28	25937101200	BASE,STOP SWITCH	1	
29	26237101200	SPRING,STOP SWITCH	1	
30	17737101200	TERMINAL,EARTH B	1	
31	17637101200	TERMINAL,EARTH A	1	
32	3153334020	NUT,SPECIAL 5MM	2	T059507~
33	99355060001	RING,STOP,6	1	
34	83237101200	SPRING,RETURN	1	
35	88037101200	LEVER,THROTTLE	1	
36	9943105020	SCREW,5X20	2	T059507~
37	85337101200	SHAFT,LOCK BUTTON	1	
38	95837101200	SPRING,LOCK,BUTTON	1	
39	95637101200	BUTTON,LOCK	1	
40	2603331720	BODY,STOP BUTTON,B	1	~T059507
41	17837300801	CORD,STOP 230mm	2	~N159150
41	1783739480	CORD,STOP 430mm	2	N159151~
47	16413014010	TUBE,PROTECTION	1	~N159150
47	1641001900	TUBE,PROTECTION	1	N159151~
49	50437300200	GRIP,SHAFT	1	



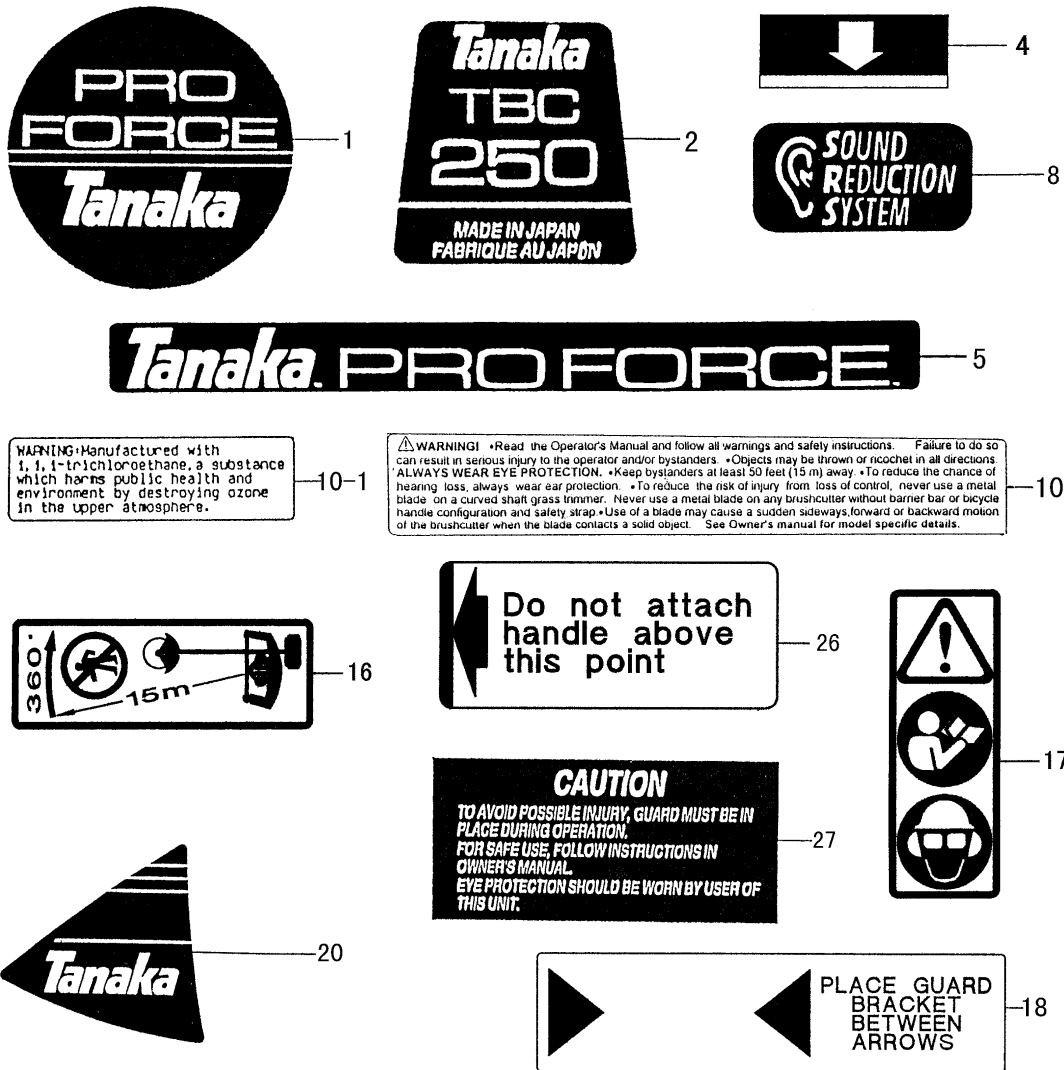
ITEM	PART NUMBER	DESCRIPTION	QTY	COMMENTS
1	3003741791	CASE, GEAR ASS'Y	1	
2	99461050254	BOLT, HEX HOLE, 5X25S	1	
4	99353022002	RING, STOP, R22 IN	1	
5	99350010002	RING, STOP, C-10 EX	1	
6	99961690001	BEARING, BALL, #6900ZZ	1	
7	99961690000	BEARING, BALL, #6900	1	
9	3003762320	CASE, GEAR	1	
11	99051050103	BOLT, HEX. HOLE, 5X10	1	
12	99423080100	BOLT, 8X10	1	
13	99961626000	BEARING, BALL, #626	1	
15	3043730720	SHAFT, GEAR	1	
16	99961600104	BEARING, BALL, #6001DD	1	
17	99351028002	RING, STOP, IN, C-28	1	
18	3103810020	HOLDER, CUTTER	1	
19	31137300203	CAP, CUTTER HOLDER	1	~T059506
20	31633410200	PROTECTOR, BOLT	1	~T059506
22	31237623200	BOLT, FIXING, W/WASHERS	1	~M218333
22	3123338620	BOLT, FIXING, L.H., FLANGED	1	~T059506
23	3243735020	WASHER, GEAR CASE	1	
26-1	99023060161	BOLT, 6X16 PLUS	2	~T059506
26-1	99053060253	BOLT, HEX, 6X25	2	~T251647
26	99481060254	SCREW, HEX HOLE 6X25	2	T251648~
27	99210060012	WASHER, S, 6	2	~T251647
28-1	44233905201	BRACKET, SAFETY GUARD	2	~Q214833
28-1	4423741720	BRACKET, SAFETY GUARD	2	~T059506
28	4423369921	BRACKET, SAFETY GUARD	2	T059507~
29-1	44133905800	GUARD, SAFETY	1	~T059506
29	4413738020	GUARD, SAFETY	1	T059507~
30	4453738020	HOLDER, GUARD	1	T059507~
31	4473738020	EXTENSION, GUARD	1	T059507~
32	7973738021	LIMITER, LINE	1	T059507~
34	99414050121	SCREW, S, 5X12	1	T059507~
35	3013730001	SET, GEAR/PINION	1	
36	99101050011	NUT, 5	1	T059507~
37	44437609200	SPACER, BRACKET	2	T059507~



ITEM	PART NUMBER	DESCRIPTION	QTY	COMMENTS
0	746251	HEAD,BRAIN (TH-95)	1	~Q151000
1	78633004900	BODY,CUTTING,ASS'Y	1	
2	7893300421	CAP,BODY	1	
3	78733004202	REEL,(R S M X)	1	
5	3143367020	BOLT,8X1.25 LH GOLD	1	
6	79233004200	WASHER,REEL	4	
7	79033004200	SLIDER,REEL	1	
8	79133004200	HOOK,REEL SLIDER	1	
9	6733560020	BALL,STEEL	4	
10	79333440200	SPRING,REEL,GOLD	1	
11	35802103200	WASHER,CLUTCH A	1	
21	7883307120	EYELET	2	



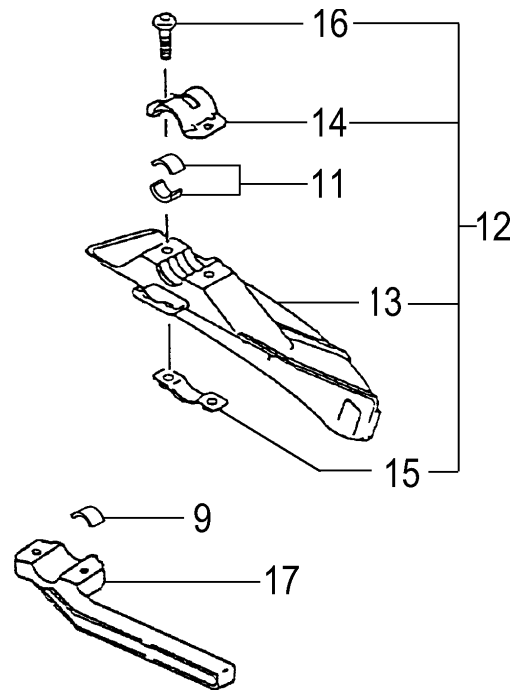
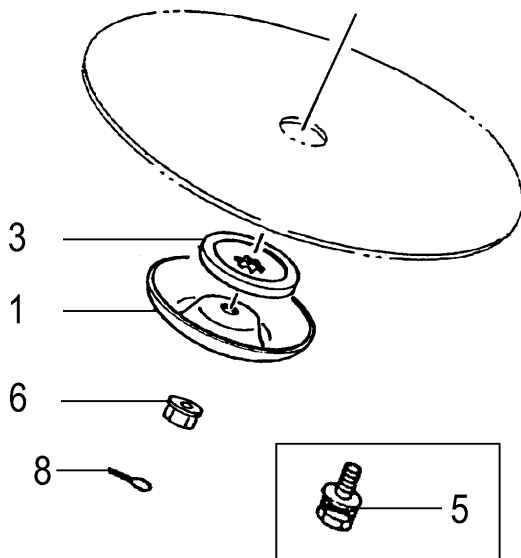
ITEM	PART NUMBER	DESCRIPTION	QTY	COMMENTS
0	746751	HEAD,BRAIN 2000	1	R218770~
1	7863381091	BODY,CUTTING	1	
2	7883307120	EYELET	2	
3	7603381020	WASHER,MOUNTING	1	~R218770
4	7853381020	BASE,ADJUSTMENT	1	
5	7933381022	SPRING,REEL,YELLOW	1	
6	7923381020	WASHER,ADJUSTMENT	1	
7	7873382120	REEL,TH-97B/RB	1	
8	6733560020	BALL,STEEL	3	
9	7903381020	SLIDER,REEL	1	
10	7893381020	CAP,BODY	1	
11	3143381280	BOLT,MOUNTING	1	T059507~
30	81320000200	WRENCH,HEX,4	1	
31	8292000080	SPANNER,COMBI,13X19	1	~M218333
31	8262000080	SPANNER,COMBI,17X19	1	M218334~



ITEM	PART NUMBER	DESCRIPTION	QTY	COMMENTS
1	95037503200	DECAL,PRO-FORCE A	1	
2	9063726420	DECAL,TBC-250	1	
4	92337400200	DECAL,LEVEL	1	
5	95131310200	DECAL,PRO-FORCE B	1	~T059506
5	95137503200	DECAL,PRO-FORCE B	1	T059507~
8	91106500200	DECAL,SRS	1	
10-1	9200650A20	DECAL,WARNING	1	N196701~
10-1	9200650A20	DECAL,WARNING	1	~Q260472
10	9193738F20	DECAL,CAUTION,A	1	T059507~
16	9193728620	DECAL,CAUTION	1	
17	9203246620	DECAL,CAUTION	1	
18	9233728620	DECAL,LEVEL	1	R136061~
20	93337301200	DECAL,SYMBOL	1	~T059506
26	9233738F20	DECAL,LEVEL	1	T059507~
27	91937701200	DECAL	1	~R136060



**WARNING!** Read the owners manual and follow all warnings and safety instructions. Failure to do so can result in serious injury to the operator and/or bystanders. Never attempt to mount a steel blade to a machine that is not specifically designed for that purpose. Never attempt to mount a steel blade without using all components of the blade attachment kit, including shoulder strap and barrier safety bar.



ITEM	PART NUMBER	DESCRIPTION	QTY	COMMENTS
1	30833410200	COVER,PROTECTION,B,8mm	1	8mm
1	3083786120	COVER,BOLT PROTECTOR,10mm	1	10mm
3	3113754720	CAP,CUTTER HOLDER,8mm	1	for use with 8x1.25 nut
3	3113815020	CAP,CUTTER HOLDER,10mm	1	for use with 10x1.25 nut
5	3123338620	BOLT,FLANGED,10x1.25,LH	1	10x1.25 bolt
6	3133754720	NUT,FIXING L.H. 8X1.25	1	8x1.25 nut
6	3133833220	NUT,FIXING L.H.,10X1.25	1	10x1.25 nut
8	3273718090	PIN,COTTER 2X20 (10 PACK)	1	
9	44437609200	SPACER,BRACKET	1	for use with barrier bar, 24mm shafts
11	44437609200	SPACER,BRACKET	2	
12	30060	KIT,BLADE GUARD	1	
13	4413738020	GUARD,SAFETY	1	
14	4423369921	BRACKET,SAFETY GUARD	1	
15	4453738020	HOLDER,GUIDE	1	
16	99481060254	SCREW,HEX HOLE 6X25	2	
17	5203339820	BAR,BARRIER 26mm	1	
18	746191	STRAP,SHOULDER,PSS-175	1	Includes mounting bracket/hardware