

Tanaka Illustrated Parts Manual

Model Number:

TBC-2501H

GRASS TRIMMER

P/N 41013

Rev 000

Date 2-27-08

Serial Numbers C263177 to C263752 Only

Important Notice

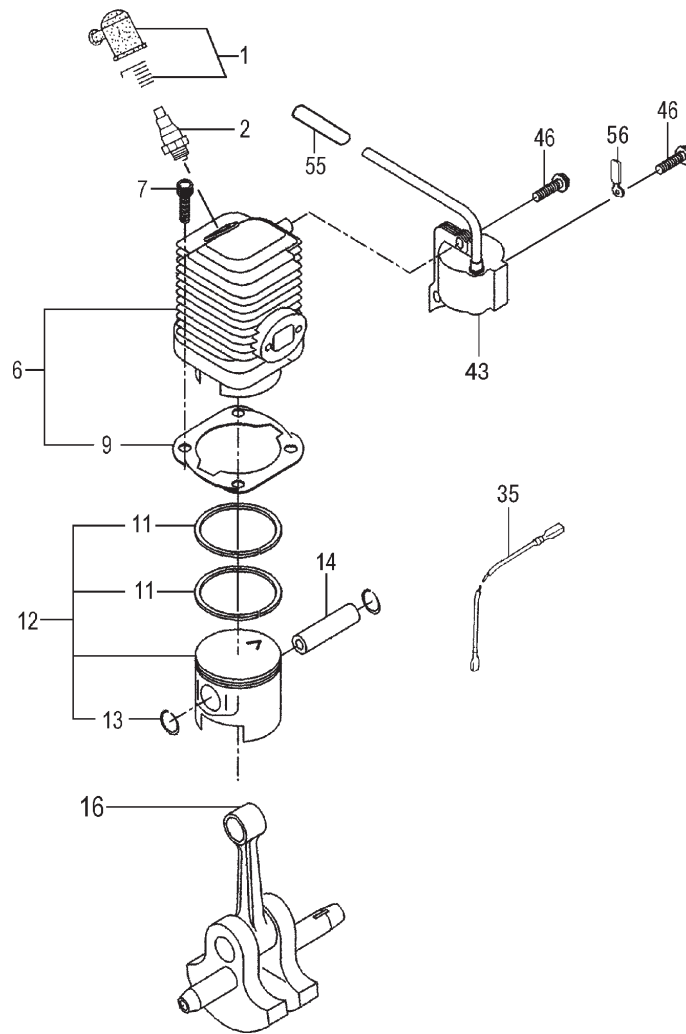
This is a model that was produced in limited quantities. If you have a unit in the serial number range shown above, use this parts book. If you do not, you should use the TBC-2501 parts book.



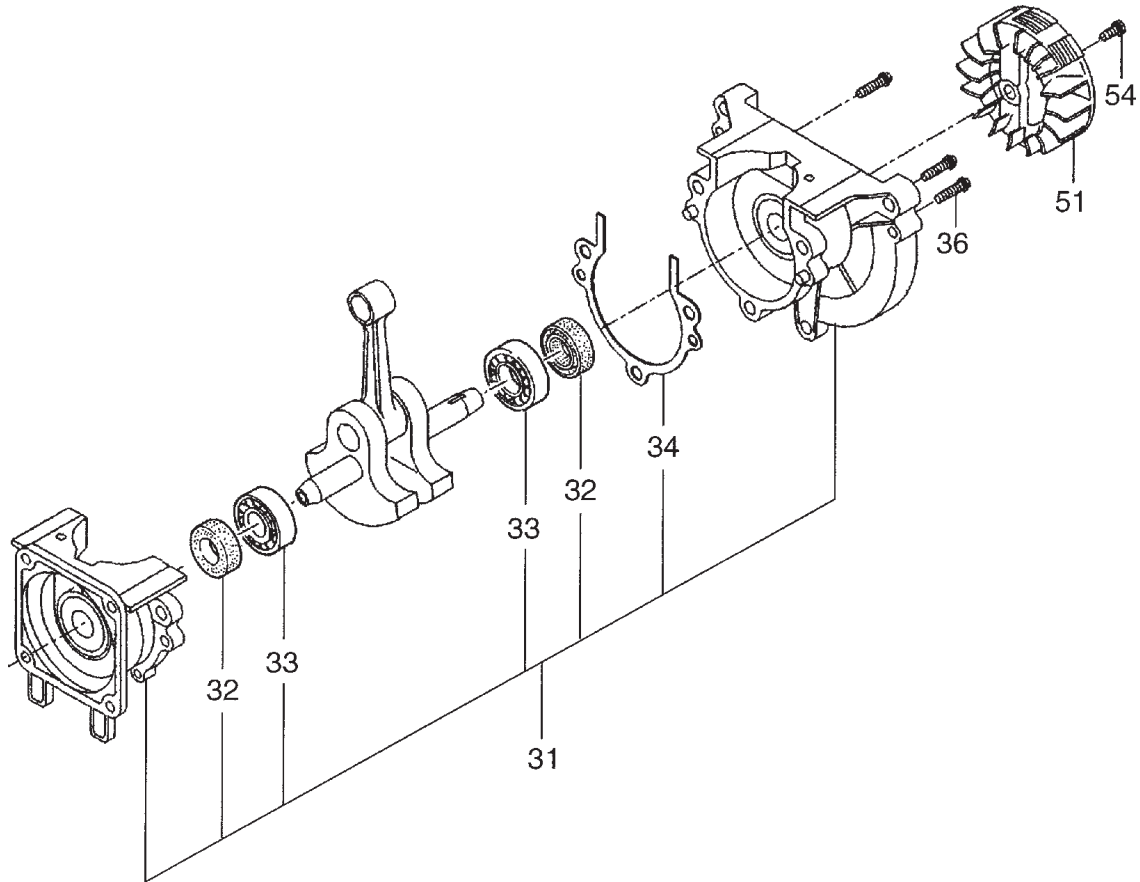
Supplier To The Outdoor Power Equipment Industry

Nikko Tanaka Engineering U.S.A.,Ltd. • 1028 4th Street SW, Bldg B • Auburn, WA 98001 • Phone: (253) 333-1200 • Fax: (253) 333-1212

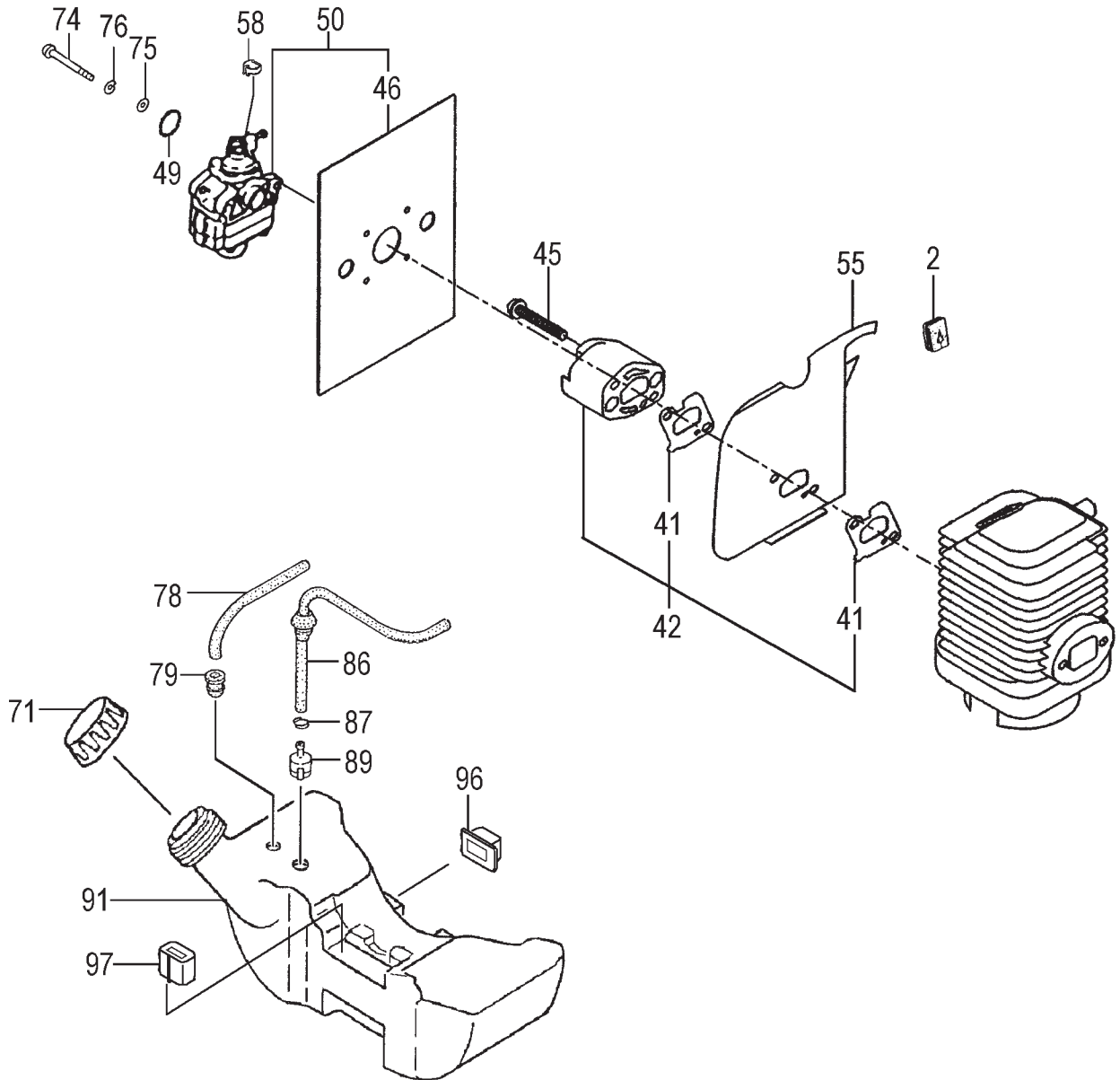
CYLINDER, PISTON, CRANKSHAFT, IGNITION • FIGURE 1



ITEM	PART NUMBER	DESCRIPTION	QTY	COMMENTS
1-1	15701570900	CAP, SPARK PLUG, ASSEMBLY	1	
1-2	01801805200	PLUG, SPARK	1	
1-6	0010706090	SET, CYLINDER	1	Includes gasket
1-7	99464050204	SCREW, 5X20, WS	2	
1-9	0170706020	GASKET, CYLINDER	1	
1-11	0410706020	RING, PISTON	2	
1-12	0300706590	PISTON SET	1	Includes piston rings and circlips
1-13	03901620200	CIRCLIP, PISTON PIN	2	
1-14	0370706520	PIN, PISTON	1	
1-16	0460706090	CRANKSHAFT	1	
1-35	1780603180	CORD, B260M	1	
1-43	1670706080	COIL, IGNITION	1	
1-46	99416040201	SCREW, 4x20 WS	2	
1-55	2500706020	TUBE, INSULATOR	1	
1-56	1980706020	CLAMP, CORD	1	

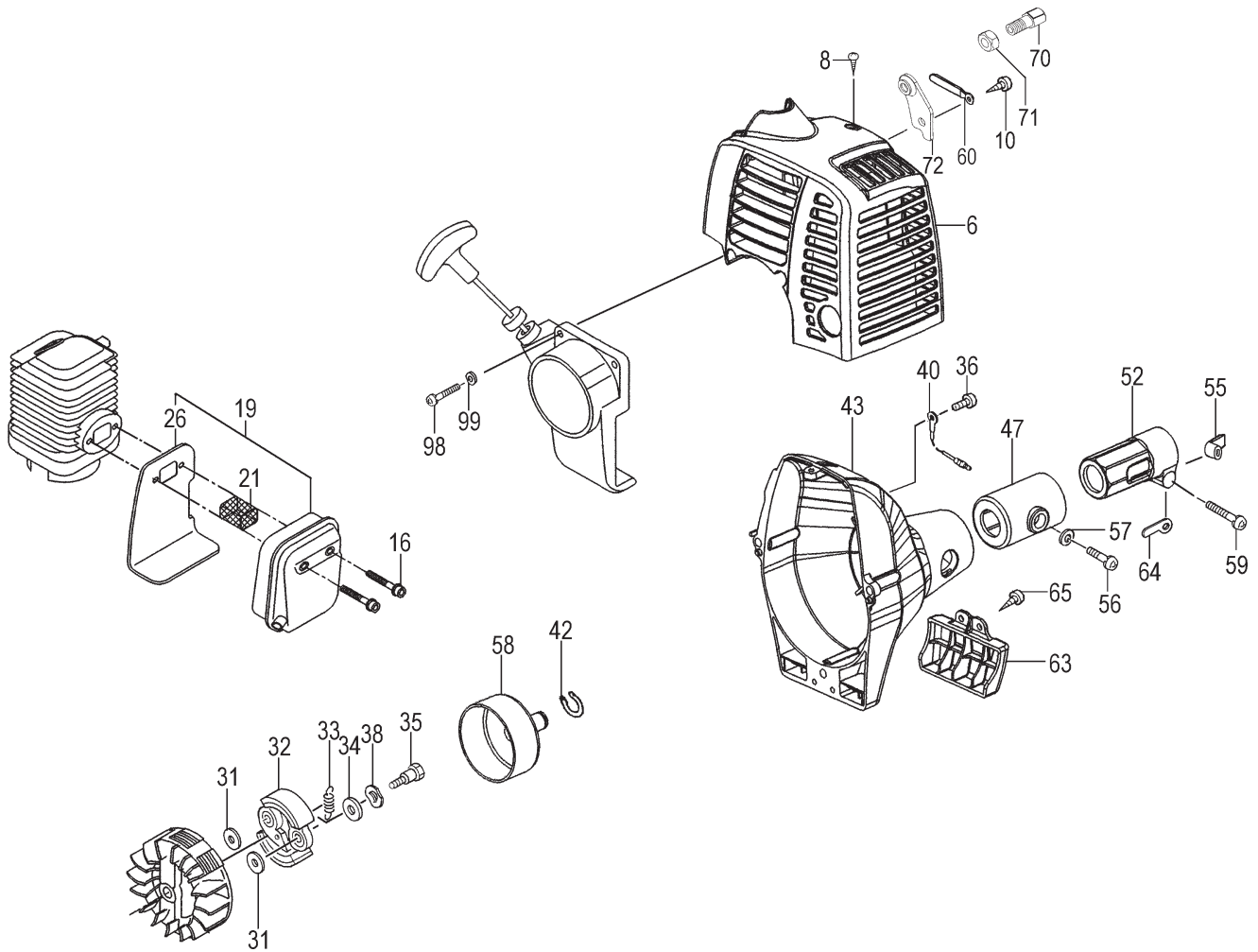


ITEM	PART NUMBER	DESCRIPTION	QTY	COMMENTS
2-31	0720706090	CRANKCASE,ASS'Y	1	Includes gasket, bearings and seals
2-32	99966122272	SEAL,OIL 122245	2	
2-33	99961600100	BEARING,BALL,#6001	2	
2-34	0900706020	GASKET,CRANKCASE	1	
2-36	99414050251	SCREW,5X25	3	
2-51	1550706080	ROTOR,MAGNETO	1	
2-54	99422060161	BOLT,6x16,PS	1	



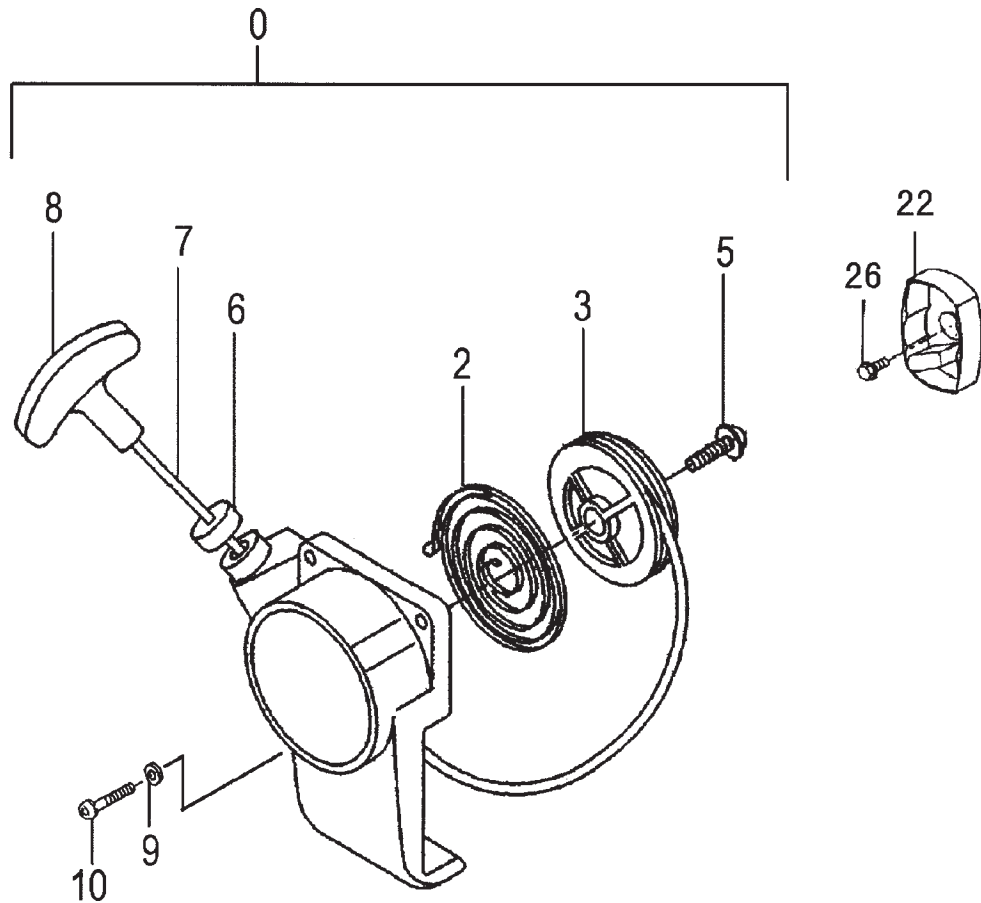
ITEM	PART NUMBER	DESCRIPTION	QTY	COMMENTS
3-2	2030706020	GROMMET	1	
3-41	4030706020	GASKET,INTAKE MANIFOLD	2	
3-42	4040706090	SET,INSULATOR	1	Includes gasket
3-45	99416050252	SCREW,5X25WS	2	
3-46	4020706020	GASKET,CARBURETOR	1	
3-49	99967015000	O-RING,P15	1	
3-50	4550709690	CARBURETOR SET	1	Includes gasket
3-55	1320706020	SHIELD	1	
3-58	5600712020	SWIVEL CAP	1	
3-71	5950300290	CAP,TANK (BLACK/RED)	1	
3-74	99011050651	SCREW,5X65	2	
3-75	99201050011	WASHER,5	2	
3-76	99210050012	WASHER,S,5	2	
3-78	7000300507	PIPE,FUEL,3X5X75	1	
3-79	53432710200	GROMMET,FUEL PIPE	1	
3-86	2230162V900	PIPE,FUEL,ASS'Y	1	
3-87	68000731201	CLIP 6.3	1	
3-89	6750404280	FILTER,FUEL	1	
3-91	5910706080	TANK,FUEL ORANGE	1	
3-96	65500940201	CUSHION,FUEL TANK	2	
3-97	6010706020	CUSHION,TANK	2	

MUFFLER, CLUTCH & COVER • FIGURE 4

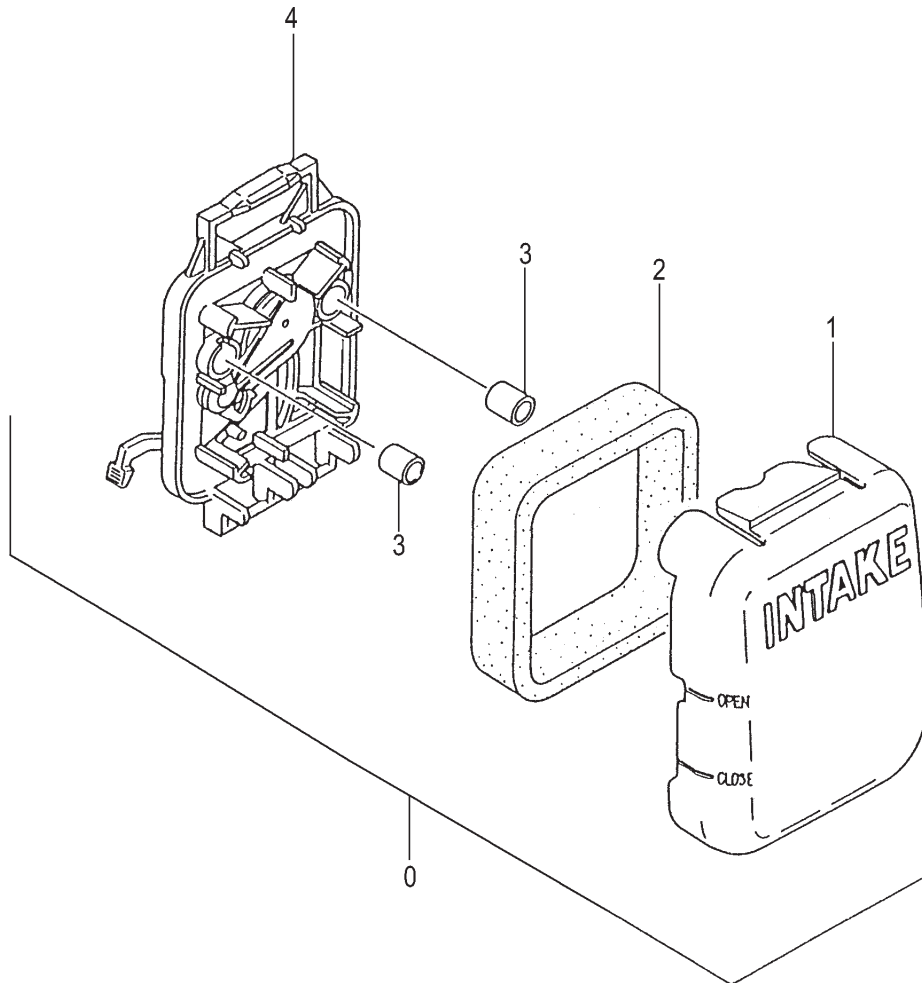


MUFFLER, CLUTCH & COVER • FIGURE 4

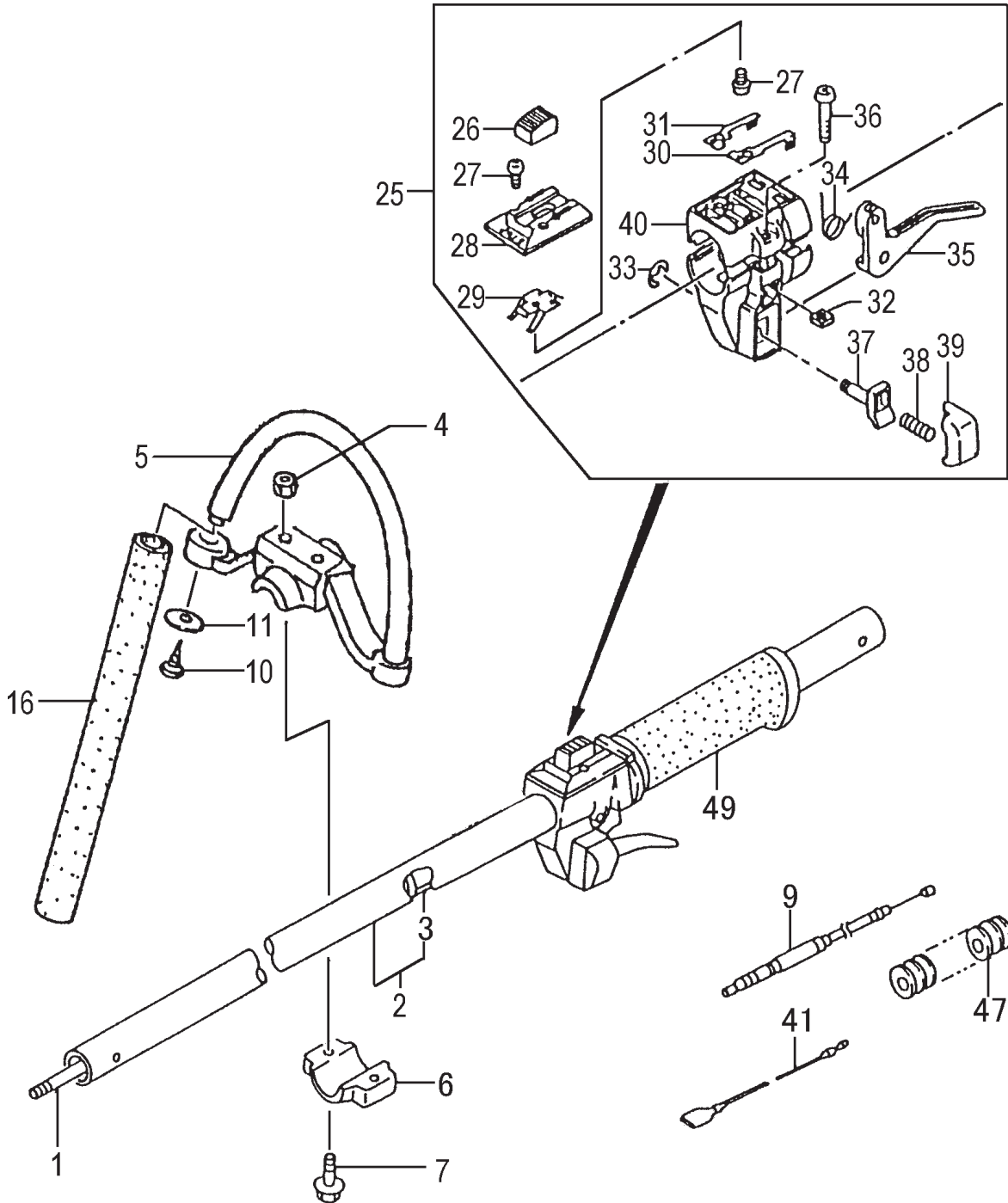
ITEM	PART NUMBER	DESCRIPTION	QTY	COMMENTS
4-6	7380706021	COVER,MUFFLER	1	
4-8	99073045104	SCREW,TAPPING,4.5X10	2	
4-10	99073045124	SCREW,TAPPING,4.5X12	1	
4-16	99460050454	SCREW,5X45W	2	
4-19	7040706090	SET,MUFFLER	1	
4-21	7320706020	ARRESTOR,SPARK	1	
4-26	1330706020	SHIELD,HEAT	1	
4-31	35902103200	WASHER,CLUTCH,B	2	
4-32	29001620800	SHOE,CLUTCH	2	
4-33	3420630B200	SPRING,CLUTCH	1	
4-34	3480602R200	WASHER,CLUTCH A	2	
4-35	3570075T200	BOLT,STEP	2	
4-36	99416050162	SCREW,5X16/WS	3	
4-38	99205080030	WASHER,8	2	
4-40	17900025800	CORD,STOP	1	
4-42	99350012002	RING,STOP,C-12 EX	1	
4-43	1120706081	CASE,FAN	1	
4-47	5990098021	CUSHION,RUBBER	1	Includes bearing
4-52	3600099620	PIPE HOLDER	1	
4-55	3610099020	FITTING,METAL	1	
4-56	99051050163	BOLT,HEX,5X16	1	
4-57	99201050061	WASHER,5	1	
4-58	2890707880	SHAFT,CLUTCH	1	
4-59	99461050254	BOLT,HEX HOLE,5X25S	1	
4-60	19805015800	CLAMP,CORD	1	
4-63	9410706020	STAND	1	
4-64	3243735020	WASHER,GEAR CASE	1	
4-65	99073045124	SCREW,TAPPING,4.5X12	2	
4-70	61425137200	ADJUSTER,CABLE	1	
4-71	99101060013	NUT,6	1	
4-72	8780706020	PLATE,WIRE FIXING	1	
4-98	99461050204	BOLT,HEX,HOLE,5X20,S	2	
4-99	99200050061	WASHER,SMALL,5	2	



ITEM	PART NUMBER	DESCRIPTION	QTY	COMMENTS
5-0	7620706090	STARTER,RECOIL ASS'Y	1	
5-2	7790136U200	SPRING,RECOIL	1	
5-3	7740162V200	REEL,STARTER ROPE	1	
5-5	8390201020	SCREW,SET	1	
5-6	7800706020	GUIDE,ROPE	1	
5-7	7830706020	ROPE,STARTER	1	
5-8	78506097200	HANDLE,STARTER	1	
5-9	99200050061	WASHER,SMALL,5	2	
5-10	99461050204	BOLT,HEX,HOLE,5X20,S	2	
5-22	7980706090	PULLEY,STARTER	1	
5-26	3800706080	BOLT,M6	1	

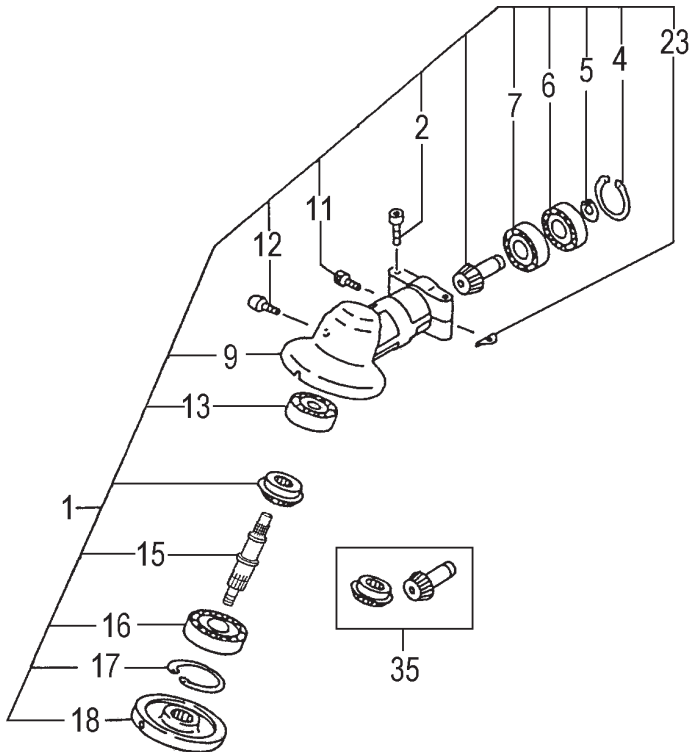


ITEM	PART NUMBER	DESCRIPTION	QTY	COMMENTS
6-0	41000025900	CLEANER,AIR ASS'Y	1	
6-1	42400025200	CAP,AIR CLEANER	1	
6-2	44600025200	ELEMENT,CLEANER	1	
6-3	47000025200	COLLAR	2	
6-4	42300025800	BODY,CLEANER,AIR	1	

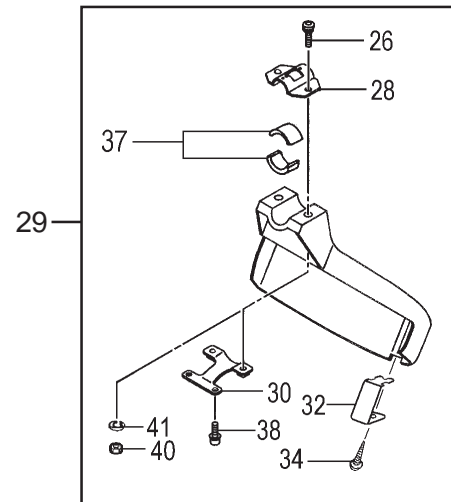


DRIVE SHAFT, THROTTLE & HANDLE • FIGURE 8

ITEM	PART NUMBER	DESCRIPTION	QTY	COMMENTS
8-1	3433817020	SHAFT,DRIVE,1487mm	1	Replace shaft & clutch drum as a set
8-2	3413762382	PIPE,SHAFT,24x1450x1.6	1	
8-3	34737601900	BUSHING	5	
8-4	99101060041	NUT,6	2	
8-5	5003728620	HANDLE	1	
8-6	50637300200	BRACKET,HANDLE,A	1	
8-7	99023060351	BOLT,6X35 PLUS	2	
8-9	8853819580	WIRE,THROTTLE	1	
8-10	99311052012	SCREW,TAPPING 5X20	1	
8-11	36832350200	WASHER,BRAKE SHAFT	1	
8-16	5033738E20	GRIP,HANDLE	1	
8-25	8703728690	LEVER,THROTTLE ASS'Y	1	
8-26	1623710120	SWITCH,STOP	1	
8-27	99342030081	SCREW,TAPPING,3X8	3	
8-28	25937101200	BASE,STOP SWITCH	1	
8-29	26237101200	SPRING,STOP SWITCH	1	
8-30	17737101200	TERMINAL,EARTH B	1	
8-31	17637101200	TERMINAL,EARTH A	1	
8-32	3153334020	NUT,SPECIAL 5MM	2	
8-33	99355060001	RING,STOP,6	1	
8-34	83237101200	SPRING,RETURN	1	
8-35	88037101200	LEVER,THROTTLE	1	
8-36	99431050201	SCREW,5X20	2	
8-37	85337101200	SHAFT,LOCK BUTTON	1	
8-38	95837101200	SPRING,LOCK,BUTTON	1	
8-39	95637101200	BUTTON,LOCK	1	
8-40	2603331720	BODY,STOP BUTTON,B	1	
8-41	1783739480	CORD,STOP 430mm	2	
8-47	16410038000	TUBE,PROTECTION,10X380	1	
8-49	50437300200	GRIP,SHAFT	1	

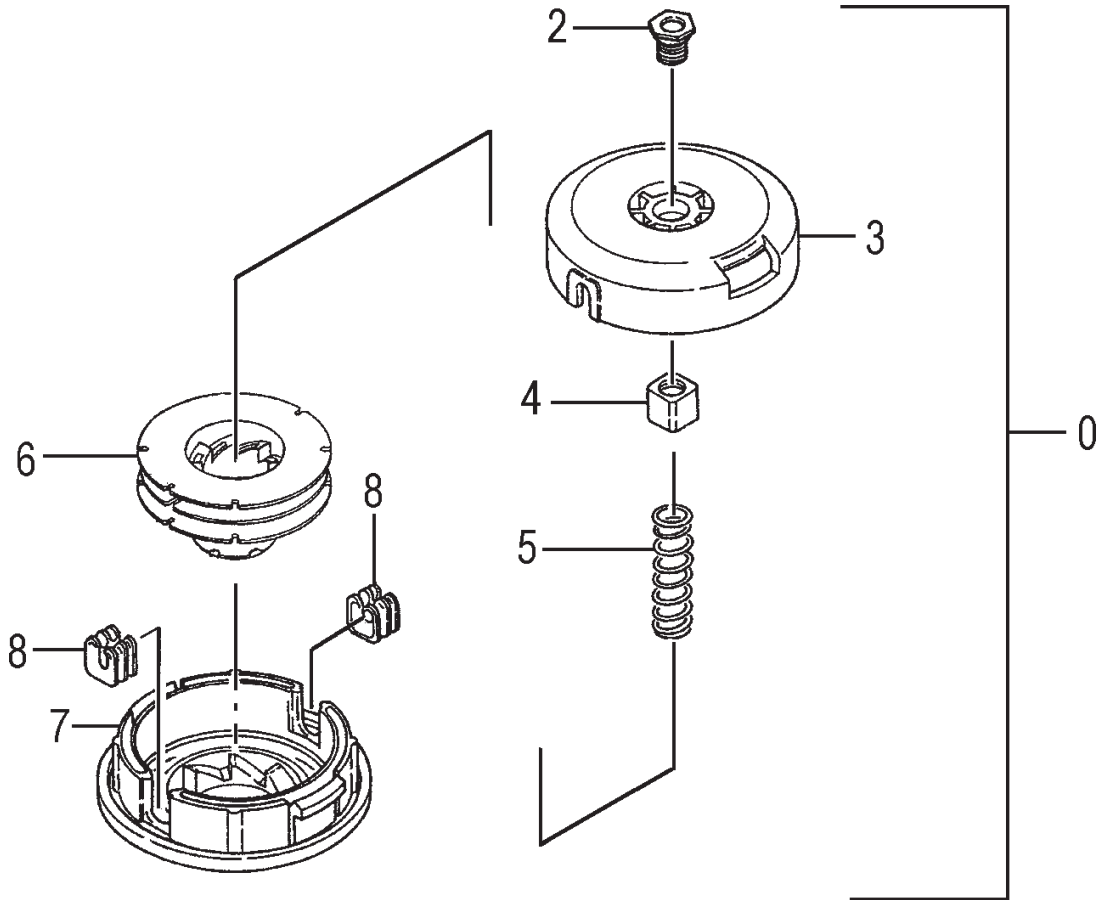


441-37587-00 Guard Kit



This guard kit is designed to fit all trimmers with 24 or 26 mm pipes. This guard is **NOT** approved for use with any metal blade.

ITEM	PART NUMBER	DESCRIPTION	QTY	COMMENTS
9-1	3003815990	CASE,GEAR ASS'Y	1	
9-2	99461050254	BOLT,HEX HOLE,5X25S	2	
9-4	99351022002	RING,STOP,C22,IN	1	
9-5	99350010002	RING,STOP,C-10 EX	1	
9-6	99961690002	BEARING,BALL,#6900Z	1	
9-7	99961690000	BEARING,BALL,#6900	1	
9-9	3003815020	CASE,GEAR	1	
9-11	99461050124	BOLT,HEX,5X12S	1	
9-12	3163815020	BOLT,FITTING,M8	1	
9-13	99961609000	BEARING,BALL,#609	1	
9-15	3043815020	SHAFT,GEAR	1	
9-16	99961620103	BEARING,BALL #6201D	1	
9-17	99351032002	RING,STOP,C-32 IN	1	
9-18	3103815020	HOLDER,CUTTER	1	
9-23	3243815020	WASHER,GEAR CASE	1	
9-26	99481060254	SCREW,HEX HOLE 6X25	2	
9-28	4423741720	BRACKET,SAFETY GUARD	1	
9-29	4413758700	GUARD KIT	1	Guard kit includes mounting components as shown
9-30	4453815020	HOLDER,GUARD	1	
9-32	7973815020	LIMITER,LINE	1	
9-34	99317052002	SCREW,TAPPING,5x20	1	
9-35	3013815000	SET,GEAR PINION	1	
9-37	444-37609-200	SPACER,BRACKET	2	
9-38	99461050124	BOLT,HEX,5X12S	2	



ITEM	PART NUMBER	DESCRIPTION	QTY	COMMENTS
10-0	746451	HEAD,SEMI-AUTO,5"	1	
10-2	3563383E20	ADAPTER,746451,8x1.25 LHF	1	
10-3	7863383020	BODY,CUTTING	1	
10-4	3153383020	NUT,SPECIAL	1	
10-5	7933383020	SPRING,REEL	1	
10-6	7873383020	REEL	1	
10-7	7893383020	CAP,BODY	1	
10-8	7883383020	EYELET	2	



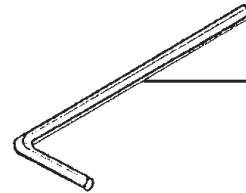
2



4



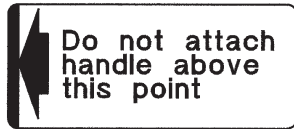
5



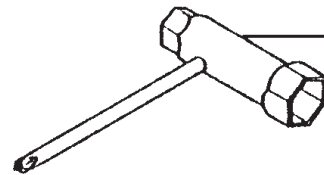
30

⚠ WARNING! •Read the Operator's Manual and follow all warnings and safety instructions. Failure to do so can result in serious injury to the operator and/or bystanders. •Objects may be thrown or ricochet in all directions. **ALWAYS WEAR EYE PROTECTION.** •Keep bystanders at least 50 feet (15 m) away. •To reduce the chance of hearing loss, always wear ear protection. •To reduce the risk of injury from loss of control, never use a metal blade on a curved shaft grass trimmer. Never use a metal blade on any brushcutter without barrier bar or bicycle handle configuration and safety strap. •Use of a blade may cause a sudden sideways, forward or backward motion of the brushcutter when the blade contacts a solid object. See Owner's manual for model specific details.

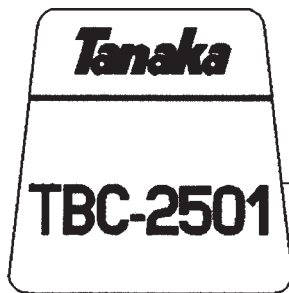
10



26



31



3

ITEM	PART NUMBER	DESCRIPTION	QTY	COMMENTS
10-30	81320000200	WRENCH,HEX,4	1	
10-31	8262000080	SPANNER,COMBI,17X19	1	

ITEM	PART NUMBER	DESCRIPTION	QTY	COMMENTS
11-2	9060706020	DECAL,MODEL TBC-2501	1	
11-3	9290706020	DECAL	1	W236035~
11-4	9233370020	DECAL,LEVEL	1	
11-5	91505015200	DECAL,SYMBOL	1	
11-10	9193738F20	DECAL,CAUTION,A	1	
11-26	9233738F20	DECAL,LEVEL	1	