

Tanaka Illustrated Parts Manual

Model Number:

TBC-2510

GRASS TRIMMER

P/N 26714

Rev 002

Date 8-31-06



Supplier To The Outdoor Power Equipment Industry

Tanaka America • 1028 4th Street SW Ste "B" • Auburn, WA 98001 • Phone: (253) 333-1200 • Fax: (253) 333-1212

TBC-2510

Grass Trimmer / Brush Cutter



New Low Profile Guard

Features / Benefits

- **24cc, 1.3 hp engine** features two piston rings and a stress relieved, chrome plated cylinder for long engine life.
- **Bearing supported, solid steel drive shaft** provides smooth and efficient power transfer from the engine to the cutting head.
- **Re-designed cutting guard** provides a less restricted cutting view while conforming to ANSI standards.
- **Heavy-duty anti-vibration system** includes a padded front handle and heavy-duty rubber mount between the engine and shaft.
- **1 / 2 / 5 Warranty Coverage** provides **One-Year** coverage for professionals, **Two-Year** Coverage for Homeowners, and **Five Years** on the Electronic Ignition Module.

Specifications	
Engine Displacement cc (cu. in.)	24 (1.4)
Power (h.p.)	1.3
Cylinder	Chrome Plated, Stress Relieved
Carburetion	Walbro Diaphragm with Primer
Ignition System	Transistorized Electronic
Fuel Tank Capacity / fl. oz. (cc)	25.8 (780)
Anti-Vibration	Heavy-Duty Engine Mount
Clutch System	Heavy-Duty Centrifugal
Shaft Support	5 Shaft Bearings
Drive System	7mm Solid Steel Shaft
Standard Cutting Head	5" Semi-Automatic Feed (.095" Line)
Dry Weight / lbs. (kg) w/head	12 (5.4)

Optional Accessories:

ORDER #	DESCRIPTION
746251	BRAIN® Auto feed head (TH-95)
746751	BRAIN® Auto feed head (TH-97)
746280	Aluminum fixed line head
746290	Aluminum manual feed head
746551	4" manual feed head
746191	Single shoulder strap
746291	Deluxe shoulder harness
Varies	Assorted brush & weed blades
748501	Blade conversion kit*
748502	Dual handle kit
TMC-200	Cultivator attachment
TPS-200	Pole Saw attachment
TPH-200	Pole Hedge Trimmer attachment
Varies	Perfect Mix 2-Cycle Engine Oil

* May require blade guard kit

All data and specifications are subject to change without notice
For more information, contact:

Grass Trimmer Attachments

TPS-200

Pruning Saw Attachment

The versatile TPS-200 Pruning Saw attachment easily converts Tanaka straight shaft grass trimmers / brushcutters into a powerful pruning saw.



TPS-200 Features:

- 24" Shaft Provides a 98" Overall Length when mounted
- 10" Oregon® Bar & Chain
- Easy-Mount Coupler

To be used with the following Tanaka models:

- AST-7000 / 7000S / 210
- TBC-4500 / 4501 / 2211
- TBC-220 / 240
- TBC-250 / 2501 / 2510 / 265
- TBC-270PF/PN



TPS-EXT Pruning Saw **Extension** (Part # 748511) Add an **extra two feet of reach** with this pruning saw extension that will fit on both the TPS-2510 and TPS-270PN Pruning Saws. In addition, it can be added to Tanaka straight shaft grass trimmers that utilize the TPS-200 Pole Saw Attachment.

TPH-200

Pole Hedge Trimmer Attachment

For added reach and maneuverability, the TPH-200 Pole Hedge Trimmer attachment can be added to several Tanaka straight shaft grass trimmers / brushcutters.



TPH-200 Features:

- 22" Double Sided Cutting Blades
- Articulating / Pivoting Cutting Angle up to 130 degrees.

To be used with the following Tanaka models:

- AST-7000 / 7000S / 210
- TBC-4500 / 4501 / 2211
- TBC-220 / 240
- TBC-250 / 2501 / 2510 / 265
- TBC-270PF/PN

TMC-200

Mini-Cultivator

This simple, easy to install attachment is ideal for quick garden / flower bed weeding and cultivation. For maximum depth, the TMC-200 can dig up to 4 inches into the ground and 6" wide.

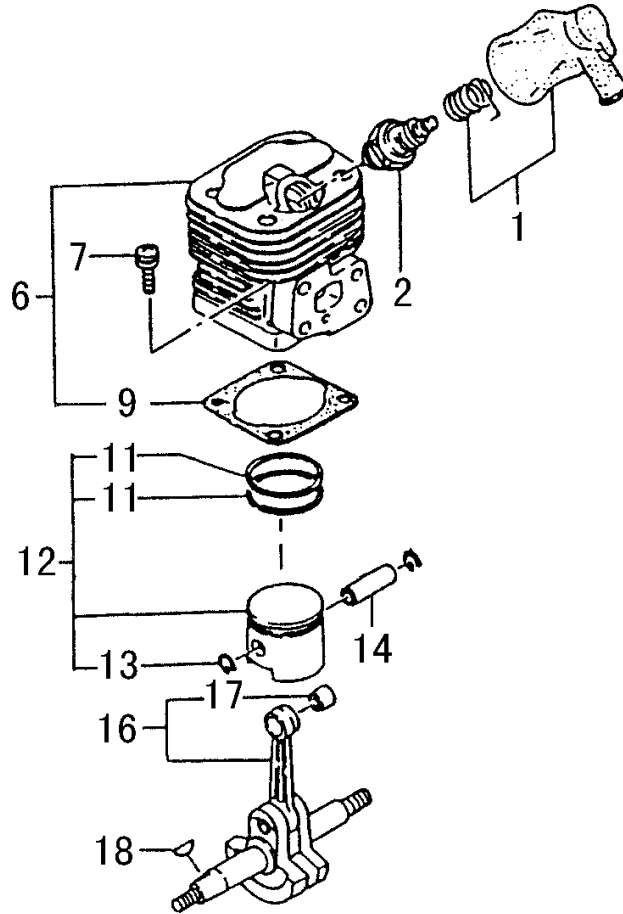
With a 49:1 reduction ratio, this heavy duty gear box gives you more tilling power.



To be used with the following Tanaka models:

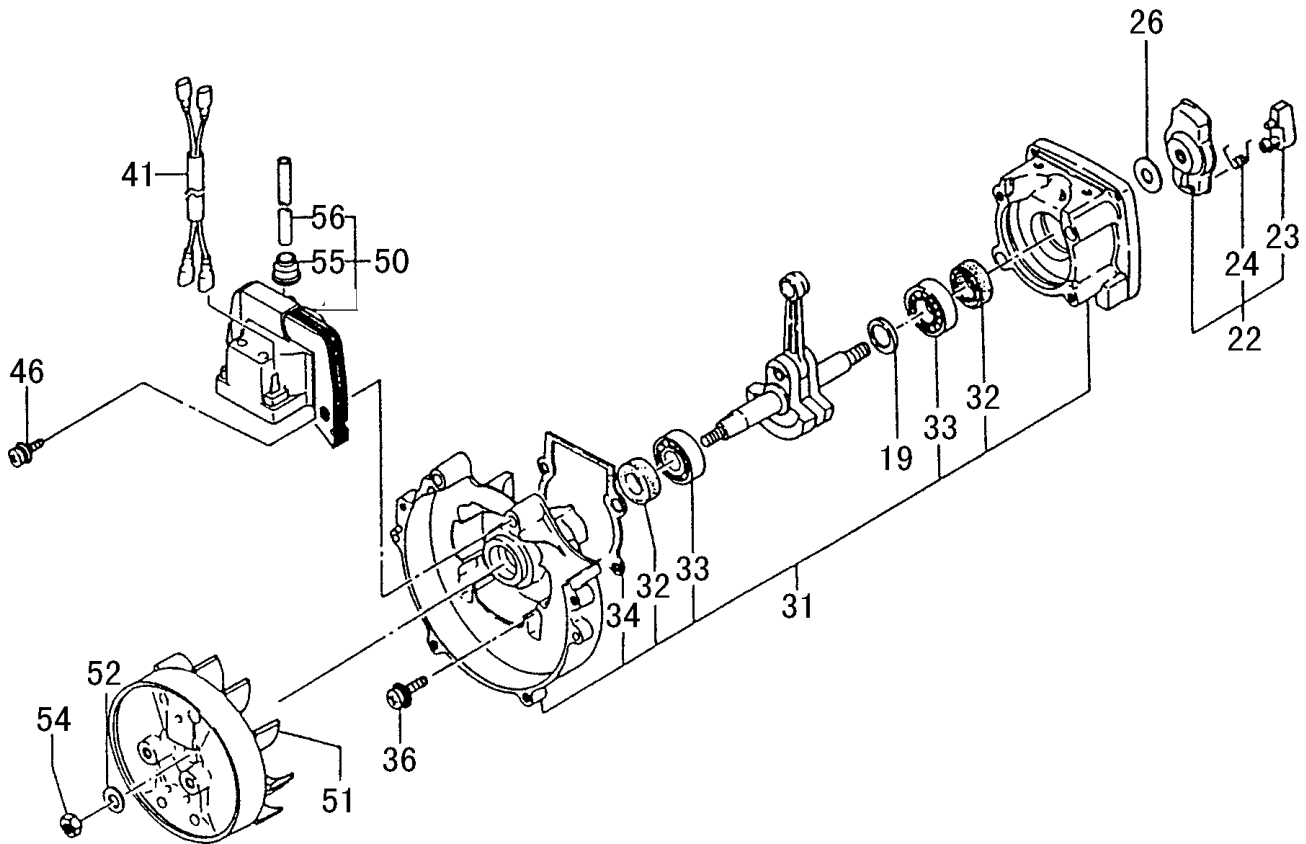
- AST-7000 / 7000S / 210
- TBC-4500 / 4501 / 2211
- TBC-220 / 240
- TBC-250 / 2501 / 2510 / 265
- TBC-270PF/PN
- TBC-300 / 3010
- TBC-420PF

All data and specifications are subject to change without notice
For more information, contact:



ITEM	PART NUMBER	DESCRIPTION	QTY	COMMENTS
1-1	1570097A900	CAP, SPARK PLUG, ASS'Y	1	
1-2	0181166021	PLUG, SPARK	1	
1-6	0010099F90	SET, CYLINDER	1	Includes cylinder gasket
1-7	99414050181	SCREW, S, 5X18	4	
1-9	01700980200	GASKET, CYLINDER	1	
1-11	04101601200	RING, PISTON	2	
1-12	0300099F90	SET, PISTON	1	Includes rings, and circlips
1-13	03901620200	CIRCLIP, PISTON PIN	2	
1-14	0370160120	PIN, PISTON	1	
1-16	0460631A81	CRANKSHAFT	1	
1-17	99962081225	BEARING, NEEDLE, F-810	1	
1-18	06810100200	KEY, WOODRUFF, 3X13X4.5	1	

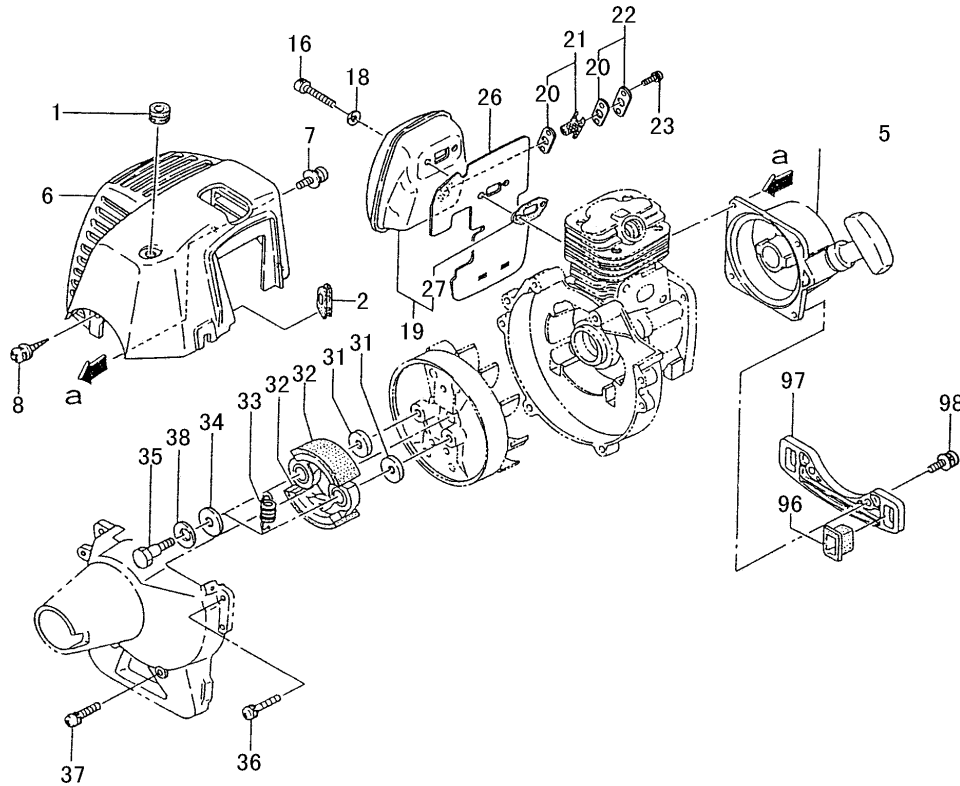
STARTER PAWL, FLYWHEEL, CRANKSHAFT, IGNITION • FIGURE 2



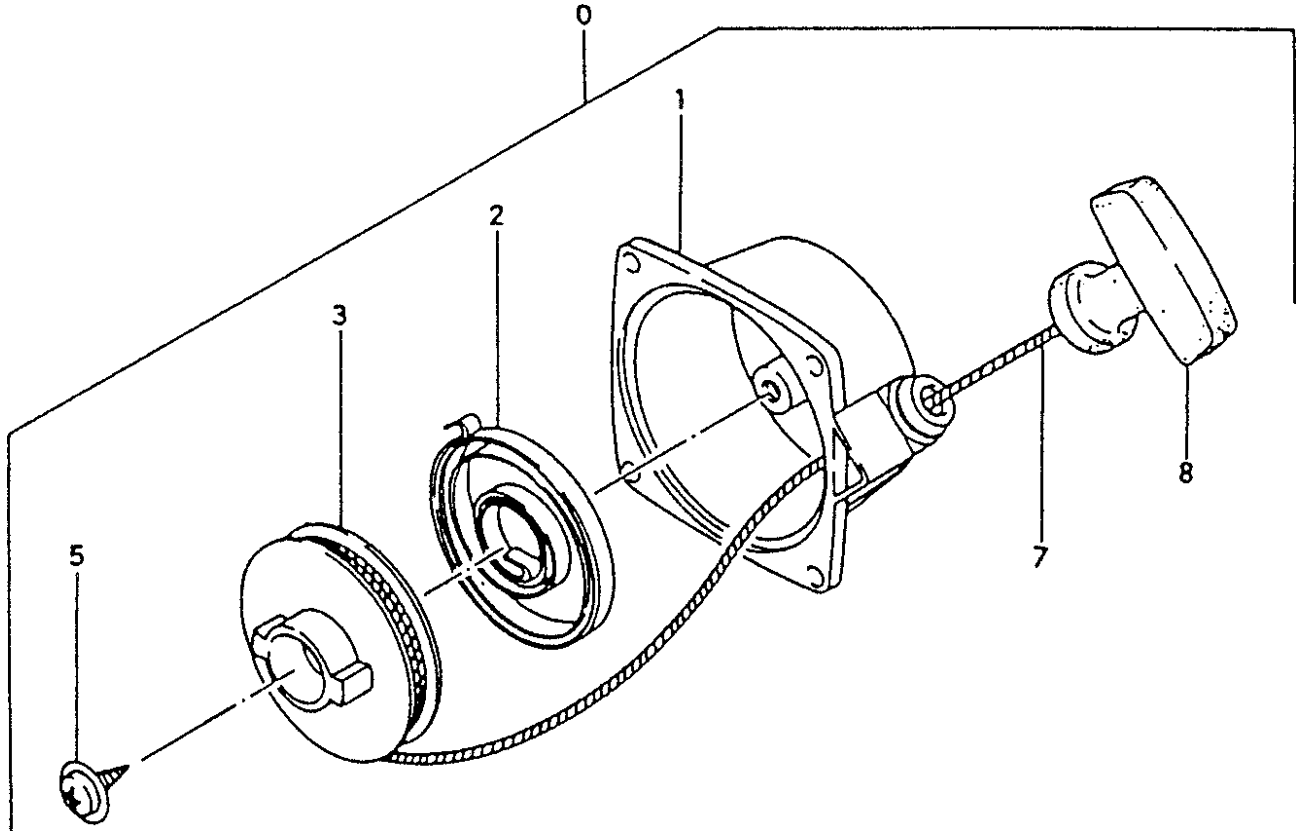
ITEM	PART NUMBER	DESCRIPTION	QTY	COMMENTS
2-19	33000200210	SHIM,12.2X19X.10	V	*Shims are "as needed" to obtain correct side clearance
2-19	33000200220	SHIM,12.2X19X.15	V	
2-19	33000200230	SHIM,12.2X19X.20	V	
2-19	33000200240	SHIM,12.2X19X.30	V	
2-22	79806500900	PULLEY,STARTER,ASS'Y	1	
2-23	7880650020	PAWL,STARTER	1	
2-24	79006097200	SPRING,STARTER PAWL	1	
2-26	35910112203	WASHER,CLUTCH B	1	
2-31	07200980900	CRANKCASE,ASS'Y	1	*Crankcase assy includes bearings, seals and gasket.
2-32	99966122206	SEAL,OIL,#TC12227	2	
2-33	99961600100	BEARING,BALL,#6001	2	
2-34	09006097200	GASKET,CRANKCASE	1	
2-36	99414050251	SCREW,5X25	4	
2-41	1780655080	CORD,STOP,180mm	1	
2-46	99416050201	SCREW,5X20/WS	2	
2-50	1672052190	COIL,IGNITION	1	
2-51	1552050880	ROTOR,MAGNETO	1	
2-52	99201070011	WASHER,7	1	
2-54	06600000200	NUT,FLYWHEEL	1	
2-55	56020517200	CAP,RUBBER	1	
2-56	26420516200	LEAD,HIGH TENSION	1	

ITEM	PART NUMBER	DESCRIPTION	QTY	COMMENTS
3-41	4030631A20	GASKET,INLET MANIFOLD	1	
3-42	4040099F90	SET,CARB INSULATOR	1	
3-45	99416050221	SCREW,5X22/WS	2	
3-46	4020602K21	GASKET,CARBURETOR	1	
3-50	4554728090	CARBURETOR,ASS'Y	1	Before S/N R007264
3-50	4554728690	CARBURETOR,ASS'Y	1	From S/N R007265 through S/N S283570
3-50	4550099M90	CARBURETOR,ASS'Y	1	S/N S283571 and after
3-53	4360162V20	BASE,CLEANER	1	
3-54	52800980200	PLATE,CHOKE	1	
3-55	99967008012	O-RING,S-8	1	
3-56	4700602N200	COLLAR,CLEANER	1	
3-57	4230637C800	BODY,CLEANER	1	
3-58	99200050011	WASHER,SMALL,5	2	
3-60	99414050571	SCREW,5X57,S	2	
3-61	4460637C200	ELEMENT,CLEANER	1	
3-62	0510099F90	SET,CLEANER COVER	1	
3-63	3800637C200	BOLT,CLEANER COVER	1	
3-70	44225143800	PUMP,PRIMING ASS'Y	1	S/N S283571 and after
3-71	5950650A90	TANK CAP	1	Before S/N T245220
3-71	5950656B90	CAP,FUEL BLACK,NON VENT	1	S/N T245221 and after
3-78	70002504080	PIPE,FUEL,2.5X4X80	2	S/N 283571 and after
3-79	53432710200	GROMMET,FUEL PIPE	1	S/N 283571 and after
3-86	2230162V900	PIPE,FUEL,ASS'Y	1	
3-87	68000731201	CLIP 6.3	1	
3-89	6750404280	FILTER,FUEL	1	
3-91	5910635A200	TANK,FUEL	1	Before S/N S283570
3-91	5910645D20	TANK,FUEL	1	From S/N S283571 through T245220
3-91	5910099520	TANK,FUEL	1	S/N T245221 and after
3-96	65500940201	CUSHION,FUEL TANK	2	
3-121	5640661190	VENT,AIR ASSY	1	S/N T245221 and after
3-122	4053615221	PIPE,AIR VENT	1	S/N T245221 and after
3-123	6463252L90	AIR VENT VALVE ASSY	1	S/N T245221 and after
3-124	68000731201	CLIP 6.3	1	S/N T245221 and after
3-125	5610007020	COVER,AIR VENT	1	S/N T245221 and after

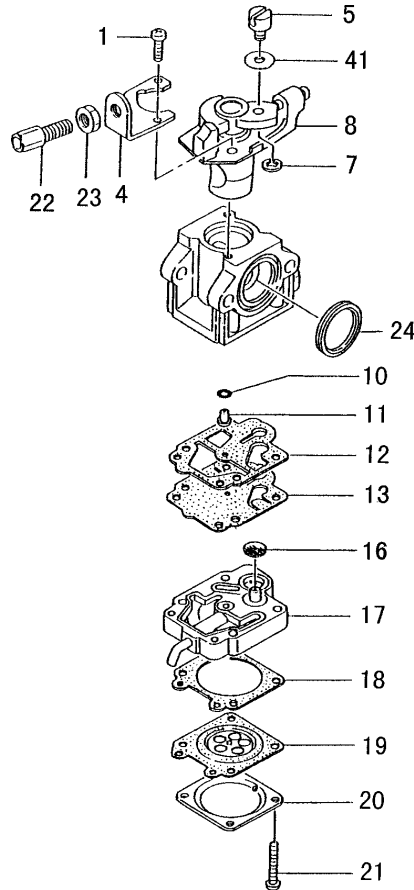
MUFFLER, COVER, CLUTCH • FIGURE 4



ITEM	PART NUMBER	DESCRIPTION	QTY	COMMENTS
4-1	20201003201	GROMMET, SECONDARY CORD	1	
4-2	2030631A200	GROMMET	1	
4-6	7380631A201	PROTECTOR, MUFFLER	1	
4-7	99415040222	SCREW, PS, 4X22	2	
4-8	99072045164	SCREW, TAPPING, 4.5X16	2	
4-16	99051050503	BOLT, HEX, 5X50	2	
4-18	99201050011	WASHER, 5	2	
4-19	7040099F90	SET, MUFFLER	1	
4-20	75104200201	GASKET, MUFFLER	2	
4-21	7320099F90	SET, SPARK ARRESTER	1	
4-22	7340099F90	SET, TAIL PIPE	1	Before S/N R007264
4-22	7340099K90	PIPE, EXHAUST	1	S/N R007265 and after
4-23	99434040081	SCREW, 4X8/S	2	
4-26	1330631A201	SHIELD, HEAT	1	
4-27	7370610021	GASKET, MUFFLER	1	
4-31	35902103200	WASHER, CLUTCH, B	2	
4-32	29001620800	SHOE, CLUTCH	2	
4-33	3420630B200	SPRING, CLUTCH	1	
4-34	3480602R200	WASHER, CLUTCH A	2	
4-35	3570075T200	BOLT, STEP	2	
4-36	99416050202	SCREW, 5X20/WS	2	
4-37	99416050422	SCREW, 5X42/WS	2	
4-38	99205080030	WASHER, 8	2	
4-96	65500940201	CUSHION, FUEL TANK	2	
4-97	6530631A200	BRACKET, TANK	1	
4-98	99415040222	SCREW, PS, 4X22	4	

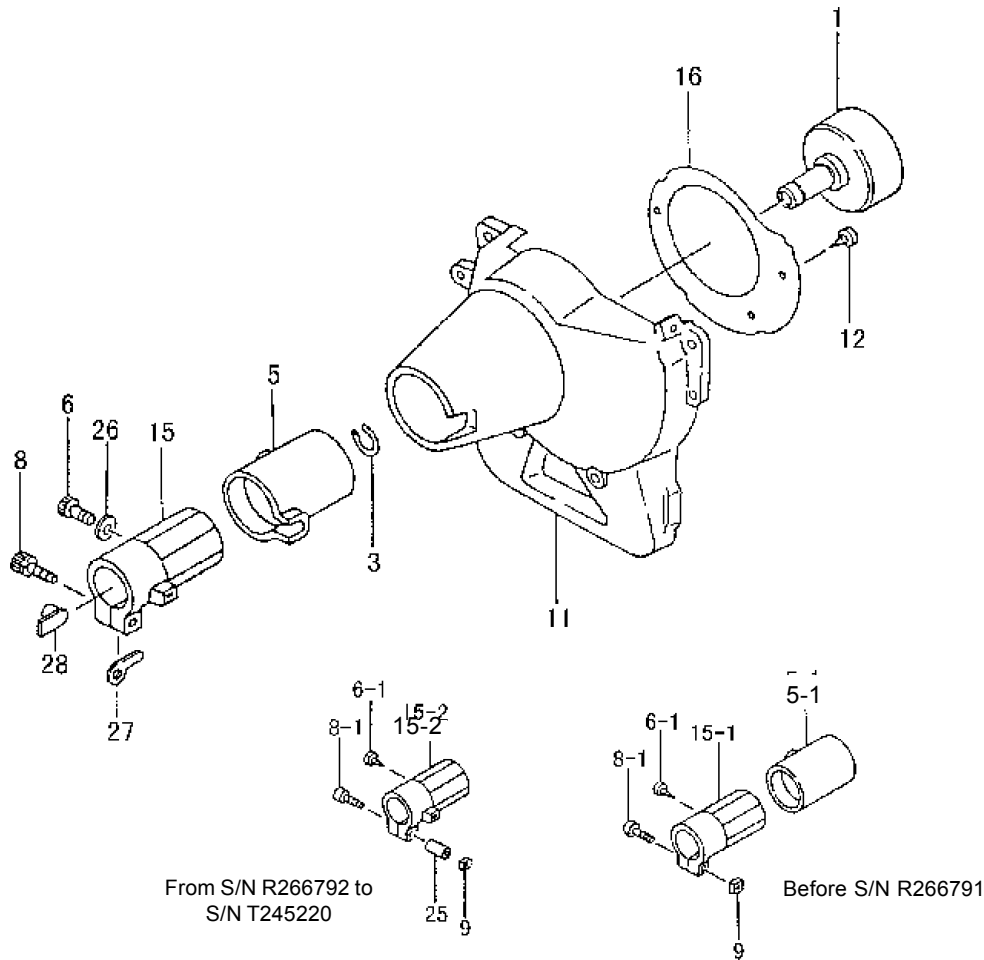


ITEM	PART NUMBER	DESCRIPTION	QTY	COMMENTS
5-0	76206097902	STARTER,RECOIL ASS'Y	1	
5-1	77206097000	BODY,RECOIL STARTER	1	
5-2	78006097200	SPRING,RECOIL	1	
5-3	77406097200	PULLEY,STARTER	1	
5-5	8390201020	SCREW,SET	1	
5-7	78306097200	ROPE,STARTER	1	
5-8	78506097200	HANDLE,STARTER	1	



ITEM	PART NUMBER	DESCRIPTION	QTY	COMMENTS
6-0-1	4554728090	CARBURETOR,ASS'Y	1	Before S/N R007264
6-0-1	4554728690	CARBURETOR,ASS'Y (CA)	1	From S/N R007265 through S/N S283570
6-0	4550099M90	CARBURETOR,ASS'Y	1	S/N S283571 and after (purge type)
6-1	51425100200	SCREW, THROTTLE SET	2	
6-4	54425120200	STAY,ADJUST,CABLE	1	Before S/N R007264
6-4	54425164200	STAY,ADJUST,CABLE	1	S/N R007265 and after
6-5	53925120200	SWIVEL	1	
6-7	48925100200	RING,STOP	1	
6-8	4882515480	VALVE,THROTTLE	1	Before S/N R007264
6-8	~ ~ ~	VALVE,THROTTLE	1	Not available after S/NR007265
6-10	55025100200	O-RING	1	
6-11	5992000W430	JET,MAIN,#43	1	Above 4000ft may need 5992000W410 Main Jet,#41
6-12	~ ~ ~	*GASKET,PUMP	1	* Contained in Carb Repair Kit
6-13	~ ~ ~	*DIAPHRAGM,PUMP	1	P/N 650-25124-900 (Not available individually)
6-16	~ ~ ~	*SCREEN,INLET	1	
6-17	5752515280	BODY,PUMP	1	Before S/N S283570
6-17	5752514780	BODY,PUMP	1	S/N S283571 and after
6-18	~ ~ ~	*GASKET,DIAPHRAGM	1	
6-19	~ ~ ~	*DIAPHRAGM,METERING	1	
6-20	47625004200	COVER,DIAPHRAGM	1	
6-21	54825101200	SCREW,SET	4	
6-22	61425137200	ADJUSTER,CABLE	1	
6-23	99101060013	NUT,6	1	
6-24	4310634C200	GASKET,CLEANER	1	
6-41	5492516520	WASHER,THRUST	1	S/N R007265 and after

CLUTCH CASE • FIGURE 7



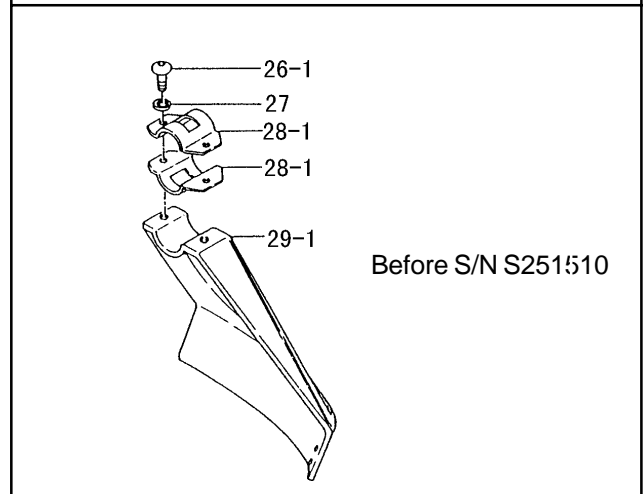
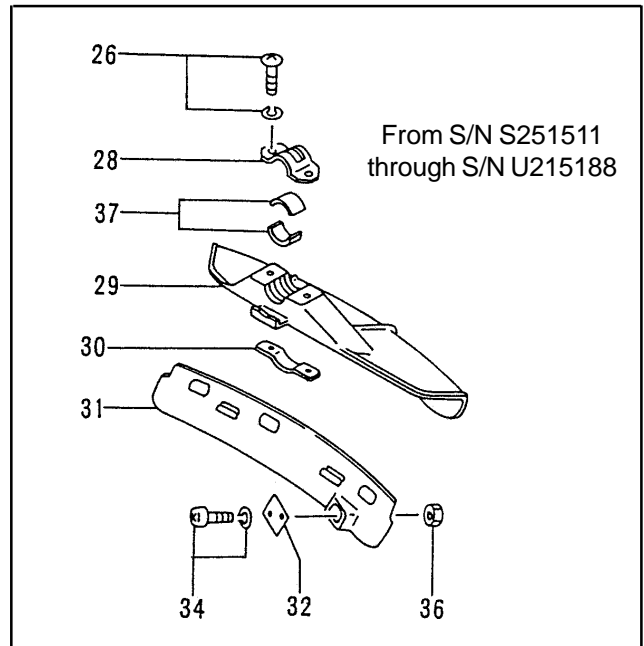
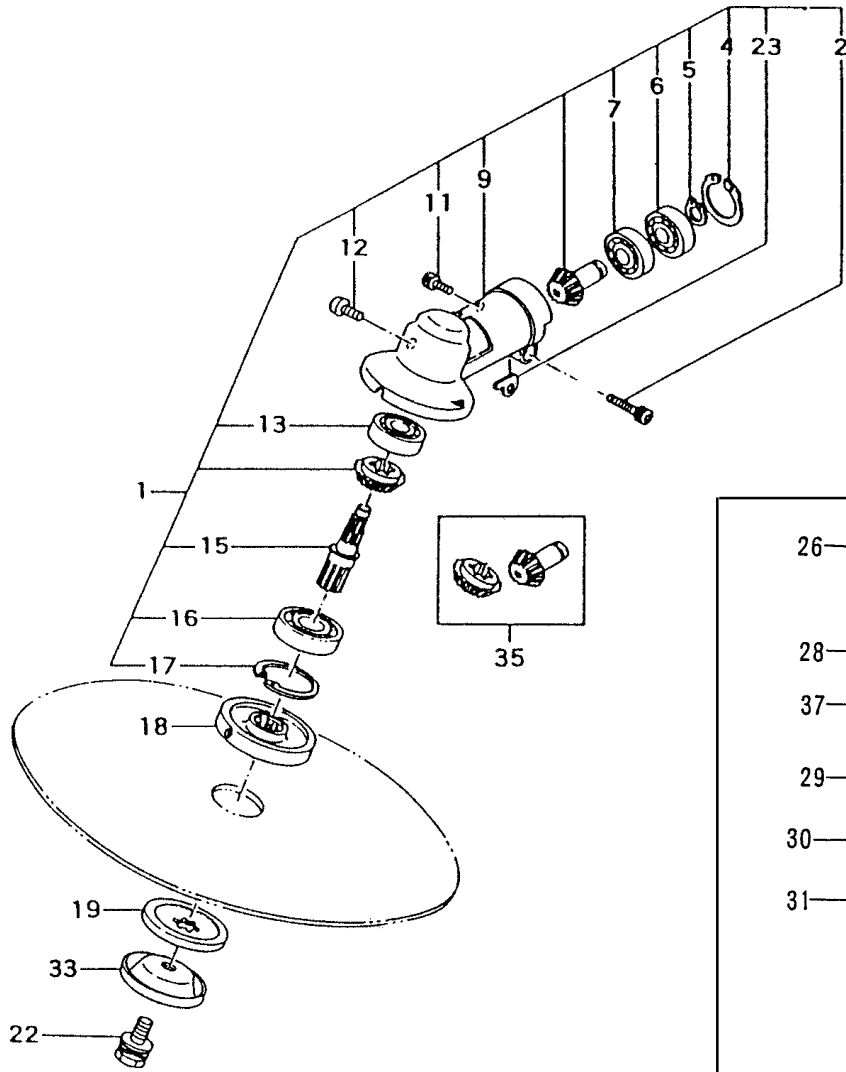
From S/N R266792 to
S/N T245220

Before S/N R266791

ITEM	PART NUMBER	DESCRIPTION	QTY	COMMENTS
7-1	2890098080	DRUM, CLUTCH	1	
7-3	99350012002	RING, STOP, C-12 EX	1	
7-5-1	5990098020	CUSHION, RUBBER	1	Before S/N R266791
7-5	5990098021	CUSHION, RUBBER	1	S/N R266792 and after
7-6-1	99074045164	SCREW, TAPPING 4.5x16	1	Before S/N T245220
7-6	99051050163	BOLT, HEX, 5X16	1	S/N T245221 and after
7-8-1	99054050203	BOLT, HEX, 5X20	1	Before S/N R266791
7-8-1	99054050253	BOLT, HEX 5x25	1	From S/N R266792 through S/N T245220
7-8	99461050254	BOLT, HEX HOLE, 5X25S	1	S/N T245221 and after
7-9	99191050001	NUT, 5	1	Before S/N T245220
7-11	1120098081	FAN CASE	1	Includes bearing
7-11	1120098000	SET, FAN CASE	1	Includes anti-vibe components
7-12	99072045164	SCREW, TAPPING, 4.5X16	3	
7-15	3600099020	HOLDER, PIPE	1	S/N T245221 and after
7-15-1	3600098020	HOLDER, PIPE	1	Before S/N R266791
7-15-2	3600098021	HOLDER, PIPE	1	From S/N R266792 through S/N T245220
7-16	0910098020	SHIELD, HEAT	1	
7-25	0960430020	COLLAR 6.3x18	1	Before S/N T245220
7-26	99201050061	WASHER, 5	1	S/N T245221 and after
7-27	3243735020	WASHER, GEAR CASE	1	S/N T245221 and after
7-28	3610099020	FITTING, METAL	1	S/N T245221 and after

HANDLE, THROTTLE LEVER, SHAFT • FIGURE 8

ITEM	PART NUMBER	DESCRIPTION	QTY	COMMENTS
8-1	34337300200	SHAFT,DRIVE	1	
8-2	3413761681	PIPE,DRIVE SHAFT	1	
8-3	3473730090	BUSHING,ASS'Y	5	
8-4	99101060041	NUT,6	2	
8-5-1	50037300200	HANDLE,D	1	Before S/N R218470
8-5	5003728620	HANDLE	1	S/N R218471 and after
8-6	50637300200	BRACKET,HANDLE,A	1	
8-7	99023060351	BOLT,6X35 PLUS	2	
8-9	8853739480	WIRE,THROTTLE	1	
8-10	99311052012	SCREW,TAPPING 5X20	1	S/N R218471 and after
8-11	36832350200	WASHER,BRAKE SHAFT	1	S/N R218471 and after
8-16	5033738E20	GRIP,HANDLE	1	S/N R218471 and after
8-25-1	87037300900	LEVER,THROTTLE ASSY	1	Before S/N S251510
8-25	8703728690	LEVER,THROTTLE ASS'Y	1	S/N S251511 and after
8-26	1623710120	SWITCH,STOP	1	
8-27	99342030081	SCREW,TAPPING, 3X8	1	
8-28	25937101200	BASE,STOP SWITCH	1	
8-29	26237101200	SPRING,STOP SWITCH	1	
8-30	17737101200	TERMINAL,EARTH B	1	
8-31	17637101200	TERMINAL,EARTH A	1	
8-32-1	99186050000	NUT,LOCK,5	1	Before S/N S251510
8-32	3153334020	NUT,SPECIAL 5MM	2	S/N S251511 and after
8-33	99355060001	RING,STOP,6	1	
8-34	83237101200	SPRING,RETURN	1	
8-35	88037101200	LEVER,THROTTLE	1	
8-36-1	99431050251	SCREW,S.,5X25	1	Before S/N S251510
8-36	99431050201	SCREW,5X20	2	S/N S251511 and after
8-37	85337101200	SHAFT,LOCK BUTTON	1	
8-38	95837101200	SPRING,LOCK,BUTTON	1	
8-39	95637101200	BUTTON,LOCK	1	
8-40	2603331720	BODY,STOP BUTTON,B	1	S/N S251511 and after
8-41	1783739480	CORD,STOP 430mm	2	
8-47	1641001900	TUBE,PROTECTION	1	
8-49	50437300200	GRIP,SHAFT	1	

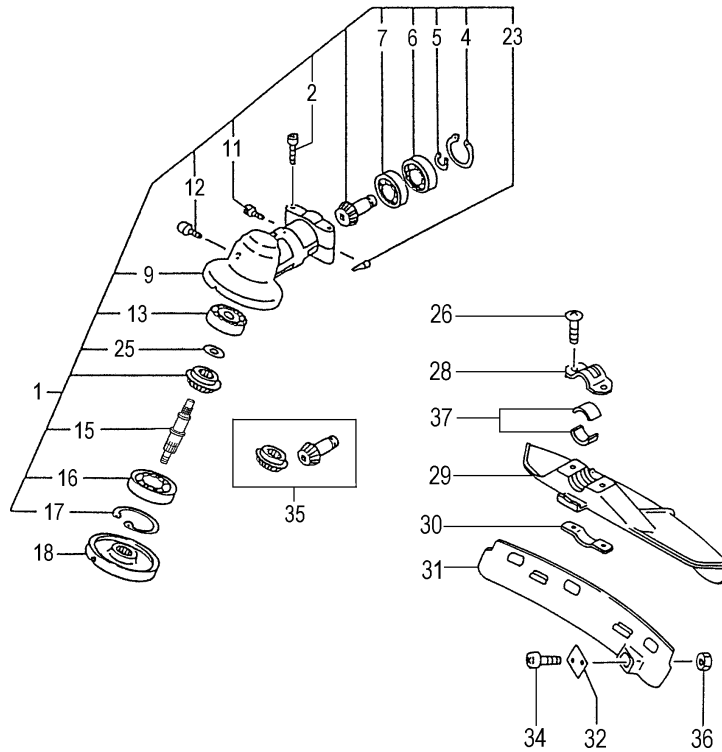


GEAR CASE, SAFETY GUARD • FIGURE 9A

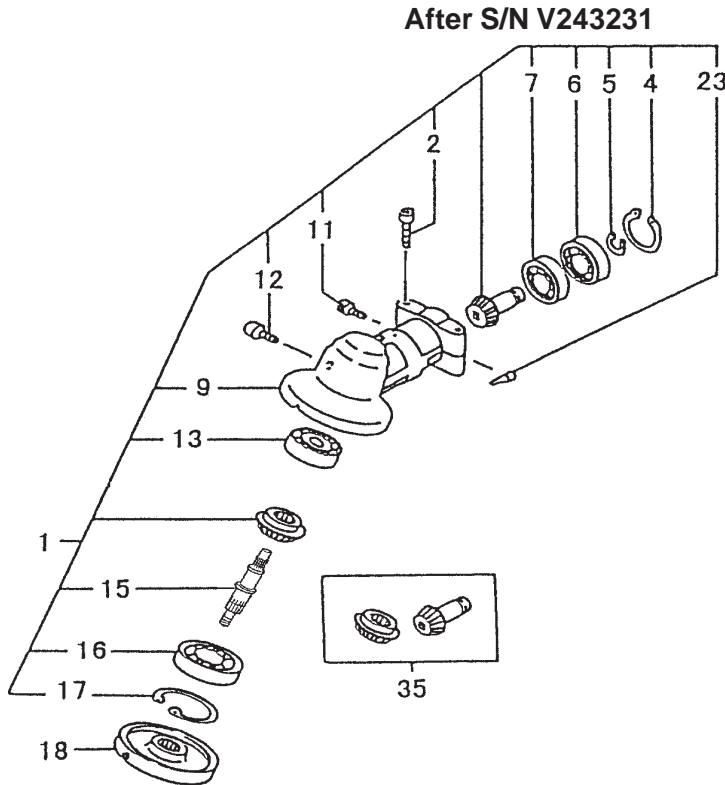
ITEM	PART NUMBER	DESCRIPTION	QTY	COMMENTS
9-1	3003741791	CASE, GEAR ASS'Y	1	Female Gear Case, Before S/N U215188
9-2	99461050254	BOLT, HEX HOLE, 5X25S	1	
9-4	99353022002	RING, STOP, R22 IN	1	
9-5	99350010002	RING, STOP, C-10 EX	1	
9-6	99961690001	BEARING, BALL, #6900ZZ	1	
9-7	99961690000	BEARING, BALL, #6900	1	
9-9	3003762320	CASE, GEAR	1	
9-11	99051050103	BOLT, HEX. HOLE, 5X10	1	
9-12	99423080100	BOLT, 8X10	1	
9-13	99961626000	BEARING, BALL, #626	1	
9-15	3043730720	SHAFT, GEAR	1	
9-16	99961600104	BEARING, BALL, #6001DD	1	
9-17	99351028002	RING, STOP, IN, C-28	1	
9-18	3103810020	CUTTER HOLDER 12X10X1	1	
9-19	31137300203	CAP, CUTTER HOLDER	1	Before S/N S251510
9-22	3123338620	BOLT, FIXING, L.H., FLANGED	1	Before S/N S251510
9-23	3243735020	WASHER, GEAR CASE	1	
9-26	99023060161	BOLT, 6X16 PLUS	2	Before S/N S251510
9-26	99481060254	SCREW, HEX HOLE 6X25	2	S/N S251511 and after
9-27	99210060062	WASHER, S, 6	2	Before S/N S251510
9-28	4423741720	BRACKET, SAFETY GUARD	2	Before S/N S251510
9-28	4423369921	BRACKET, SAFETY GUARD	1	S/N S251511 and after
9-29	44133905800	GUARD, SAFETY	1	Before S/N S251510
9-29	4413738020	GUARD, SAFETY	1	S/N S251511 and after
9-30	4453738020	HOLDER, GUARD	1	S/N S251511 and after
9-31	4473738020	EXTENSION, GUARD	1	S/N S251511 and after
9-32	7973738021	LIMITER, LINE	1	S/N S251511 and after
9-33	31633410200	PROTECTOR, BOLT	1	Before S/N S251510
9-34	99414050121	SCREW, S, 5X12	1	S/N S251511 and after
9-35	3013730001	SET, GEAR/PINION	1	
9-36	99101050011	NUT, 5	1	S/N S251511 and after
9-37	44437609200	SPACER, BRACKET	2	S/N S251511 and after

GEAR CASE, SAFETY GUARD • FIGURE 9B

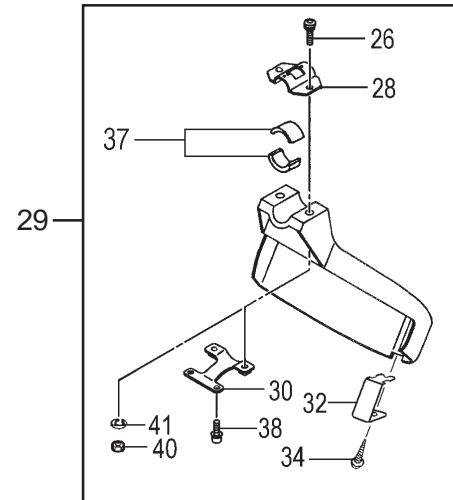
S/N U215189 through S/N V243231



ITEM	PART NUMBER	DESCRIPTION	QTY	COMMENTS
9-1	3003728690	CASE,GEAR,ASS'Y	1	Male Gear Case, From S/N U215189 to V243231
9-2	99461050254	BOLT,HEX HOLE,5X25S	2	
9-4	99351024002	RING,STOP,C-28,IN	1	
9-5	99350009002	RING,STOP,C9	1	
9-6	99961609002	BEARING,BALL,#609Z	1	
9-7	99961609000	BEARING,BALL,#609	1	
9-9	3003385020	CASE,GEAR	1	
9-11	99051050103	BOLT,HEX.HOLE,5X10	1	
9-12	99423080100	BOLT,8X10	1	
9-13	99961628000	BEARING,BALL,#628	1	
9-15	3043810020	SHAFT,GEAR	1	
9-16	99961620103	BEARING,BALL #6201D	1	
9-17	99351032002	RING,STOP,C-32 IN	1	
9-18	3103810020	HOLDER,CUTTER	1	
9-23	3243735020	WASHER,GEAR CASE	1	
9-25	0673713420	WASHER,SPECIAL	1	
9-26	99481060254	SCREW,HEX HOLE 6X25	2	
9-28	4423369921	BRACKET,SAFETY GUARD	1	
9-29	4413738020	GUARD,SAFETY	1	
9-30	4453738020	HOLDER,GUARD	1	
9-31	4473738020	EXTENSION,GUARD	1	
9-32	7973738021	LIMITER,LINE	1	
9-34	99414050121	SCREW,S,5X12	1	
9-35	3013713400	SET,GEAR PINION	1	
9-36	99101050011	NUT,5	1	
9-37	44437609200	SPACER,BRACKET	2	

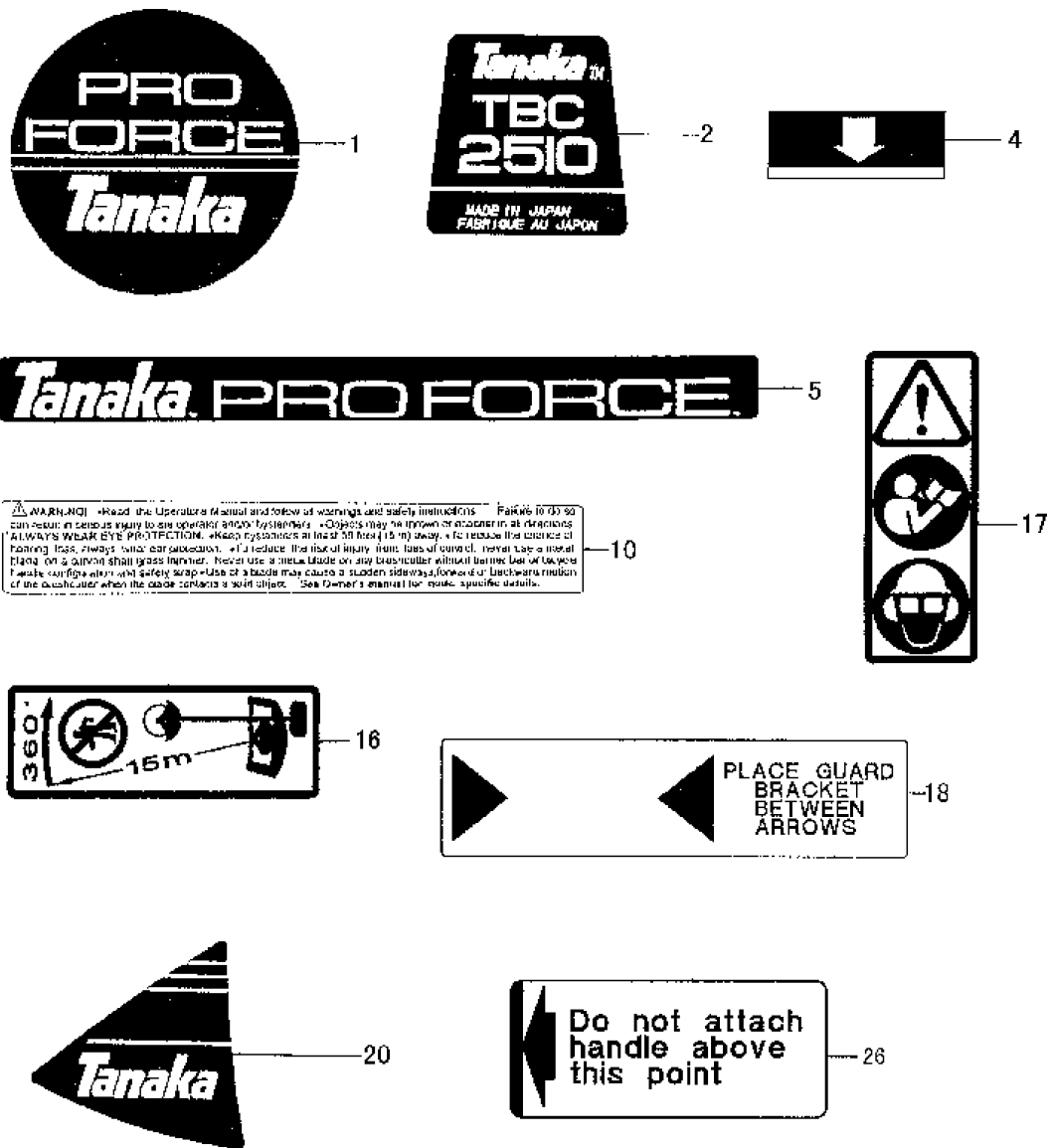


441-37587-00 Guard Kit

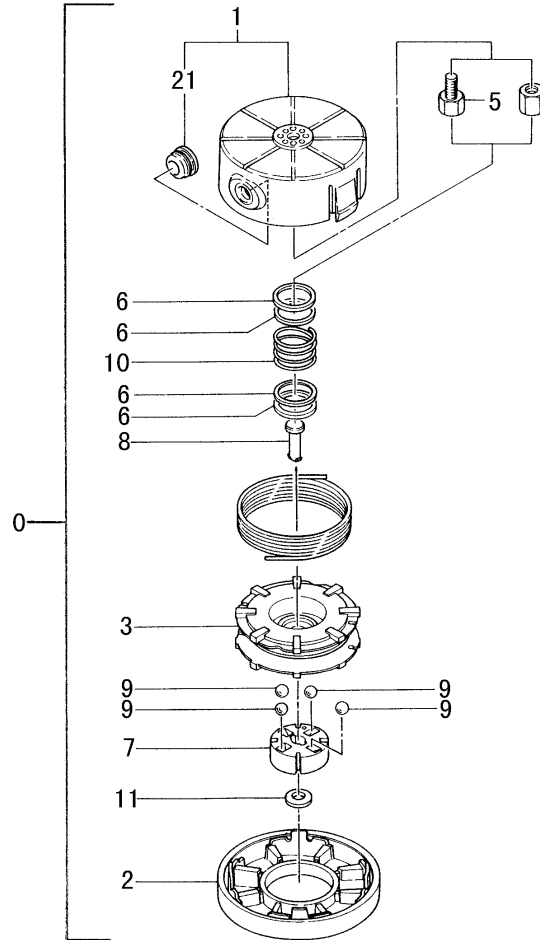


This guard kit is designed to fit all trimmers with 24 or 26 mm pipes. This guard is **NOT** approved for use with any metal blade.

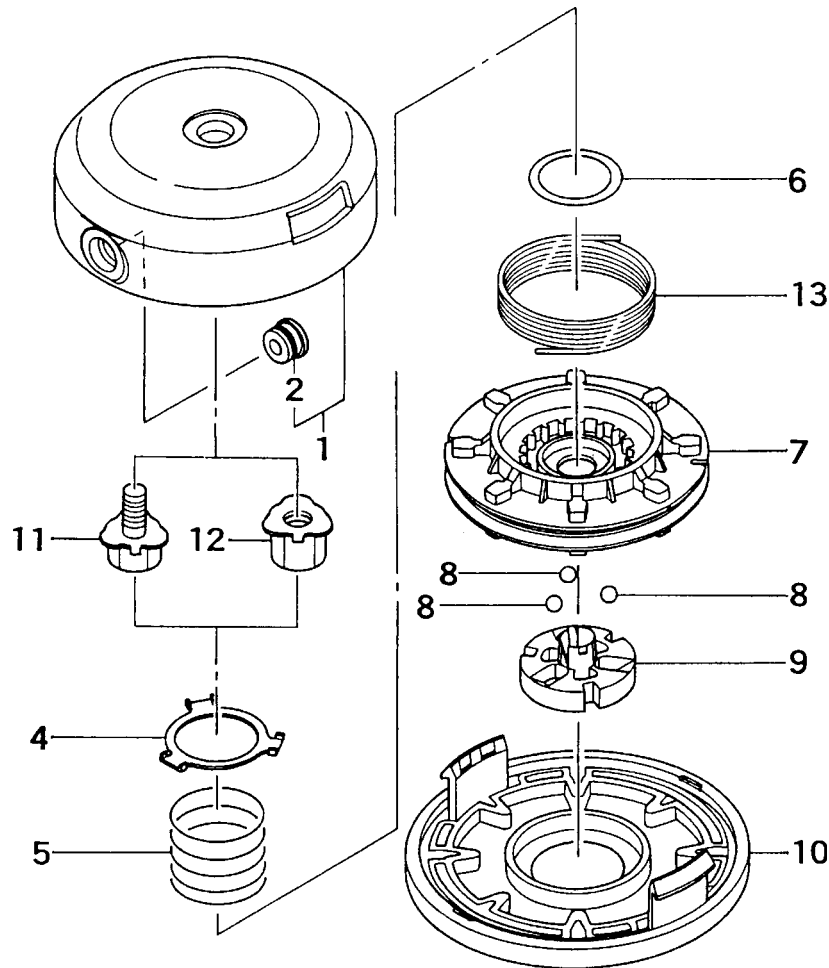
ITEM	PART NUMBER	DESCRIPTION	QTY	COMMENTS
9-1	3003815990	CASE,GEAR,ASS'Y	1	TBC-270PN
9-2	99461050254	BOLT,HEX HOLE,5X25S	2	
9-4	99351024002	RING,STOP,C-28,IN	1	
9-5	99350010002	RING,STOP,C9	1	
9-6	99961609002	BEARING,BALL,#609Z	1	
9-7	99961609000	BEARING,BALL,#609	1	
9-9	3003815020	CASE,GEAR	1	
9-11	99461050124	BOLT,HEX.HOLE	1	
9-12	3163815020	FITTING BOLT,M8	1	
9-13	99961609000	BEARING,BALL,#609	1	
9-15	3043810020	SHAFT,GEAR	1	
9-16	99961620103	BEARING,BALL #6201D	1	
9-17	99351032002	RING,STOP,C-32 IN	1	
9-18	3103815020	HOLDER,CUTTER	1	
9-23	3243735020	WASHER,GEAR CASE	1	
9-26	99481060254	SCREW,HEX HOLE 6X25	2	
9-28	4423741720	BRACKET,COVER	1	
9-29	4413758700	GUARD KIT	1	Guard kit includes mounting components as shown
9-30	4453815020	HOLDER,GUARD	1	
9-32	7973815020	LIMITER,LINE	1	
9-34	99317052002	SCREW	1	
9-35	3013815000	SET,GEAR PINION	1	
9-37	44437609200	SPACER,BRACKET	2	
9-38	99461050124	SCREW	2	Not included in guard kit shown above
9-40	99101060011	NUT,6	2	Included but not required for male gear case units
9-41	99201060011	WASHER,6	2	Included but not required for male gear case units



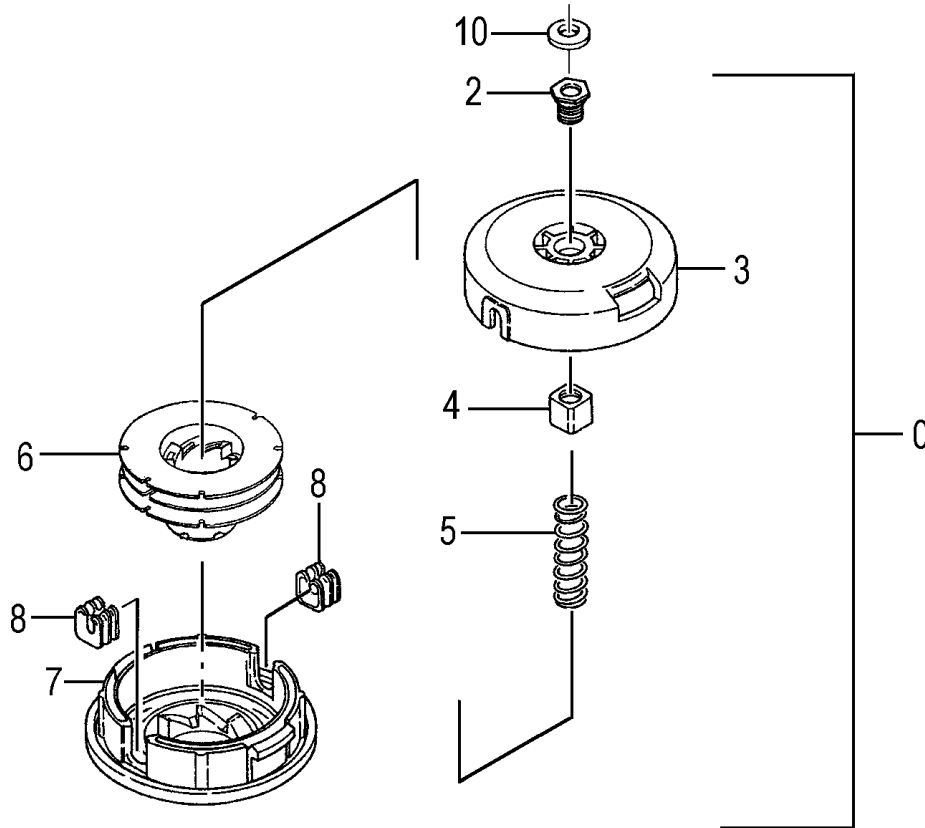
ITEM	PART NUMBER	DESCRIPTION	QTY	COMMENTS
10-1	95037503200	DECAL,PRO-FORCE A	1	
10-2	9063728020	DECAL	1	
10-4-1	92337400200	DECAL,LEVEL	1	Before S/N U215188
10-4	9233370020	DECAL,LEVEL	1	S/N U215189 and after
10-5-1	95131310200	DECAL,PRO-FORCE B	1	Before S/N S251510
10-5	95137503200	DECAL,PRO-FORCE B	1	S/N S251511 and after
10-10	9193738F20	DECAL,CAUTION,A	1	S/N S251511 and after
10-16	9193728620	DECAL,CAUTION	1	Before S/N S251510
10-17	9203246620	DECAL,CAUTION	1	Before S/N S251510
10-18	9233728620	DECAL,LEVEL	1	S/N U215189 and after
10-20	93337301200	DECAL,SYMBOL	1	Before S/N S251510
10-26	9233738F20	DECAL,LEVEL	1	S/N S251511 and after



ITEM	PART NUMBER	DESCRIPTION	QTY	COMMENTS
0	746251	HEAD,BRAIN (TH-95)	1	
1	78633004900	BODY,CUTTING,ASS'Y	1	
2	7893300421	CAP,BODY	1	
3	78733004202	REEL,(R S M X)	1	
5	3143367020	BOLT,8X1.25 LH	1	
6	79233004200	WASHER,REEL	4	
7	79033004200	SLIDER,REEL	1	
8	79133004200	HOOK,REEL SLIDER	1	
9	6733560020	BALL,STEEL	4	
10	7933391020	SPRING,REEL,SILVER	1	
11	35802103200	WASHER,CLUTCH A	1	
21	7883307120	EYELET	2	



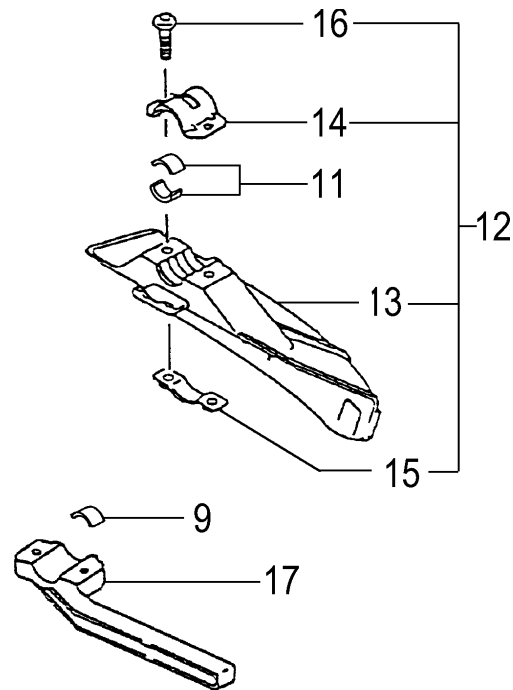
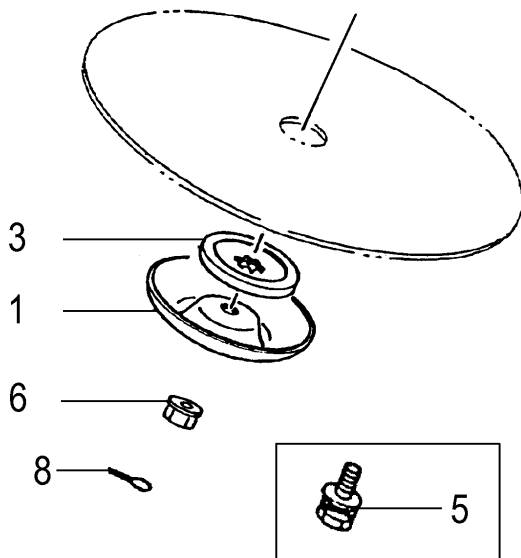
ITEM	PART NUMBER	DESCRIPTION	QTY	COMMENTS
	746751	HEAD,BRAIN (TH-97)	1	
1	7863381091	CUTTING BODY ASS'Y	1	
2	7883307120	EYELET	1	
3	7603381020	WASHER,MOUNTING	1	
4	7853381020	BASE,ADJUSTMENT	1	
5	7933381022	SPRING,REEL,YELLOW	1	
6	7923381020	WASHER,ADJUSTMENT	1	
7	7873381020	REEL	1	
8	6733560020	BALL,STEEL	3	
9	7903381020	SLIDER,REEL	1	
10	7893381020	CAP,BODY	1	
11	3143381280	MOUNTING BOLT	1	For female gear case
12	3153381080	MOUNTING NUT	1	For male gear case (2000 production)



ITEM	PART NUMBER	DESCRIPTION	QTY	COMMENTS
0	746451	HEAD,SEMI-AUTO 5"	1	After serial number V243231
2	3563383B20	ADAPTER,10X1.25 LHF	1	
3	78633830200	BODY,CUTTING	1	
4	31533830200	NUT,SPECIAL	1	
5	79333830200	SPRING	1	
6	78733830200	REEL	1	
7	78933830200	CAP,BODY	1	
8	78833830200	EYELET	2	
10	99201120011	WASHER,12	1	After serial number V243231



WARNING! Read the owners manual and follow all warnings and safety instructions. Failure to do so can result in serious injury to the operator and/or bystanders. Never attempt to mount a steel blade to a machine that is not specifically designed for that purpose. Never attempt to mount a steel blade without using all components of the blade attachment kit, including shoulder strap and barrier safety bar.



ITEM	PART NUMBER	DESCRIPTION	QTY	COMMENTS
1	30833410200	COVER,PROTECTION,B,8mm	1	8mm
1	3083786120	COVER,BOLT PROTECTOR,10mm	1	10mm
3	3113754720	CAP,CUTTER HOLDER,8mm	1	for use with 8x1.25 nut
3	3113815020	CAP,CUTTER HOLDER,10mm	1	for use with 10x1.25 nut
5	3123338620	BOLT,FLANGED,10x1.25,LH	1	10x1.25 bolt
6	3133754720	NUT,FIXING L.H. 8X1.25	1	8x1.25 nut
6	3133833220	NUT,FIXING L.H.,10X1.25	1	10x1.25 nut
8	3273718090	PIN,COTTER 2X20 (10 PACK)	1	
9	44437609200	SPACER,BRACKET	1	for use with barrier bar, 24mm shafts
11	44437609200	SPACER,BRACKET	2	
12	30060	KIT,BLADE GUARD	1	
13	4413738020	GUARD,SAFETY	1	
14	4423369921	BRACKET,SAFETY GUARD	1	
15	4453738020	HOLDER,GUIDE	1	
16	99481060254	SCREW,HEX HOLE 6X25	2	
17	5203339820	BAR,BARRIER 26mm	1	
18	746191	STRAP,SHOULDER,PSS-175	1	Includes mounting bracket/hardware