

***Tanaka***

**Parts Catalog**

**Brushcutter**

**Model: TBC-265/265SS**

All Units Prior to Serial Number L 086725

## Grass Trimmer Attachments

### TPS-200

Pruning Saw Attachment



The versatile TPS-200 Pruning Saw attachment easily converts Tanaka straight shaft grass trimmers / brushcutters into a powerful pruning saw.

#### TPS-200 Features:

- 24" Shaft Provides a 98" Overall Length when mounted
- 10" Oregon® Bar & Chain
- Easy-Mount Coupler

*To be used with the following Tanaka models:*

- AST-7000 / 210
- TBC-4500 / 4501 / 2211
- TBC-220 / 240
- TBC-250 / 2510 / 265
- TBC-270PF/PN



TPS-EXT Pruning Saw **Extension** (Part # 748511)  
Add an **extra two feet of reach** with this pruning saw extension that will fit on both the TPS-2510 and TPS-270PN Pruning Saws. In addition, it can be added to Tanaka straight shaft grass trimmers that utilize the TPS-200 Pole Saw Attachment.

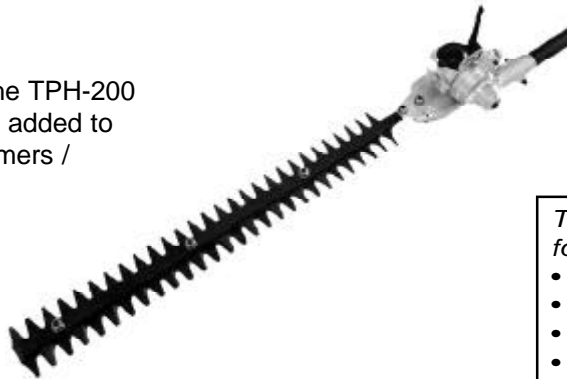
### TPH-200

Pole Hedge Trimmer Attachment

For added reach and maneuverability, the TPH-200 Pole Hedge Trimmer attachment can be added to several Tanaka straight shaft grass trimmers / brushcutters.

#### TPH-200 Features:

- 22" Double Sided Cutting Blades
- Articulating / Pivoting Cutting Angle up to 130 degrees.



*To be used with the following Tanaka models:*

- AST-7000 / 210
- TBC-4500 / 4501 / 2211
- TBC-220 / 240
- TBC-250 / 2510 / 265
- TBC-270PF/PN

### TMC-200

Mini-Cultivator

This simple, easy to install attachment is ideal for quick garden / flower bed weeding and cultivation. For maximum depth, the TMC-200 can dig up to 4 inches into the ground.

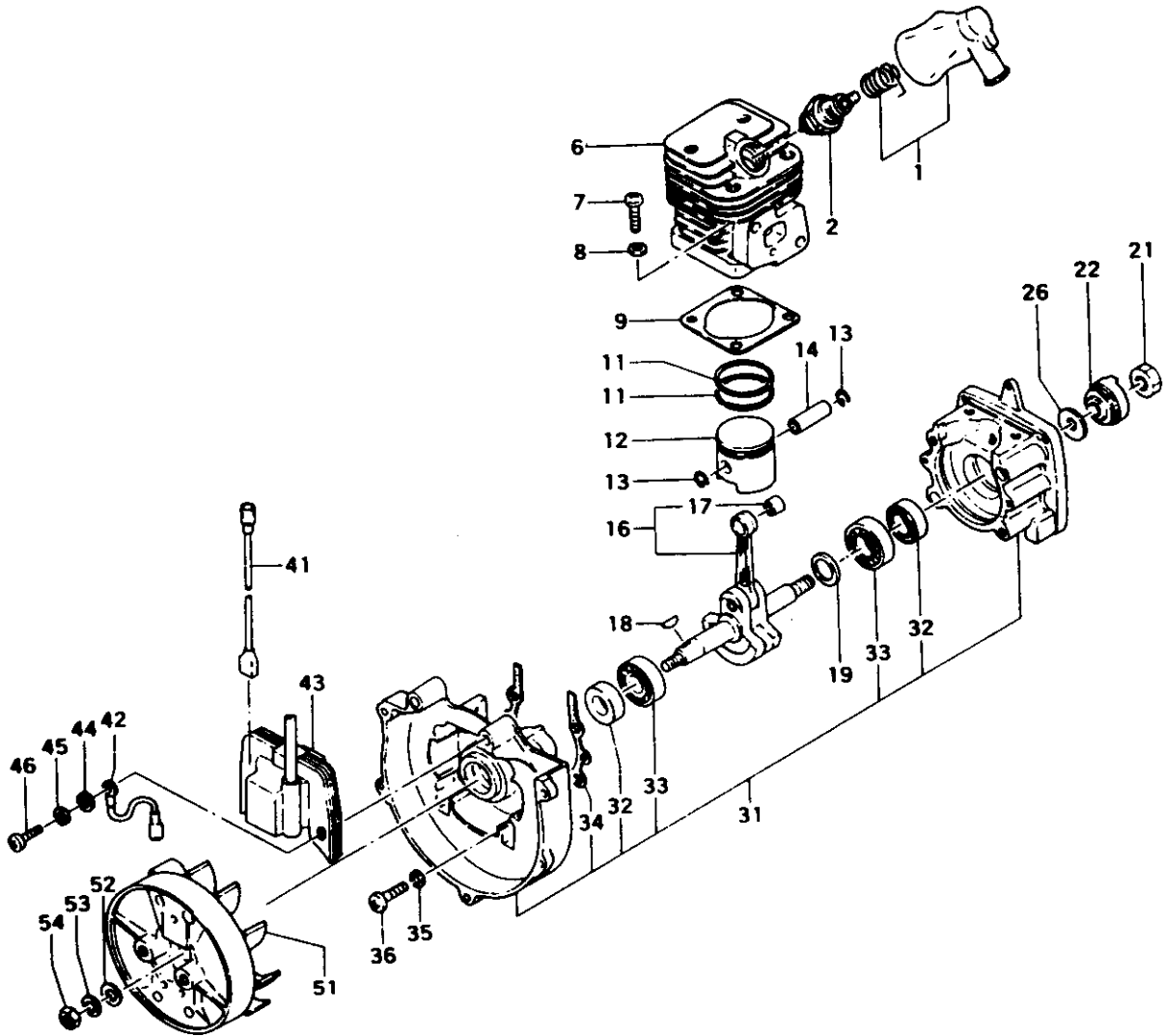


*To be used with the following Tanaka models:*

- AST-7000 / 210
- TBC-4500 / 4501 / 2211
- TBC-220 / 240
- TBC-250 / 2510 / 265
- TBC-270PF/PN
- TBC-300 / 3010
- TBC-420PF

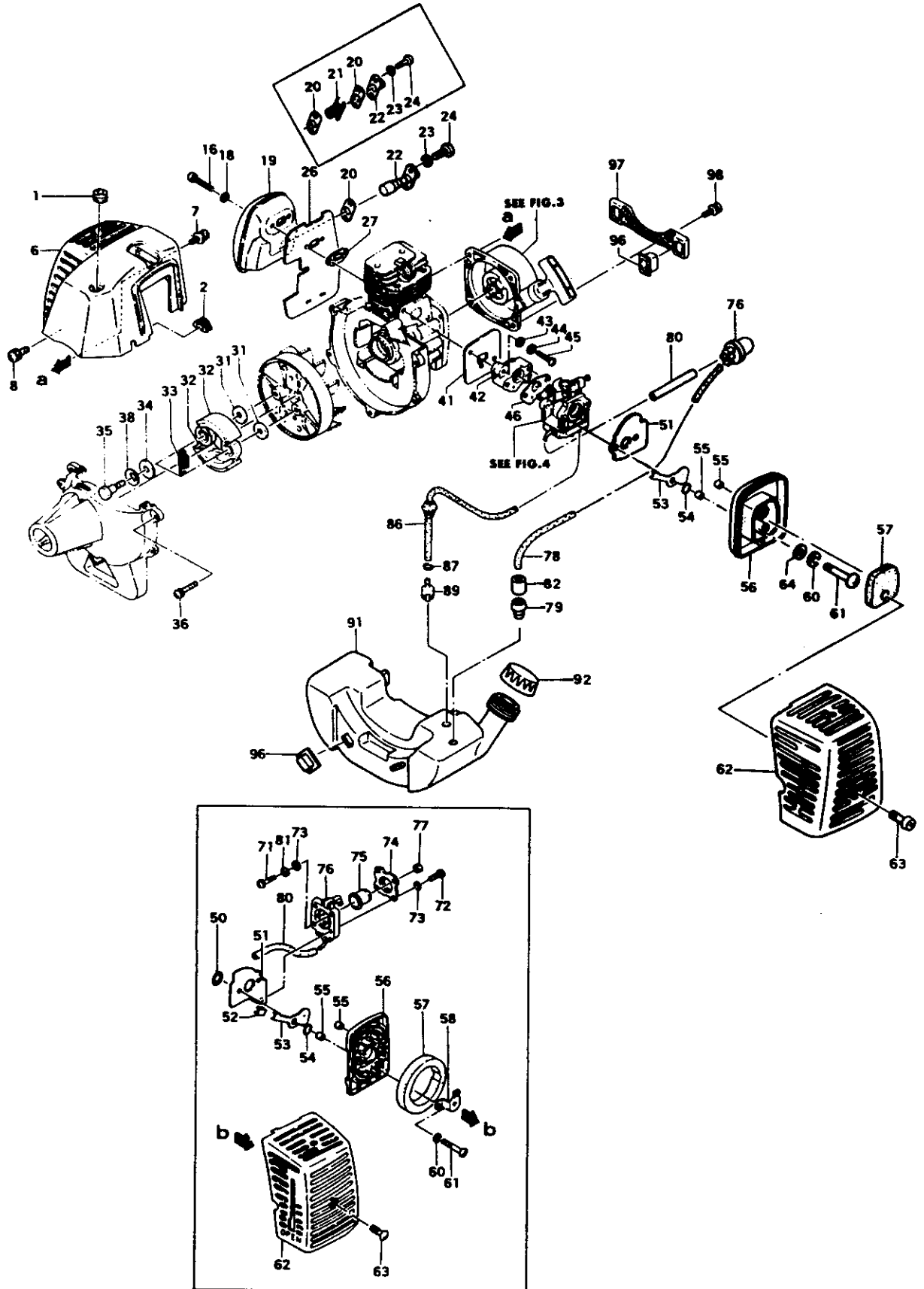
All data and specifications are subject to change without notice  
For more information, contact:

**FIG. 1 ENGINE**



REF. NBR	PART NBR	PART NAME	QTY	SERIAL NBR	REMARKS
1-001	157-0097A-900	SPARK PLUG CAP ASS'Y	1		
1-002	018-02233-200	SPARK PLUG CJ6	1	R -N006100	
1-002	018-01805-200	SPARK PLUG CJ8	1	N006101-	
1-006	002-0165A-200	CYLINDER	1	-N006100	
1-006	002-0165A-201	CYLINDER	1	P N006101-	
1-007	990-11050-161	SCREW 5X16	4		
1-008	992-10050-012	S. WASHER 5	4		
1-009	017-00940-200	CYLINDER GASKET	1		
1-011	041-01601-200	PISTON RING	2		
1-012	031-01620-200	PISTON	1		
1-013	039-00000-201	PISTON PIN CIRCLIP	2		
1-014	037-01700-200	PISTON PIN	1		
1-016	046-0165A-800	CRANK SHAFT COMP.	1		
1-017	999-62091-338	NEEDLE BEARING KTV91313	1		
1-018	068-10100-200	WOOD-RUFF KEY 3X13X4.5	1		
1-019	330-00200-210	GEAR SHAFT SHIM 0.10	V		
1-019	330-00200-220	GEAR SHAFT SHIM 0.15	V		
1-019	330-00200-230	GEAR SHAFT SHIM 0.20	V		
1-019	330-00200-240	GEAR SHAFT SHIM 0.30	V		
1-021	991-01080-011	HEX. NUT 8	1		
1-022	798-00940-201	STARTER PULLEY	1	R -J064551	
1-022	798-01630-200	STARTER PULLEY	1	J064552-	
1-026	359-10112-203	CLUTCH WASHER B	1		
1-031	072-00970-900	CRANK CASE ASS'Y	1		
1-032	999-66122-266	OIL SEAL 12227	2		
1-033	999-61600-100	BALL BEARING #6001	2		
1-034	090-00601-205	CRANK CASE GASKET	1	I -K254880	
1-034	090-00601-206	CRANK CASE GASKET	1	K254881-	
1-035	992-10050-012	S. WASHER 5	4		
1-036	990-11050-251	SCREW 5X25	4		
1-041	178-0097A-800	STOP CORD COMP.	1		
1-042	274-0097A-800	EARTH CORD COMP.	1		
1-043	167-20508-800	IGNITION COIL COMP.	1		
1-044	992-00050-011	SMALL WASHER 5	2		
1-045	992-10050-012	S. WASHER 5	2		
1-046	990-11050-201	SCREW 5X20	2		
1-051	155-20509-800	MAGNETO ROTOR COMP.	1		
1-052	992-00080-011	SMALL WASHER 8	1		
1-053	992-10080-012	S. WASHER 8	1	D K186346-	
1-054	991-01080-011	HEX. NUT 8	1		

# FIG.2 ENGINE COMPONENTS

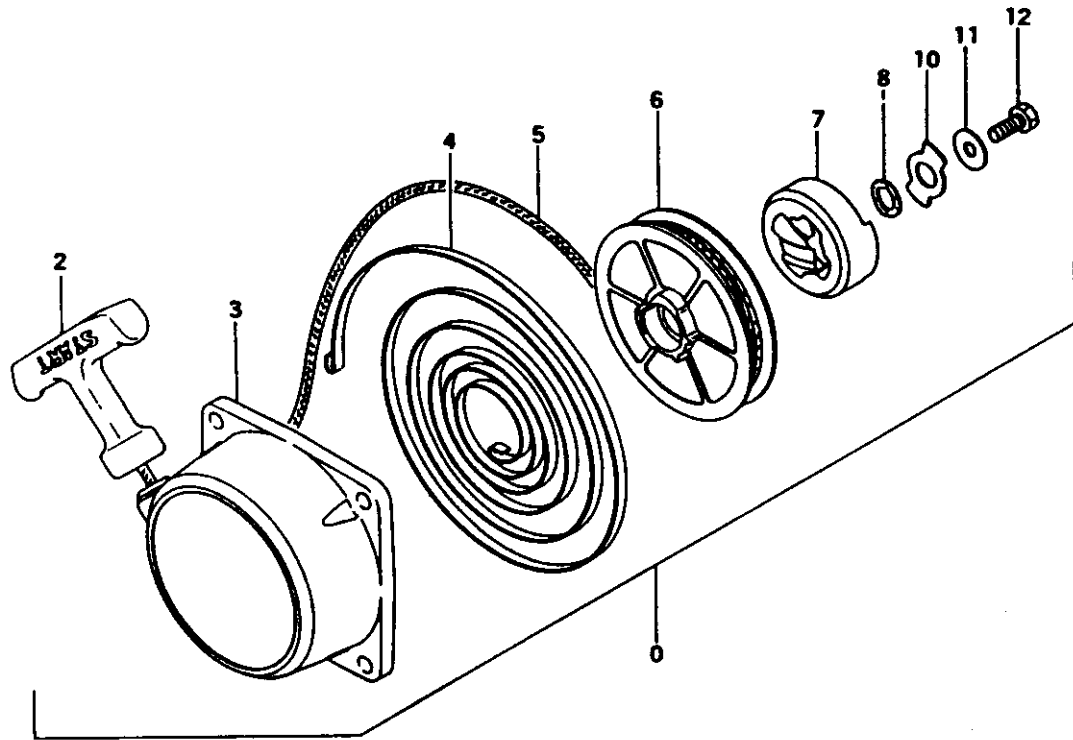


REF. NBR	PART NBR	PART NAME	QTY	SERIAL NBR	REMARKS
2-001	202-01003-201	SECONDARY CORD GROMMET	1		
2-002	203-11660-200	PRIMARY CORD GROMMET	1		
2-006	738-0097A-201	MUFFLER PROTECTOR	1		
2-007	994-15040-222	SCREW 4X22/PS	2		
2-008	994-15050-122	SCREW 5X12/PS	2		
2-016	990-53060-503	HEX. HOLE SCREW 6X50	2		
2-018	992-01080-011	WASHER 6	2		
2-019	706-0097A-800	MUFFLER COMP.	1	-K254880	
2-019	706-0165V-800	MUFFLER COMP.	1	N	K254881-
2-020	751-04200-200	MUFFLER GASKET	2	I	-H243520
2-020	751-04200-201	MUFFLER GASKET	2		H243521-
2-020	751-04200-201	MUFFLER GASKET	1		K254881-
2-021	732-0631A-200	SPARK ARRESTOR, USA ONLY	1	D	K254881-
2-022	721-0097A-800	TAIL PIPE COMP.	1		-K254880
2-022	721-0098A-801	TAIL PIPE COMP.	1	M	K254881-
2-023	992-10040-012	S.WASHER 4	2		
2-024	990-11040-081	SCREW 4X8	2		
2-026	737-0097A-200	HEAT SHIELD	1	M	
2-026	133-0097A-200	HEAT SHIELD	1		
2-027	737-0165A-200	MUFFLER GASKET	1	I	-H243520
2-027	737-0165A-201	MUFFLER GASKET	1		H243521-
2-031	359-02103-200	CLUTCH WASHER B	2		
2-032	290-01620-800	CLUTCH SHOE COMP.	2		
2-033	342-0630B-200	CLUTCH SPRING	1		
2-034	358-02103-200	WASHER	2		-G228070
2-034	348-0602R-200	CLUTCH PLATE A	2	M	G228071-
2-035	357-0075T-200	STEP BOLT	2		
2-036	994-14050-182	SCREW 5X16/S	3		
2-038	992-05080-030	BEND WASHER 8	2	N	G228071-
2-041	403-0097A-200	INLET MANIFOLD GASKET	1		
2-042	404-0097A-800	CARBURETOR INSULATOR COMP.	1		
2-043	992-00050-011	SMALL WASHER 5	2		
2-044	992-10050-012	S.WASHER 5	2		
2-045	990-11050-241	SCREW 5X24	2		
2-046	402-0602K-200	CARBURETOR GASKET	1	I	-J064551
2-046	402-0602K-201	CARBURETOR GASKET	1		J064551-
2-050	431-0602K-200	AIR CLEANER GASKET	1	D	H243521-
2-051	436-0097A-200	CLEANER BASE	1	I	-G228070
2-051	436-0097A-201	CLEANER BASE	1		G228071-
2-051	436-0162V-200	CLEANER BASE	1	M	K254881-
2-052	532-01251-200	CHOKE LEVER CAP	1	D	K254881-
2-053	528-0097A-201	CHOKE LEVER	1		-K254880
2-053	528-0097A-210	CHOKE LEVER	1	M	K254881-
2-054	999-67008-012	O-RING S-8	1		
2-055	470-0602N-200	CLEANER COLLAR	1		
2-056	423-0162V-200	CLEANER BODY	1		-K254880
2-056	423-0637C-800	CLEANER BODY COMP.	1	M	K254881-
2-057	446-0162V-200	CLEANER ELEMENT	1		-K254880
2-057	446-0637C-200	CLEANER SPONGE	1	M	K254881-
2-058	476-01800-200	BLOW OVER CHECK BOARD	1	D	K254881-
2-060	992-10050-012	S.WASHER 5	2		
2-061	990-11050-571	SCREW 5X57	2		-K254880
2-061	990-11050-551	SCREW 5X55	2	M	K254881-
2-062	452-0097A-200	CLEANER COVER	1	R	-G228070
2-062	452-0097A-201	CLEANER COVER	1		G228071-
2-062	452-0097A-210	CLEANER COVER	1	P	H243521-
2-062	452-0165V-200	CLEANER COVER	1	M	K254881-
2-063	380-0631A-200	CLEANER COVER BOLT	1		-K254880
2-063	380-0637C-200	SPECIAL SCREW	1	M	K254881-
2-064	992-00050-011	SMALL WASHER 5	2	M	K254881-
2-071	990-11030-101	SCREW 3X10	2	D	K254881-
2-072	990-11030-121	SCREW 3X12	2	D	K254881-
2-073	992-01030-011	WASHER 3	2	M	

- To be cont'd -

REF. NBR	PART NBR	PART NAME	QTY	SERIAL NBR	REMARKS
2-073	992-00030-011	SMALL WASHER 3	2	D K254881-	
2-074	476-25016-200	DIAPHRAGM COVER	1	D K254881-	
2-075	447-25108-200	PRIMING BODY	1	D K254881-	
2-076	442-25106-800	PRIMING PUMP BODY COMP.	1	-K254880	
2-076	422-25143-800	PRIMING PUMP COMP.	1	N K254881-	
2-077	991-01030-011	HEX. NUT 3	2	D K254881-	
2-078	700-03005-100	FUEL PIPE 3X5X100	1	-K254880	
2-078	700-02504-080	FUEL PIPE 2.5X4X80	1	N K254881-	
2-079	222-06300-200	FUEL PIPE GROMMET	1	-L046250	
2-079	534-32710-200	RETURN GROMMET	1	N L046251-	
2-080	700-02504-085	FUEL PIPE 2.5X4X85	1	-L046250	
2-080	700-02504-080	FUEL PIPE 2.5X4X80	1	N L046251-	
2-081	992-10030-012	S. WASHER 3	4	D K254881-	
2-082	700-13005-015	RUBBER PIPE	1	N K254881-	
2-082	700-13005-015	RUBBER PIPE	1	D L046251-	
2-086	223-0162V-900	FUEL PIPE ASS'Y	1		
2-087	680-00731-201	CLIP	1		
2-089	675-11600-900	PUMP FILTER BODY ASS'Y	1		
2-091	591-0097A-201	TANK	1	-L046250	
2-091	591-0165V-202	FUEL TANK, VERMILION	1	N L046251-	
2-092	595-0062A-901	TANK CAP ASS'Y	1		
2-096	655-00940-200	FUEL TANK CUSHION RUBBER	4	I -G228070	
2-096	655-00940-201	FUEL TANK CUSHION RUBBER	4	G228071-	
2-097	653-0097A-200	TANK BRACKET	1		
2-098	994-15040-222	SCREW 4X22/PS	2		

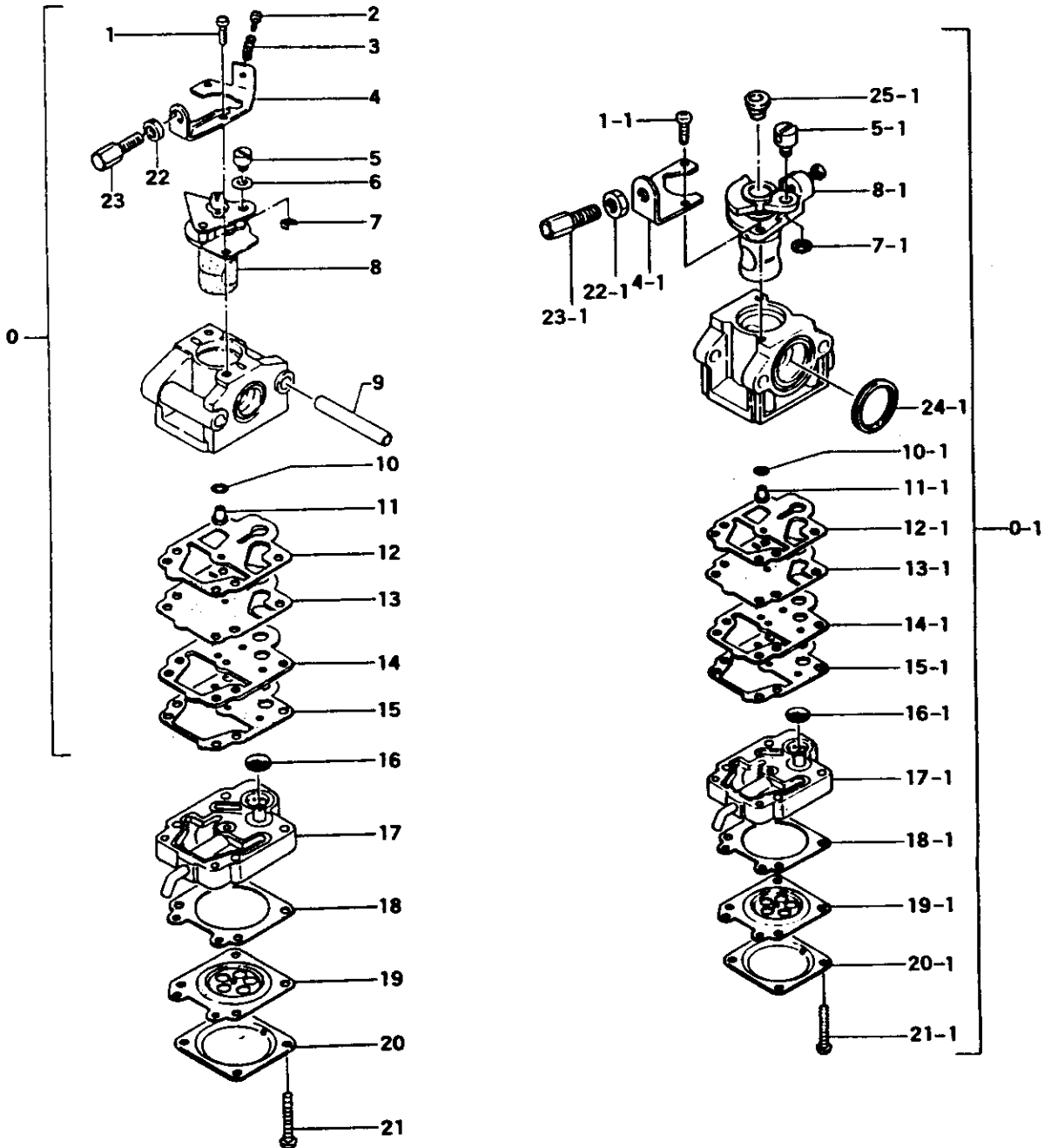
# FIG.3 RECOIL STARTER



REF. NBR	PART NBR	PART NAME	QTY	SERIAL NBR	REMARKS
3-000	782-00940-900	RECOIL STARTER BODY ASS'Y	1	I -J003650	
3-000	782-00940-901	RECOIL STARTER BODY ASS'Y	1	J003651-	
3-002	785-00940-200	STARTER HANDLE	1		
3-003	772-00940-800	RECOIL STARTER BODY COMP.	1	I -J003650	
3-003	772-00940-801	RECOIL STARTER BODY COMP.	1	J003651-	
3-004	780-00940-200	RECOIL SPRING	1		
3-005	783-00940-200	STARTER ROPE	1		
3-006	774-00940-200	RECOIL STARTER REEL	1		
3-007	788-00940-200	STARTER PAVL	1		
3-008	801-05015-200	STARTER REEL WASHER	1		
3-010	837-05015-200	FRICTION PLATE	1		
3-011	822-05015-200	STARTER REEL SHIM	1		
3-012	839-05015-200	SET BOLT	1		

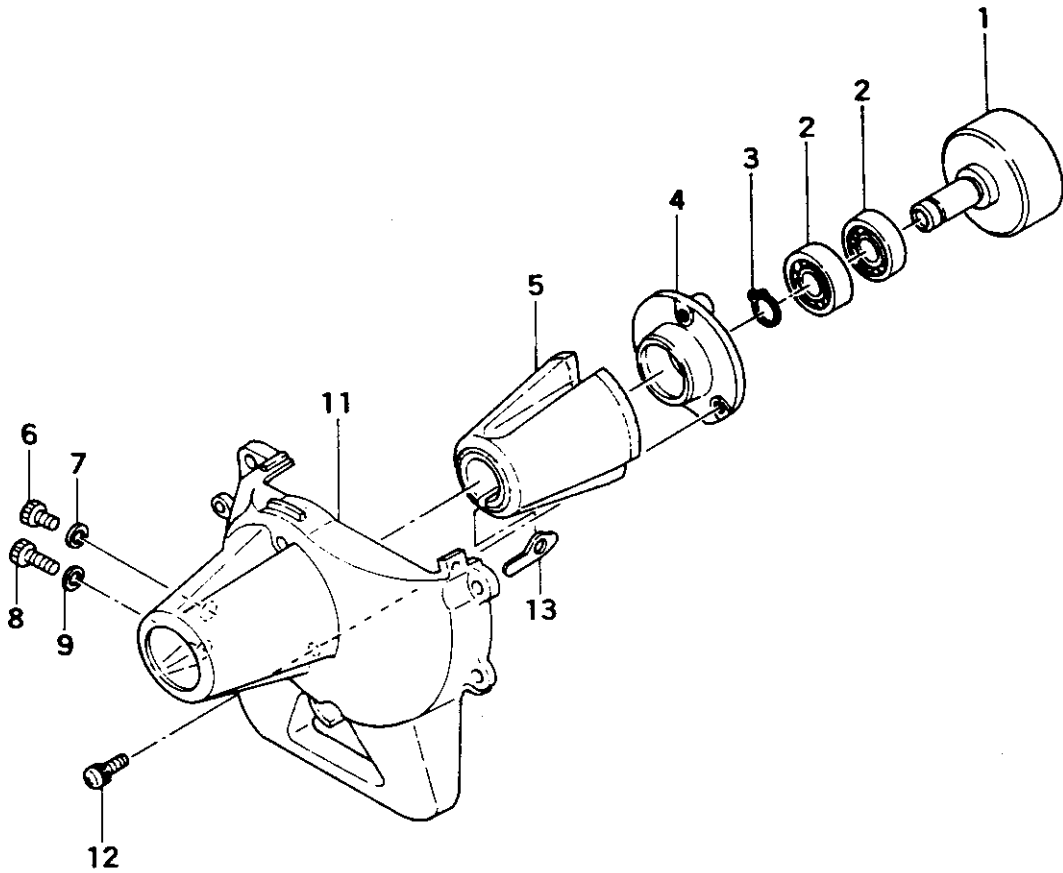


# FIG. 4 CARBURETOR



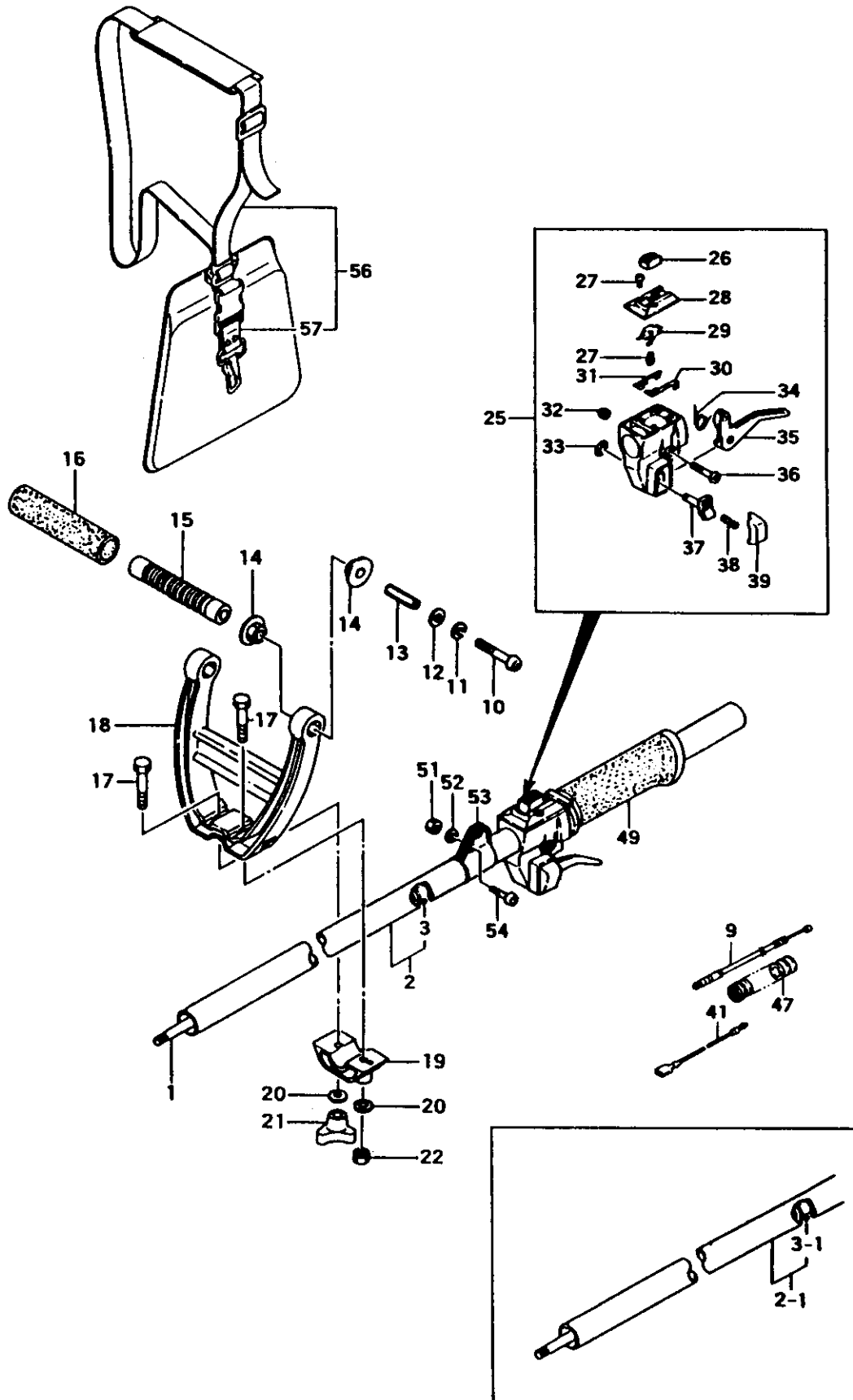
REF. NBR	PART NBR	PART NAME	QTY	SERIAL NBR	REMARKS
4-000	455-25115-900	CARBURETOR ASS'Y	1	-H243520	
4-000,1	455-25127-900	CARBURETOR ASSY. WYJ-5	1	H243521-	
4-000,1	455-25142-900	CARBURETOR ASS'Y. WYJ34	1	K254881-	
4-001	514-25100-200	THROTTLE SET SCREW	2		
4-002	462-25100-201	IDLE ADJUST SCREW	1		
4-003	463-25100-200	IDLE ADJUST SPRING	1		
4-004	544-25100-200	ADJUSTER STAY	1		
4-005	539-25101-200	SWIVEL	1		
4-006	549-25100-200	THRUST WASHER	1		
4-007	489-25100-200	STOP RING	1		
4-008	488-25106-800	THROTTLE VALVE COMP.	1		
4-009	437-25100-200	SLEEVE	2		
4-010	550-25100-200	O-RING	1		
4-011	599-2000W-430	MAIN JET #43	1		
4-012	577-25100-200	PUMP GASKET	1		
4-013	576-25100-200	PUMP DIAPHRAGM	1		
4-014	523-25100-201	PUMP PLATE	1		
4-015	522-25100-200	CIRCUIT PLATE	1		
4-016	578-25007-200	INLET SCREEN	1		
4-017	575-25105-800	PUMP BODY COMP	1		
4-018	475-25001-200	DIAPHRAGM GASKET	1		
4-019	474-25001-800	METERING DIAPHRAGM COMP.	1		
4-020	476-25004-200	DIAPHRAGM COVER	1		
4-021	548-25101-200	SET SCREW	4		
4-022	613-25100-200	CABLE ADJUST NUT	1		
4-023	614-25100-200	CABLE ADJUSTER	1		
4-001,1	514-25100-200	THROTTLE SET SCREW	2		
4-004,1	544-25120-200	CABLE ADJUST STAY	1		
4-005,1	539-25120-200	SWIVEL	1		
4-007,1	489-25100-200	STOP RING	1		
4-008,1	488-25120-900	THROTTLE VALVE ASSY	1	-K254880	
4-008,1	488-25129-800	THROTTLE VALVE COMP.	1	K254881-	
4-010,1	550-25100-200	O-RING	1		
4-011,1	599-2000W-430	MAIN JET #43	1	-K254880	
4-011,1	599-2000W-420	MAIN JET #42	1	K254881-	
4-012,1	577-25100-200	PUMP GASKET	1		
4-013,1	576-25100-200	PUMP DIAPHRAGM	1		
4-014,1	523-25100-201	PUMP PLATE	1		
4-015,1	522-25100-200	CIRCUIT PLATE	1		
4-016,1	578-25007-200	INLET SCREEN	1		
4-017,1	575-25124-800	PUMP BODY COMP.	1	-K254880	
4-017,1	575-25130-800	PUMP BODY COMP.	1	K254881-	
4-018,1	475-25001-200	DIAPHRAGM GASKET	1		
4-019,1	474-25001-800	METERING DIAPHRAGM COMP.	1		
4-020,1	476-25004-200	DIAPHRAGM COVER	1		
4-021,1	548-25101-200	SET SCREW	4		
4-022,1	613-25100-200	CABLE ADJUST NUT	1		
4-023,1	614-25100-200	CABLE ADJUSTER	1	-K254880	
4-023,1	614-25137-200	CABLE ADJUSTER	1	K254881-	
4-024,1	431-0634C-200	CLEANER PACKING	1		
4-025,1	537-25120-200	PLUG	1		

# FIG.5 CLUTCH CASE



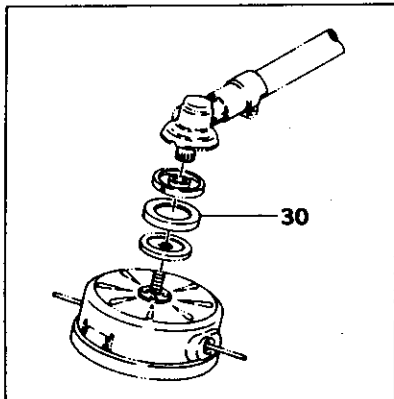
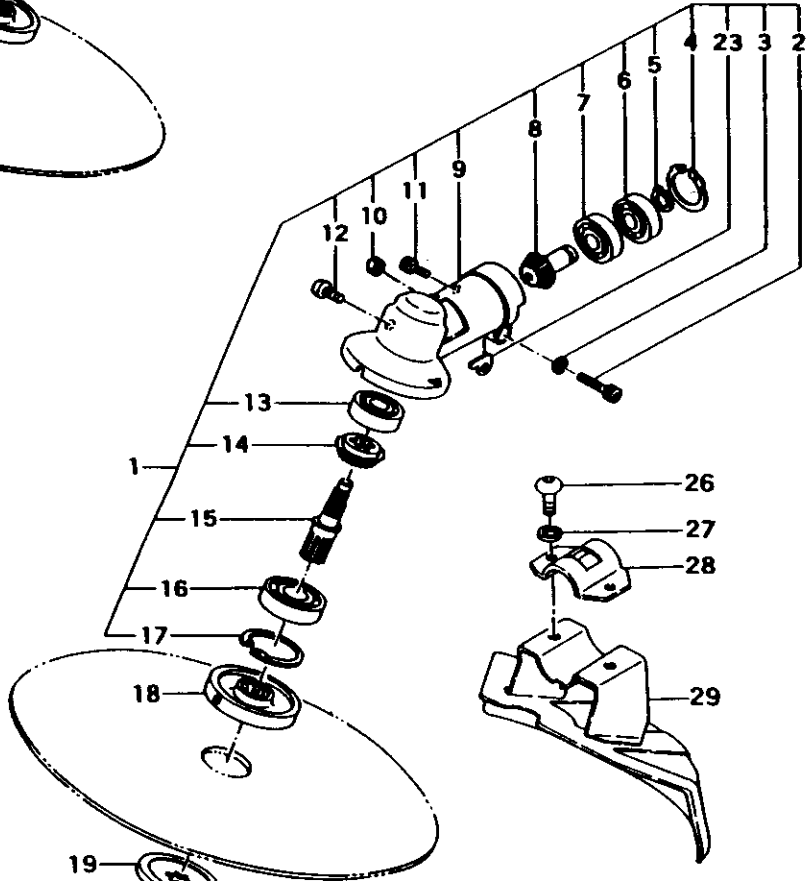
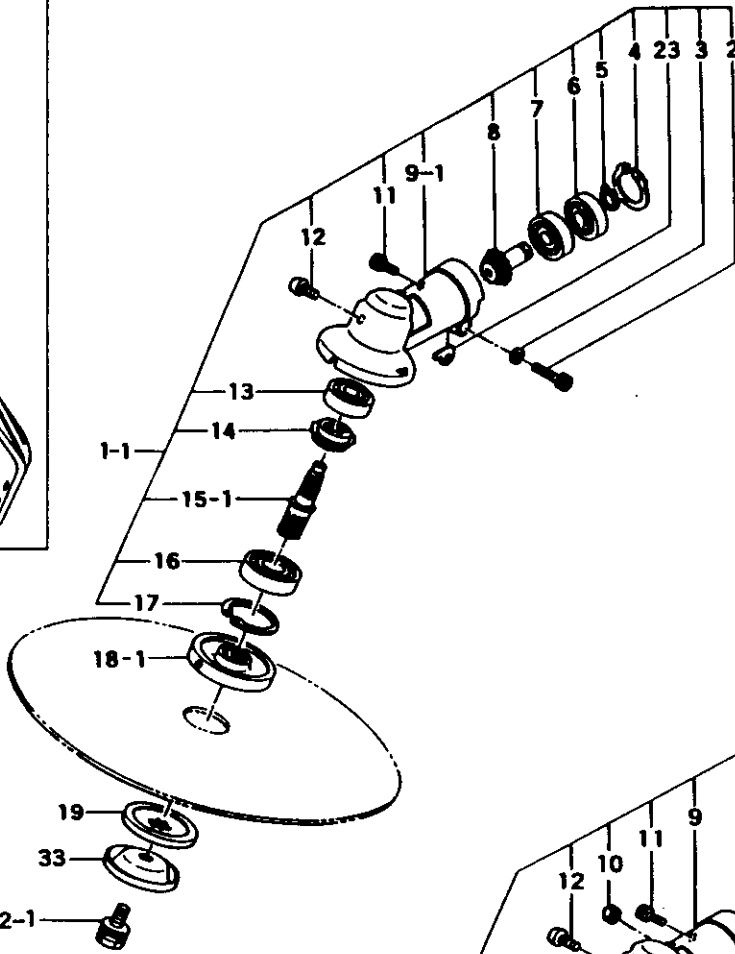
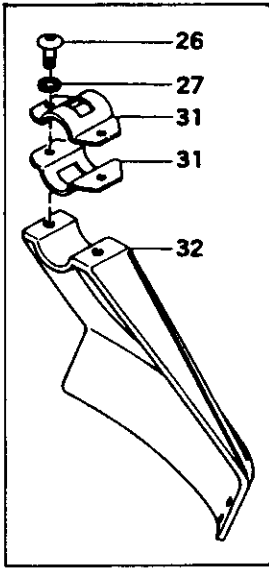
REF. NBR	PART NBR	PART NAME	QTY	SERIAL NBR	REMARKS
5-001	289-0631A-800	CLUTCH DRUM COMP.	1	R -J064551	
5-001	289-0631A-801	CLUTCH DRUM COMP.	1	I J064552-	
5-001	289-0631A-802	CLUTCH DRUM COMP.	1	J182051-	
5-002	999-61800-103	BALL BEARING 6001D	2		
5-003	993-50012-002	STOP RING C-12 EX	1		
5-004	374-0631A-200	CLUTCH FLANGE	1		
5-005	599-0165A-800	CUSHION RUBBER COMP.	1	R -H006100	
5-005	599-0165A-801	CUSHION RUBBER COMP.	1	H006101-	
5-006	990-51050-103	HEX. HOLE BOLT 5X10	1		
5-007	992-10050-062	S. WASHER 5	1	D K116893-	
5-008	990-51050-203	HEX. HOLE BOLT 5X20	1		
5-009	992-10050-062	S. WASHER 5	1		
5-011	112-0097A-200	FAN CASE	1	R -H006100	
5-011	112-0097A-201	FAN CASE	1	H006101-	
5-012	994-14050-122	SCREW 5X12/S	3		
5-013	249-0165A-200	SPACER	1	N J003651-	

**FIG.6 HANDLE**



REF. NBR	PART NBR	PART NAME	QTY	SERIAL NBR	REMARKS
6-001	343-37300-200	DRIVE SHAFT	1		
6-002	341-37350-800	DRIVE SHAFT PIPE COMP.	1	-H272500	
6-002.1	341-37356-800	DRIVE SHAFT PIPE COMP.	1	H272501-	
6-003	347-37350-900	BUSHING ASS'Y	5	-H272500	
6-003.1	347-37356-900	BUSHING ASS'Y	5	H272501-	
6-009	885-0097A-800	THROTTLE WIRE COMP.	1		
6-010	990-11060-554	SCREW 6X55	2		
6-011	992-10060-062	S.WASHER 6	2		
6-012	761-37400-200	WASHER A 2.3	2		
6-013	513-37400-200	HANDLE HOLDER	2		
6-014	319-37400-200	CUSHION RUBBER	4		
6-015	490-37400-800	HANDLE INNER COMP.	1		
6-016	503-37400-200	HANDLE GRIP	1		
6-017	990-21060-504	HEX. BOLT 6X50	2		
6-018	500-37350-200	HANDLE	1		
6-019	506-37350-200	HANDLE BRACKET A	1		
6-020	359-02103-200	CLUTCH WASHER B	2		
6-021	512-33700-800	HANDLE KNOB COMP.	1		
6-022	991-01060-041	HEX. NUT 6	2		
6-025	870-37003-900	THROTTLE LEVER ASS'Y	1		
6-026	162-37101-200	STOP SWITCH	1		
6-027	993-42030-081	TAPPING SCREW 3X8	3		
6-028	259-37101-200	STOP SWITCH BASE	1		
6-029	262-37101-200	STOP SWITCH SPRING	1		
6-030	177-37101-200	EARTH TERMINAL B	1		
6-031	176-37101-200	EARTH TERMINAL A	1		
6-032	991-86050-000	SELF-LOCK NUT 5	1		
6-033	993-55060-001	STOP RING 6	1		
6-034	832-37101-200	RETURN SPRING	1		
6-035	880-37101-200	THROTTLE ARM	1		
6-036	994-31050-251	SCREW 5X25	1		
6-037	853-37101-200	LOCK BUTTON SHAFT	1		
6-038	958-37101-200	LOCK BUTTON SPRING	1		
6-039	956-37101-200	LOCK BUTTON	1		
6-041	178-37300-801	STOP CORD COMP.	2		
6-047	164-13014-010	PROTECTION TUBE 13X140L	1		
6-049	504-37003-200	SHAFT GRIP	1		
6-051	991-01050-041	NUT 5	1		
6-052	992-10050-062	S.WASHER 5	1		
6-053	335-33682-200	LIFTING METAL	1		
6-054	990-51050-163	HEX. HOLE BOLT 5X16	1		
6-056	746-33564-900	SHOULDER BELT ASSY, KOREAN MAKE	1		
6-057	748-33564-900	HOOK ASS'Y	1		

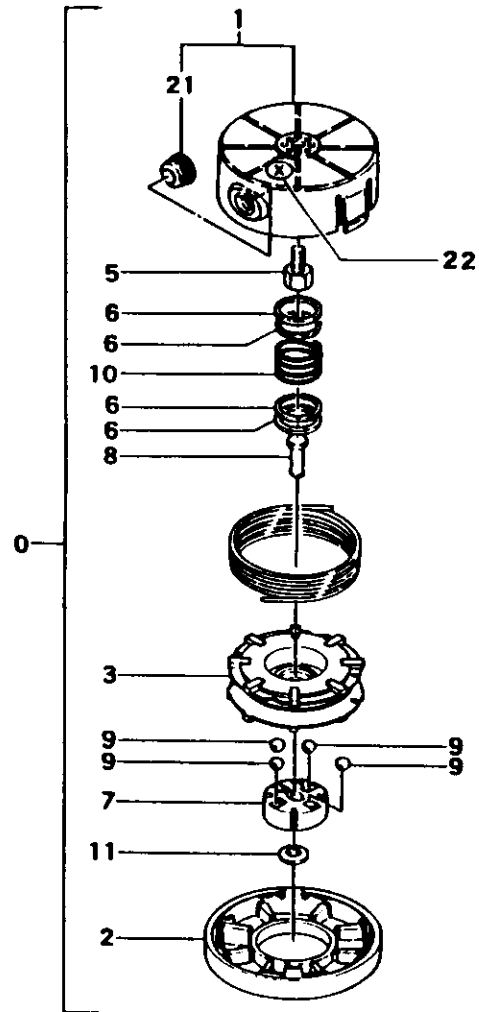
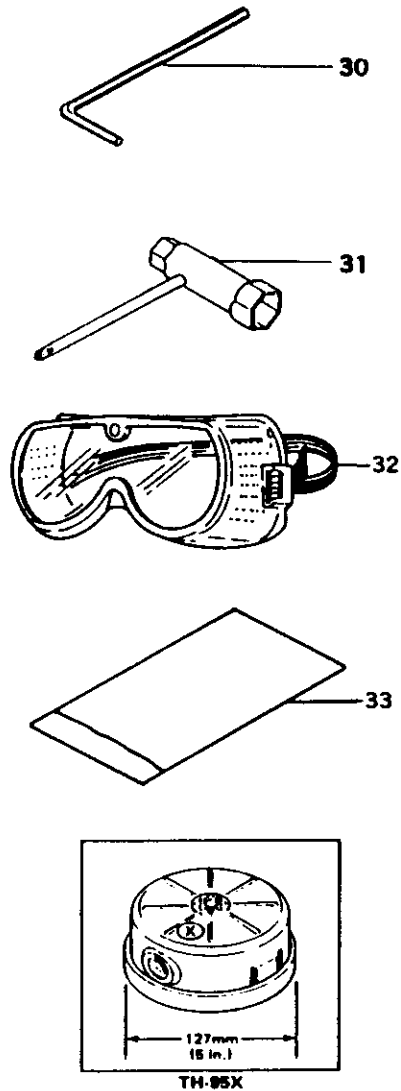
# FIG.7 GEAR CASE



- 19
- 33
- 24
- 21
- 22

REF. NBR	PART NBR	PART NAME	QTY	SERIAL NBR	REMARKS
7-001	300-37350-900	GEAR CASE ASS'Y	1	-J139880	
7-001,1	300-37353-900	GEAR CASE ASS'Y	1	J139881-	
7-001,1	300-37353-900	GEAR CASE ASS'Y	1		
7-001,1	300-37353-901	GEAR CASE ASS'Y	1	J182051-	
7-002	990-51050-253	HEX. HOLE BOLT 5X25	1		
7-003	992-10050-062	S.WASHER 5	1		
7-004	993-53022-002	STOP RING R-22 IN	1		
7-005	993-50010-002	STOP RING C-10 EX	1		
7-006	999-61690-003	BALL BEARING 6900D	1	-J182050	
7-006	999-61690-001	BALL BEARING 6900ZZ	1	J182051-	
7-007	999-61690-000	BALL BEARING 6900	1		
7-008	302-37300-200	PINION	1		
7-009	300-37350-200	GEAR CASE	1	-H243520	
7-009	300-37350-201	GEAR CASE	1	H243521-	
7-009,1	300-37353-200	GEAR CASE	1	J139881-	
7-010	991-01050-041	NUT 5	1	J139881-	
7-011	990-51050-103	HEX. HOLE BOLT 5X10	1		
7-012	990-14080-104	SCREW 8X10	1		
7-013	999-61626-000	BALL BEARING 626	1		
7-014	301-37300-200	GEAR	1		
7-015	304-37300-200	GEAR SHAFT	1	-H243520	
7-015	304-37300-201	GEAR SHAFT	1	H243521-	
7-015,1	304-37307-200	GEAR SHAFT	1	J139881-	
7-016	999-61600-104	BALL BEARING 6001DD	1		
7-017	993-51028-002	STOP RING C-28 IN	1		
7-018	310-37300-200	CUTTER HOLDER	1	-G228070	
7-018	310-37300-210	CUTTER HOLDER	1	G228071-	
7-018,1	310-37623-200	CUTTER HOLDER	1	J139881-	
7-018,1	310-37623-200	CUTTER HOLDER	1		
7-018,1	310-37623-201	CUTTER HOLDER	1	J245411-	
7-018,1	310-37623-202	CUTTER HOLDER	1	K254881-*	
7-019	311-37300-201	CUTTER HOLDER CAP	1	-G228070	
7-019	311-37300-202	CUTTER HOLDER CAP	1	G228071-	
7-021	992-29080-000	TOOTHED LOCK WASHER 8 L/H	1	J139881-	
7-022	312-37300-200	FIXING BOLT (L.H. THREAD)	1	-J139880	
7-022,1	312-37623-200	FIXING BOLT (L.H. THREAD)	1	J139881-	
7-023	324-37350-200	GEAR CASE WASHER	1		
7-024	992-01080-011	WASHER 8	1	D J139881-	
7-026	990-53060-153	HEX. HOLE SCREW 6X15	2		
7-027	992-10060-062	S.WASHER 6	2		
7-028	442-33671-201	SAFETY GUARD BRACKET	1	D J139881-	
7-029	441-37003-801	SAFETY GUARD COMP., METAL	1	I -H243520	
7-029	441-37003-802	SAFETY GUARD COMP., METAL	1	D J139881-	
7-030	307-37301-200	WINDING PROTECTOR	1	N G228071-	
7-030	307-37301-200	WINDING PROTECTOR	1	D J139881	
7-031	442-33671-201	SAFETY GUARD BRACKET	2	N J139881-	
7-032	441-33905-800	SAFETY GUARD COMP., PLASTIC	1	N J139881-	
7-033	316-33410-200	BOLT PROTECTION COVER	1		

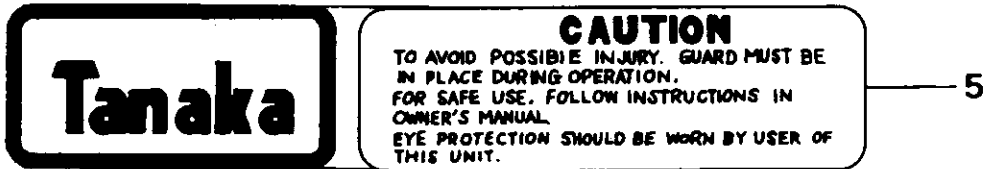
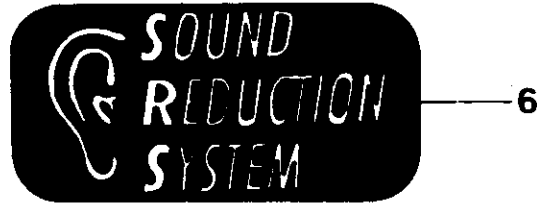
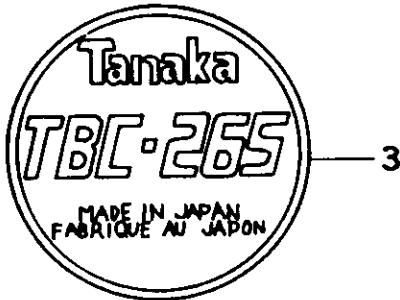
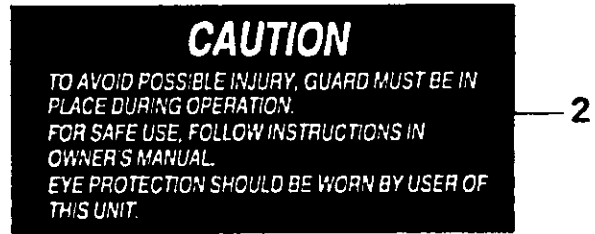
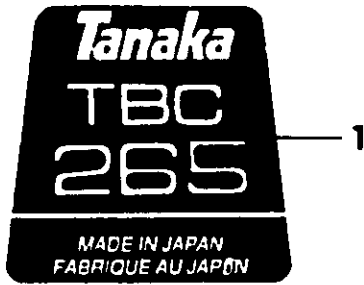
# FIG.8 TOOLS & NYLON HEAD



REF. NBR	PART NBR	PART NAME	QTY	SERIAL NBR	REMARKS
8-000	783-33440-901	NYLON HEAD ASS'Y (TH-95X)	1	I -H102680	
8-000	783-33440-902	NYLON HEAD ASS'Y (TH-95X)	1	H102681-	
8-001	786-33004-801	CUTTING BODY COMP.	1	I -H102680	
8-001	786-33004-900	CUTTING BODY ASS'Y	1	H102681-	
8-002	789-33004-201	BODY CAP	1		
8-003	787-33004-202	CORD REEL	1		
8-005	314-33670-200	8X1.25 L/H BOLT (GOLD)	1		
8-006	792-33004-200	REEL WASHER	4		
8-007	790-33004-200	REEL SLIDER	1		
8-008	791-33004-200	REEL SLIDER HOOK	1		
8-009	673-35600-200	STEEL BALL 5/16"	4		
8-010	793-33440-200	REEL SPRING (GOLD)	1		
8-011	358-02103-200	WASHER	1		
8-021	788-33071-200	CORD GUIDE	2	M H102681-	
8-022	926-33440-200	IDENTIFICATION MARK, X	1		
8-030	813-20000-200	HEX. WRENCH 4	1		
8-031	829-20000-800	COMBI. BOX SPANNER 13X19 ,PLUS	1		
8-032	540-33671-900	GOGGLE ASS'Y	1	D J065052-	
8-033	948-39907-200	TOOL BAG	1		



**FIG.9 MARKS**



REF. NBR	PART NBR	PART NAME	QTY	SERIAL NBR	REMARKS
9-001	906-37351-200	NAME PLATE, TBC-265	1	N H243521-	
9-002	919-37701-200	CAUTION MARK	1	N H243521-	
9-003	906-0165A-200	NAME PLATE	1	-H243520	
9-003,1	950-37900-200	PROFORCE MARK A	1	N H243521-	
9-004	923-37400-200	LEVEL MARK	1		
9-005	929-33576-201	SYMBOL MARK	1	-H243520	
9-005,1	951-37301-200	PROFORCE MARK B	1	N H243521-	
9-006	911-06500-200	SOUND LABEL	1	N K254881-	