

Tanaka Illustrated Parts Manual

Model Number:

TBC-270PF/PN

LOW EMISSION GRASS TRIMMER/BRUSHCUTTER

P/N 30487

Rev 000

Date 8-31-06



Supplier To The Outdoor Power Equipment Industry

Tanaka America • 1028 4th Street SW, Ste "B" • Auburn, WA 98001 • Phone: (253) 333-1200 • Fax: (253) 333-1212

Tanaka **PRODUCT INFORMATION**

TBC-270PF

Low Emission Trimmer / Brush Cutter

**C.A.R.B. Tier II
CERTIFIED**

30% More Fuel Efficient



Features / Benefits:

- **26cc, 1.4 hp PureFire® low emission two-stroke engine** features Tanaka's proven high quality components and reduces emissions by up to 70 percent.
- **Increased fuel efficiency** can save up to \$150/yr in gas and oil costs, and increases productivity.
- **Low profile cutting guard** provides a less restricted cutting view while conforming to ANSI standards.
- **Bearing supported, solid steel drive shaft** provides smooth and efficient power transfer from the engine to the cutting head.
- **1 / 2 / 5 Warranty coverage** provides **One-Year** coverage for professionals, **Two-Year** Coverage for Homeowners, and **Five Years** on the Electronic Ignition Module.

TBC-270PF Specifications

Engine Displacement cc (cu. in.)	PureFire® 26 (1.6)
Power (h.p.)	1.4
Cylinder	Chrome Plated, Stress Relieved
Carburetion	Walbro Diaphragm w/ Primer
Ignition System	Transistorized Electronic
Fuel Tank Capacity / fl. oz. (cc)	22.1 (650)
Anti-Vibration	Engine Mount & Handle
Clutch System	Heavy Duty Centrifugal
Shaft Support	5 Shaft Bearings
Drive System	7mm Solid Steel Shaft
Standard Cutting Head (746451)	5" Semi-Automatic Feed (.095" Line)
Dry Weight / lbs. (kg) w/head	12.8 (5.8)

Optional Accessories:

ORDER #	DESCRIPTION
Varies	Perfect Mix® 2-Cycle Engine Oil
746751	BRAIN® automatic feed head
746280	Aluminum fixed line head
746290	Aluminum manual feed head
746551	4" manual feed head
Varies	Assorted brush & weed blades
748501*	Blade conversion kit
746191	Single shoulder strap
746291	Deluxe double shoulder harness
TMC-200	Cultivator attachment
TPH-200	Pole Hedge Trimmer attachment
TPS-200	Pole Saw attachment
Varies	Copolymer nylon cutting line

* Blade conversion kit required for use with metal cutting blades

All data and specifications are subject to change without notice
For more information, contact:

Grass Trimmer Attachments

TPS-200

Pruning Saw Attachment

The versatile TPS-200 Pruning Saw attachment easily converts Tanaka straight shaft grass trimmers / brushcutters into a powerful pruning saw.

TPS-200 Features:

- 24" Shaft Provides a 98" Overall Length when mounted
- 10" Oregon® Bar & Chain
- Easy-Mount Coupler

To be used with the following Tanaka models:

- AST-7000 / 7000S / 210
- TBC-4500 / 4501 / 2211
- TBC-220 / 240
- TBC-250 / 2501 / 2510 / 265
- TBC-270PF/PN



TPS-EXT Pruning Saw **Extension** (Part # 748511) Add an **extra two feet of reach** with this pruning saw extension that will fit on both the TPS-2510 and TPS-270PN Pruning Saws. In addition, it can be added to Tanaka straight shaft grass trimmers that utilize the TPS-200 Pole Saw Attachment.

TPH-200

Pole Hedge Trimmer Attachment

For added reach and maneuverability, the TPH-200 Pole Hedge Trimmer attachment can be added to several Tanaka straight shaft grass trimmers / brushcutters.

TPH-200 Features:

- 22" Double Sided Cutting Blades
- Articulating / Pivoting Cutting Angle up to 130 degrees.



To be used with the following Tanaka models:

- AST-7000 / 7000S / 210
- TBC-4500 / 4501 / 2211
- TBC-220 / 240
- TBC-250 / 2501 / 2510 / 265
- TBC-270PF/PN

TMC-200

Mini-Cultivator

This simple, easy to install attachment is ideal for quick garden / flower bed weeding and cultivation. For maximum depth, the TMC-200 can dig up to 4 inches into the ground and 6" wide.

With a 49:1 reduction ratio, this heavy duty gear box gives you more tilling power.

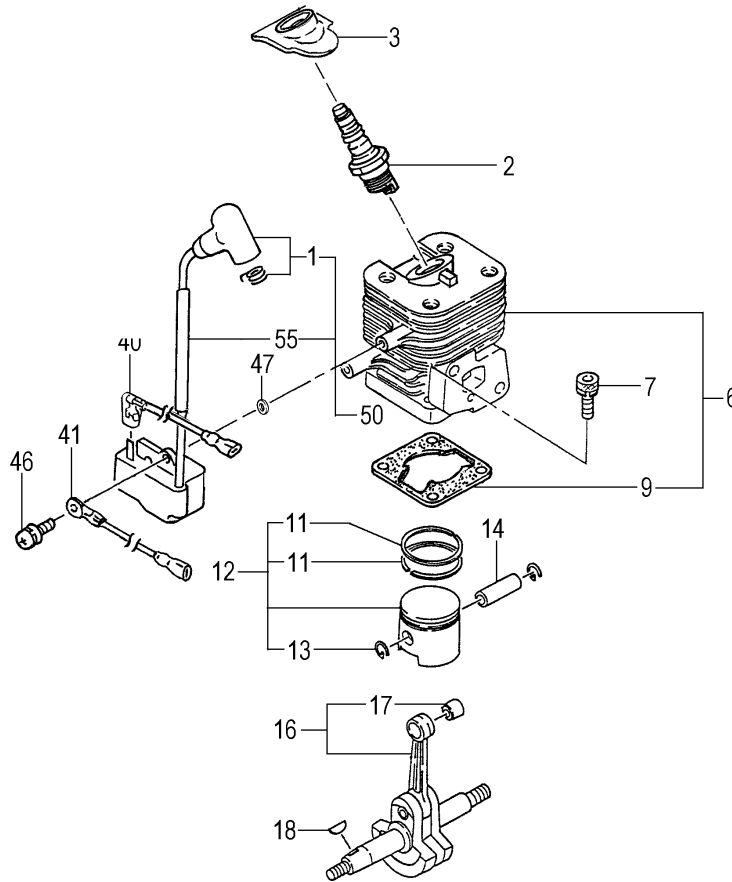


To be used with the following Tanaka models:

- AST-7000 / 7000S / 210
- TBC-4500 / 4501 / 2211
- TBC-220 / 240
- TBC-250 / 2501 / 2510 / 265
- TBC-270PF/PN
- TBC-300 / 3010
- TBC-420PF

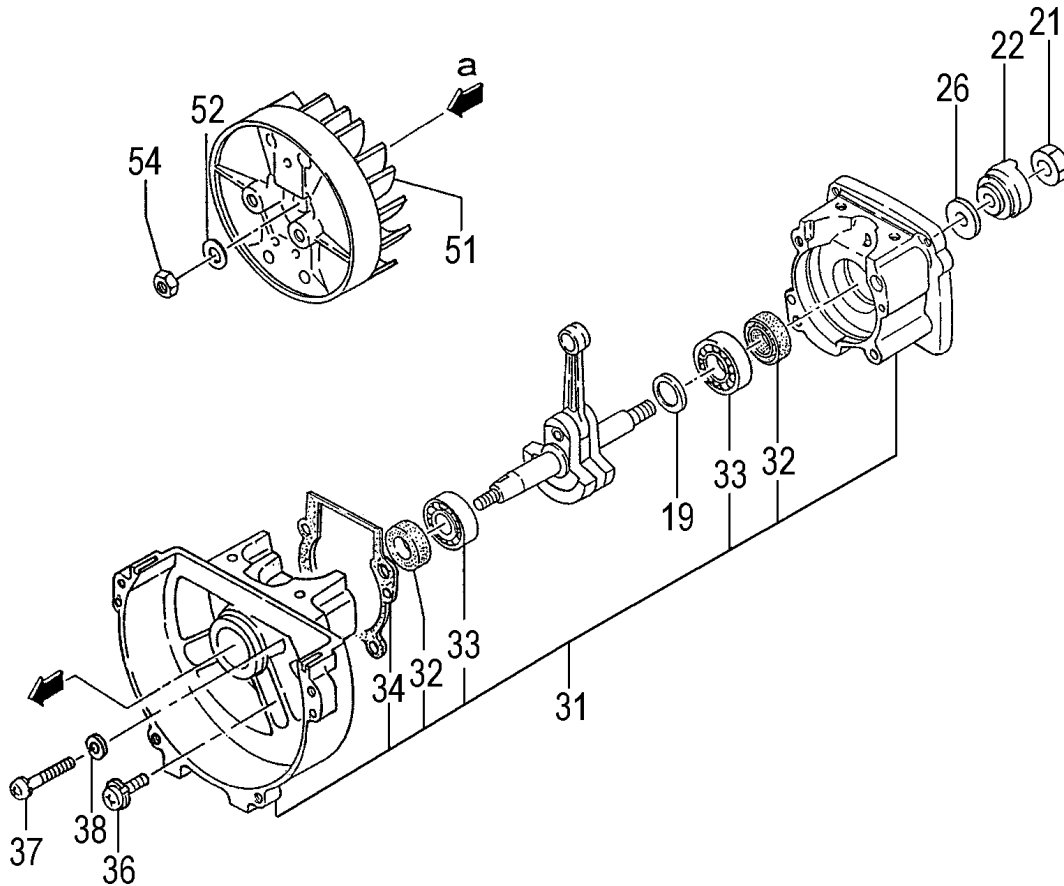
All data and specifications are subject to change without notice
For more information, contact:

ENGINE / CYLINDER, PISTON, CRANKSHAFT • FIGURE 1



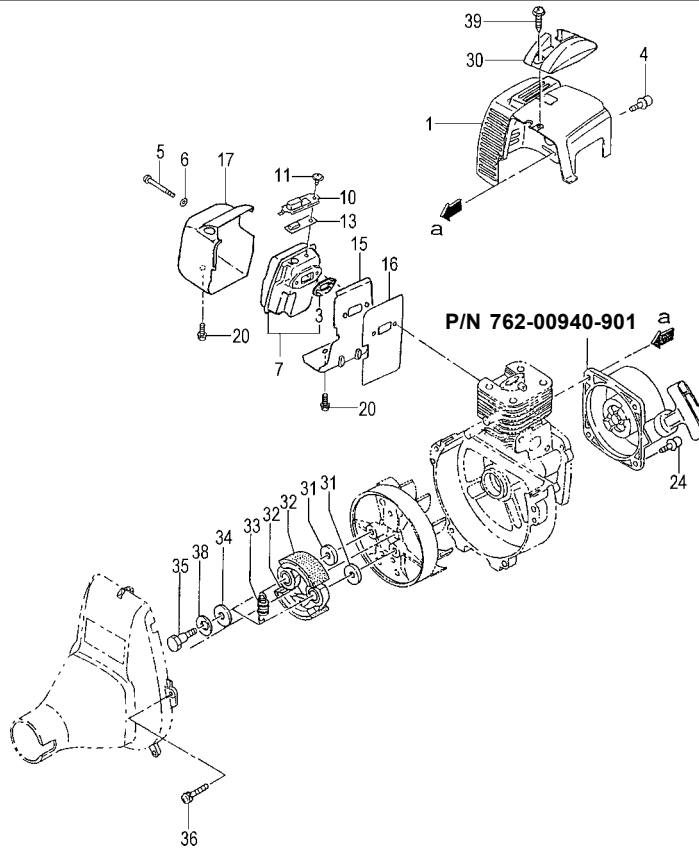
ITEM	PART NUMBER	DESCRIPTION	QTY	COMMENTS
1-1	1570168090	CAP, SPARK PLUG ASS'Y	1	
1-2	0181161021	PLUG, SPARK	1	
1-3	2550168020	COVER, SPARK PLUG, RUBBER	1	
1-6	0010168090	SET, CYLINDER	1	Includes gasket
1-7	99461050184	BOLT, HEX, 5X18, S	4	
1-9	0170168020	GASKET, CYLINDER	1	
1-11	04101601200	RING, PISTON	2	
1-12	0300168090	SET, PISTON	1	Includes rings and circlips
1-13	03900000201	CIRCLIP, PISTON PIN	2	
1-14	03701700200	PIN, PISTON	1	
1-16	0460168080	CRANKSHAFT	1	
1-17	99962091325	BEARING, NEEDLE, F-910	1	
1-18	06810100200	KEY, WOODRUFF, 3X13X4.5	1	
1-40	1780168080	CORD, STOP	1	
1-41	2740168080	CORD, EARTH	1	
1-46	99416040186	SCREW, WS, 4X18	2	
1-47	1820186A201	WASHER, SPECIAL	2	
1-50	1672174390	COIL, IGNITION ASS'Y	1	
1-55	2500168020	TUBE, INSULATOR	1	

FLYWHEEL, STARTER PULLEY, CRANKCASE, CRANKSHAFT • FIGURE 2

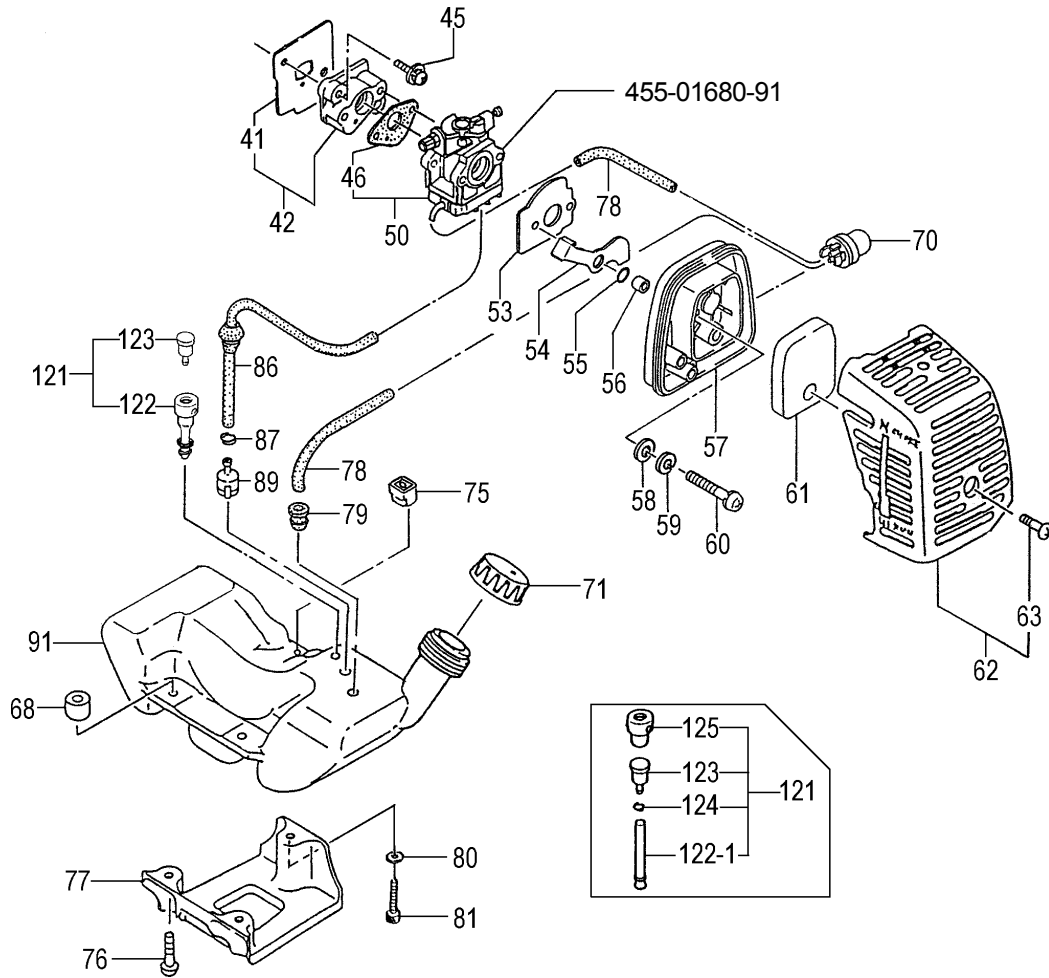


ITEM	PART NUMBER	DESCRIPTION	QTY	COMMENTS
2-19	33000200210	SHIM, 12.2X19X 10	V	*Shims are "as needed" to obtain correct side clearance
2-19	33000200220	SHIM, 12.2X19X 15	V	
2-19	33000200230	SHIM, 12.2X19X 20	V	
2-19	33000200240	SHIM, 12.2X19X 30	V	
2-21	99101080011	NUT, 8	1	
2-22	79801630200	PULLEY, STARTER	1	*Crankcase assy includes bearings, seals and gasket.
2-26	35910112203	WASHER, CLUTCH B	1	
2-31	0720168090	CRANKCASE, ASSY	1	
2-32	99966122240	SEAL, OIL, #12227	2	
2-33	99961600100	BEARING, BALL, #6001	2	
2-34	0900168020	GASKET, CRANKCASE	1	
2-36	99414050251	SCREW, 5X25	2	
2-37	99011050381	SCREW, 5X38	2	
2-38	99210050012	WASHER, S, 5	2	
2-51	1552174380	ROTOR, MAGNETO	1	
2-52	99200080011	WASHER, 8	1	
2-54	99101080011	NUT, 8	1	

CLUTCH, RECOIL STARTER, MUFFLER • FIGURE 3

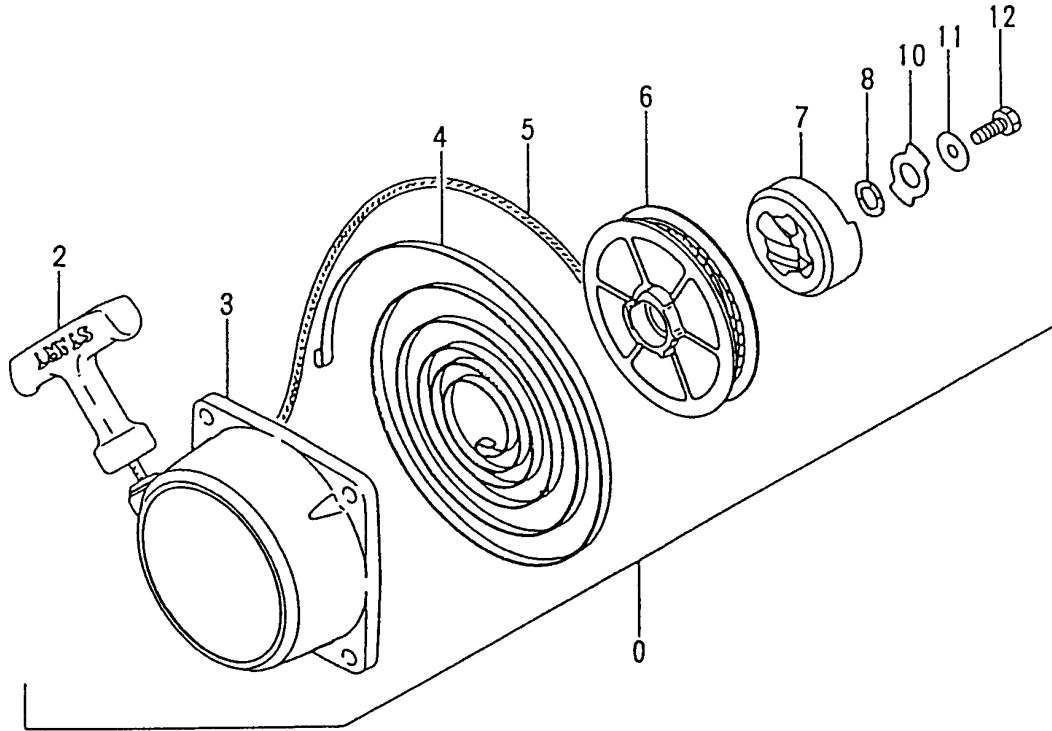


ITEM	PART NUMBER	DESCRIPTION	QTY	COMMENTS
3-1	7380168120	PROTECTOR,MUFFLER	1	
3-3	7370165A201	GASKET,MUFFLER	1	
3-4	99415040182	SCREW,PS,4X18	2	
3-5	99053060653	SCREW,HEX,6X65	2	
3-6	99201060011	WASHER,6	2	
3-7	7040168790	SET,MUFFLER	1	TBC-270PN
3-7	7040168090	SET,MUFFLER	1	TBC-270PF
3-10	7210440020	PIPE, TAIL	1	
3-11	99434040081	SCREW,4X8/S	1	
3-13	7320440020	ARRESTER,SPARK	1	
3-15	7360168022	SHIELD,HEAT	1	
3-16	1330168720	SHIELD,HEAT	1	
3-17	7350168080	COVER,MUFFLER A	1	
3-20	99413050081	SCREW,5X8 P	1	Prior to S/N U097790
3-20	99413050081	SCREW,5X8 P	2	After S/N U097791
3-24	99415040142	SCREW,4X14/PS	2	
3-30	2570168120	COVER,SPARK PLUG	1	
3-31	35902103200	WASHER,CLUTCH,B	2	
3-32	29001620800	SHOE,CLUTCH	2	
3-33	3420630B200	SPRING,CLUTCH	1	
3-34	3480602R200	WASHER,CLUTCH A	2	
3-35	3570075T200	BOLT,STEP	2	
3-36	99416050162	SCREW,5X16/WS	4	
3-38	99205080030	WASHER,8	2	
3-39	99072045164	SCREW,TAPPING,4.5X16	1	

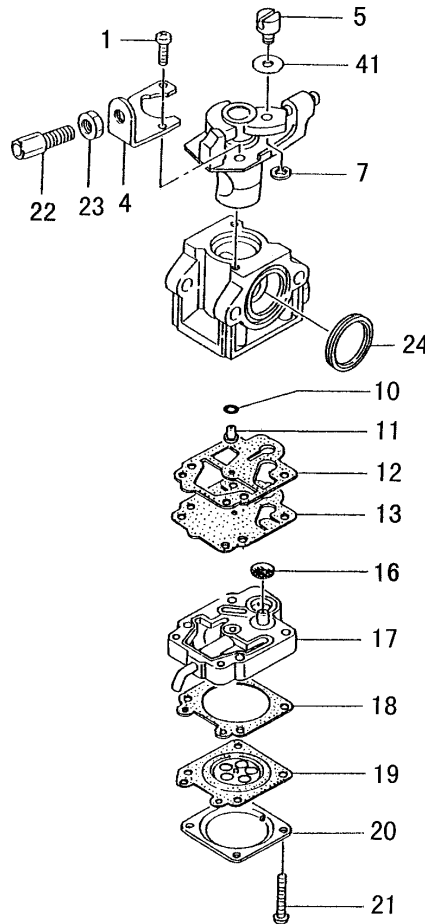


FUEL TANK, FUEL SYSTEM, AIR CLEANER • FIGURE 4

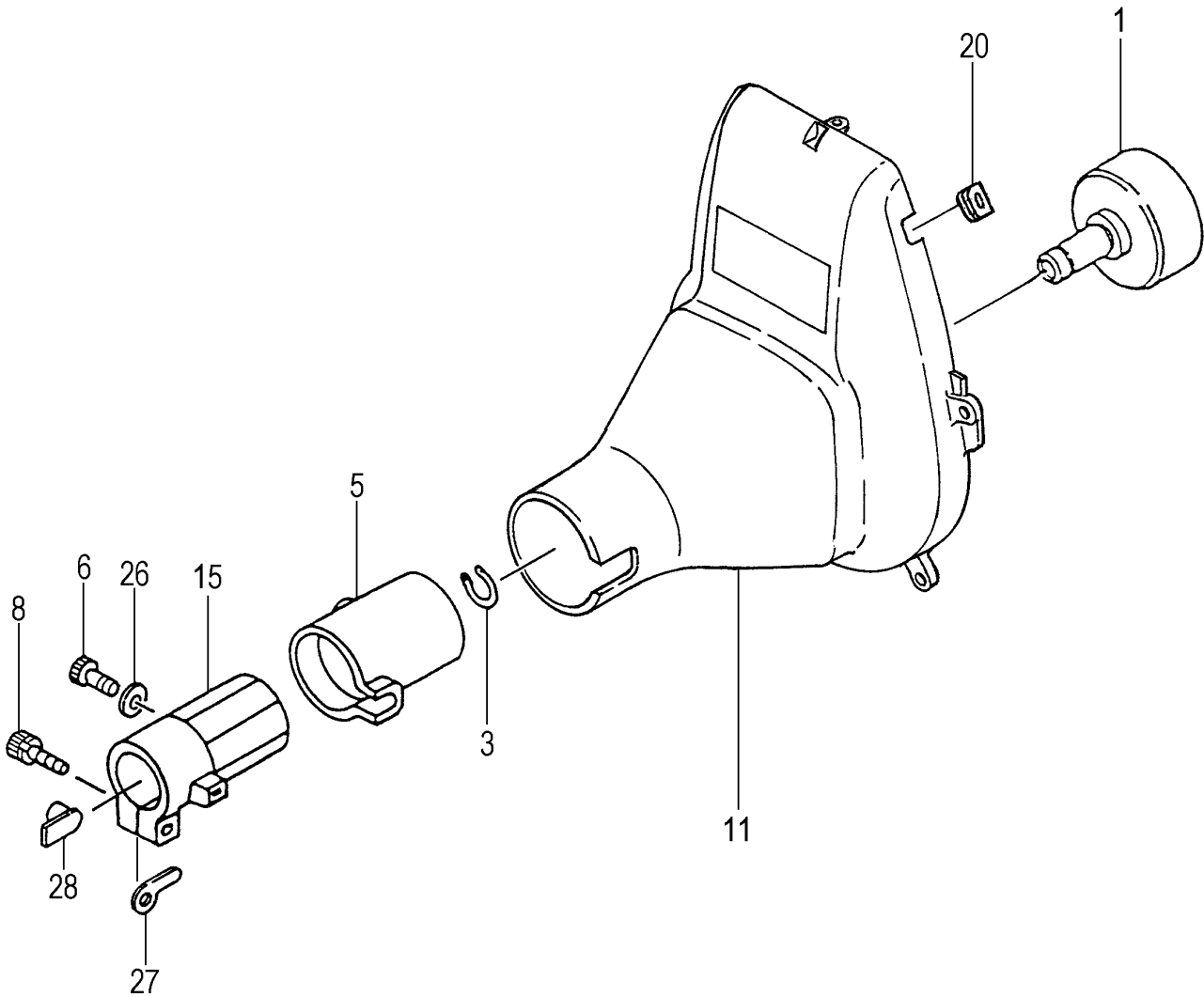
ITEM	PART NUMBER	DESCRIPTION	QTY	COMMENTS
4-41	4030097A21	GASKET, INLET MANIFOLD	1	
4-42	4040097A90	SET, CARB INSULATOR	1	
4-45	99416050241	SCREW 5x24WS	2	
4-46	4020602K21	GASKET, CARBURETOR	1	
4-50	4550168091	SET, CARBURETOR	1	
4-53	4360162V20	BASE, CLEANER	1	
4-54	5280138021	VALVE, CHOKE	1	
4-55	99967008012	O-RING, S-8	1	
4-56	4700602N200	COLLAR, CLEANER	1	
4-57	4230637C800	BODY, CLEANER	1	
4-58	99200050011	WASHER, SMALL, 5	2	
4-59	99210050012	WASHER, S, 5	2	
4-60	99011050602	SCREW, 5X60	2	
4-61	4460637C200	ELEMENT, CLEANER	1	
4-62	4520168090	SET, CLEANER COVER	1	
4-63	3800637C200	BOLT, CLEANER COVER	1	
4-68	6590430020	COLLAR C	3	
4-70	44225143800	PUMP, PRIMING ASS'Y	1	
4-71	5950168090	CAP, TANK ASS'Y	1	
4-75	6490168020	COLLAR, TANK FIXING	1	
4-76	99463050204	BOLT, HEX 5X20	2	
4-77	9400430020	STAND, ENGINE	1	
4-78	70002504080	PIPE, FUEL, 2.5X4X80	2	
4-79	53432710200	GROMMET, FUEL PIPE	1	
4-80	99201050061	WASHER, 5	1	
4-81	99461050304	BOLT, HEX, 5X30S	1	
4-86	2230162V900	PIPE, FUEL, ASS'Y	1	
4-87	68000731201	CLIP 6.3	1	
4-89	6750404280	FILTER, FUEL	1	
4-91	5910168520	TANK	1	
4-121	5640007091	VENT, AIR	1	
4-122	5650441020	PIPE, AIR VENT	1	After S/N V103818
4-122-1	5650503220	PIPE, AIR VENT	1	Prior to S/N V103817
4-123	6463252L90	AIR VENT VALVE ASSY	1	
4-124	68000731201	CLIP 6.3	1	Prior to S/N V103817
4-125	5610007020	COVER, AIR VENT	1	Prior to S/N V103817



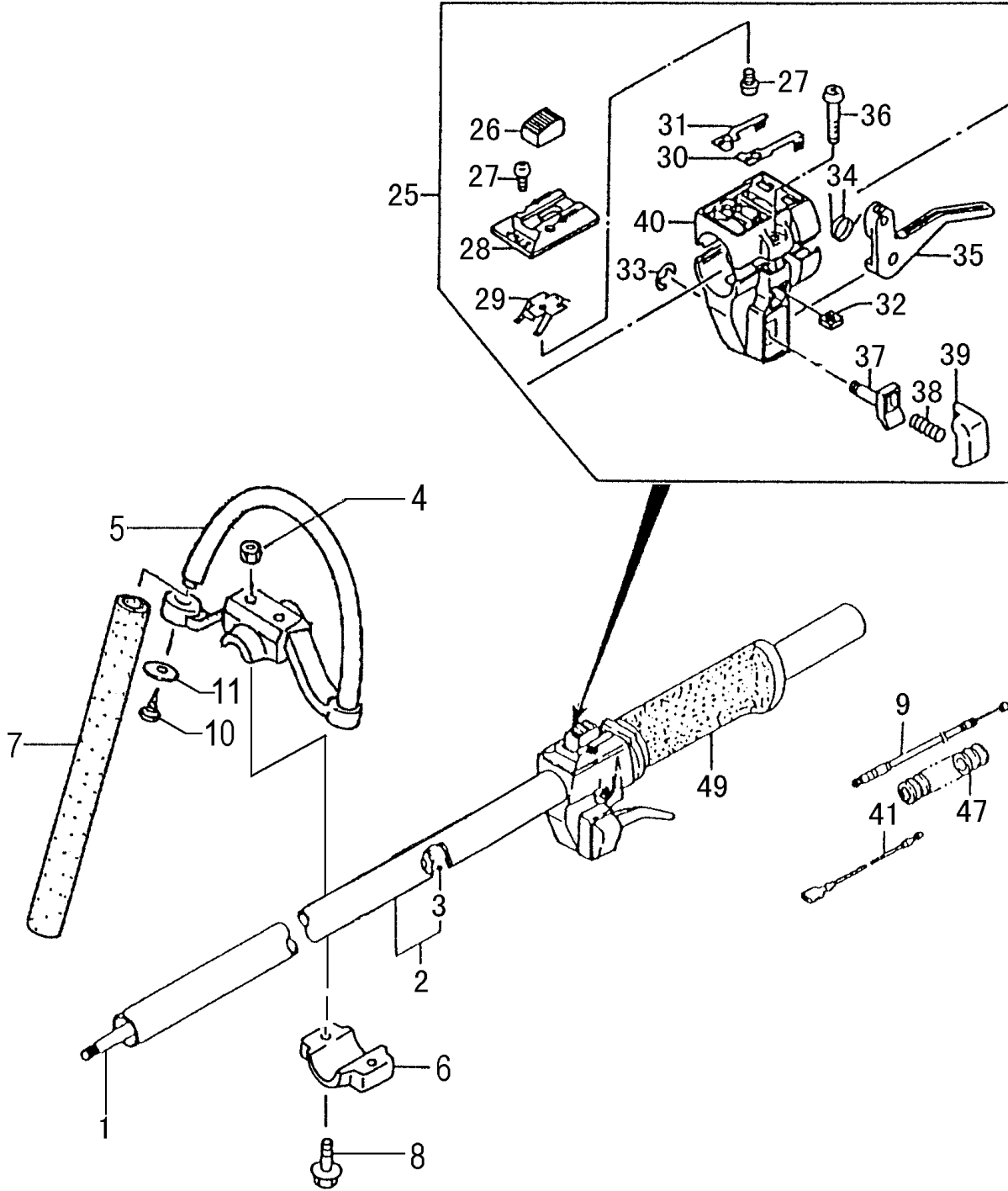
ITEM	PART NUMBER	DESCRIPTION	QTY	COMMENTS
5-0	7620094090	STARTER,RECOIL ASS'Y	1	
5-2	78500940200	HANDLE,STARTER	2	
5-3	77200940801	BODY,STARTER	1	
5-4	78000940200	SPRING,RECOIL	1	
5-5	78300940200	ROPE,STARTER	1	
5-6	77400940200	REEL,STARTER ROPE	1	Prior to S/N V218191
5-6	7740163021	REEL,STARTER ROPE	1	S/N V218191 and after
5-7	7880163021	PAWL,STARTER	1	
5-8	80105015200	WASHER,STARTER PULLEY	1	
5-10	8370501521	PLATE,FRICTION	1	
5-11	82205015200	SHIM,STARTER PULLEY	1	Prior to S/N V218191
5-11	8220423020	SHIM,STARTER PULLEY	1	S/N V218191 and after
5-12	8390423020	BOLT,SET	1	



ITEM	PART NUMBER	DESCRIPTION	QTY	COMMENTS
6-0	4550168091	SET,CARBURETOR	1	
6-1	51425100200	SCREW,THROTTLE SET	2	
6-4	54425164200	STAY,ADJUST,CABLE	1	
6-5	53925120200	SWIVEL	1	~ Contained in Carburetor Repair Kit
6-7	48925100200	RING,STOP	1	P/N 650-25124-900 (Not available individually)
6-10	55025100200	O-RING	1	
6-11	5992001W38	JET,MAIN LONG #38	1	
6-12	~ ~ ~	*GASKET,PUMP	1	
6-13	~ ~ ~	*DIAPHRAGM,PUMP	1	
6-16	~ ~ ~	*SCREEN,INLET	1	
6-17	5752514780	BODY,PUMP ASS'Y	1	
6-18	~ ~ ~	*GASKET,DIAPHRAGM	1	
6-19	~ ~ ~	*DIAPHRAGM,METERING	1	
6-20	47625004200	COVER,DIAPHRAGM	1	
6-21	54825101200	SCREW,SET	4	
6-22	61425137200	ADJUSTER,CABLE	1	
6-23	99101060013	NUT,6	1	
6-24	4310634C200	GASKET,CLEANER	1	
6-41	5492516520	WASHER,THRUST	1	



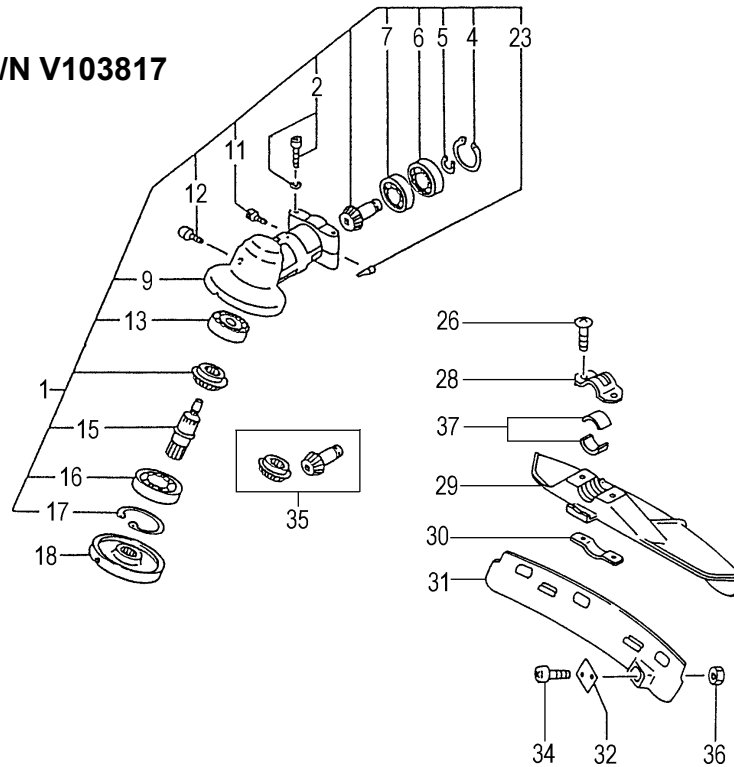
ITEM	PART NUMBER	DESCRIPTION	QTY	COMMENTS
7-1	2890098080	DRUM, CLUTCH	1	
7-3	99350012002	RING, STOP, C-12 EX	1	
7-5	5990098021	CUSHION, RUBBER	1	
7-6	99051050163	BOLT, HEX, 5X16	1	
7-8	99461050254	BOLT, HEX HOLE, 5X25S	1	
7-11	1120168080	CASE, FAN	1	
7-15	3600099020	HOLDER, PIPE	1	
7-20	20311660200	GROMMET, PRIMARY CORD	1	
7-26	99201050061	WASHER, 5	1	
7-27	3243735020	WASHER, GEAR CASE	1	
7-28	3610099020	FITTING, METAL	1	
7-30	3600129020	HOLDER, PIPE 26 DIA	1	



THROTTLE LEVER, HANDLE, DRIVE SHAFT TBC-270PF • FIGURE 8

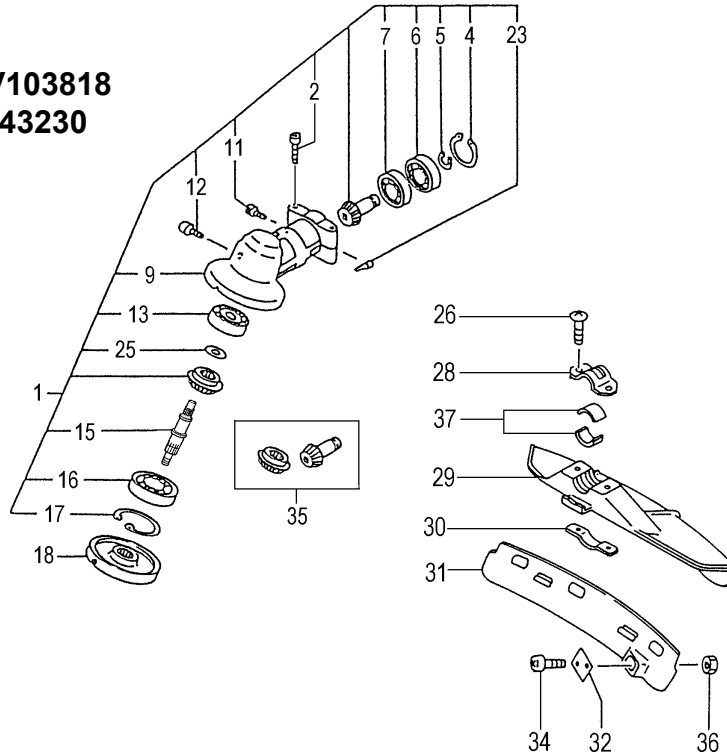
ITEM	PART NUMBER	DESCRIPTION	QTY	COMMENTS
8-1	34337300200	SHAFT,DRIVE	1	
8-2	3413760181	PIPE,DRIVE SHAFT	1	
8-3	34737601900	BUSHING,ASS'Y	5	
8-4	99101060041	NUT,6	2	
8-5	5003728620	HANDLE	1	
8-6	50637300200	BRACKET,HANDLE,A	1	
8-7	5033738E20	GRIP,HANDLE	1	
8-8	99023060351	BOLT,6X35 PLUS	2	
8-9	8853739480	WIRE,THROTTLE	1	
8-10	99311052012	SCREW,TAPPING 5X20	1	
8-11	36832350200	WASHER,BRAKE SHAFT	1	
8-25	8703728690	LEVER,THROTTLE ASS'Y	1	
8-26	1623710120	SWITCH,STOP	1	
8-27	99342030081	SCREW, TAPPING, 3X8	3	
8-28	25937101200	BASE,STOP SWITCH	1	
8-29	26237101200	SPRING,STOP SWITCH	1	
8-30	17737101200	TERMINAL,EARTH B	1	
8-31	17637101200	TERMINAL,EARTH A	1	
8-32	3153334020	NUT,SPECIAL 5MM	2	
8-33	99355060001	RING,STOP,6	1	
8-34	83237101200	SPRING,RETURN	1	
8-35	88037101200	LEVER,THROTTLE	1	
8-36	99431050201	SCREW,5X20	2	
8-37	85337101200	SHAFT,LOCK BUTTON	1	
8-38	95837101200	SPRING,LOCK,BUTTON	1	
8-39	95637101200	BUTTON,LOCK	1	
8-40	2603331720	BODY,STOP BUTTON,B	1	
8-41	1783739480	CORD,STOP 430mm	2	
8-47	1641001900	TUBE,PROTECTION	1	
8-49	50437300200	GRIP,SHAFT	1	

Units prior to S/N V103817

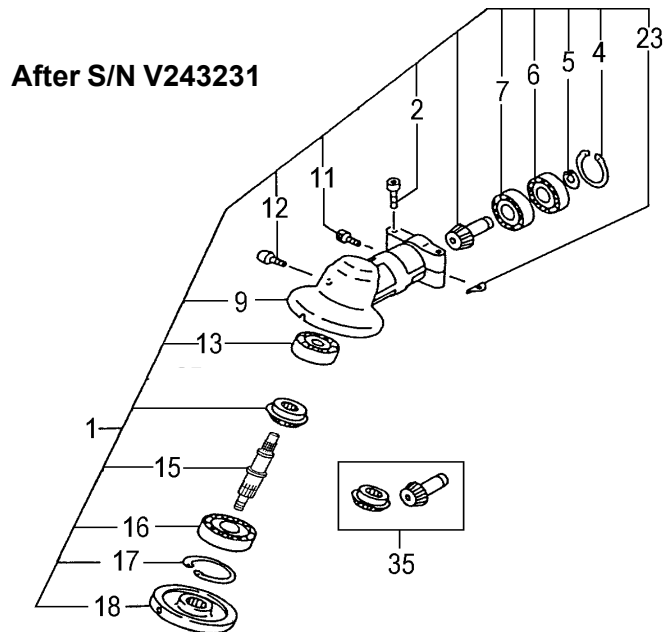


ITEM	PART NUMBER	DESCRIPTION	QTY	COMMENTS
9-1	3003741791	CASE, GEAR ASS'Y	1	Female Gear Case, Before S/N V103817
9-2	99461050254	BOLT, HEX HOLE, 5X25S	1	
9-4	99353022002	RING, STOP, R22 IN	1	
9-5	99350010002	RING, STOP, C-10 EX	1	
9-6	99961690001	BEARING, BALL, #6900ZZ	1	
9-7	99961690000	BEARING, BALL, #6900	1	
9-9	3003762320	CASE, GEAR	1	
9-11	99051050103	BOLT, HEX HOLE, 5X10	1	
9-12	99423080100	BOLT, 8X10	1	
9-13	99961626000	BEARING, BALL, #626	1	
9-15	3043730720	SHAFT, GEAR	1	
9-16	99961600104	BEARING, BALL, #6001DD	1	
9-17	99351028002	RING, STOP, IN, C-28	1	
9-18	3103810020	CUTTER HOLDER 12X10X1	1	
9-23	3243735020	WASHER, GEAR CASE	1	
9-26	99481060254	SCREW, HEX HOLE 6X25	2	
9-28	4423369921	BRACKET, SAFETY GUARD	1	
9-29	4413810020	GUARD, SAFETY	1	
9-30	4453738020	HOLDER, GUARD	1	
9-31	4473810020	EXTENSION, GUARD	1	
9-32	7973738021	LIMITER, LINE	1	
9-34	99414050121	SCREW, S, 5X12	1	
9-35	3013730001	SET, GEAR/PINION	1	
9-36	99101050011	NUT, 5	1	
9-37	44437609200	SPACER, BRACKET	2	

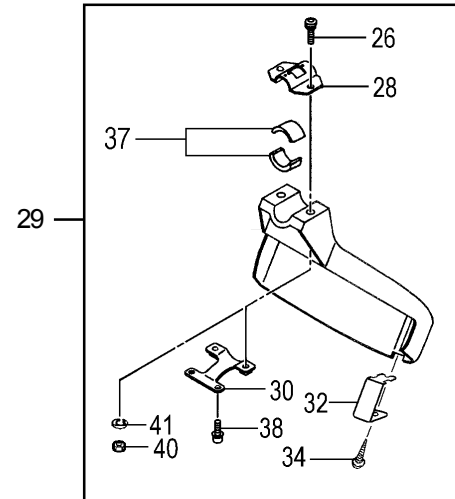
From S/N V103818
to S/N V243230



ITEM	PART NUMBER	DESCRIPTION	QTY	COMMENTS
10-1	3003728690	CASE, GEAR, ASS'Y	1	From S/N V103818 to S/N V243230
10-2	99461050254	BOLT, HEX HOLE, 5X25S	2	
10-4	99351024002	RING, STOP, C-28, IN	1	
10-5	99350009002	RING, STOP, C9	1	
10-6	99961609002	BEARING, BALL, #609Z	1	
10-7	99961609000	BEARING, BALL, #609	1	
10-9	3003385020	CASE, GEAR	1	
10-11	99051050103	BOLT, HEX HOLE, 5X10	1	
10-12	99423080100	BOLT, 8X10	1	
10-13	99961628000	BEARING, BALL, #628	1	
10-15	3043810020	SHAFT, GEAR	1	
10-16	99961620103	BEARING, BALL #6201D	1	
10-17	99351032002	RING, STOP, C-32 IN	1	
10-18	3103810020	HOLDER, CUTTER	1	
10-23	3243735020	WASHER, GEAR CASE	1	
10-25	0673713420	WASHER, SPECIAL	1	
10-26	99481060254	SCREW, HEX HOLE 6X25	2	
10-28	4423369921	BRACKET, SAFETY GUARD	1	
10-29	4413810020	COVER, SAFETY	1	
10-30	4453738020	HOLDER, GUARD	1	
10-31	4473810020	COVER, GUARD	1	
10-32	7973738021	LIMITER, LINE	1	
10-34	99414050121	SCREW, S, 5X12	1	
10-35	3013730001	SET, GEAR/PINION	1	
10-36	99101050011	NUT, 5	1	
10-37	44437609200	SPACER, BRACKET	2	



441-37587-00 Guard Kit

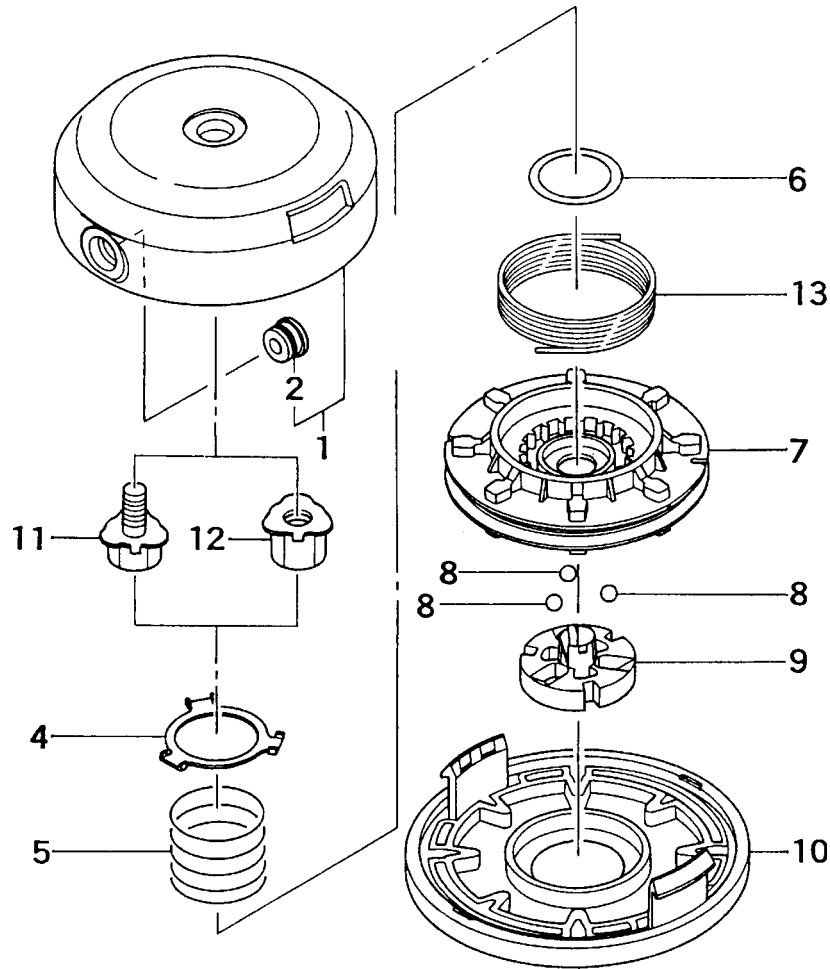


This guard kit is designed to fit all trimmers with 24 or 26 mm pipes. This guard is **NOT** approved for use with any metal blade.

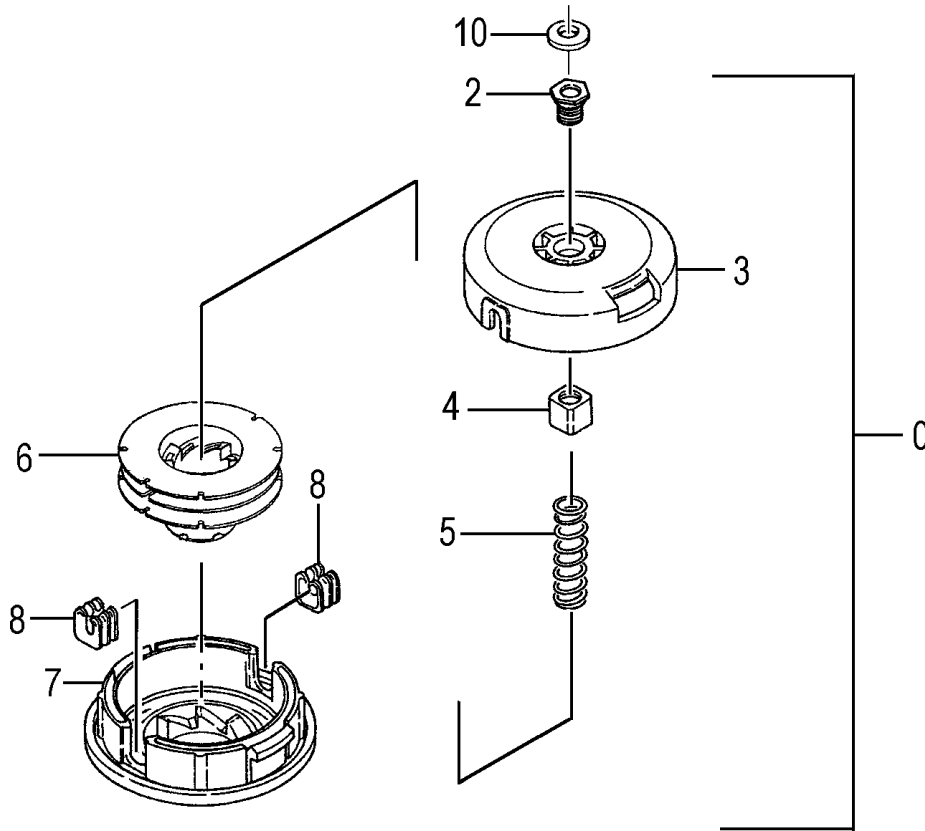
ITEM	PART NUMBER	DESCRIPTION	QTY	COMMENTS
11-1	3003815990	CASE, GEAR, ASS'Y	1	Units after S/N V243231
11-2	99461050254	BOLT, HEX HOLE, 5X25S	2	
11-4	99351024002	RING, STOP, C-28, IN	1	
11-5	99350010002	RING, STOP, C9	1	
11-6	99961609002	BEARING, BALL, #609Z	1	
11-7	99961609000	BEARING, BALL, #609	1	
11-9	3003815020	CASE, GEAR	1	
11-11	99461050124	BOLT, HEX HOLE	1	
11-12	3163815020	FITTING BOLT, M8	1	
11-13	99961609000	BEARING, BALL, #609	1	
11-15	3043810020	SHAFT, GEAR	1	
11-16	99961620103	BEARING, BALL #6201D	1	
11-17	99351032002	RING, STOP, C-32 IN	1	
11-18	3103815020	HOLDER, CUTTER	1	
11-23	3243735020	WASHER, GEAR CASE	1	
11-26	99481060254	SCREW, HEX HOLE 6X25	2	
11-28	4423741720	BRACKET, COVER	1	
11-29	4413758700	GUARD KIT	1	Guard kit includes mounting components as shown
11-30	4453815020	HOLDER, GUARD	1	
11-32	7973815020	LIMITER, LINE	1	
11-34	99317052002	SCREW	1	
11-35	3013815000	SET, GEAR PINION	1	
11-37	44437609200	SPACER, BRACKET	2	
11-38	99461050124	SCREW	2	Not included in guard kit shown above
11-40	99101060011	NUT, 6	2	Included but not required for male gear case units
11-41	99201060011	WASHER, 6	2	Included but not required for male gear case units



ITEM	PART NUMBER	DESCRIPTION	QTY	COMMENTS
12-1	9060168020	PLATE, NAME, PUREFIRE	1	
12-2	9064815520	NAME PLATE TBC-270PN	1	
12-3	9210168120	DECAL, CAUTION	1	
12-4	9193738F20	DECAL, CAUTION, A	1	
12-5	9233738F20	DECAL, LEVEL	1	
12-6	91933111201	DECAL, LEVEL	1	
12-7	9293810020	DECAL, SYMBOL, PF	1	
12-8	92337400200	DECAL, LEVEL	1	
12-15	9233728620	DECAL, LEVEL	1	
12-40	9064815020	NAME PLATE TBC-270PF	1	



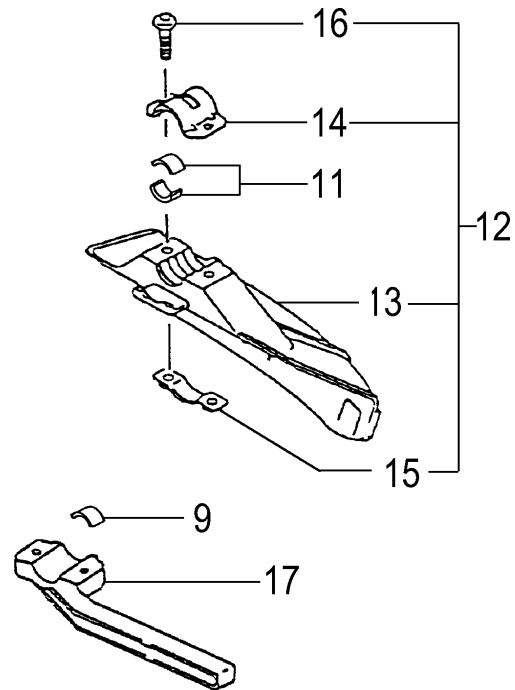
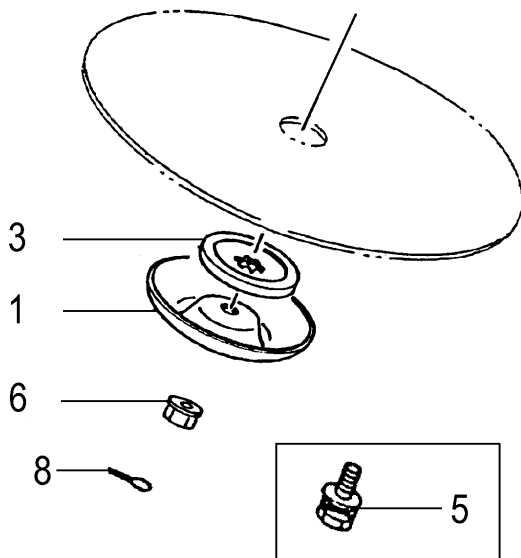
ITEM	PART NUMBER	DESCRIPTION	QTY	COMMENTS
	746751	HEAD,BRAIN (TH-97)	1	
1	7863381091	CUTTING BODY ASS'Y	1	
2	7883307120	EYELET	1	
3	7603381020	WASHER,MOUNTING	1	
4	7853381020	BASE,ADJUSTMENT	1	
5	7933381022	SPRING,REEL,YELLOW	1	
6	7923381020	WASHER,ADJUSTMENT	1	
7	7873381020	REEL	1	
8	6733560020	BALL,STEEL	3	
9	7903381020	SLIDER,REEL	1	
10	7893381020	CAP,BODY	1	
11	3143381280	MOUNTING BOLT	1	For female gear case
12	3153381080	MOUNTING NUT	1	For male gear case (2000 production)



ITEM	PART NUMBER	DESCRIPTION	QTY	COMMENTS
0	746451	HEAD, SEMI-AUTO 5"	1	After serial number V243831
2	3563383B20	ADAPTER, 10X1.25 LHF	1	
3	78633830200	BODY, CUTTING	1	
4	31533830200	NUT, SPECIAL	1	
5	79333830200	SPRING	1	
6	78733830200	REEL	1	
7	78933830200	CAP, BODY	1	
8	78833830200	EYELET	2	
10	99201120011	WASHER, 12	1	After serial number V243831



WARNING! Read the owners manual and follow all warnings and safety instructions. Failure to do so can result in serious injury to the operator and/or bystanders. Never attempt to mount a steel blade to a machine that is not specifically designed for that purpose. Never attempt to mount a steel blade without using all components of the blade attachment kit, including shoulder strap and barrier safety bar.



ITEM	PART NUMBER	DESCRIPTION	QTY	COMMENTS
1	30833410200	COVER,PROTECTION,B,8mm	1	8mm
1	3083786120	COVER,BOLT PROTECTOR,10mm	1	10mm
3	3113754720	CAP,CUTTER HOLDER,8mm	1	for use with 8x1.25 nut
3	3113815020	CAP,CUTTER HOLDER,10mm	1	for use with 10x1.25 nut
5	3123338620	BOLT,FLANGED,10x1.25,LH	1	10x1.25 bolt
6	3133754720	NUT,FIXING L.H. 8X1.25	1	8x1.25 nut
6	3133833220	NUT,FIXING L.H.,10X1.25	1	10x1.25 nut
8	3273718090	PIN,COTTER 2X20 (10 PACK)	1	
9	44437609200	SPACER,BRACKET	1	for use with barrier bar, 24mm shafts
11	44437609200	SPACER,BRACKET	2	
12	30060	KIT,BLADE GUARD	1	
13	4413738020	GUARD,SAFETY	1	
14	4423369921	BRACKET,SAFETY GUARD	1	
15	4453738020	HOLDER,GUIDE	1	
16	99481060254	SCREW,HEX HOLE 6X25	2	
17	5203339820	BAR,BARRIER 26mm	1	
18	746191	STRAP,SHOULDER,PSS-175	1	Includes mounting bracket/hardware