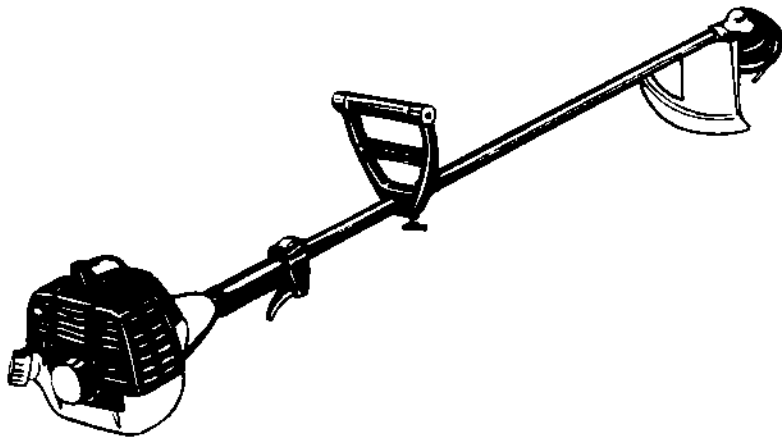


Tanaka

Parts Catalog



Brush Cutter

Model: TBC-300

Part # 10832 02-10-98

TBC-300

OPTIONS AND ACCESSORIES

NYLON LINE



- 746156 .095, Box, 50 ft.
- 746157 .105, Box, 50 ft.
- 746160 .095, 1/2 lb. Box, 143 ft.
- 746161 .105, 1/2 lb. Box, 110 ft.
- 746165 .095, 1 lb. Box, 285 ft.
- 746166 .105, 1 lb. Box, 235 ft.
- 746169 .095, 3 lb. spool, 855 ft.
- 746170 .105, 3 lb. spool, 705 ft.
- 746173 .095, 5 lb. spool, 1425 ft.
- 746174 .105, 5 lb. spool, 1175 ft.

SEMI-AUTO HEAD



746153 PNH-180

Parts List

- | | |
|---------|-----------|
| ET-1201 | Body |
| ET-1206 | Cap |
| ET-1225 | Adapter |
| ET-1205 | Spool |
| ET-1207 | Eyelet |
| ET-1208 | Spring |
| ET-1209 | Bump Disk |

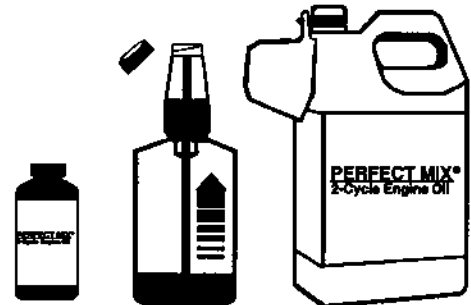
ALUMINUM MANUAL HEAD



PCH-100
(746180)

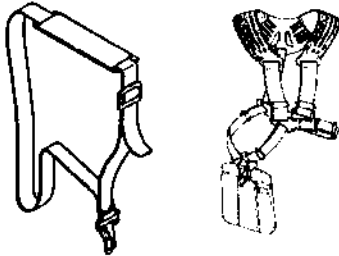
PCH-300
(746190)

PERFECT MIX® 2-Cycle Engine Oil



- 700109 2.8 oz. Bottle, 1 Gallon Size (24")
- 700108 16 oz. Self-measuring Bottle (24")
- 700110 1 Gallon Jug Commercial Size (6")
- * Case Quantity

SHOULDER STRAPS



PSS-175

SS-400

TMC-200 CULTIVATOR



BLADES

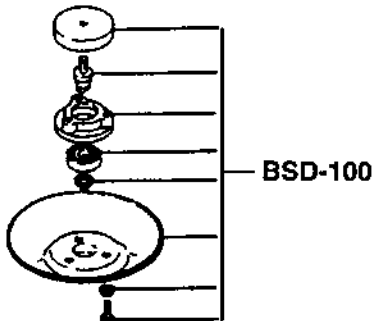


- 746101 Weed Blade, 9"X4T
- 746103 Weed Blade, 9"X48T
- 746104 Saw Blade, 9"X80T
- 746192 Carbide Blade, 9"X36T

MANUALS / CATALOGS

- | | |
|---------------|----------------|
| 046014E | Owner's Manual |
| DPL-BC300-HST | Parts Catalog |
| WSM-TBC | Service Manual |

BLADE SAFETY DISK



BSD-100

SPECIAL TOOLS

- | | | | |
|---------------|--------------------|---------------|---------------------|
| 006-29326-000 | Flywheel Remove | 032-29373-500 | Pinion Fitting Tool |
| 009-29323-500 | Piston Pin Remover | 001-29000-000 | Tachometer |
| 015-29339-000 | Gear Shaft Remover | 070-2000W-500 | Pressure Tester |
| 016-29373-000 | Pinion Remover | 070-2000W-501 | Carb. Tool Kit |



FIG. 1 ENGINE

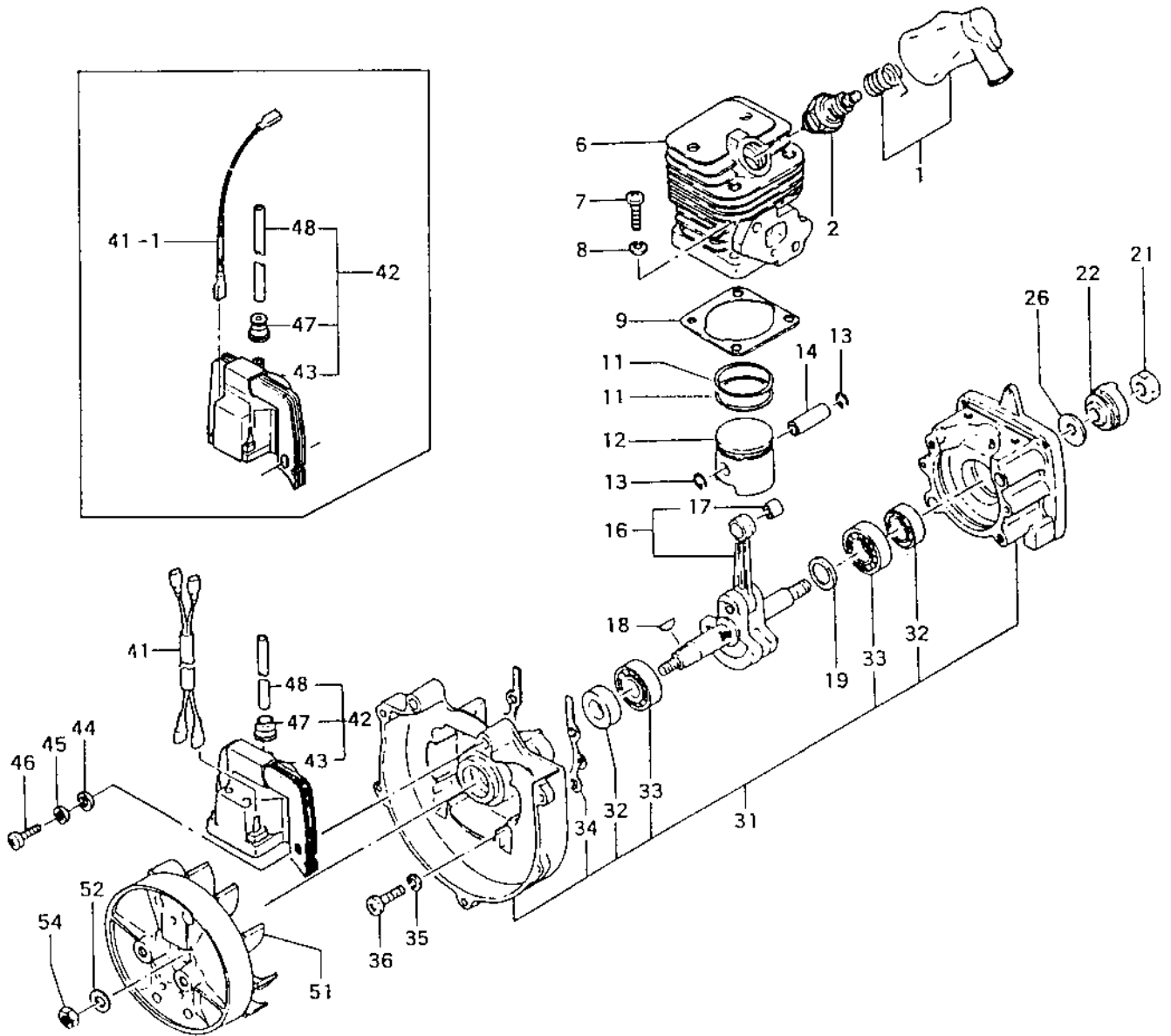


FIGURE 1

TBC-300 PARTS LISTING

REF.	PART NO.	PART DESCRIPTION	Q	C	S	SERIAL NO.	REMARKS
1	157-0097A-900	CAP,SPARK PLUG,ASS'Y	1		B		
2	018-02233-200	PLUG,SPARK	1		D		
6	002-01280-20	CYLINDER	1		C		
7	990-11050-161	SCREW,5X16	4		B		
8	992-10050-012	WASHER,S,5	4		A		
9	017-01280-20	GASKET,CYLINDER	1		B		
11	041-01700-200	RING,PISTON	2		B		
12	031-01280-20	PISTON	1		C		
13	039-00000-201	CIRCLIP,PISTON PIN	2		A		
14	037-01700-200	PIN,PISTON	1		B		
16	046-01280-80	CRANKSHAFT	1		D	~N199200	
16	046-01280-81	CRANKSHAFT	1		D	N199201~	
17	999-62091-338	BEARING,NEEDLE,KTV91313	1		C		
18	068-10100-200	KEY,WOODRUFF,3X13X4.5	1		C		
19	330-00200-210	SHIM,12.2X19X.10	V		D		
19	330-00200-220	SHIM,12.2X19X.15	V		D		Shims are "as needed" to obtain correct c/s side clearance.
19	330-00200-230	SHIM,12.2X19X.20	V		D		
19	330-00200-240	SHIM,12.2X19X.30	V		D		
21	991-01080-011	NUT,8	1		B		
22	798-01630-200	PULLEY,STARTER	1		D		
26	359-10112-203	WASHER,CLUTCH B	1		A		
31	072-01280-90	CRANKCASE,ASS'Y	1		D		Includes bearings, seals & gasket
32	999-66122-240	SEAL,OIL,12227	2		A		
33	999-61600-100	BEARING,BALL,#6001	2		B		
34	090-00601-206	GASKET,CRANKCASE	1		B		
35	992-10050-012	WASHER,S,5	4		A		
36	990-11050-251	SCREW,5X25	4		D		
41-1	178-01280-80	CORD,STOP,380mm	2		D	~N199200	
41	178-06550-80	CORD,STOP,180mm	1		D	N199201~	
42	167-20521-90	COIL,IGNITION	1		D		
43	167-20521-80	COIL,IGNITION	1		D		w/o high tension lead & cap.
44	992-00050-011	WASHER,SMALL,5	2		C		
45	992-10050-012	WASHER,S,5	2		A		
46	990-11050-201	SCREW,MX20	2		D		
47	560-20517-200	CAP,RUBBER	1		C		
48	264-20516-200	LEAD,HIGH TENSION	1		C		
51	155-20509-800	ROTOR,MAGNETO	1		D		
52	992-00080-011	WASHER,8	1		D		
54	991-01080-011	NUT,8	1		B		

* Indicates the part is included in a kit or assembly and is not available individually. Q=Quan. used C=Interchangeability S=Stocking code: A=Fast moving B=Med. fast C=Med. move D=Slow move E=N.L.A. F=Superseded or replaced by a new part

FIG.2 ENGINE COMPONENTS

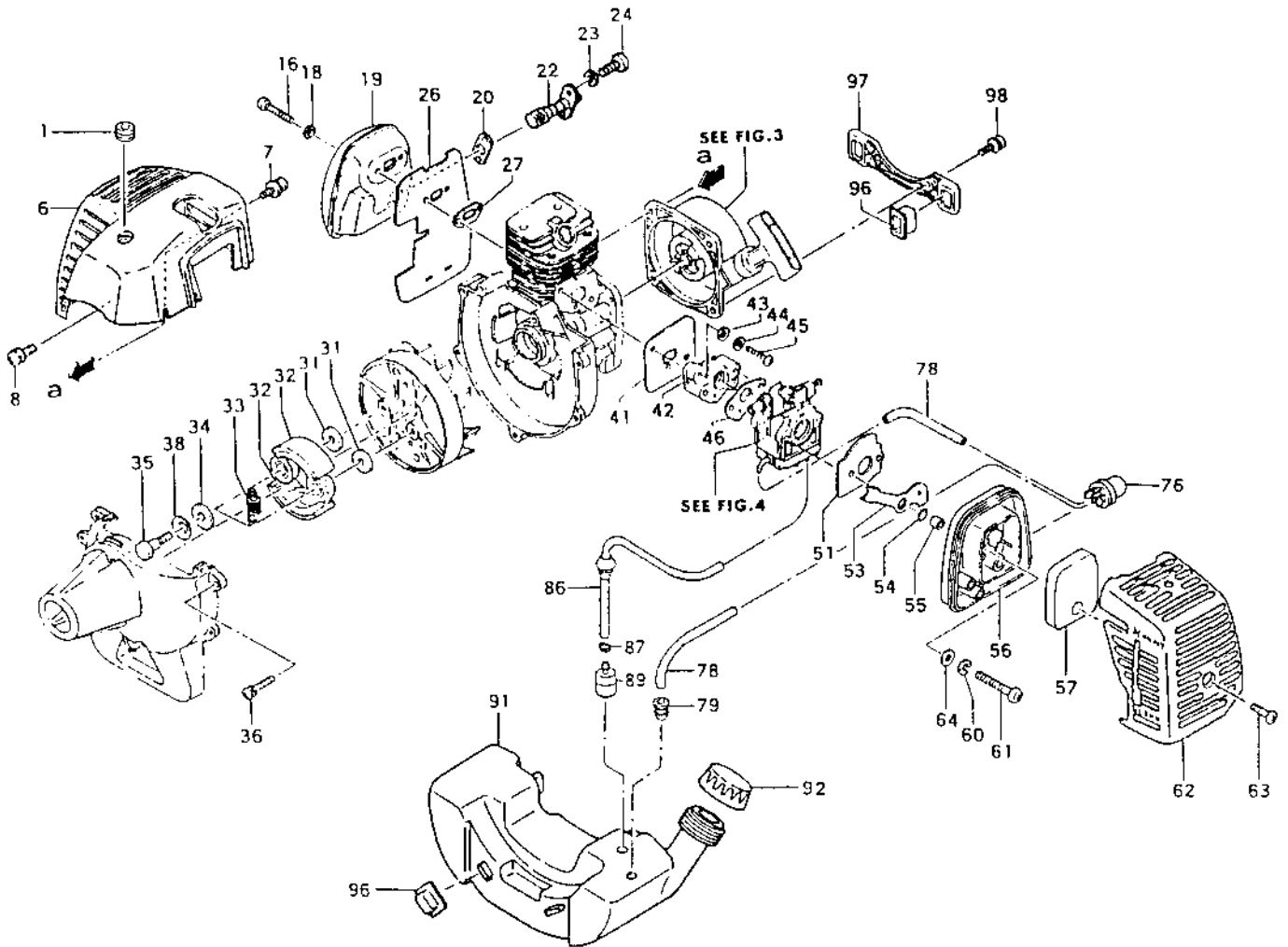


FIGURE 2

TBC-300 PARTS LISTING

REF.	PART NO.	PART DESCRIPTION	Q	C	S	SERIAL NO.	REMARKS
1	202-01003-201	GROMMET,SECONDARY CORD	1		C		
6	738-0097A-21	PROTECTOR,MUFFLER	1		C		
7	994-15040-222	SCREW,PS,4X22	2		A		
8	994-15050-122	SCREW,5X12/PS	2		C		
16	990-53060-503	SCREW,HEX,6X50	2		C		
18	992-01060-011	WASHER,6	2		A		
19	706-0165V-800	MUFFLER	1		D		
20	751-04200-201	GASKET,MUFFLER	1		C		
22	721-0098A-80	PIPE,TAIL	1		D		
23	992-10040-012	WASHER,S,4	2		B		
24	990-11040-081	SCREW,4X8	2		C		
26	133-0097A-21	SHIELD,HEAT	1		C		
27	737-0165A-201	GASKET,MUFFLER	1		B		
31	359-02103-200	WASHER,CLUTCH,B	2		B		
32	290-01620-800	SHOE,CLUTCH	2		A		
33	342-0630B-200	SPRING,CLUTCH	1		A		
34	348-0602R-200	WASHER,CLUTCH A	2		B		
35	357-0075T-200	BOLT,STEP	2		A		
36	994-14050-162	SCREW,S,5X16	3		C		
38	992-05080-030	WASHER,8	2		C		
41	403-0097A-200	GASKET,INLET MANIFOLD	1		B		
42	404-0097A-81	INSULATOR,CARBURETOR	1		C		
43	992-00050-011	WASHER,SMALL,5	2		C		
44	992-10050-012	WASHER,S,5	2		A		
45	990-11050-241	SCREW,5X24	2		D		
46	402-0602K-21	GASKET,CARBURETOR	1		B		
51	436-0162V-20	BASE,CLEANER	1		C		
53	528-0097A-210	PLATE,CHOKE	1		D		
54	999-67008-012	O-RING,S-8	1		C		
55	470-0602N-200	COLLAR,CLEANER	1		C		
56	423-0637C-800	BODY,CLEANER	1		B		
57	446-0637C-200	ELEMENT,CLEANER	1		A		
60	992-10050-012	WASHER,S,5	2		A		
61	990-11050-602	SCREW,5X60	2		C		
62	452-0165V-21	COVER,CLEANER	1		C		
63	380-0637C-200	BOLT,CLEANER	1		B		
64	992-00050-011	WASHER,SMALL,5	2		C		
76	442-25143-800	PUMP,PRIMING	1		B		
78	700-02504-080	PIPE,FUEL,2.5X4X80	2		C		

* Indicates the part is included in a kit or assembly and is not available individually. Q=Quan. used C=Interchangeability S=Stocking code: A=Fast moving B=Med. fast C=Med. move D=Slow move E=N.L.A. F=Superseded or replaced by a new part

FIGURE 2 cont.

TBC-300 PARTS LISTING

REF.	PART NO.	PART DESCRIPTION	Q	C	S	SERIAL NO.	REMARKS
79	534-32710-200	GROMMET, FUEL PIPE	1		C		
86	223-0162V-900	PIPE,FUEL,ASS'Y	1		A		
87	680-00731-201	CLIP	1		B		
89	675-04042-80	FILTER,FUEL	1		A		
91	591-0165V-202	TANK,FUEL	1		C		
92	595-0650A-90	CAP,TANK	1		A		
96	655-00940-201	CUSHION,FUEL TANK	4		A		
97	653-0097A-20	BRACKET,TANK	1		B		
98	994-15040-222	SCREW,PS,4X22	2		A		

* Indicates the part is included in a kit or assembly and is not available individually. Q=Quan. used C=Interchangeability S=Stocking code: A-Fast moving B=Med. fast C=Med. move D=Slow move E=N.L.A. F=Superseded or replaced by a new part

FIG.3 RECOIL STARTER

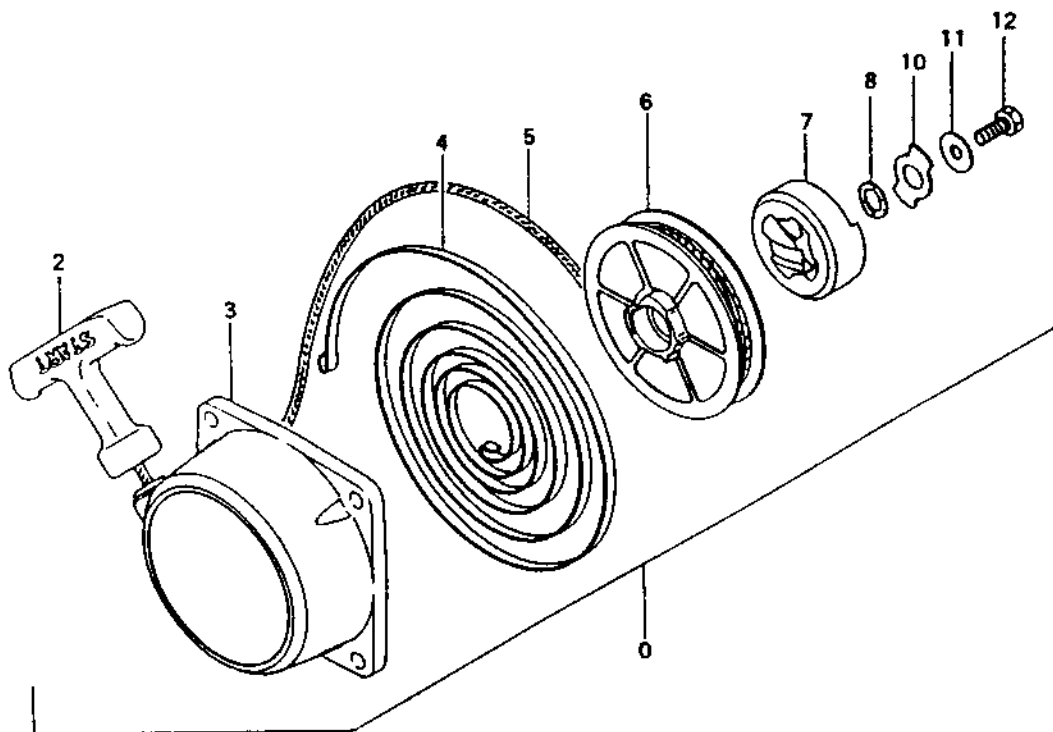


FIGURE 3

TBC-300 PARTS LISTING

REF.	PART NO.	PART DESCRIPTION	Q	C	S	SERIAL NO.	REMARKS
0	762-00940-901	STARTER,RECOIL ASS'Y	1		A		
2	785-00940-200	HANDLE,STARTER	1		C		
3	772-00940-801	BODY,STARTER	1		C		
4	780-00940-200	SPRING,RECOIL	1		A		
5	783-00940-200	ROPE,STARTER	1		B		
6	774-00940-200	REEL,STARTER ROPE	1		C		
7	788-00940-200	PAWL,STARTER	1		C		
8	801-05015-200	WASHER,STARTER PULLEY	1		B		
10	837-05015-21	PLATE,FRICION	1		C		
11	822-05015-21	SHIM,STARTER PULLEY	1		B		
12	839-05015-20	BOLT,SET	1		C		

FIG. 4 CARBURETOR

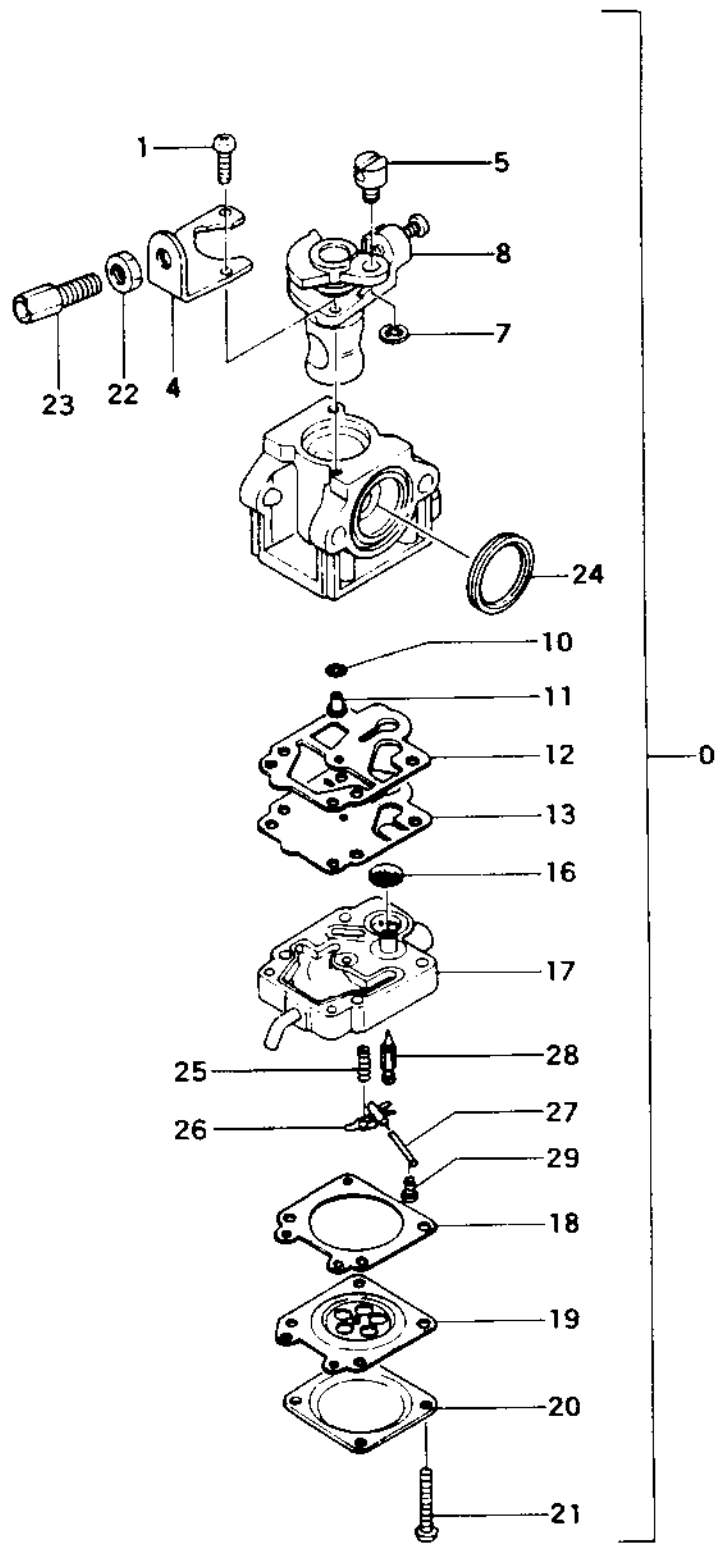


FIGURE 4

TBC-300 PARTS LISTING

REF.	PART NO.	PART DESCRIPTION	Q	C	S	SERIAL NO.	REMARKS
0	455-25148-90	CARBURETOR,ASSY	1		F	-Q050711	See PI 3058
0	455-25148-91	CARBURETOR,ASS'Y	1		C	Q050712~	See PI 3058
1	514-25100-200	SCREW,THROTTLE SET	2		D		
4	544-25120-200	STAY,ADJUST,CABLE	1		D		
5	539-25120-200	SWIVEL	1		D		
7	489-25100-200	RING,STOP	1		D		
8	488-25129-800	VALVE,THROTTLE	1		C		
10	----	O-RING	1		C		
11	599-200AW-42	JET,MAIN # 42	1		C	-P224030	See PI 3058
11	599-2000W-440	JET,MAIN,#44	1		D	P224031~	See PI 3058
12	----	*GASKET,PUMP	1		B		
13	----	*DIAPHRAGM,PUMP	1		B		
16	----	*SCREEN,INLET	1		C		* Contained in Carb. Repair Kit
17	575-25147-80	BODY,PUMP ASS'Y	1		D		650-25124-900
18	----	*GASKET,DIAPHRAGM .78mm	1		D		(Not available individually)
19	----	*DIAPHRAGM,METERING	1		A		
20	476-25004-200	COVER,DIAPHRAGM	1		D		
21	548-25101-200	SCREW,SET	4		D		
21	991-01060-013	NUT,6	1		B		
23	614-25137-200	ADJUSTER,CABLE	1		D		
24	431-0634C-200	PACKING,CLEANER	1		C		
25	477-25147-20	SPRING,VALVE	1		D		
26	----	*HINGE,VALVE	1		C		
27	----	*PIN,FLOAT	1		D		
28	----	*VALVE,NEEDLE	1		C		
29	546-25147-20	SCREW,SET,HINGE PIN	1		D		

* Indicates the part is included in a kit or assembly and is not available individually. Q=Quan. used C=Interchangeability S=Stocking code: A-Fast moving B=Med. fast C=Med. move D=Slow move E=N.L.A. F=Superseded or replaced by a new part

FIG. 5 CLUTCH CASE

UNITS BEFORE SER. # P216350

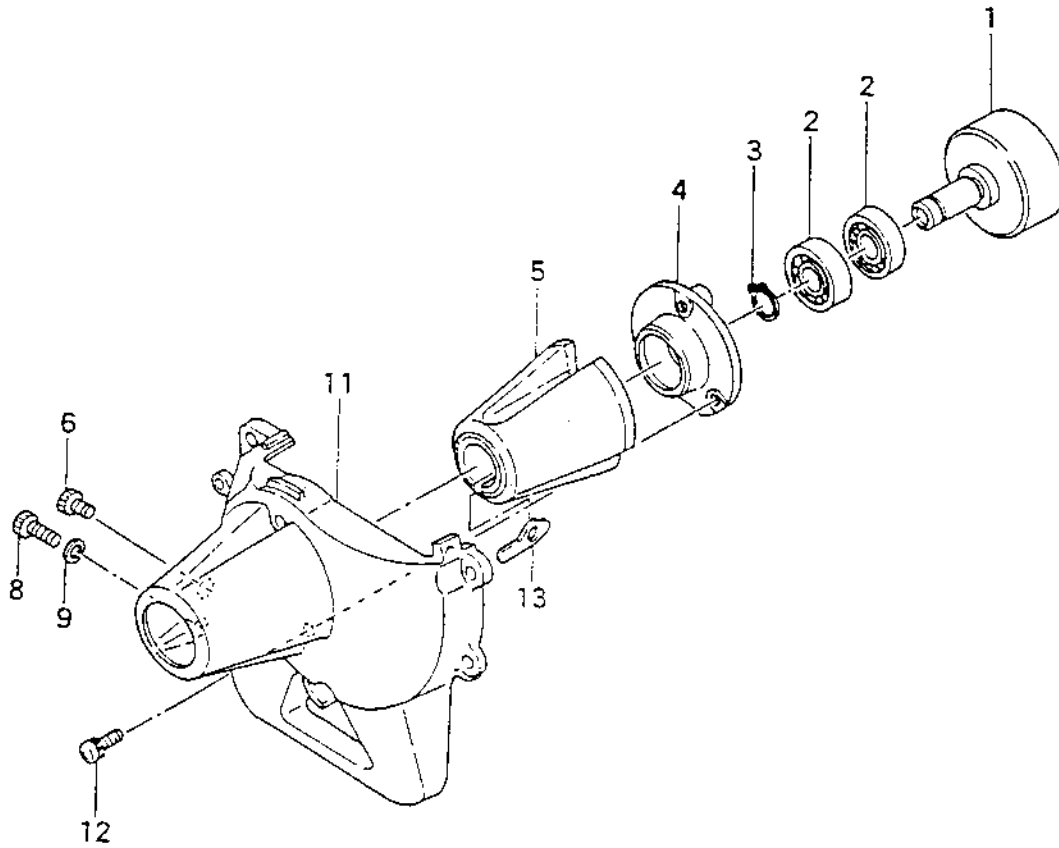


FIGURE 5

TBC-300 PARTS LISTING

REF.	PART NO.	PART DESCRIPTION	Q	C	S	SERIAL NO.	REMARKS
1	289-0631A-802	DRUM,CLUTCH	1		A		
2	999-61600-102	BEARING,BALL,#6001Z	2		B		
3	993-50012-002	RING,STOP,C-12 EX	1		A		
4	374-0631A-20	FLANGE,CLUTCH	1		B		
5	599-0165A-801	CUSHION	1		D		
6	990-51050-103	BOLT,HEX.HOLE,5X10	1		C		
8	990-51050-203	BOLT,HEX.HOLE,5X20	1		C		
9	992-10050-062	WASHER,S,5	1		D		
11	112-0097A-201	CASE,FAN	1		C		
12	994-14050-122	SCREW,S,5X12	3		B		
13	249-0165A-21	SPACER	1		D		

FIG. 5 CLUTCH CASE

UNITS AFTER SER. # P216351

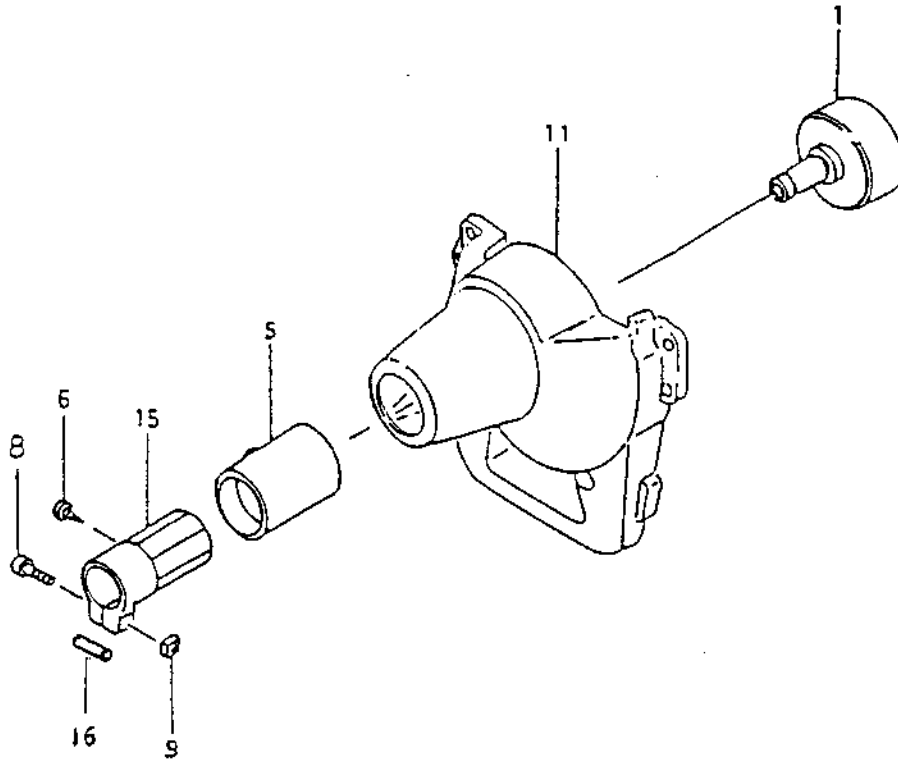


FIGURE 5

TBC-300 PARTS LISTING

REF.	PART NO.	PART DESCRIPTION	Q	C	S	SERIAL NO.	REMARKS
1	289-00980-80	DRUM,CLUTCH	1		B		
5	599-00980-20	CUSHION,RUBBER	1		B	-R267790	
5	599-00980-21	CUSHION,RUBBER	1		B	R267791~	
6	990-73045-124	SCREW,TAPPING,4.5X12	1		D	-R267790	
6	990-74045-164	SCREW,TAPPING 4.5x16	1		D	R267791~	
8	990-54050-203	BOLT,HEX,5X20	1		C	R267791~	
8	990-54050-253	BOLT,HEX 5x25	1		D	R267791~	
9	991-91050-001	NUT,5	1		C		
11	112-01280-80	CASE,FAN	1		B	-R267790	Includes bearings
11	112-01280-81	CASE,FAN COMP.	1		B	R267791~	Includes bearings
15	360-01280-20	HOLDER	1		C	-R267790	
15	360-01280-21	HOLDER	1		C	R267791~	
16	096-04300-20	COLLAR 6.3x18	1		C	R267791~	
	112-01280-00	FAN CASE SET	1		B		Use to update older units (PI-3072) Includes clutch drum and anti-vib parts

FIG. 6 HANDLE

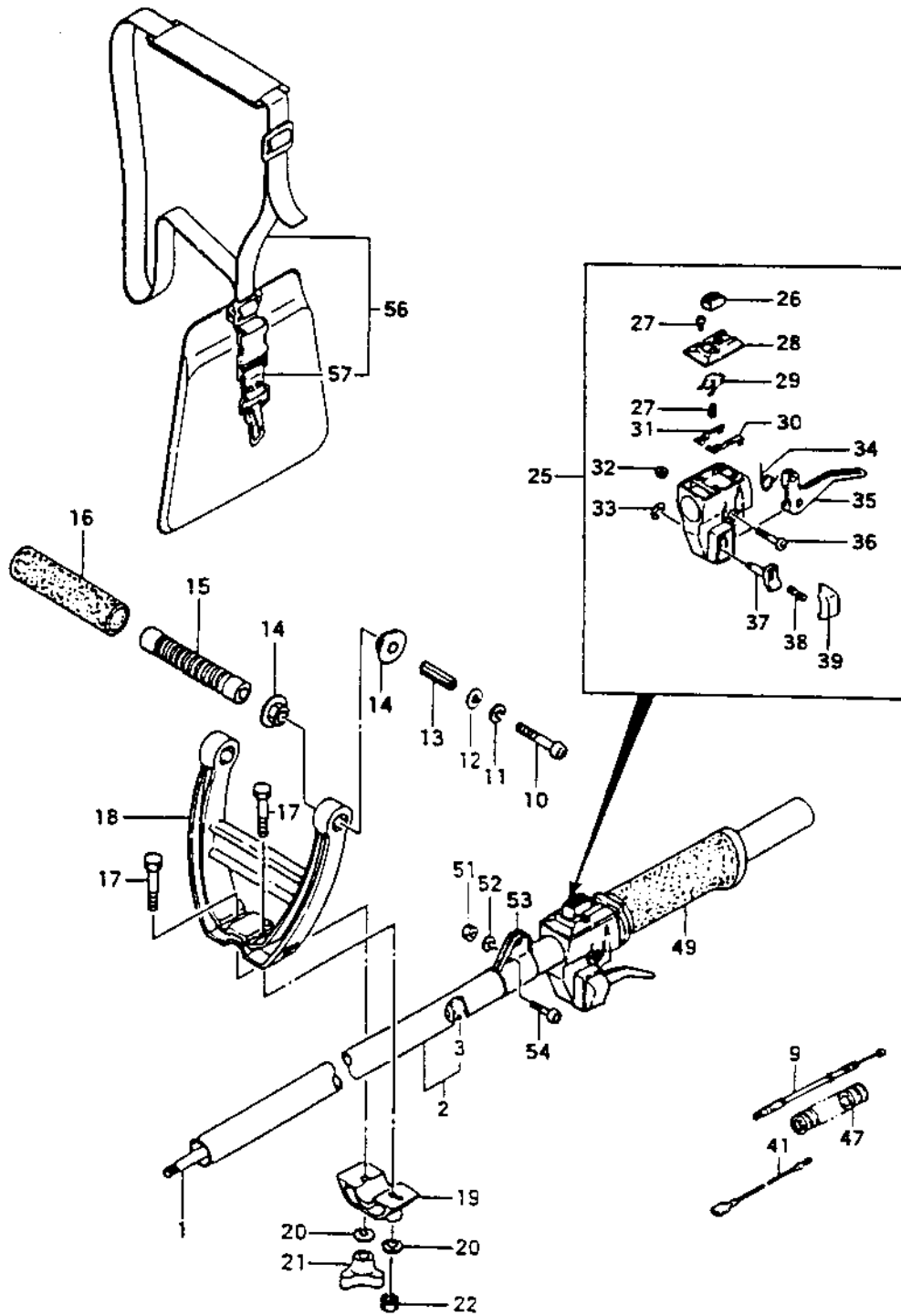


FIGURE 6

TBC-300 PARTS LISTING

REF.	PART NO.	PART DESCRIPTION	Q	C	S	SERIAL NO.	REMARKS
1	343-37300-200	SHAFT,DRIVE	1		A		
2	341-37356-80	PIPE,DRIVE SHAFT	1		C		
3	347-37356-900	BUSHING	5		C		
9	885-0097A-800	WIRE,THROTTLE	1		B	~N199200	
9	885-37394-80	WIRE,THROTTLE	1		C	N199201~	
10	990-11060-554	SCREW,6X55	2		C		
11	992-10060-062	WASHER,S,6	2		A		
12	761-37400-200	WASHER,A 2.3	2		C		
13	513-37400-200	HOLDER,HANDLE	2		C		
14	319-37400-200	CUSHION	4		C		
15	490-37400-800	HANDLE,INNER	1		C		
16	503-37400-200	GRIP,HANDLE	1		B		
17	990-21060-504	BOLT,6X50	2		C		
18	500-37350-200	HANDLE	1		D		
19	506-37350-200	BRACKET,HANDLE A	1		D		
20	359-02103-200	WASHER,CLUTCH,B	2		B		
21	512-33700-800	KNOB,HANDLE	1		C		
22	991-01060-041	NUT,6	2		D		
25	870-37003-900	LEVER,THROTTLE,26MM	1		B		
26	162-37101-200	SWITCH,STOP	1		C		
27	993-42030-081	SCREW, TAPPING, 3X8	3		D		
28	259-37101-200	BASE,STOP SWITCH	1		C		
29	262-37101-200	SPRING,STOP SWITCH	1		D		
30	177-37101-200	TERMINAL,EARTH B	1		C		
31	176-37101-200	TERMINAL,EARTH A	1		D		
32	991-86050-000	NUT,LOCK,5	1		D		
33	993-55060-001	RING,STOP,6	1		D		
34	832-37101-200	SPRING,RETURN	1		C		
35	880-37101-200	ARM,THROTTLE	1		B		
36	994-31050-251	SCREW,S.,5X25	1		C		
37	853-37101-200	SHAFT,LOCK BUTTON	1		D		
38	958-37101-200	SPRING,LOCK,BUTTON	1		D		
39	956-37101-200	BUTTON,LOCK	1		D		
41	178-37300-801	CORD,STOP	2		C	~N199200	
41	178-37394-80	CORD,STOP	2		C	N199201~	
47	164-13014-010	TUBE,PROTECTION	1		D	~N199200	
47	164-10019-00	TUBE,PROTECTION	1		C	N199201~	
49	504-37003-200	GRIP,RUBBER	1		D		
51	991-01050-041	NUT,5	1		C		

* Indicates the part is included in a kit or assembly and is not available individually. Q=Quan. used C=Interchangeability S=Stocking code: A=Fast moving B=Med. fast C=Med. move D=Slow move E=N.L.A. F=Superseded or replaced by a new part

FIGURE 6 cont.

TBC-300 PARTS LISTING

REF.	PART NO.	PART DESCRIPTION	Q	C	S	SERIAL NO.	REMARKS
52	992-10050-062	WASHER,S,5	1		D		
53	335-33682-200	METAL,LIFTING	1		C		
54	990-51050-163	BOLT,HEX,5X16	1		C		
56	SS-250	STRAP,SHOULDER	1		C		
57	748-33564-900	HOOK,ASS'Y	1		D		

* Indicates the part is included in a kit or assembly and is not available individually. Q=Quan. used C=Interchangeability S=Stocking code: A=Fast moving B=Med. fast C=Med. move D=Slow move E=N.L.A. F=Superseded or replaced by a new part

FIG.7 GEAR CASE

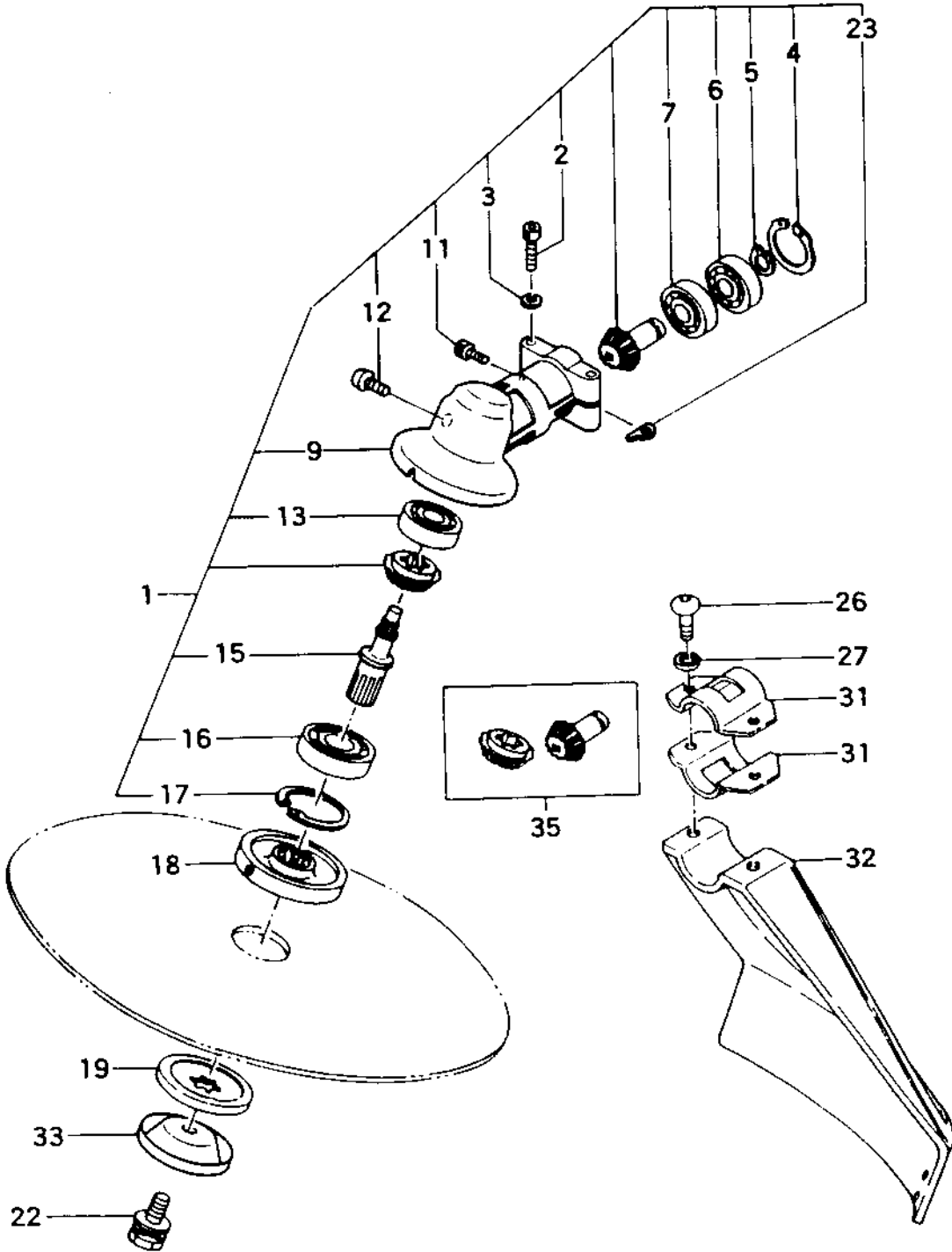


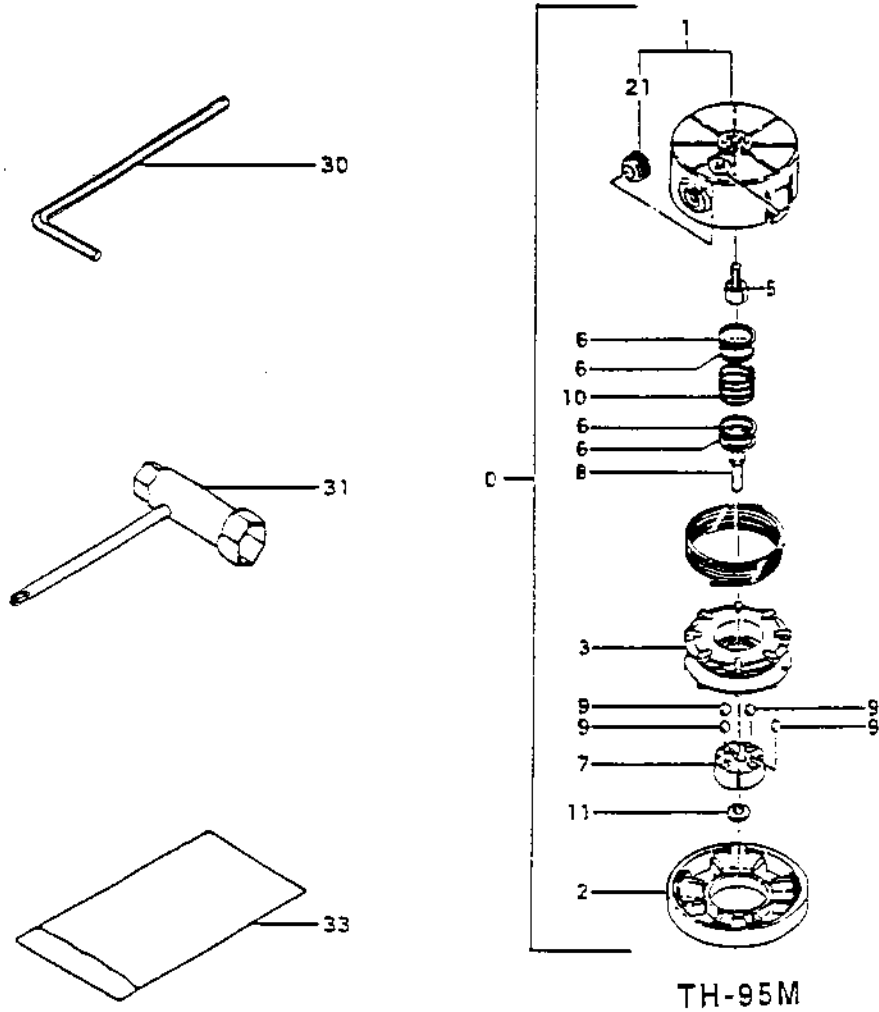
FIGURE 7

TBC-300 PARTS LISTING

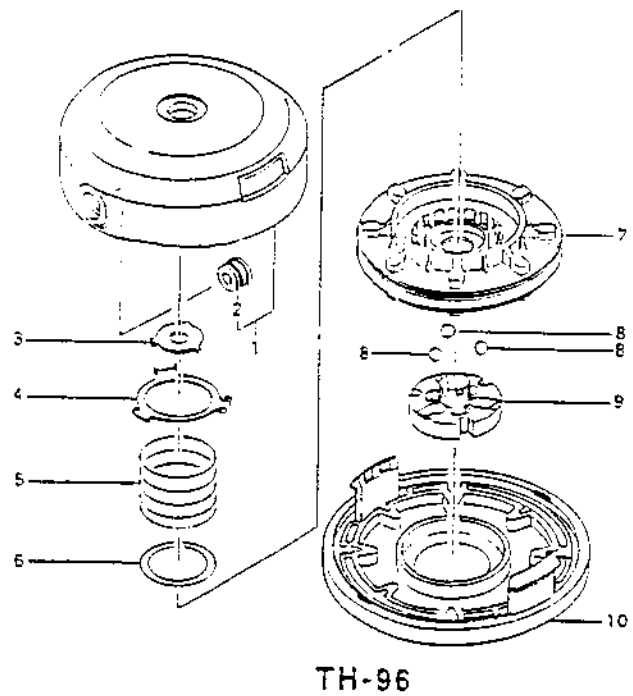
REF.	PART NO.	PART DESCRIPTION	Q	C	S	SERIAL NO.	REMARKS
1	300-37380-90	CASE,GEAR,ASS'Y	1		D	~N199200	
1	300-37452-90	CASE,GEAR ASS'Y	1		C	N199201~	
2	990-51050-253	BOLT,HEX,5X25	2		B		
3	992-10050-062	WASHER,S,5	2		D		
4	993-51024-002	RING,STOP,C-28,IN	1		C		
5	993-50009-002	RING,STOP,C9	1		D		
6	999-61609-002	BEARING,BALL,#609Z	1		D		
7	999-61609-000	BEARING,BALL,#609	1		D		
9	300-37380-20	CASE,GEAR	1		D		
11	990-51050-103	BOLT,HEX.HOLE,5X10	1		C		
12	990-14080-104	SCREW,8X10	1		A		
13	999-61628-000	BEARING,BALL,#628	1		D		
15	304-37380-20	SHAFT,GEAR	1		D		
16	999-61620-103	BEARING,BALL #6201D	1		D		
17	993-51032-002	RING,STOP,C-32 IN	1		C		
18	310-37623-202	HOLDER,CUTTER	1		B		
19	311-37300-20	CAP,CUTTER HOLDER	1		A		
22	312-33386-20	BOLT, FIXING, L.H.	1		C		
23	324-37350-20	WASHER,GEAR CASE	1		D		
26	990-53060-153	BOLT,HEX,6X15	2		B		
27	992-10060-062	WASHER,S,6	2		A		
31	442-33671-201	BRACKET	2		B		
32	441-33905-800	GUARD,SAFETY	1		A		
33	316-33410-200	PROTECTOR,BOLT	1		A		
35	301-37380-00	SET,GEAR PINION	1		D	~N199200	
35	301-33395-00	SET,GEAR/PINION	1		C	N199201~	

* Indicates the part is included in a kit or assembly and is not available individually. Q=Quan. used C=Interchangeability S=Stocking code: A=Fast moving B=Med. fast C=Med. move D=Slow move E=N.L.A. F=Superseded or replaced by a new part

FIG.8 TOOLS & NYLON HEAD



TH-95M



TH-96

FIGURE 8

TBC-300 PARTS LISTING

REF.	PART NO.	PART DESCRIPTION	Q	C	S	SERIAL NO.	REMARKS
0	783-33910-91	HEAD,1R486,AUTO,(M)	1		A	-Q203631	TH-95M
1	786-33004-900	BODY,CUTTING,ASS'Y	1		A		
2	789-33004-21	CAP,BODY	1		A		
3	787-33004-202	REEL,(R S M X)	1		A		
5	314-33670-20	BOLT,8X1.25 LH GOLD	1		A		
6	792-33004-200	WASHER,REEL	4		A		
7	790-33004-200	SLIDER,REEL	1		A		
8	791-33004-200	HOOK,REEL SLIDER	1		A		
9	673-35600-20	BALL,STEEL	4		B		
10	793-33910-20	SPRING,REEL	1		A		
11	358-02103-200	WASHER,CLUTCH A	1		A		
21	788-33071-20	EYELET	2		A		
30	813-20000-200	WRENCH,HEX,4	1		D		
31	829-20000-80	SPANNER,COMBI,13X19	1		C	-M218333	
31	826-20000-80	SPANNER,COMBI,17X19	1		C	M218334~	
33	948-39907-200	BAG,TOOL	4		D		

REF.	PART NO.	PART DESCRIPTION	Q	C	S	SERIAL NO.	REMARKS
0	783-33810-90	HEAD,AUTO,(TH-96)	1		B	Q203632~	TH-96
1	786-33810-90	BODY,CUTTING	1		B		
2	788-33071-20	EYELET	2		A		NOTE: This head can be fitted on any TBC-300
3	760-33810-20	WASHER,MOUNTING	1		A		
4	785-33810-20	BASE,ADJUSTMENT	1		B		
5	793-33810-21	SPRING, REEL, BLK.	1		A		
6	792-33810-20	WASHER,ADJUSTMENT	1		A		
7	787-33810-20	REEL	1		B		
8	673-35600-20	BALL,STEEL	3		B		
9	790-33810-20	SLIDER,REEL	1		B		
10	789-33810-20	CAP,BODY	1		B		

* Indicates the part is included in a kit or assembly and is not available individually. Q=Quan. used C=Interchangeability S=Stocking code: A=Fast moving B=Med. fast C=Med. move D=Slow move E=N.L.A. F=Superseded or replaced by a new part

FIG.9 MARKS

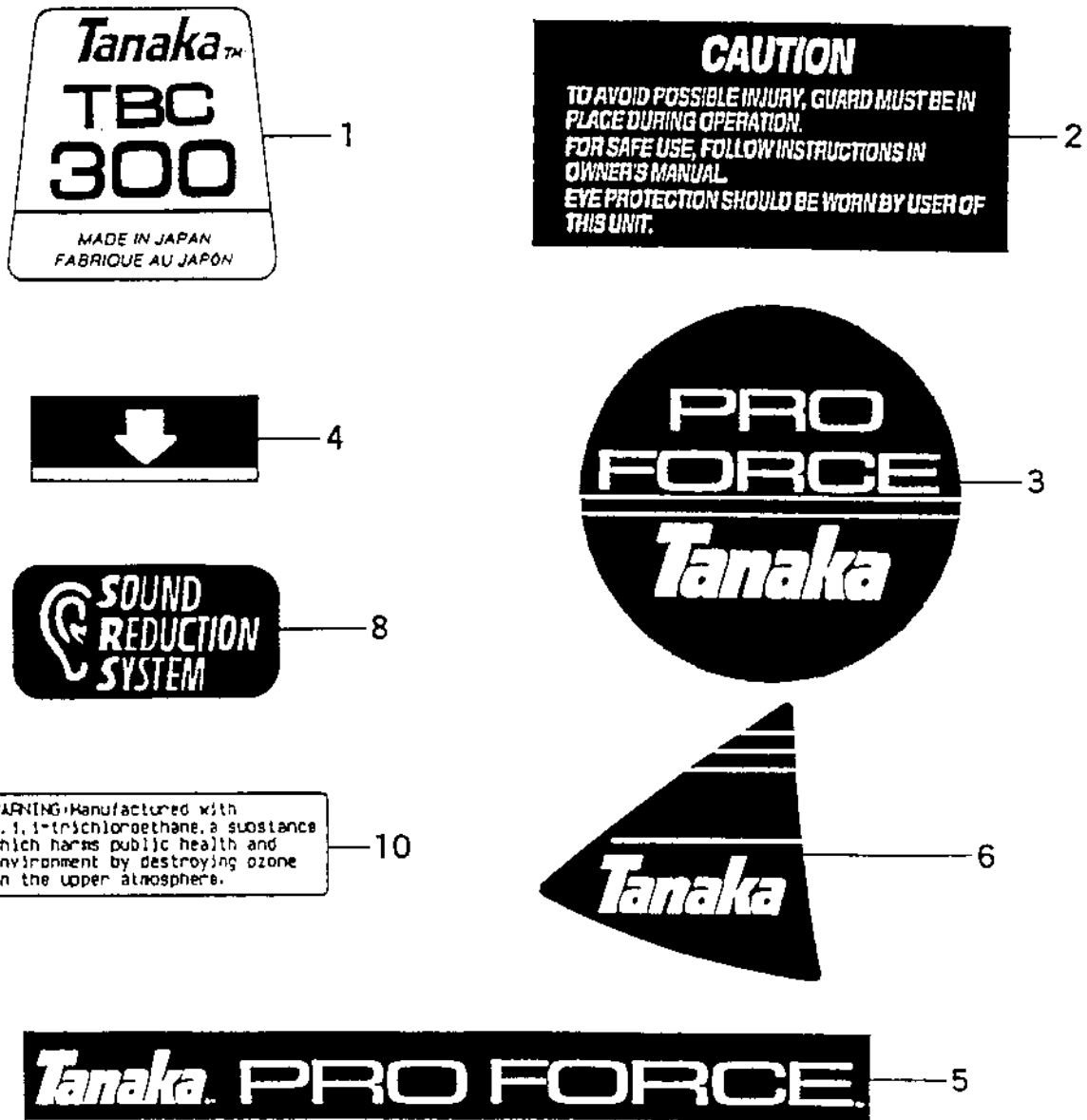


FIGURE 9

TBC-300 PARTS LISTING

REF.	PART NO.	PART DESCRIPTION	Q	C	S	SERIAL NO.	REMARKS
1	906-37391-20	DECAL,TBC-300	1		D		
2	919-37701-200	DECAL	1		D		
3	950-37900-200	DECAL,PRO-FORCE A	1		C		
4	923-37400-200	DECAL,LEVEL	1		D		
5	951-31310-200	DECAL,PRO-FORCE B	1		D		
6	933-37301-200	DECAL,SYMBOL	1		D		
8	911-06500-200	DECAL,SRS	1		D		