

Tanaka Illustrated Parts Manual

Model Number:

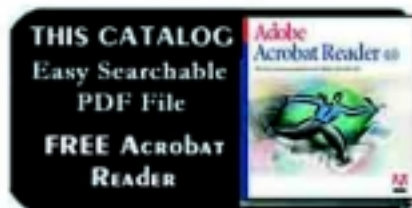
TBC-3010

GRASS TRIMMER/BRUSHCUTTER

P/N 27122

Rev 002

Date 2-22-05



Supplier To The Outdoor Power Equipment Industry

ISM, Inc. • 1028 4th Street SW, Ste "B" • Auburn, WA 98001 • Phone: (253) 333-1200 • Fax: (253) 333-1212

TBC-3010

Grass Trimmer / Brush Cutter



New Low Profile Guard

Features / Benefits

- **29cc, 1.6 hp engine** features two piston rings and a stress relieved, chrome plated cylinder for long engine life.
- **Re-designed cutting guard** provides a less restricted cutting view while conforming to ANSI standards.
- **Bearing supported, solid steel drive shaft** provides smooth and efficient power transfer from the engine to the cutting head.
- **Heavy-duty anti-vibration system** includes a padded front handle and heavy-duty rubber mount between the engine and shaft.
- **1 / 2 / 5 Warranty Coverage** provides **One-Year** coverage for professionals, **Two-Year** Coverage for Homeowners, and **Five Years** on the Electronic Ignition Module.

Specifications

Engine Displacement cc (cu. in.)	29 (1.8)
Power (h.p.)	1.6
Cylinder	Chrome Plated, Stress Relieved
Carburetion	Walbro Diaphragm with Primer
Ignition System	Transistorized Electronic
Fuel Tank Capacity / fl. oz. (cc)	28.9 (850)
Anti-Vibration	Engine Mount & Handles
Clutch System	Heavy-Duty Centrifugal
Shaft Support	5 Shaft Bearings
Drive System	7mm Solid Steel Shaft
Standard Cutting Head	5" Semi-Automatic Feed (.095" Line)
Dry Weight / lbs. (kg) w/head	12.6 (5.7)

Optional Accessories:

ORDER #	DESCRIPTION
746251	BRAIN™ automatic feed head (TH-95)
746751	BRAIN™ automatic feed head (TH-97)
746280	Aluminum fixed line head
746290	Aluminum manual feed head
746353	6" semi-auto head
748502	Dual handle kit
Varies	Assorted brush & weed blades
746291	Deluxe shoulder harness
748501	Blade conversion kit*
TMC-200	Cultivator attachment
Varies	Copolymer Nylon Cutting Line
Varies	Perfect Mix 2-Cycle Engine Oil

All data and specifications are subject to change without notice
For more information, contact:

* May require 3010 update kit & blade guard kit

Grass Trimmer Attachments

TPS-200

Pruning Saw Attachment

The versatile TPS-200 Pruning Saw attachment easily converts Tanaka straight shaft grass trimmers / brushcutters into a powerful pruning saw.



TPS-200 Features:

- 24" Shaft Provides a 98" Overall Length when mounted
- 10" Oregon® Bar & Chain
- Easy-Mount Coupler

To be used with the following Tanaka models:

- AST-7000 / 7000S / 210
- TBC-4500 / 4501 / 2211
- TBC-220 / 240
- TBC-250 / 2501 / 2510 / 265
- TBC-270PF/PN



TPS-EXT Pruning Saw **Extension** (Part # 748511) Add an **extra two feet of reach** with this pruning saw extension that will fit on both the TPS-2510 and TPS-270PN Pruning Saws. In addition, it can be added to Tanaka straight shaft grass trimmers that utilize the TPS-200 Pole Saw Attachment.

TPH-200

Pole Hedge Trimmer Attachment

For added reach and maneuverability, the TPH-200 Pole Hedge Trimmer attachment can be added to several Tanaka straight shaft grass trimmers / brushcutters.



TPH-200 Features:

- 22" Double Sided Cutting Blades
- Articulating / Pivoting Cutting Angle up to 130 degrees.

To be used with the following Tanaka models:

- AST-7000 / 7000S / 210
- TBC-4500 / 4501 / 2211
- TBC-220 / 240
- TBC-250 / 2501 / 2510 / 265
- TBC-270PF/PN

TMC-200

Mini-Cultivator

This simple, easy to install attachment is ideal for quick garden / flower bed weeding and cultivation. For maximum depth, the TMC-200 can dig up to 4 inches into the ground and 6" wide.

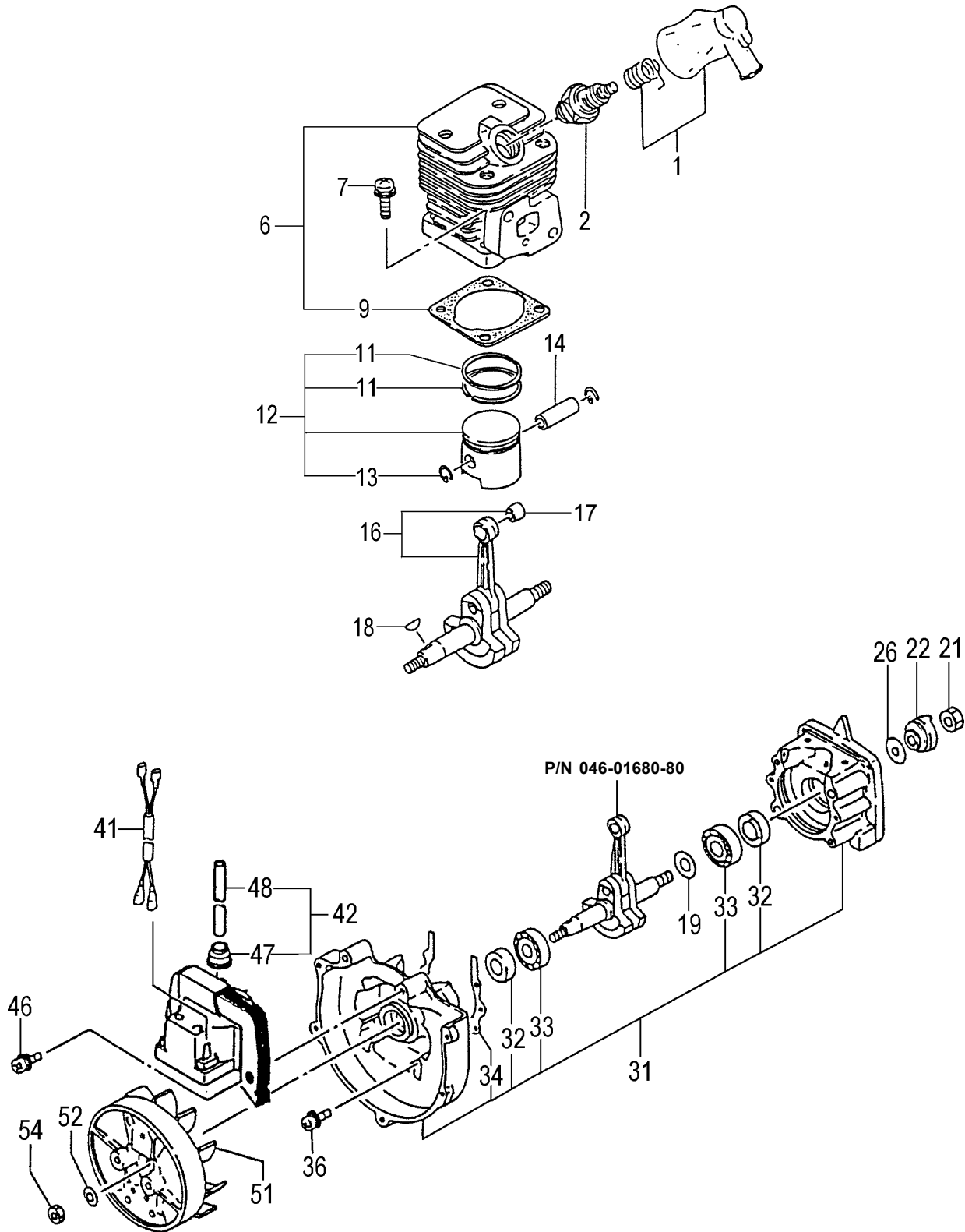
With a 49:1 reduction ratio, this heavy duty gear box gives you more tilling power.



To be used with the following Tanaka models:

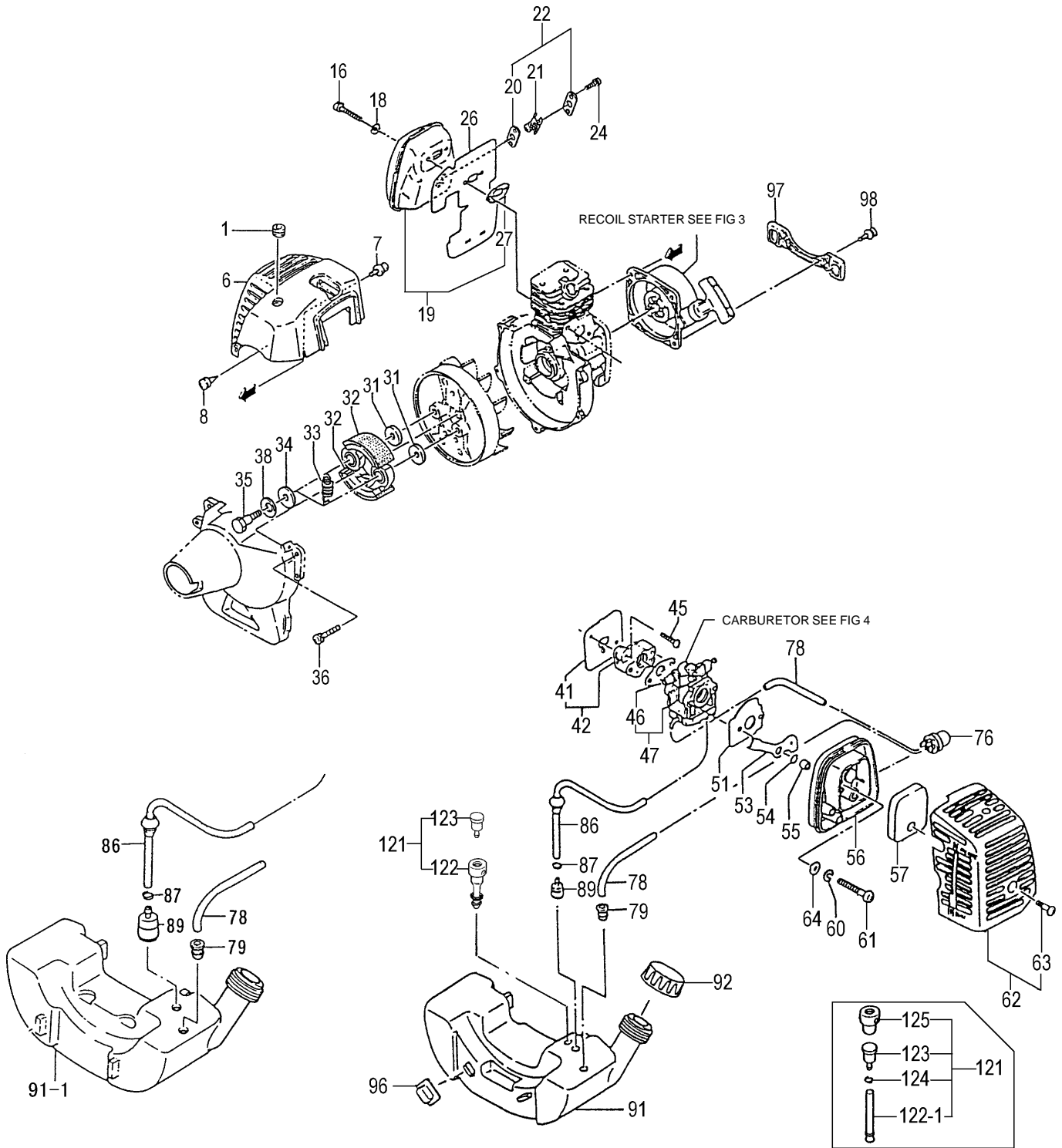
- AST-7000 / 7000S / 210
- TBC-4500 / 4501 / 2211
- TBC-220 / 240
- TBC-250 / 2501 / 2510 / 265
- TBC-270PF/PN
- TBC-300 / 3010
- TBC-420PF

All data and specifications are subject to change without notice
For more information, contact:



ENGINE / CYLINDER, PISTON, CRANKSHAFT • FIGURE 1

ITEM	PART NUMBER	DESCRIPTION	QTY	COMMENTS
1-1	1570097A900	CAP, SPARK PLUG, ASS'Y	1	
1-2	01802233200	PLUG, SPARK	1	
1-6	0010128090	SET, CYLINDER	1	
1-7	99414050161	SCREW, 5X16/S	4	
1-9	0170128020	GASKET, CYLINDER	1	
1-11	0410170020	RING, PISTON	2	
1-12	0300128090	SET, PISTON	1	
1-13	03900000201	CIRCLIP, PISTON PIN	2	
1-14	03701700200	PIN, PISTON	1	
1-16	0460165A81	CRANKSHAFT	1	
1-17	99962091325	BEARING, NEEDLE, F-910	1	After S/N Q203532
1-18	06810100200	KEY, WOODRUFF, 3X13X4.5	1	
1-19	33000200210	SHIM, 12.2X19X.10	V	*Shims are "as needed" to obtain correct side clearance
1-19	33000200220	SHIM, 12.2X19X.15	V	
1-19	33000200230	SHIM, 12.2X19X.20	V	
1-19	33000200240	SHIM, 12.2X19X.30	V	
1-21	99101080011	NUT, 8	1	
1-22	79801630200	PULLEY, STARTER	1	
1-26	35910112203	WASHER, CLUTCH B	1	*Crankcase assy includes bearings, seals and gaskets.
1-31	0720128091	CRANKCASE ASSY	1	
1-32	99966122240	SEAL, OIL, #12227	2	
1-33	99961600100	BEARING, BALL, #6001	2	
1-34	0900060120	GASKET, CRANKCASE	1	
1-36	99414050251	SCREW, 5X25	4	
1-41	1780655080	CORD, STOP, 180mm	1	
1-42	1672052190	COIL, IGNITION	1	
1-46	99416050201	SCREW, 5X20/WS	2	
1-47	56020517200	CAP, RUBBER	1	
1-48	26420516200	LEAD, HIGH TENSION	1	
1-51	1552050980	ROTOR, MAGNETO	1	
1-52	99200080011	WASHER, 8	1	
1-54	99101080011	NUT, 8	1	

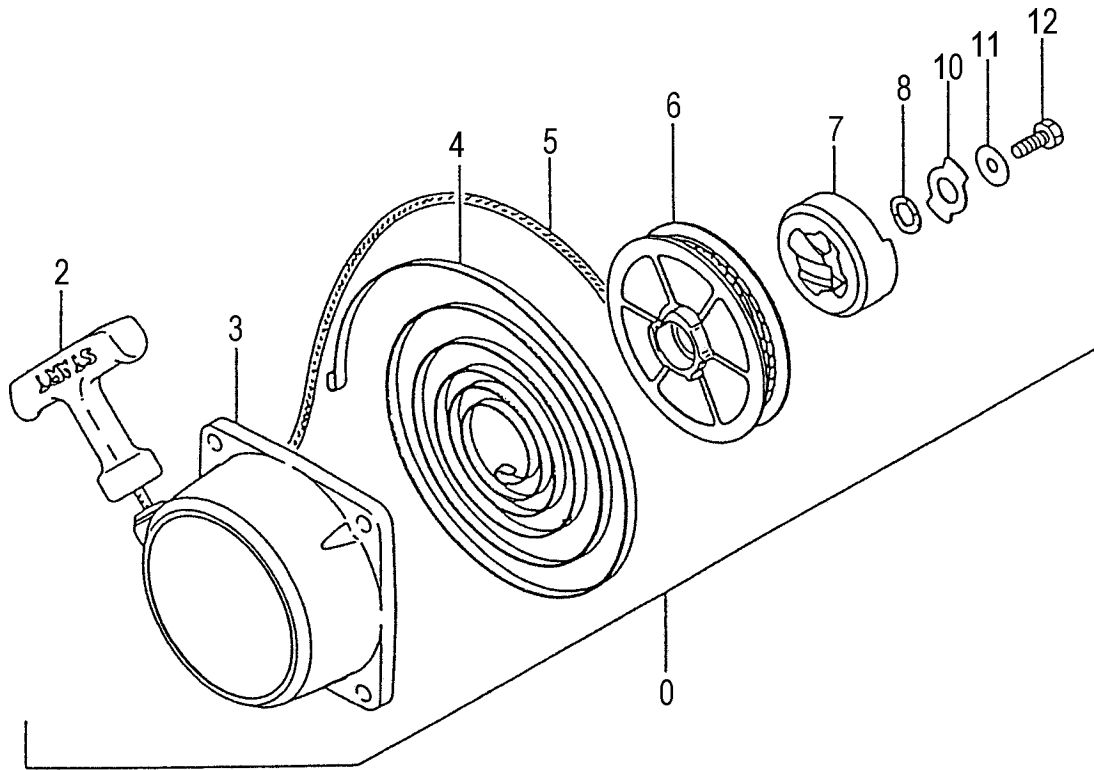


FUEL TANK, FUEL SYSTEM, AIR CLEANER • FIGURE 2

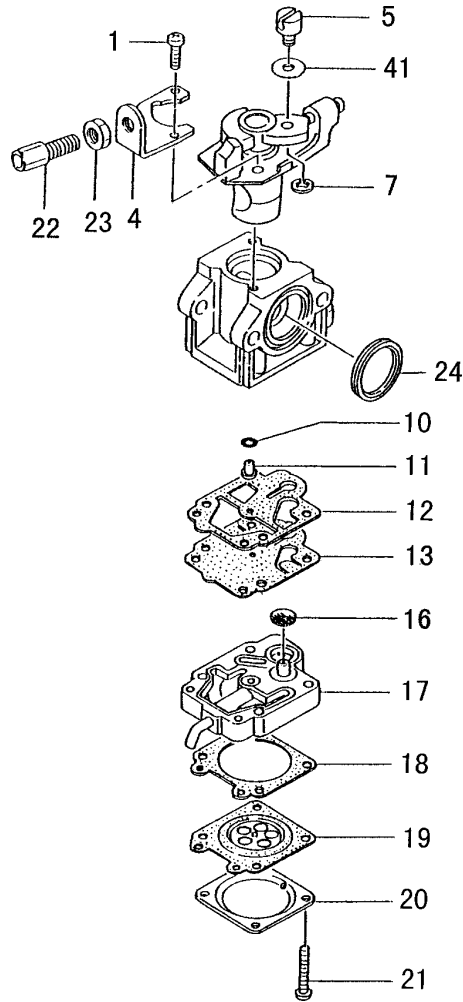
ITEM	PART NUMBER	DESCRIPTION	QTY	COMMENTS
2-1	20201003201	GROMMET,SECONDARY CORD	1	
2-6	7380097A21	PROTECTOR,MUFFLER	1	
2-7	99415040222	SCREW,PS,4X22	2	
2-8	99072045164	SCREW,TAPPING,4.5X16	2	
2-16	99053060503	SCREW,HEX,6X50	2	
2-18	99201060011	WASHER,6	2	
2-19	7040097A91	SET,MUFFLER	1	
2-20	75104200201	GASKET,MUFFLER	1	
2-21	7320631A200	ARRESTER,SPARK	1	
2-22	7340099K90	PIPE,EXHAUST (CA)	1	
2-24	99434040081	SCREW,4X8/S	2	
2-26	1330097A21	SHIELD,HEAT	1	
2-27	7370165A201	GASKET,MUFFLER	1	
2-31	35902103200	WASHER,CLUTCH,B	2	
2-32	29001620800	SHOE,CLUTCH	2	
2-33	3420630B200	SPRING,CLUTCH	1	
2-34	3480602R200	WASHER,CLUTCH A	2	
2-35	3570075T200	BOLT,STEP	2	
2-36	99416050162	SCREW,5X16/WS	3	
2-38	99205080030	WASHER,8	2	
2-41	4030097A21	GASKET,INLET MANIFOLD	1	
2-42	4040097A90	SET,CARB INSULATOR	1	
2-45	99416050241	SCREW 5x24WS	2	
2-46	4020602K21	GASKET,CARBURETOR	1	
2-47	4550129A90	SET, CARBURETOR	1	
2-51	4360162V20	BASE,CLEANER	1	
2-53	5280097A21	LEVER,CHOKE	1	
2-54	99967008012	O-RING,S-8	1	
2-55	4700602N200	COLLAR,CLEANER	1	
2-56	4230637C800	BODY,CLEANER	1	
2-57	4460637C200	ELEMENT,CLEANER	1	
2-60	99210050012	WASHER,S,5	2	
2-61	99011050602	SCREW,5X60	2	
2-62	4520165V90	COVER,CLEANER ASS'Y	1	
2-63	3800637C200	BOLT,CLEANER COVER	1	
2-64	99200050011	WASHER,SMALL,5	2	

FUEL TANK, FUEL SYSTEM, AIR CLEANER • FIGURE 2

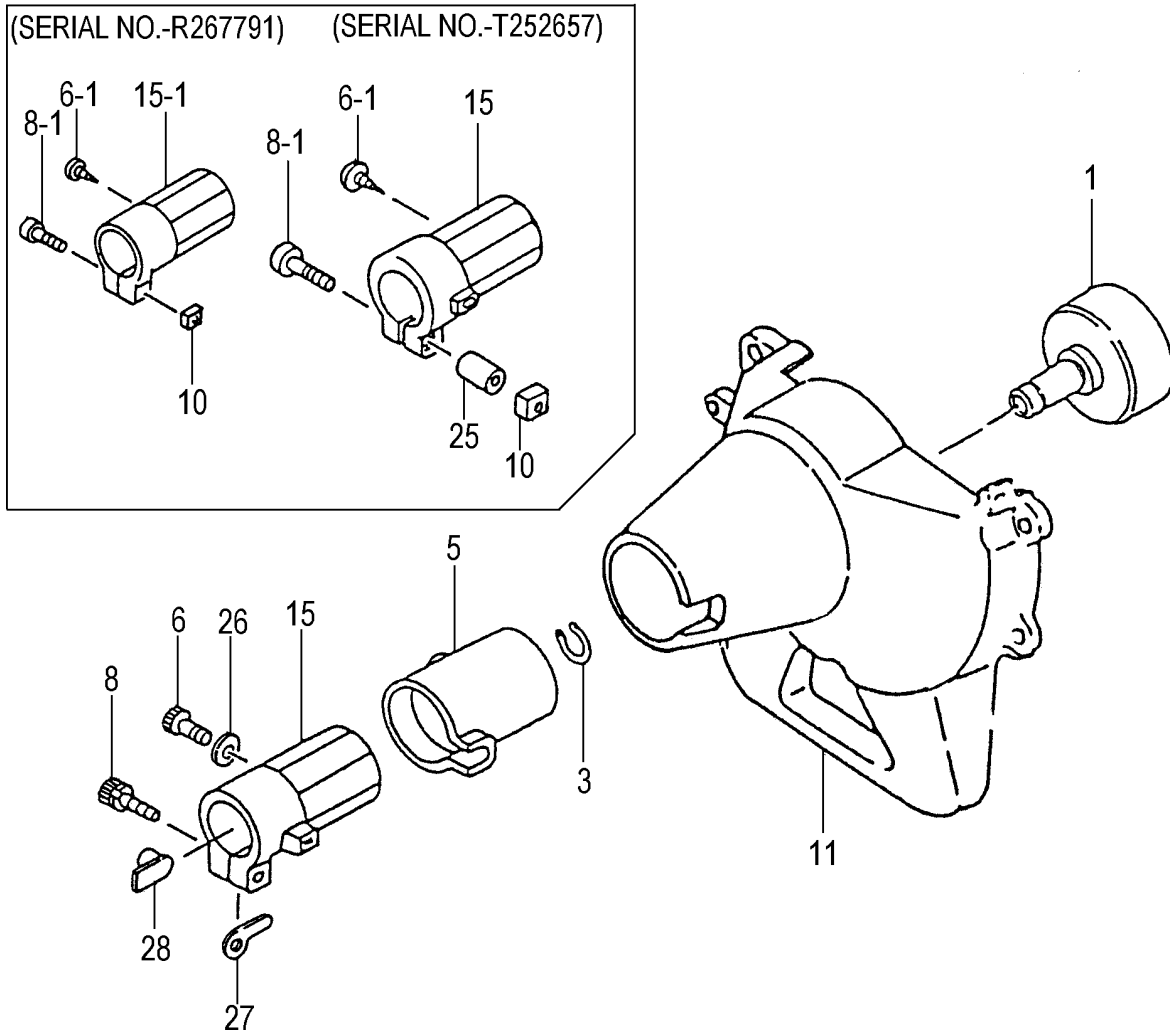
ITEM	PART NUMBER	DESCRIPTION	QTY	COMMENTS
2-76	44225143800	PUMP, PRIMING ASS'Y	1	
2-78	70002504080	PIPE, FUEL, 2.5X4X80	2	
2-79	53432710200	GROMMET, FUEL PIPE	1	
2-86	2230162V900	PIPE, FUEL, ASS'Y	1	
2-87	68000731201	CLIP 6.3	1	
2-89	6750404280	FILTER, FUEL	1	
2-91	5910165V202	TANK, FUEL	1	Before S/N T252657
2-91	5910129420	TANK, FUEL	1	S/N T252658 and after
2-92	5950650A90	TANK CAP	1	Before S/N T252657
2-92	5950656B90	CAP, FUEL BLACK, NON VENT	1	S/N T252658 and after
2-96	65500940201	CUSHION, FUEL TANK	4	
2-97	6530097A20	TANK BRACKET	1	
2-98	99415040222	SCREW, PS, 4X22	4	
2-121	5640661190	VENT, AIR ASS'Y	1	S/N T252658 and after
2-122	5650503220	PIPE AIR VENT	1	From S/N T252658 to S/N V087831
2-122	5650441020	PIPE, AIR VENT	1	S/N V087831 and after
2-123	6460661290	VALVE	1	S/N T252658 and after
2-124	68000731201	CLIP 6.3	1	S/N T252658 and after
2-125	5610007020	COVER, AIR VENT	1	S/N T252658 and after



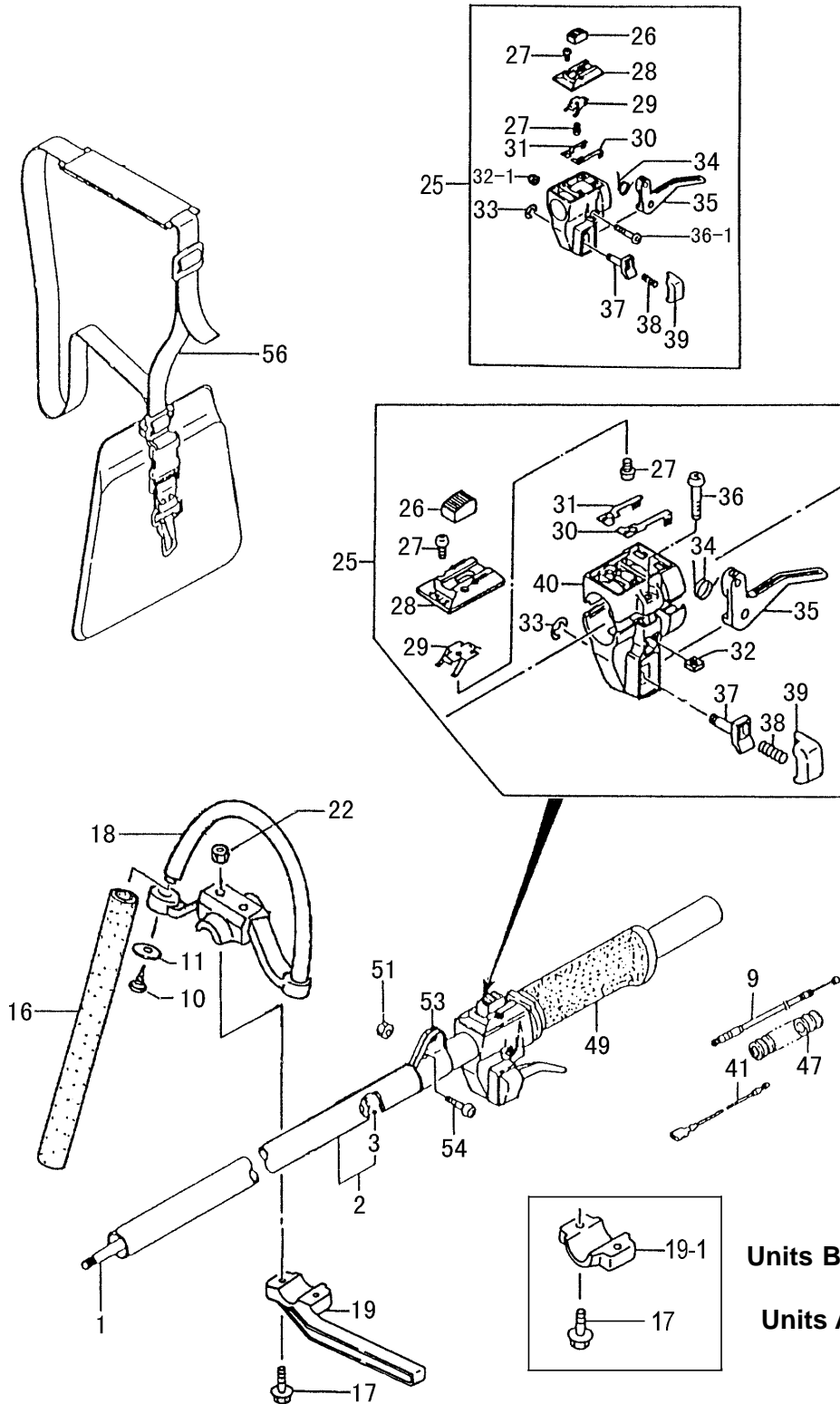
ITEM	PART NUMBER	DESCRIPTION	QTY	COMMENTS
3-0	7620094090	STARTER,RECOIL ASS'Y	1	
3-2	78500940200	HANDLE,STARTER	2	
3-3	77200940801	BODY,STARTER	1	
3-4	78000940200	SPRING,RECOIL	1	
3-5	78300940200	ROPE,STARTER	1	
3-6	77400940200	REEL,STARTER ROPE	1	Prior to S/N V218191
3-6	7740163021	REEL,STARTER ROPE	1	S/N V218191 and after
3-7	7880163021	PAWL,STARTER	1	
3-8	80105015200	WASHER,STARTER PULLEY	1	
3-10	8370501521	PLATE,FRICITION	1	
3-11	82205015200	SHIM,STARTER PULLEY	1	Prior to S/N V218191
3-11	8220423020	SHIM,STARTER PULLEY	1	S/N V218191 and after
3-12	8390423020	BOLT,SET	1	



ITEM	PART NUMBER	DESCRIPTION	QTY	COMMENTS
4-0	4550129A90	CARBURETOR	1	
4-1	51425100200	SCREW, THROTTLE SET	2	
4-4	54425164200	STAY, ADJUST, CABLE	1	~ Contained in Carb Repair Kit
4-5	53925120200	SWIVEL	1	P/N 650-25124-900
4-7	48925100200	RING, STOP	1	(Not available individually)
4-10	55025100200	O-RING	1	
4-11	599200AW42	JET, MAIN, #42	1	
4-12	~ ~ ~	GASKET, PUMP	1	
4-13	~ ~ ~	DIAPHRAGM, PUMP	1	
4-16	~ ~ ~	SCREEN, INLET	1	
4-17	5752514780	BODY, PUMP ASS'Y	1	
4-18	~ ~ ~	GASKET, DIAPHRAGM	1	
4-19	~ ~ ~	DIAPHRAGM, METERING	1	
4-20	47625004200	COVER, DIAPHRAGM	1	
4-21	54825101200	SCREW, SET	4	
4-22	61425137200	ADJUSTER, CABLE	1	
4-23	99101060013	NUT, 6	1	
4-24	4310634C200	GASKET, CLEANER	1	
4-41	5492516520	WASHER, THRUST	1	

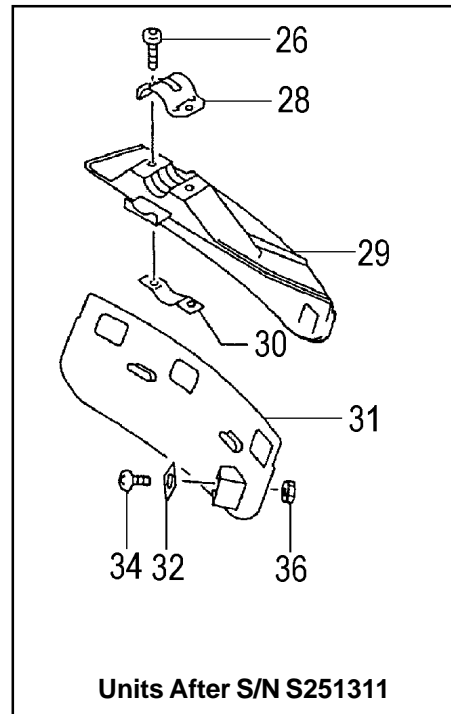
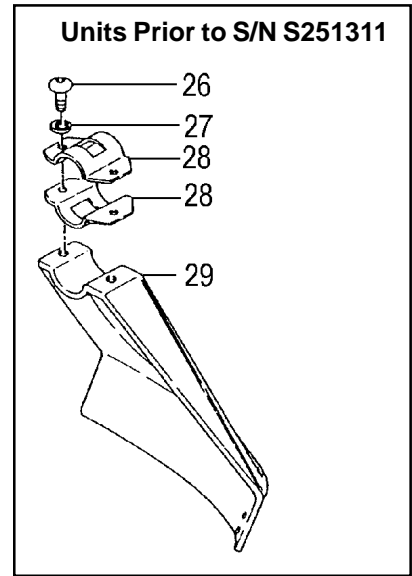
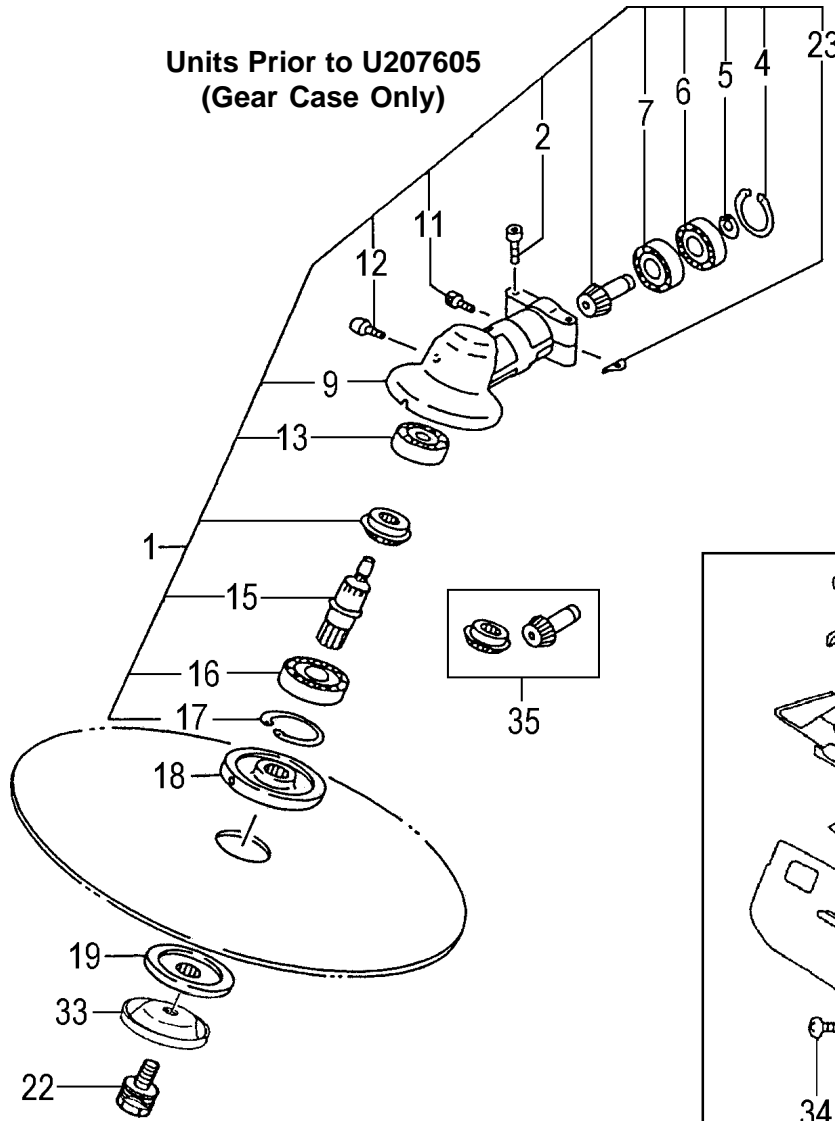


ITEM	PART NUMBER	DESCRIPTION	QTY	COMMENTS
5-1	2890098080	DRUM,CLUTCH	1	
5-3	99350012002	RING,STOP,C-12 EX	1	
5-5	5990098020	CUSHION,RUBBER	1	Before S/N R267791
5-5	5990098021	CUSHION,RUBBER	1	S/N R267792 and after
5-6-1	99074045164	SCREW,TAPPING 4.5x16	1	Before S/N T252657
5-6	99051050163	BOLT,HEX,5X16	1	S/N T252658 and after
5-8-1	99054050203	BOLT,HEX,5X20	1	Before S/N R267791
5-8-1	99054050253	BOLT,HEX 5x25	1	Before S/N T252657
5-8	99461050254	BOLT,HEX HOLE,5X25S	1	S/N T252658 and after
5-10	99191050001	NUT,5	1	Before S/N T252657
5-11	11201280812	SET,FAN CASE	1	*Includes Bearing
5-15-1	3600128020	HOLDER	1	Before S/N R267791
5-15	3600128021	HOLDER	1	From S/N R267792 through S/N T252657
5-15	3600129020	HOLDER,PIPE 26 DIA	1	S/N T252658 and after
5-25	0960430020	COLLAR 6.3x18	1	
5-26	99201050061	WASHER,5	1	S/N T252658 and after
5-27	3243735020	WASHER,GEAR CASE	1	S/N T252658 and after
5-28	3610099020	FITTING,METAL	1	S/N T252658 and after



THROTTLE LEVER, HANDLE, DRIVE SHAFT • FIGURE 6

ITEM	PART NUMBER	DESCRIPTION	QTY	COMMENTS
6-1	34337300200	SHAFT,DRIVE	1	
6-2	3413737880	PIPE,DRIVE SHAFT	1	
6-3	34737356900	BUSHING,DRIVE SHAFT	5	
6-9	8853739480	WIRE,THROTTLE	1	
6-10	99311050212	SCREW,TAPPING 5x21	1	
6-11	36832350200	WASHER,BRAKE SHAFT	1	
6-16	5033738E20	GRIP,HANDLE	1	
6-17	99023060351	BOLT,6X35 PLUS	2	
6-18	5003738E20	HANDLE,FRONT	1	
6-19-1	50633560200	BRACKET,HANDLE,BLACK	1	After S/N V243831
6-19	5203339820	BARRIER BAR, 26MM	1	S/N S251311 and after
6-22	99101060041	NUT,6	2	
6-25	87037003900	ASSY,THROTTLE LEVER	1	Before S/N S251310
6-25	8703738F90	ASSY,THROTTLE LEVER	1	S/N S251311 and after
6-26	1623710120	SWITCH,STOP	1	
6-27	99342030081	SCREW, TAPPING, 3X8	3	
6-28	25937101200	BASE,STOP SWITCH	1	
6-29	26237101200	SPRING,STOP SWITCH	1	
6-30	17737101200	TERMINAL,EARTH B	1	
6-31	17637101200	TERMINAL,EARTH A	1	
6-32-1	99186050000	NUT,LOCK,5	1	Before S/N S251310
6-32	3153334020	NUT,SPECIAL 5MM	2	S/N S251311 and after
6-33	99355060001	RING,STOP,6	1	
6-34	83237101200	SPRING,RETURN	1	
6-35	88037101200	LEVER,THROTTLE	1	
6-36-1	99431050251	SCREW,S.,5X25	1	Before S/N S251310
6-36	99431050201	SCREW,5X20	2	S/N S251311 and after
6-37	85337101200	SHAFT,LOCK BUTTON	1	
6-38	95837101200	SPRING,LOCK,BUTTON	1	
6-39	95637101200	BUTTON,LOCK	1	
6-40	2603334020	BODY,STOP BUTTON,B	1	S/N S251311 and after
6-41	1783739480	CORD,STOP 430mm	2	
6-47	1641001900	TUBE,PROTECTION	1	
6-49	50437003200	GRIP,SHAFT	1	
6-51	99101050041	NUT,5	1	
6-53	33533682200	METAL,LIFTING	1	
6-54	99461050164	BOLT,HEX,5X16,S	1	
6-56	746291	SHOULDER STRAP	1	

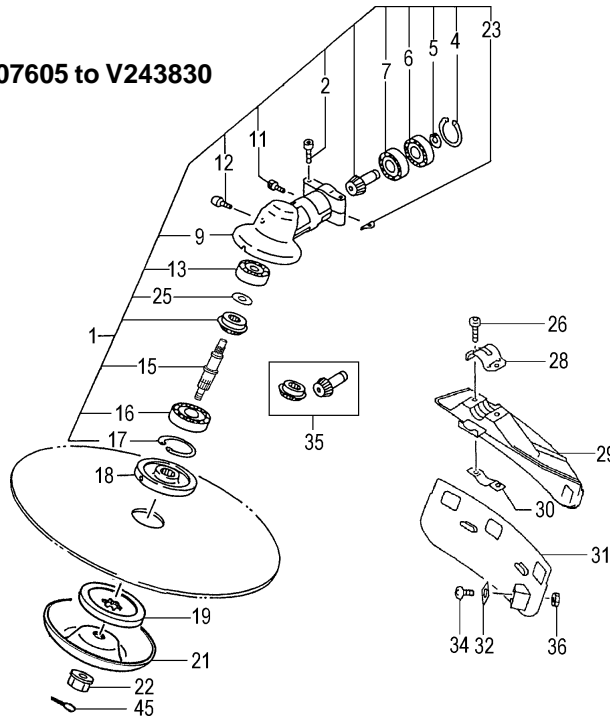


GEAR CASE, SAFETY GUARD • FIGURE 7A

ITEM	PART NUMBER	DESCRIPTION	QTY	COMMENTS	
7-1	3003713490	CASE, GEAR ASSY	1	Units prior to S/N U207605	
7-2	99461050254	BOLT, HEX HOLE, 5X25S	2		
7-4	99351024002	RING, STOP, C-28, IN	1		
7-5	99350009002	RING, STOP, C9	1		
7-6	99961609002	BEARING, BALL, #609Z	1		
7-7	99961609000	BEARING, BALL, #609	1		
7-9	3003330B20	CASE, GEAR	1		
7-11	99051050103	BOLT, HEX. HOLE, 5X10	1		
7-12	99423080100	BOLT, 8X10	1		
7-13	99961628000	BEARING, BALL, #628	1		
7-15	3043738020	SHAFT, GEAR	1		
7-16	99961620103	BEARING, BALL #6201D	1		
7-17	99351032002	RING, STOP, C-32 IN	1		
7-18	3103810020	HOLDER, CUTTER	1		
7-19	31137300203	CAP, CUTTER HOLDER	1		
7-22	3123338620	BOLT, FIXING, L.H., FLANGED	1		
7-23	3243735020	WASHER, GEAR CASE	1		
7-26	99053060153	SCREW, HEX HOLE 6X25	2		Units prior to S/N S251311
7-26	99481060254	SCREW	2		Units after S/N S251311
7-27	99210060062	WASHER, S, 6	2	Units prior to S/N S251311	
7-28	4423732520	BRACKET, SAFETY GUARD	2	Units prior to S/N S251311	
7-28	4423369921	BRACKET, SAFETY GUARD	1	Units after S/N S251311	
7-29	44133905800	GUARD, SAFETY	1	Units prior to S/N S251311	
7-29	4413738020	GUARD, SAFETY	1	Units after S/N S251311	
7-30	4453738020	GUARD, SAFETY	1	Units after S/N S251311	
7-31	4473738020	EXTENSION, GUARD	1	Units after S/N S251311	
7-32	7973738021	LIMITER, LINE	1	Units after S/N S251311	
7-33	31633410200	PROTECTOR, BOLT	1		
7-34	99414050121	SCREW	1	Units after S/N S251311	
7-35	3013339500	SET, GEAR/PINION	1		
7-36	99101050011	NUT	1	Units after S/N S251311	

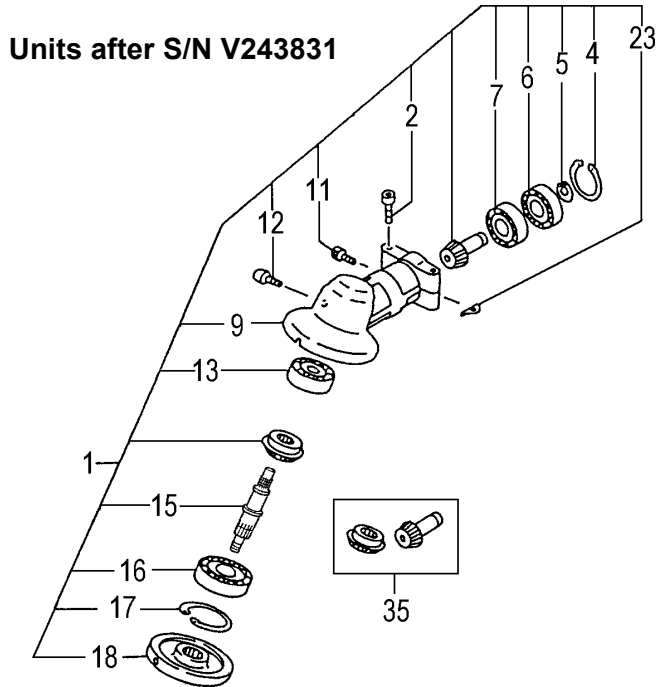
GEAR CASE, SAFETY GUARD • FIGURE 7B

From S/N U207605 to V243830

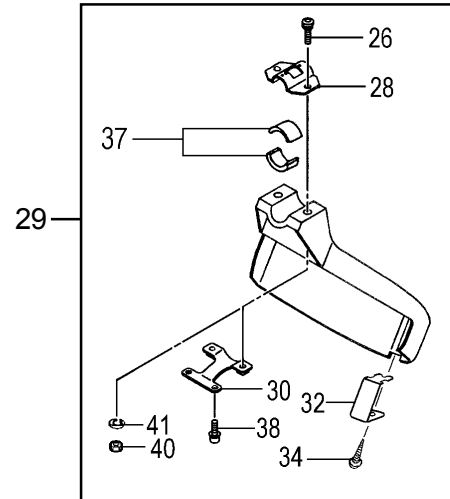


ITEM	PART NUMBER	DESCRIPTION	QTY	COMMENTS
7-1	3003758790	GEAR CASE ASS'Y, 26MM	1	From S/N U207605 to V243830
7-2	99461050254	BOLT, HEX HOLE, 5X25S	2	
7-4	99351024002	RING, STOP, C-28, IN	1	
7-5	99350009002	RING, STOP, C9	1	
7-6	99961609002	BEARING, BALL, #609Z	1	
7-7	99961609000	BEARING, BALL, #609	1	
7-9	3003330B20	CASE, GEAR	1	
7-11	99051050103	BOLT, HEX. HOLE, 5X10	1	
7-12	99423080100	BOLT, 8X10	1	
7-13	99961628000	BEARING, BALL, #628	1	
7-15	3043810020	SHAFT, GEAR	1	
7-16	99961620103	BEARING, BALL #6201D	1	
7-17	99351032002	RING, STOP, C-32 IN	1	
7-18	3103810020	HOLDER, CUTTER	1	
7-19	3113810020	CAP, CUTTER HOLDER	1	
7-21	3083786120	COVER, BOLT PROTECTOR	1	
7-22	3133810020	NUT, FIXING L.H. 10X1.25	1	
7-23	3243735020	WASHER, GEAR CASE	1	
7-25	0673713420	WASHER, SPECIAL	1	
7-26	99481060254	SCREW, HEX HOLE 6X25	2	
7-28	4423369921	BRACKET, SAFETY GUARD	1	
7-29	4413738020	GUARD, SAFETY	1	
7-30	4453738020	HOLDER, GUARD	1	
7-31	4473738020	EXTENSION, GUARD	1	
7-32	7973738021	LIMITER, LINE	1	
7-34	99414050121	SCREW, S, 5X12	1	
7-35	3013713400	SET, GEAR PINION	1	
7-36	99101050011	NUT, 5	1	
7-45	99290200205	PIN, COTTER 2X20 (10 PK)	1	

GEAR CASE, SAFETY GUARD • FIGURE 7C

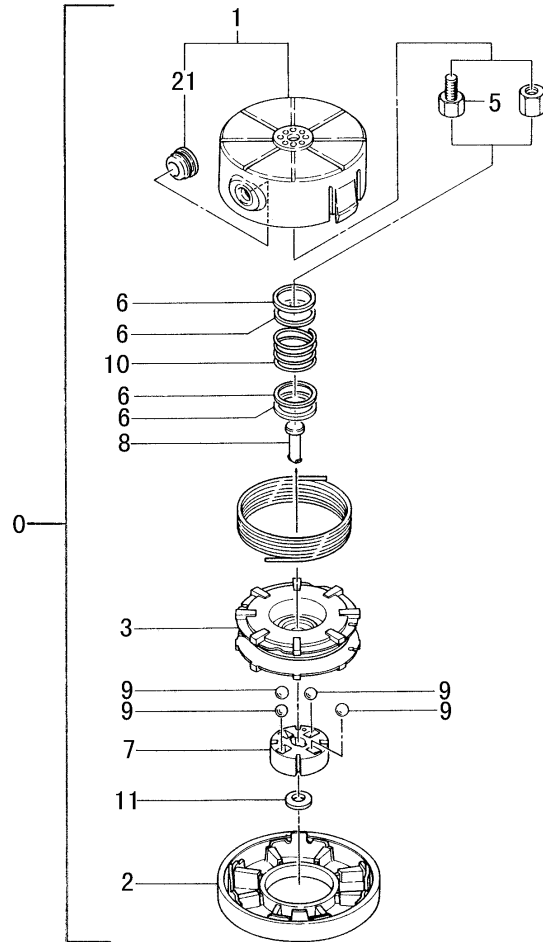


441-37587-00 Guard Kit

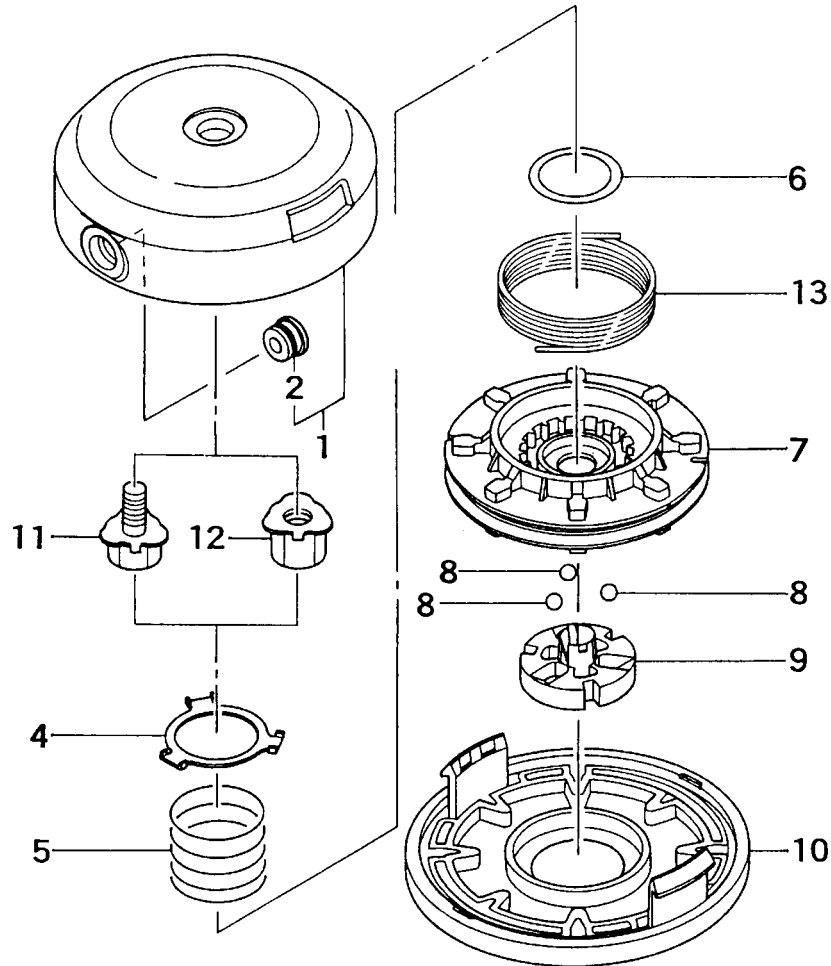


This guard kit is designed to fit all trimmers with 24 or 26 mm pipes. This guard is **NOT** approved for use with any metal blade.

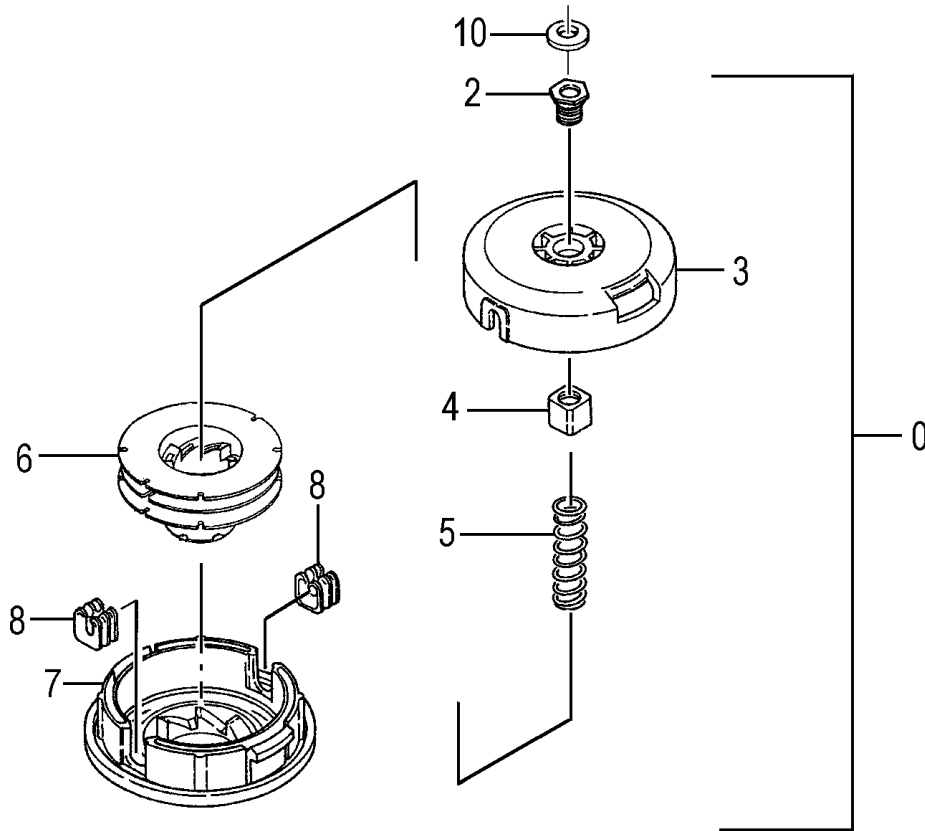
ITEM	PART NUMBER	DESCRIPTION	QTY	COMMENTS
7-1	3003738F90	GEAR CASE ASS'Y,26MM	1	Units after S/N V243831
7-2	99461050254	BOLT,HEX HOLE,5X25S	2	
7-4	99351024002	RING,STOP,C-28,IN	1	
7-5	99350009002	RING,STOP,C9	1	
7-6	99961609002	BEARING,BALL,#609Z	1	
7-7	99961609000	BEARING,BALL,#609	1	
7-9	3003330B20	CASE,GEAR	1	
7-11	99051050103	BOLT,HEX.HOLE,5X10	1	
7-12	99423080100	BOLT,8X10	1	
7-13	99961628000	BEARING,BALL,#628	1	
7-15	3043810020	SHAFT,GEAR	1	
7-16	99961620103	BEARING,BALL #6201D	1	
7-17	99351032002	RING,STOP,C-32 IN	1	
7-18	3103815020	HOLDER,CUTTER	1	
7-19	3113815020	CAP,CUTTER HOLDER	1	
7-21	30838150200	COVER,BOLT PROTECTOR	1	
7-22	3133815020	NUT,FIXING L.H. 10X1.25	1	
7-23	3243735020	WASHER,GEAR CASE	1	
7-26	99481060254	SCREW,HEX HOLE 6X25	2	
7-28	4423732520	BRACKET,SAFETY GUARD	1	
7-29	4413758700	GUARD KIT	1	
7-30	4453815020	HOLDER,GUARD	1	
7-32	7973815020	LIMITER,LINE	1	
7-34	99317050002	SCREW	1	
7-35	3013815000	SET,GEAR PINION	1	Not included in guard kit shown above Included but not required for male gear case units
7-37	44437609200	SPACER,BRACKET	2	
7-38	99461050124	SCREW	2	
7-40	99101060011	NUT,6	2	
7-41	99201060011	WASHER,6	2	



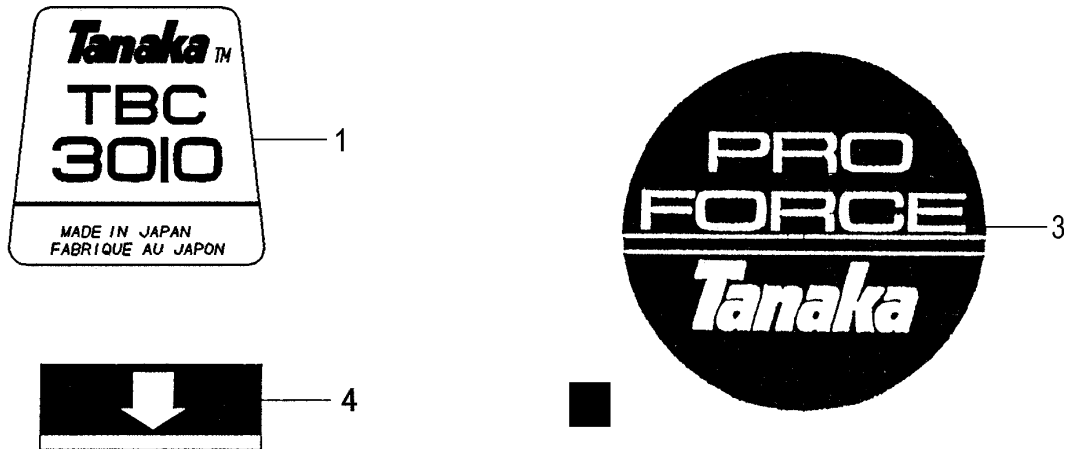
ITEM	PART NUMBER	DESCRIPTION	QTY	COMMENTS
0	746251	HEAD,BRAIN (TH-95)	1	Prior to S/N S251310
1	78633004900	BODY,CUTTING,ASS'Y	1	
2	7893300421	CAP,BODY	1	
3	78733004202	REEL,(R S M X)	1	
5	3143367020	BOLT,8X1.25 LH	1	
6	79233004200	WASHER,REEL	4	
7	79033004200	SLIDER,REEL	1	
8	79133004200	HOOK,REEL SLIDER	1	
9	6733560020	BALL,STEEL	4	
10	7933391020	SPRING,REEL,SILVER	1	
11	35802103200	WASHER,CLUTCH A	1	
21	7883307120	EYELET	2	



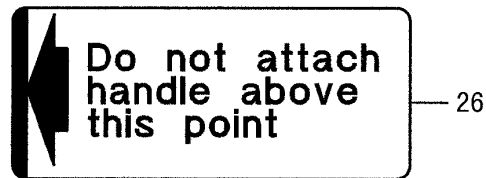
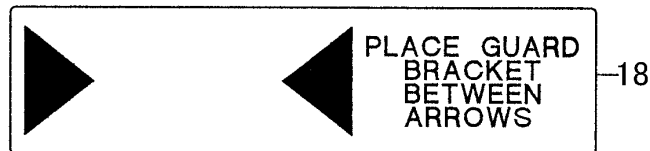
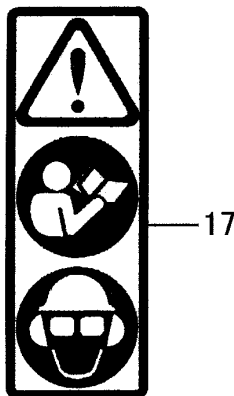
ITEM	PART NUMBER	DESCRIPTION	QTY	COMMENTS
	746751	HEAD,BRAIN (TH-97)	1	From S/N S251310 through S/N V243831
1	7863381091	CUTTING BODY ASS'Y	1	
2	7883307120	EYELET	1	
3	7603381020	WASHER,MOUNTING	1	
4	7853381020	BASE,ADJUSTMENT	1	
5	7933381022	SPRING,REEL,YELLOW	1	
6	7923381020	WASHER,ADJUSTMENT	1	
7	7873381020	REEL	1	
8	6733560020	BALL,STEEL	3	
9	7903381020	SLIDER,REEL	1	
10	7893381020	CAP,BODY	1	
11	3143381280	MOUNTING BOLT	1	For female gear case
12	3153381080	MOUNTING NUT	1	For male gear case (2000 production)



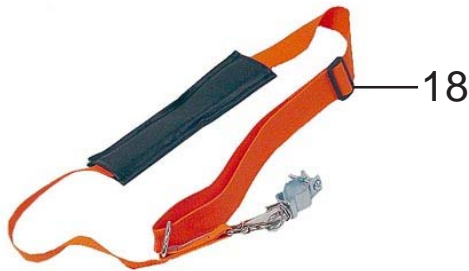
ITEM	PART NUMBER	DESCRIPTION	QTY	COMMENTS
0	746451	HEAD, SEMI-AUTO 5"	1	After serial number V243831
2	3563383B20	ADAPTER, 10X1.25 LHF	1	
3	78633830200	BODY, CUTTING	1	
4	31533830200	NUT, SPECIAL	1	
5	79333830200	SPRING	1	
6	78733830200	REEL	1	
7	78933830200	CAP, BODY	1	
8	78833830200	EYELET	2	
10	99201120011	WASHER, 12	1	After serial number V243831



⚠ WARNING! •Read the Operator's Manual and follow all warnings and safety instructions. Failure to do so can result in serious injury to the operator and/or bystanders. •Objects may be thrown or ricochet in all directions. •ALWAYS WEAR EYE PROTECTION. •Keep bystanders at least 50 feet (15 m) away. •To reduce the chance of hearing loss, always wear ear protection. •To reduce the risk of injury from loss of control, never use a metal blade on a curved shaft grass trimmer. •Never use a metal blade on any brushcutter without barner bar or bicycle handle configuration and safety strap. •Use of a blade may cause a sudden sideways, forward or backward motion of the brushcutter when the blade contacts a solid object. See Owner's manual for model specific details.

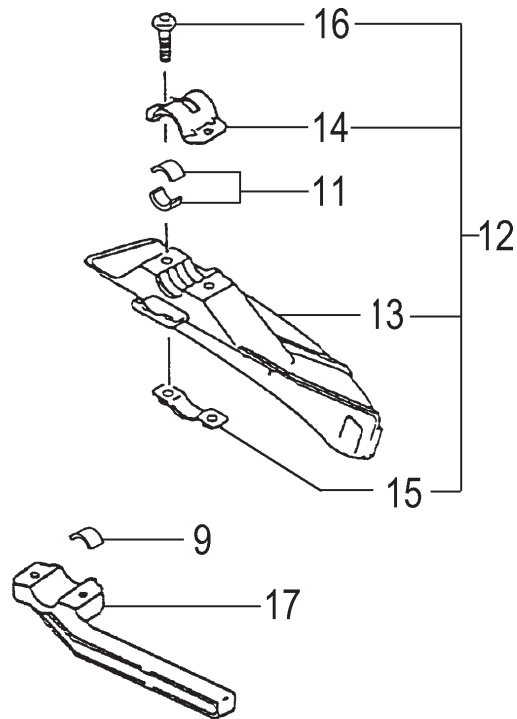
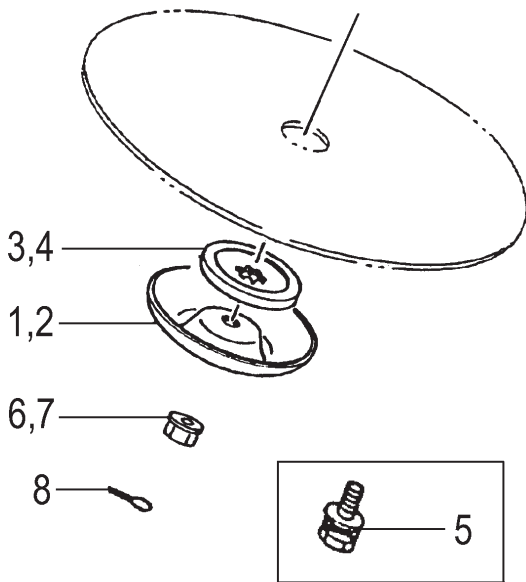


ITEM	PART NUMBER	DESCRIPTION	QTY	COMMENTS
9-1	9063738F20	DECAL,TBC-3010	1	
9-3	95037900200	DECAL,PRO-FORCE A	1	
9-4	9233370020	DECAL,LEVEL	1	
9-5	95137503200	DECAL,PRO-FORCE B	1	
9-16	9193738F20	DECAL,CAUTION,A	1	
9-17	9203246620	DECAL,CAUTION	1	Before S/N S251310
9-18	9233728620	DECAL,LEVEL	1	
9-26	9233738F20	DECAL,LEVEL	1	S/N S251311 and after



Single Shoulder Strap
Model#: 746191

WARNING! Read the owners manual and follow all warnings and safety instructions. Failure to do so can result in serious injury to the operator and/or bystanders. Never attempt to mount a steel blade to a machine that is not specifically designed for that purpose. Never attempt to mount a steel blade without using all components of the blade attachment kit, including shoulder strap and barrier safety bar.



ITEM	PART NUMBER	DESCRIPTION	QTY	COMMENTS
1	30833410200	COVER,PROTECTION,B,8mm	1	Kit used on TBC-2211, 250PF, 2501
2	3083786120	COVER,BOLT PROTECTOR,10mm	1	TBC-270PF, 340, 340PF, 2510, 3010
3	3113754720	CAP,CUTTER HOLDER,8mm	1	
4	3113815020	CAP,CUTTER HOLDER,10mm	1	
5	3123338620	BOLT, FIXING,L.H.,FLANGED	1	
6	3133754720	NUT, FIXING L.H. 8X1.25	1	
7	3133833220	NUT, FIXING L.H.,10X1.25	1	
8	3273718090	PIN,COTTER 2X20 (10 PACK)	1	
9	44437609200	SPACER,BRACKET	1	for use with barrier bar, 24mm shafts
11	44437609200	SPACER,BRACKET	2	
12	30060	KIT,BLADE GUARD	1	
17	5203339820	BAR,BARRIER 26mm	1	
18	746191	STRAP,SHOULDER,PSS-175	1	