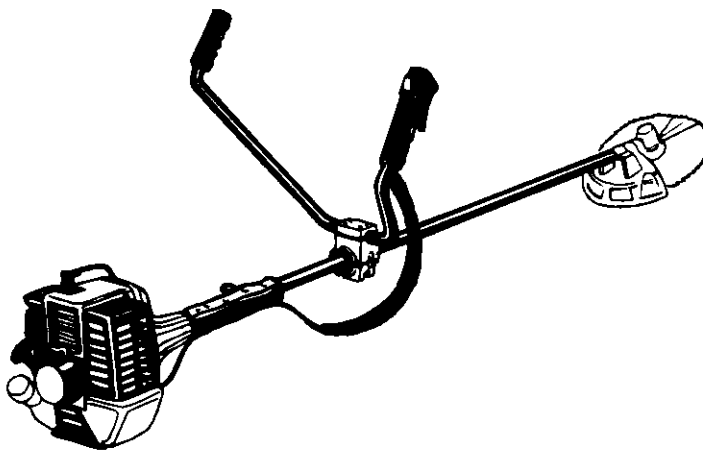


Tanaka

Parts Catalog



Brush Cutter

Model: TBC-373

TBC-373

OPTIONS AND ACCESSORIES

NYLON LINE



- 746157 .105, Box, 50 ft.
- 746161 .105, 1/2 lb. Box, 110 ft
- 746162 .130, 1/2 lb. Box, 75ft.
- 746166 .105, 1 lb. Box, 235 ft.
- 746167 .130, 1 lb. Box, 150 ft.
- 746170 .105, 3 lb. spool, 705 ft.
- 746171 .130, 3 lb. spool, 450 ft.
- 746174 .105, 5 lb. spool, 1175 ft.
- 746175 .130, 5 lb. spool, 750 ft.

SEMI-AUTO HEAD



- 746153 PNH-180
- 746253 PNH-181

ET-1201	Body	27325
ET-1206	Cap	27324
ET-1225	Adapter	27318
ET-1205	Spool	27323
ET-1207	Eyelet	
ET-1208	Spring	27319
ET-1209	Bump Disk	

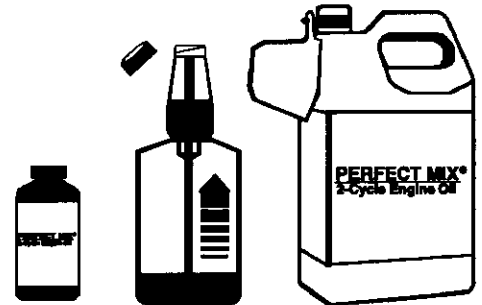
ALUMINUM MANUAL HEAD



PCH-100
(746180)

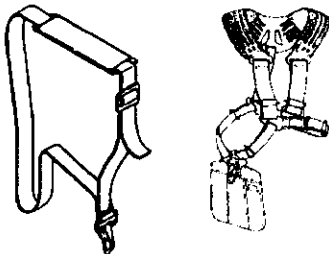
PCH-300
(746190)

PERFECT MIX® 2-Cycle Engine Oil



- 700109 2.8 oz. Bottle, 1 Gallon Size (24*)
 - 700108 16 oz. Self-measuring Bottle (24*)
 - 700110 1 Gallon Jug Commercial Size (6*)
- * Case Quantity

SHOULDER STRAPS



PSS-175

SS-400

BLADES



- 746105 Weed Blade, 10"X4T
- 746106 Weed Blade, 10"X8T
- 746108 Saw Blade, 10"X80T
- 746192 Carbide Blade, 9"X36T

MANUALS / CATALOGS

- 19486 Owner's Manual
- 10928 Parts Catalog

SPECIAL TOOLS

- | | | | |
|---------------|--------------------|---------------|-----------------|
| 006-29326-000 | Flywheel Remover | 001-29000-000 | Tachometer |
| 009-29326-000 | Piston Pin Remover | 070-2000W-500 | Pressure Tester |
| 015-29338-000 | Gear Shaft Remover | 070-2000W-501 | Carb. Tool Kit |
| 016-29371-000 | Pinion Remover | | |



FIG.1 ENGINE

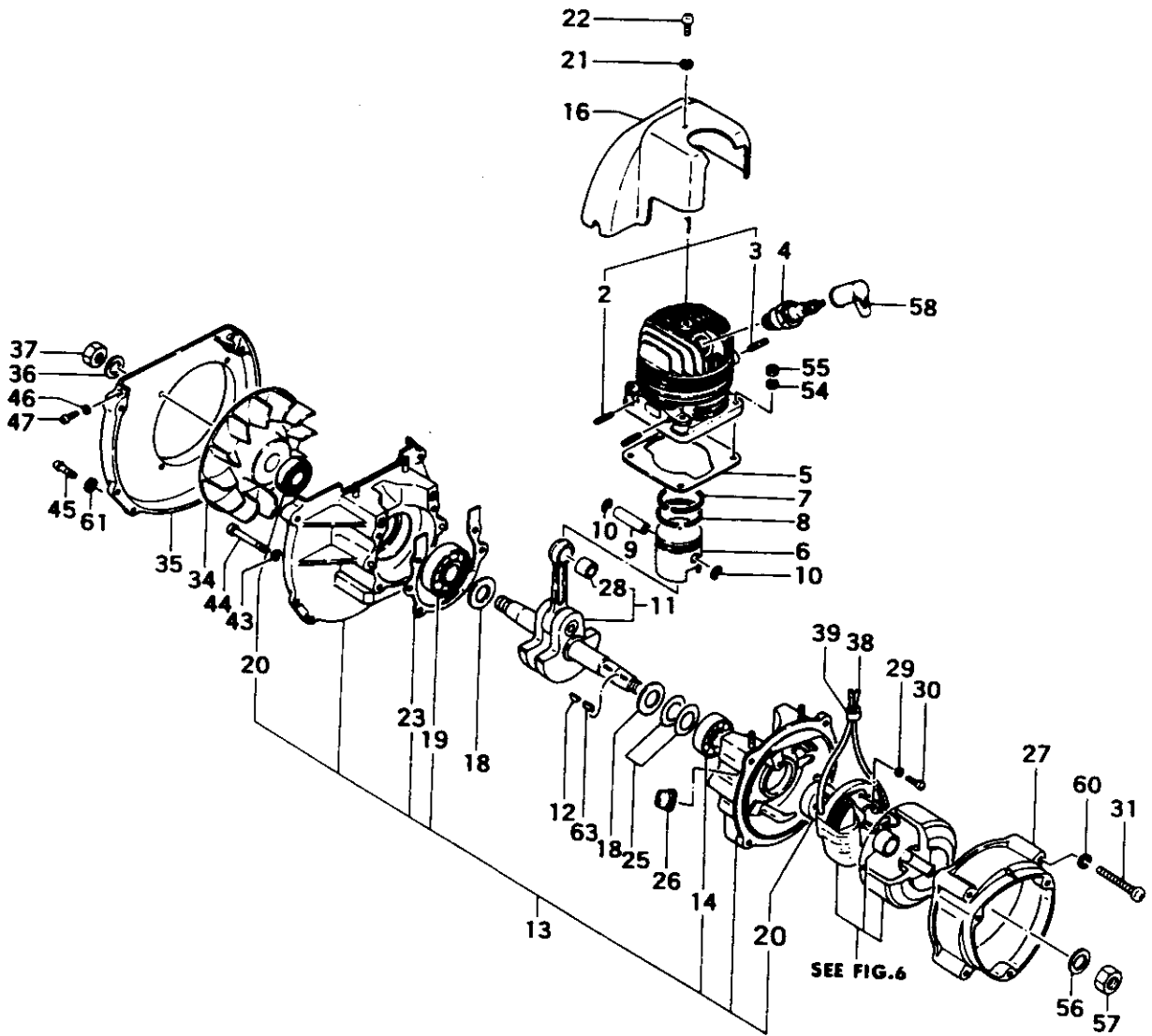


FIGURE 1

TBC-373 PARTS LISTING

REF.	PART NO.	PART DESCRIPTION	Q	C	S	SERIAL NO.	REMARKS
1	002-04007-803	CYLINDER	1		D		
2	100-12000-200	STUD,6X26	2		D		
3	100-02100-200	BOLT,STUD,6X22	2		C		
4	018-01805-200	PLUG,SPARK	1		B		
5	017-04001-200	GASKET,CYLINDER	1		B		
6	031-04000-200	PISTON	1		D		
7	040-04007-200	RING,PISTON	1		D		
8	041-04000-200	RING,PISTON	1		B		
9	037-04000-200	PIN,PISTON	1		D		
10	039-01000-200	CIRCLIP,PISTON PIN	2		D		
11	046-04000-812	CRANKSHAFT	1		D		
12	068-02000-200	KEY,WOODRUFF,3X13X5	1		D		
13	072-04001-900	CRANKCASE,ASS'Y	1		D		Includes bearings, seals & gasket
14	999-61620-200	BEARING,BALL,#6202	1		B		
16	016-04007-202	SHROUD,CYLINDER	1		D		
18	070-02401-201	WASHER,CRANKSHAFT 15X22	2		D		
19	999-61630-200	BEARING,BALL,#6302	1		D		
20	999-66153-000	SEAL,OIL,#15307	2		B		
21	992-01060-011	WASHER,6	1		A		
22	990-11060-081	SCREW,6X8	1		D		
23	090-04000-200	GASKET,CRANKCASE	1		D		
25	071-02007-200	SHIM,15.2X20X.05	V		D		Shims are "as needed" to obtain correct c/s side clearance.
25	071-02007-210	SHIM,15.2X20X.10	V		D		
25	071-02007-220	SHIM,15.2X20X.15	V		D		
25	071-11600-230	SHIM,16X21X.20	V		D		
25	071-11600-240	SHIM,16X21X.30	V		D		
26	202-04030-200	GROMMET,SECONDARY CORD	1		D		
27	806-04007-200	BASE,STARTER	1		D		
28	999-62101-004	BEARING,NEEDLE,F1010B	1		B		
29	992-01040-011	WASHER,4	2		C		
30	990-11040-121	SCREW,4X12	2		B		
31	990-11050-451	SCREW,5X45	4		C		
34	113-02000-803	FAN	1		D		
35	112-04001-201	CASE,FAN	1		D		
36	992-01100-011	WASHER,10	1		B		
37	991-01100-011	NUT,10	1		B		
38	178-04021-810	CORD,STOP	1		D		
38	173-01500-800	CORD,PRIMARY	1		D		
38	173-04024-810	CORD,PRIMARY	1		D		

* Indicates the part is included in a kit or assembly and is not available individually. Q=Quan. used
 C=Interchangeability S=Stocking code: A=Fast moving B=Med. fast C=Med. move D=Slow move
 E=N.L.A. F=Superseded or replaced by a new part

FIGURE 1 cont.

TBC-373 PARTS LISTING

REF.	PART NO.	PART DESCRIPTION	Q	C	S	SERIAL NO.	REMARKS
39	199-04021-200	PIPE,RUBBER	1		D		
43	992-10060-012	WASHER,S,6	4		A		
44	990-11060-351	SCREW,6X35	4		B		
45	990-11060-251	SCREW,6X25	4		C		
46	992-01050-011	WASHER,5	2		A		
47	990-11050-101	SCREW,5X10	2		B		
54	992-10060-012	WASHER,S,6	4		A		
55	991-01060-013	NUT,6	4		B		
56	992-01100-011	WASHER,10	1		B		
57	066-02300-201	NUT,FLYWHEEL	1		D		
58	157-01570-900	CAP,SPARK PLUG,ASS'Y	1		C		
60	992-10050-012	WASHER,S,5	4		A		
61	992-10060-012	WASHER,S,6	4		A		
63	069-04000-201	KEY,WOOD-RUFF,3X3X7	1		D		

* Indicates the part is included in a kit or assembly and is not available individually. Q=Quan. used
 C=Interchangeability S=Stocking code: A-Fast moving B=Med. fast C=Med. move D=Slow move
 E=N.L.A. F=Superseded or replaced by a new part

FIG.2 ENGINE COMPONENTS

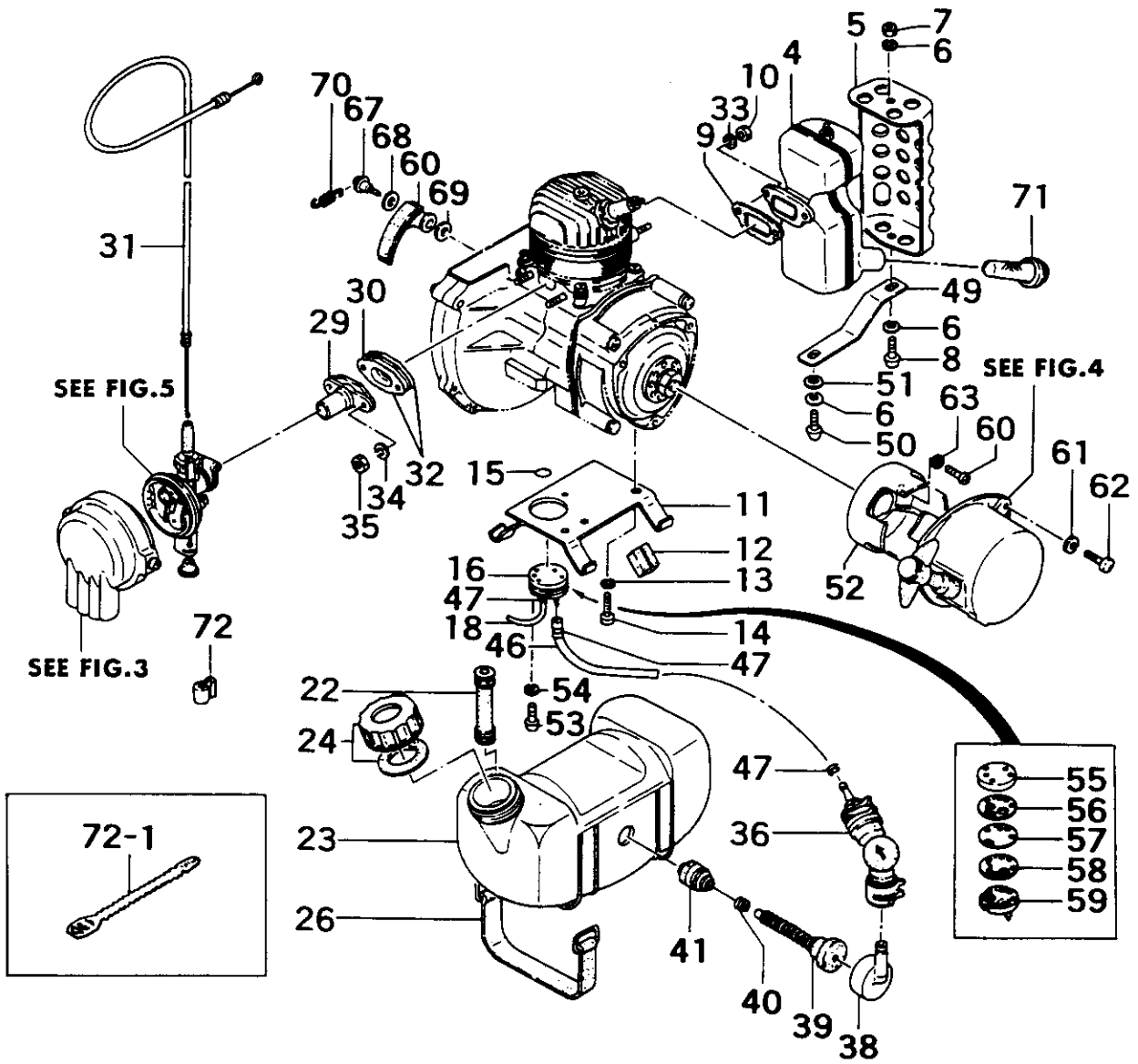


FIGURE 2

TBC-373 PARTS LISTING

REF.	PART NO.	PART DESCRIPTION	Q	C	S	SERIAL NO	REMARKS
4	706-04001-804	MUFFLER	1		D		
5	738-04001-205	PROTECTOR,MUFFLER	1		D		
6	992-10060-012	WASHER,S,6	3		A		
7	991-01060-011	NUT,6	1		A		
8	990-11060-121	SCREW,6X12	1		C		
9	737-04000-201	GASKET,MUFFLER	1		D		
10	991-01060-011	NUT,6	2		A		
11	653-04001-202	BRACKET,TANK HOLDING	1		D		
12	655-04001-200	CUSHION,TANK HOLDING METAL	4		C		
13	992-10060-012	WASHER,S,6	2		A		
14	990-11060-121	SCREW,6X12	2		C		
15	999-67004-000	O-RING,P4	1		C		
16	593-04001-910	PUMP,ASS'Y	1		D		
18	700-03005-160	PIPE,FUEL,3X5X160	1		C		
22	530-04001-201	PIPE,RETURN	1		D		
23	591-04021-200	TANK	1		D		
24	628-04021-900	CAP,TANK ASS'Y	1		D		
26	603-02101-803	BAND,TANK HOLDING	2		C		
29	393-04001-201	MANIFOLD,INLET	1		D		
30	404-04000-200	INSULATOR,CARBURETOR	1		D		
31	885-01553-820	WIRE,THROTTLE	1		C		
32	403-04000-200	GASKET,INLET MANIFOLD	2		D		
33	992-10060-012	WASHER,S,6	2		A		
34	992-10060-012	WASHER,S,6	2		A		
35	991-01060-013	NUT,6	2		B		
36	593-01550-900	PUMP,PRIMER ASS'Y	1		B		
38	500-33202-205	CAP,RUBBER PIPE	1		A		
39	678-00206-203	PIPE,RUBBER	1		C		
40	680-04019-210	CLIP,7	1		B		
41	675-0608A-900	FILTER,FUEL	1		A		
46	700-03005-055	PIPE,FUEL,3X5X55	1		D		
47	701-00702-200	STOPPER,FUEL PIPE	3		C		
49	733-32201-200	STAY,MUFFLER	1		D		
50	990-11060-141	SCREW,6X14	1		C		
51	992-01060-011	WASHER,6	1		A		
52	798-04000-200	PULLEY,STARTER	1		D		
53	990-11040-181	SCREW,4X18	3		D		
54	992-10040-012	WASHER,S,4	3		D		
55	668-01550-212	PUMP,DELIVERY SIDE	1		D		

* Indicates the part is included in a kit or assembly and is not available individually. Q=Quan. used
 C=Interchangeability S=Stocking code: A-Fast moving B=Med. fast C=Med. move D=Slow move
 E=N.L.A. F=Superseded or replaced by a new part

FIGURE 2 cont.

TBC-373 PARTS LISTING

REF.	PART NO.	PART DESCRIPTION	Q	C	S	SERIAL NO	REMARKS
56	671-04001-213	GASKET,PUMP	1		C		
57	670-04001-211	DIAPHRAGM,PUMP	1		C		
58	674-04001-211	VALVE,FREE	1		C		
59	667-00539-801	PUMP,SUCTION SIDE	1		D		
60	990-11060-141	SCREW,6X14	3		C		
61	992-10050-012	WASHER,S,5	3		A		
62	990-11050-161	SCREW,5X16	3		B		
63	992-10060-012	WASHER,S,6	3		A		
66	290-02110-802	SHOE,CLUTCH	3		B		
67	357-02110-202	BOLT,CLUTCH,STEP	3		C		
68	358-02103-200	WASHER,CLUTCH A	3		A		
69	359-02103-200	WASHER,CLUTCH,B	3		B		
70	342-04004-200	SPRING,CLUTCH	3		C		
71	732-04001-800	ARRESTER,SPARK	1		C		
72-1	903-32201-200	HOLDER,THROTTLE WIRE	2		D	~C154793	
72	778-36100-200	CLAMP,CORD	2		D	C154794~	

* Indicates the part is included in a kit or assembly and is not available individually. Q=Quan. used
 C=Interchangeability S=Stocking code: A=Fast moving B=Med. fast C=Med. move D=Slow move
 E=N.L.A. F=Superseded or replaced by a new part

FIG.3 AIR CLEANER

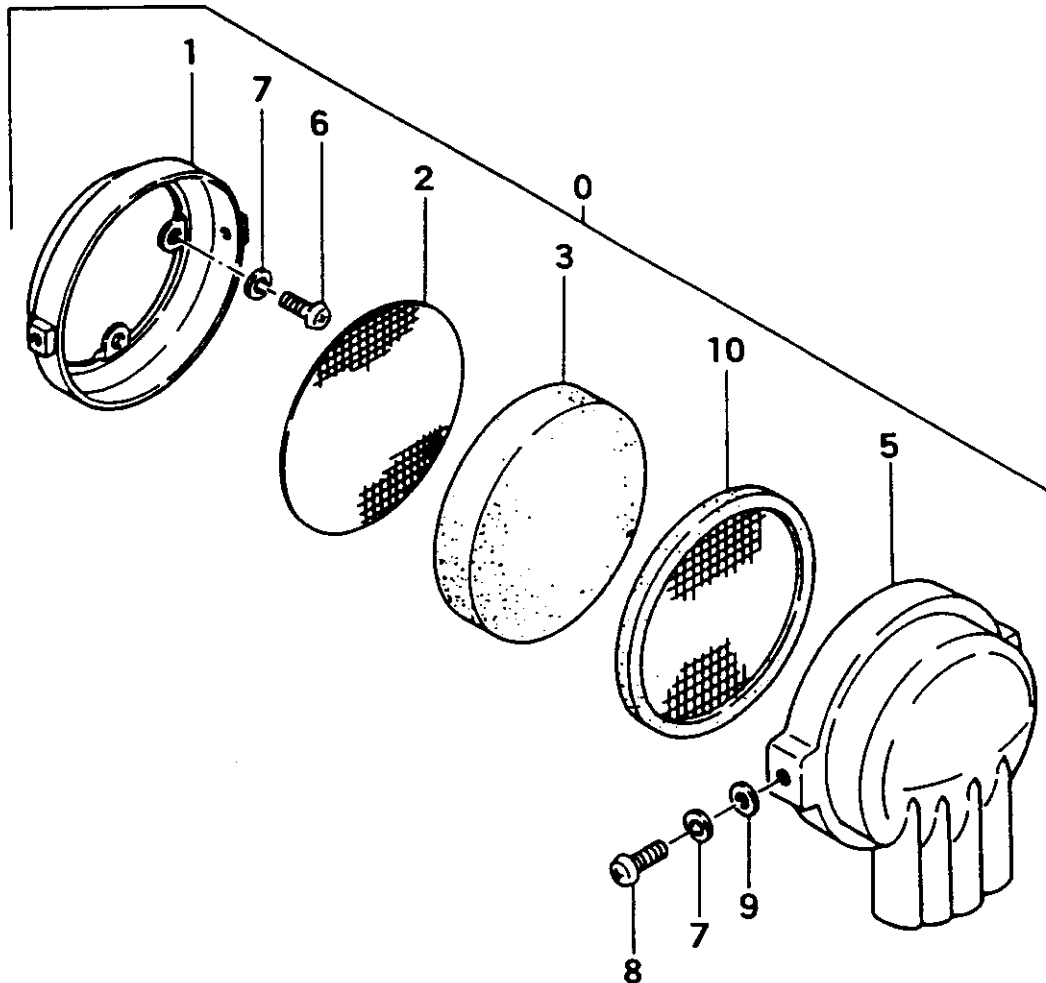


FIGURE 3

TBC-373 PARTS LISTING

REF.	PART NO.	PART DESCRIPTION	Q	C	S	SERIAL NO.	REMARKS
0	410-00731-900	CLEANER,AIR ASS'Y	1		C		
1	423-00700-800	BODY,AIR CLEANER	1		D		
2	426-00700-210	HOLDER,CLEANER	1		D		
3	446-00700-220	ELEMENT,CLEANER	1		C		
5	424-00731-201	COVER,AIR CLEANER	1		C		
6	990-11040-101	SCREW,4X10	2		A		
7	992-10040-012	WASHER,S,4	4		D		
8	990-11040-101	SCREW,4X10	2		A		
9	992-01040-011	WASHER,4	2		C		
10	425-00700-200	HOLDER,CLEANER,A	1		D		

FIG.4 RECOIL STARTER

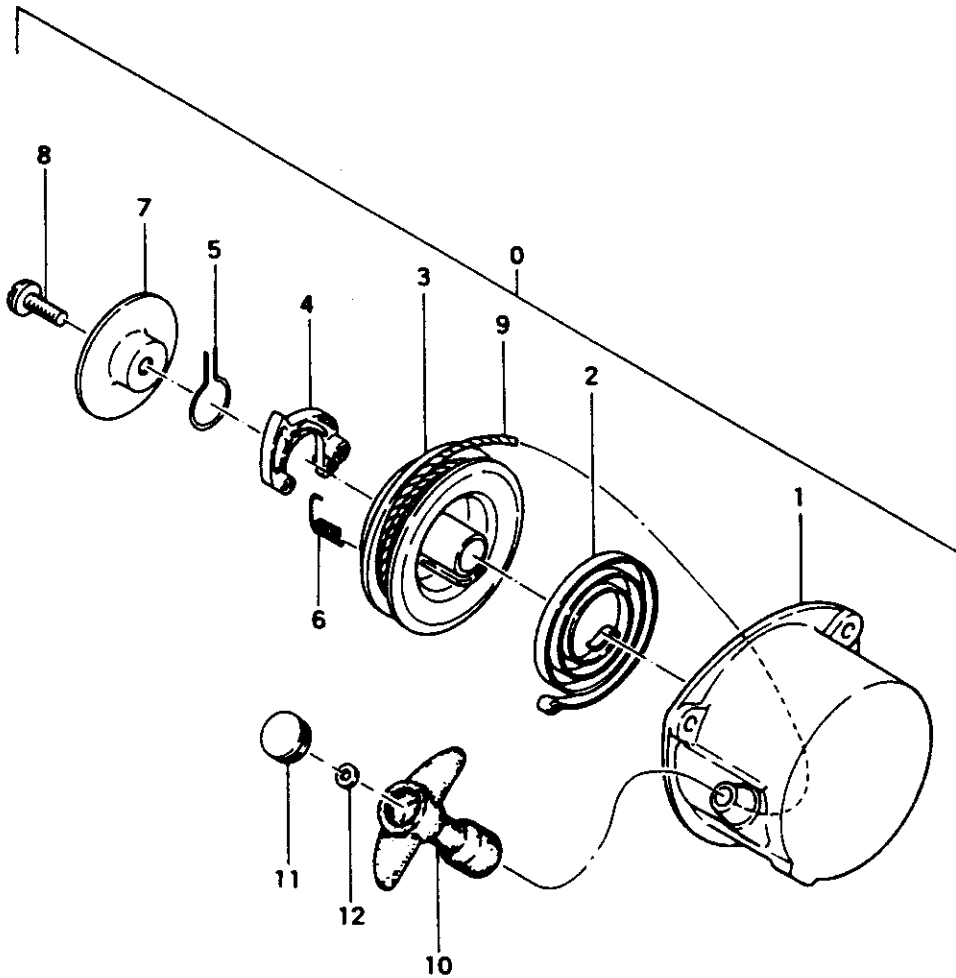


FIGURE 4

TBC-373 PARTS LISTING

REF.	PART NO.	PART DESCRIPTION	Q	C	S	SERIAL NO	REMARKS
0	762-03131-900	STARTER,RECOIL ASS'Y	1		D		
1	772-03131-200	BODY,RECOIL STARTER	1		D		
2	779-03131-200	SPRING,RECOIL	1		D		
3	769-03131-200	PULLEY,STARTER	1		D		
4	788-01250-200	PAWL,STARTER	1		D		
5	836-06092-200	SPRING,FRICION	1		D		
6	832-01250-200	SPRING,RETURN	1		D		
7	837-06092-200	PLATE,FRICION	1		D		
8	990-15050-121	SCREW,5X12	1		D		
9	783-03131-200	ROPE,STARTER	1		D		
10	785-10118-200	HANDLE,STARTER	1		C		
11	835-10246-200	CAP,STARTER HANDLE	1		C		
12	992-01040-011	WASHER,4	1		C		

FIG.5 CARBURETOR

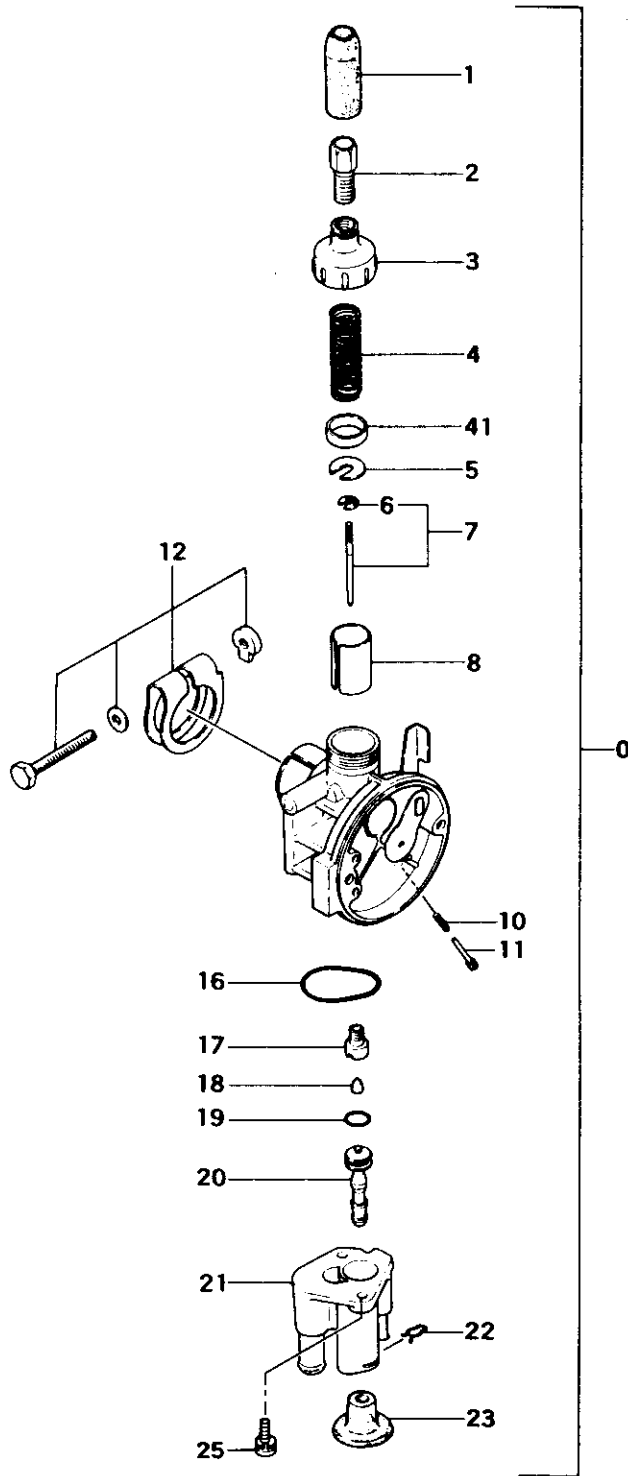


FIGURE 5**TBC-373 PARTS LISTING**

REF.	PART NO.	PART DESCRIPTION	Q	C	S	SERIAL NO	REMARKS
0	455-22000-910	CARBURETOR,ASS'Y	1		D		
1	560-22602-200	CAP,RUBBER	1		D		
2	597-22904-200	ADJUSTER,THROTTLE CABLE	1		D		
3	595-22602-200	CAP,BODY	1		D		
4	594-22000-200	SPRING,THROTTLE VALVE	1		D		
5	619-22912-200	RECEIVER,THROTTLE SPRING	1		D		
6	593-22000-200	CLIP,NEEDLE,JET	1		D		
7	592-22000-910	NEEDLE,JET,ASS'Y	1		D		
8	591-22005-200	VALVE,THROTTLE	1		D		
10	623-22000-200	SPRING,ADJUSTER SCREW	1		D		
11	622-22000-200	SCREW,ADJUSTER	1		D		
12	561-22602-900	CLAMP,CARB.	1		D		
16	607-22000-200	GASKET,FLOAT CHAMBER	1		C		
17	599-22000-260	JET,MAIN,K-60	1		D		
18	587-22000-200	CAP,CHECK VALVE	1		D		
19	999-67004-000	O-RING,P4	1		C		
20	586-22000-200	VALVE,CHECK	1		D		
21	580-22000-800	CHAMBER,FLOAT	1		D		
22	581-22000-200	CLIP,FLOAT CHAMBER	1		D		
23	560-22602-200	CAP,RUBBER	1		D		
25	994-34040-101	SCREW,PS,4X10	2		D		
41	510-04001-201	COLLAR	1		D		

* Indicates the part is included in a kit or assembly and is not available individually. Q=Quan. used
C=Interchangeability S=Stocking code: A=Fast moving B=Med. fast C=Med. move D=Slow move
E=N.L.A. F=Superceded or replaced by a new part

FIG.6 MAGNETO

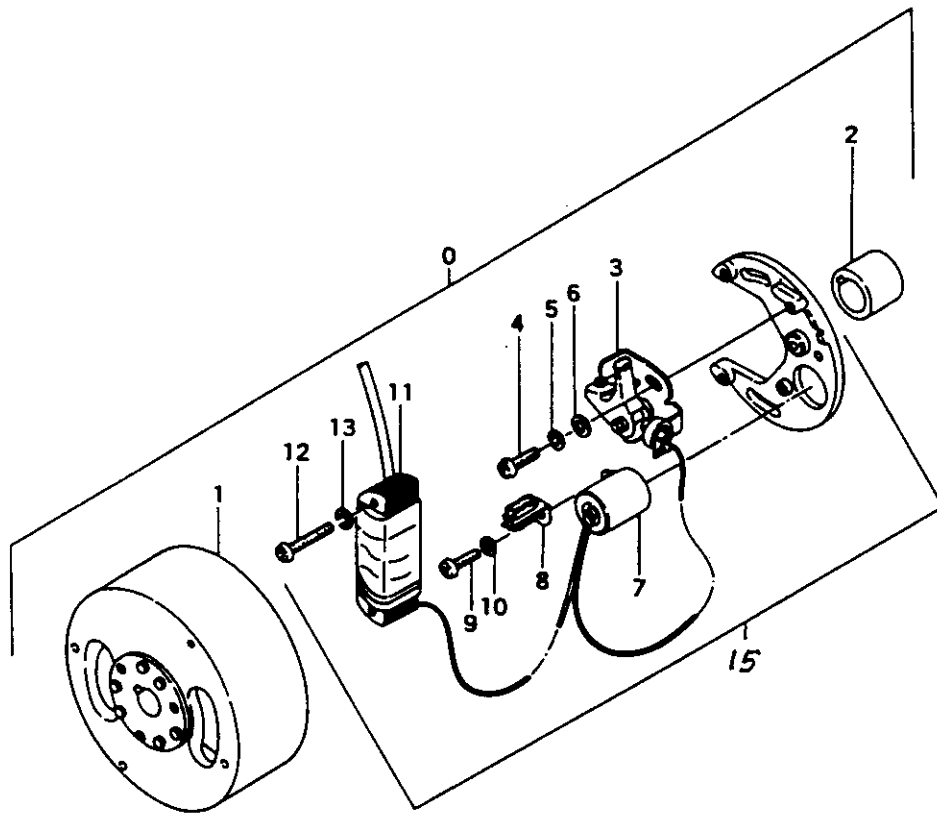


FIGURE 6

TBC-373 PARTS LISTING

REF.	PART NO.	PART DESCRIPTION	Q	C	S	SERIAL NO	REMARKS
0	150-20102-900	MAGNETO,ASS'Y	1		D		
1	155-20001-800	ROTOR,MAGNETO	1		D		
2	246-20102-200	CAM,MAGNETO	1		D		
3	160-20001-900	BREAKER,CONTACT B	1		C		
4	990-11040-101	SCREW,4X10	1		A		
5	992-10040-012	WASHER,S,4	1		D		
6	992-01040-011	WASHER,4	1		C		
7	177-20001-800	CONDENSER	1		C		
8	185-20001-800	FELT,LUBE	1		D		
9	990-11040-101	SCREW,4X10	1		A		
10	992-01040-011	WASHER,4	1		C		
11	167-20001-800	COIL,IGNITION	1		D	-A283774	
11	167-20102-800	COIL,IGNITION	1		D	A283775-	
12	990-11040-281	SCREW,4X28	2		D		
13	992-10040-012	WASHER,S,4	2		D		
15	156-20102-900	STATOR,MAGNETO ASS'Y	1		D		

FIG.7 CLUTCH CASE

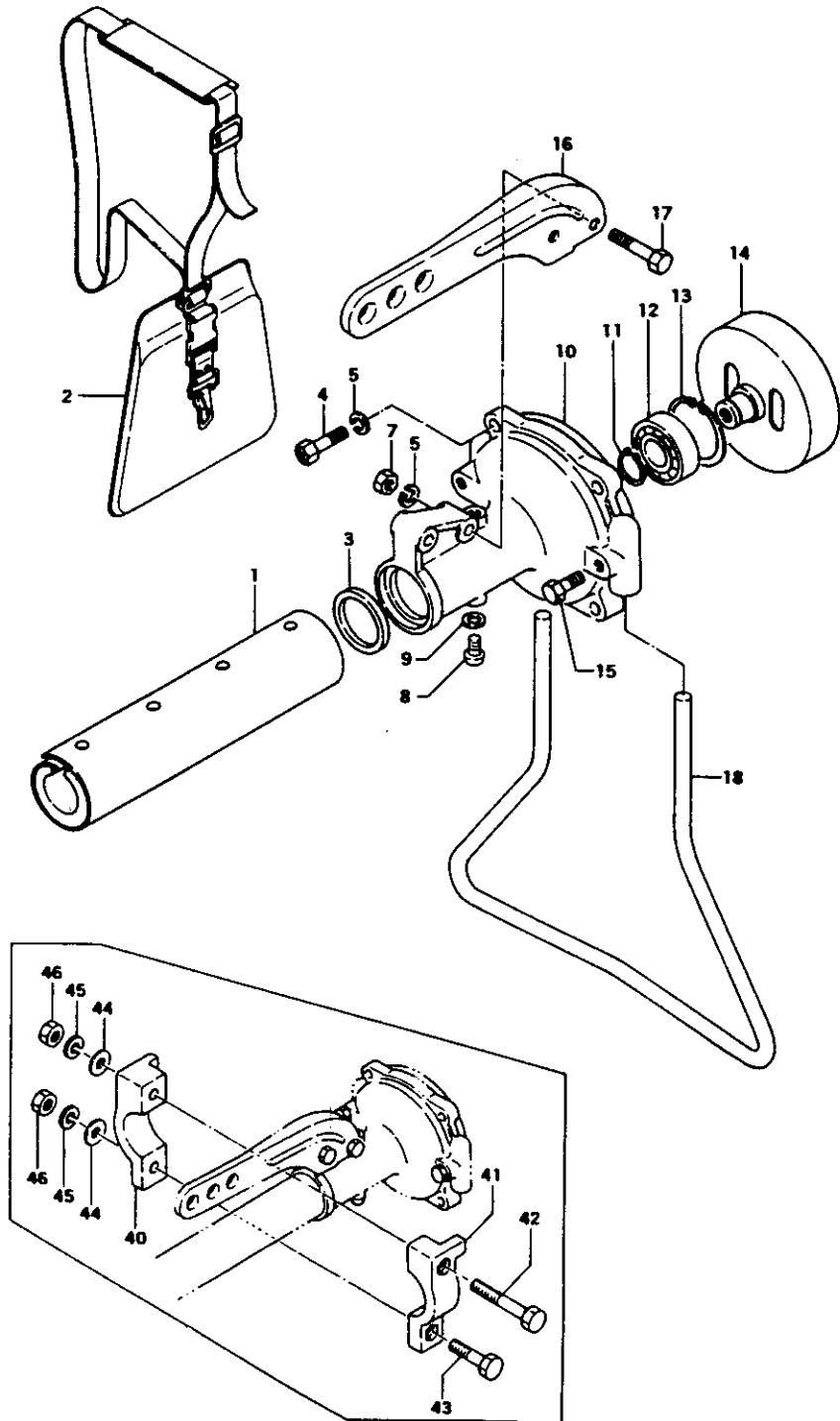


FIGURE 7

TBC-373 PARTS LISTING

REF.	PART NO.	PART DESCRIPTION	Q	C	S	SERIAL NO	REMARKS
1	336-33411-811	PAD,CUSHION	1		D		Also can use SS-400 STRAP
2	SS-250	STRAP,SHOULDER	1		C		
3	999-66283-560	SEAL,OIL	1		D		
4	990-23060-221	BOLT,PLUS,6X22	4		C		
5	992-10060-012	WASHER,S,6	6		A		
7	991-01060-011	NUT,6	2		A		
8	990-11060-101	SCREW,6X10	1		D		
9	317-33411-201	GASKET,OIL	1		D		
10	331-33411-205	HOUSING,CLUTCH	1		D	~A283374	
10	331-33411-210	HOUSING,CLUTCH	1		D	A283375~	
11	993-50015-002	RING,STOP,C-15 EX	1		C		
12	999-61620-201	BEARING,BALL,#6202ZZ	1		C		
13	993-51032-002	RING,STOP,C-32 IN	1		C		
14	332-33411-804	DRUM,CLUTCH	1		D		
15	990-21060-151	BOLT,6X15	2		C		
16	335-33411-220	METAL,LIFTING	1		D		
17	990-21060-301	BOLT,6X30	2		D		
18	741-33411-200	STAND	1		D	~A283774	
18	741-33576-200	STAND	1		D	A283775~	
40	380-33577-201	HOLDER,CLUTCH CASE A	1		D		
41	381-33577-201	HOLDER,CLUTCH CASE B	1		D		
42	990-21060-401	BOLT,6X40	1		D		
43	990-21060-251	BOLT,6X25	1		D		
44	992-01060-011	WASHER,6	2		A		
45	992-10060-012	WASHER,S,6	2		A		
46	991-01060-011	NUT,6	2		A		

* Indicates the part is included in a kit or assembly and is not available individually. Q=Quan. used
 C=Interchangeability S=Stocking code: A=Fast moving B=Med. fast C=Med. move D=Slow move
 E=N.L.A. F=Superseded or replaced by a new part

FIG.8 HANDLE

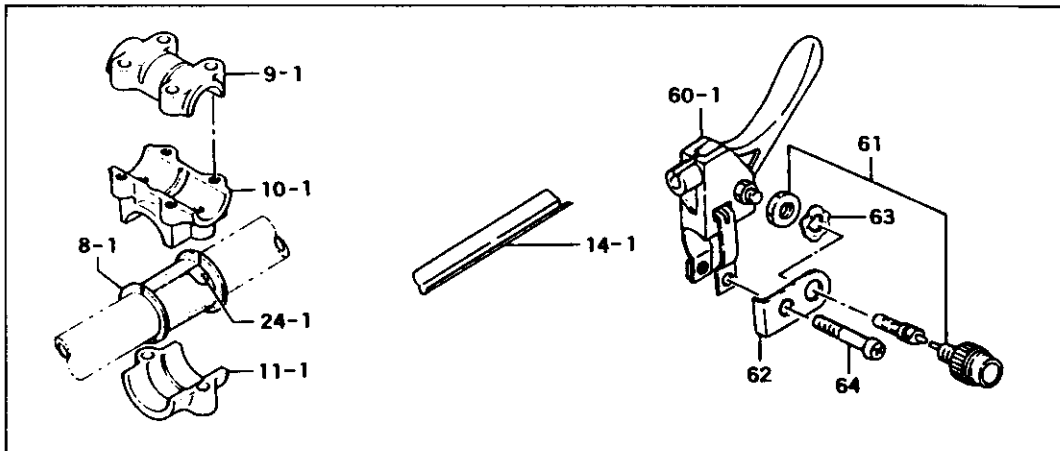
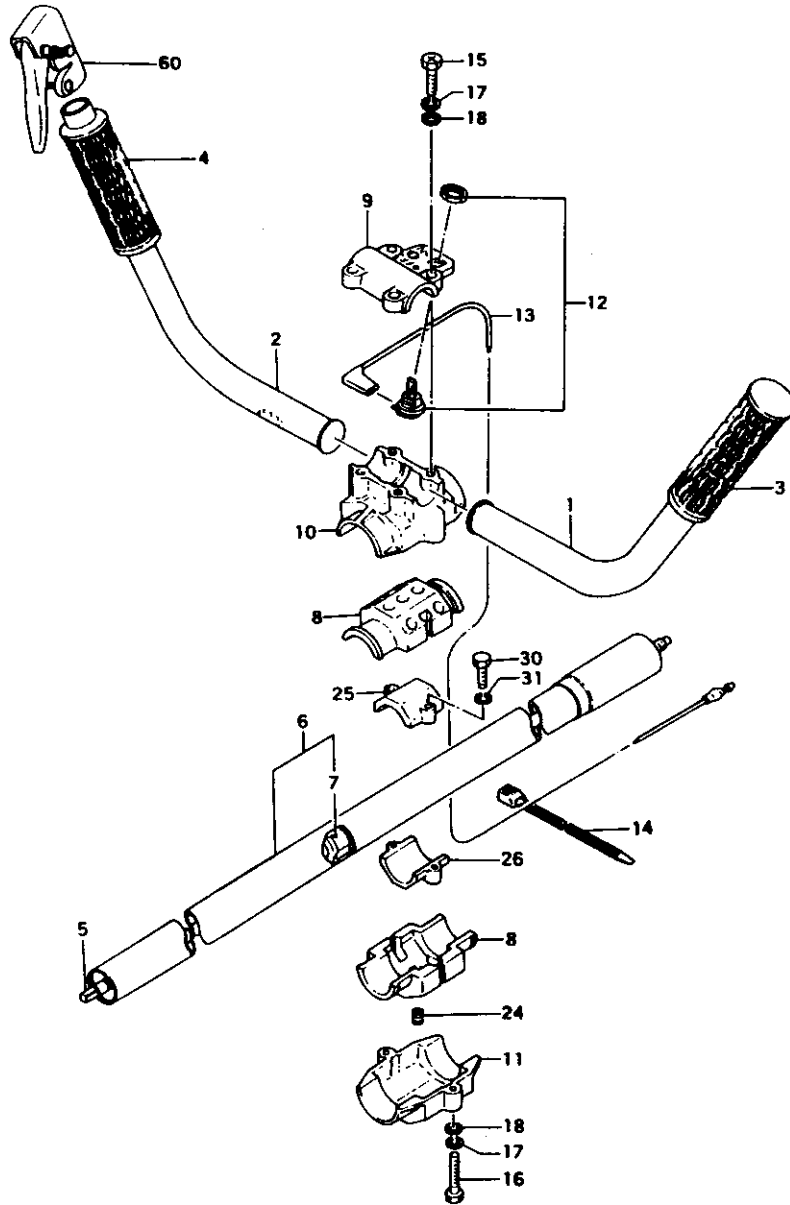


FIGURE 8

TBC-373 PARTS LISTING

REF.	PART NO.	PART DESCRIPTION	Q	C	S	SERIAL NO.	REMARKS
1	500-33411-202	HANDLE	1		D		
2	500-33576-200	PIPE,HANDLE	1		C		
3	503-33411-200	GRIP,HANDLE	2		D		
4	503-33576-200	GRIP,HANDLE	1		D		
5	343-33411-202	SHAFT,DRIVE	1		C		
6	341-33413-800	PIPE,DRIVE SHAFT	1		D		
7	347-33411-912	BUSHING,DRIVE SHAFT	5		D		
8-1	510-33411-201	CUSHION,HANDLE BRACKET	1		D	~C161900	
8	319-33576-200	CUSHION	2		D	C161901~	
9-1	506-33411-200	BRACKET,HANDLE A	1		D	~C161900	
9	506-33576-210	BRACKET,HANDLE,A	1		D	C161901~	
10-1	507-33411-201	BRACKET,HANDLE B	1		D	~C161900	
10	507-33576-200	BRACKET,HANDLE B	1		D	C161901~	
11-1	508-33411-20	BRACKET,HANDLE,C	1		D	~C161900	
11	508-33576-200	BRACKET,HANDLE,C	1		D	C161901~	
12	162-01300-900	SWITCH,STOP	1		A		
13	178-33680-800	CORD,STOP	1		D		
14-1	198-33578-200	CLAMP,CORD	1		D	~D107499	
14	198-33576-200	CLAMP,CORD	2		D	D107500~	
15	990-23060-221	BOLT,PLUS,6X22	4		C		
16	990-21060-301	BOLT,6X30	2		D		
17	992-10060-012	WASHER,S,6	6		A		
18	992-01060-011	WASHER,6	6		A		
24-1	176-0062W-201	TERMINAL,GROUNDING	1		C	~C161900	
24	176-33576-200	TERMINAL,EARTH	1		D	C161901~	
25	448-33576-200	BRACKET,A	1		D		
26	449-33576-200	BRACKET,B	1		D		
30	990-21050-201	BOLT,5X20	2		D		
31	992-10050-012	WASHER,S,5	2		A		
60-1	870-01560-910	LEVER,THROTTLE ASS'Y	1		C	~C161900	
60	870-04031-901	LEVER,THROTTLE ASS'Y	1		C	C161901~	
61	170-01004-801	BUTTON,STOP	1		C		
62	640-0062M-201	BRACKET,STOP BUTTON	1		D		
63	992-04080-030	WASHER,8	1		C		
64	990-11060-301	SCREW,6X30	1		D		

* Indicates the part is included in a kit or assembly and is not available individually. Q=Quan. used
 C=Interchangeability S=Stocking code: A=Fast moving B=Med. fast C=Med. move D=Slow move
 E=N.L.A. F=Superseded or replaced by a new part

FIG.9 GEAR CASE

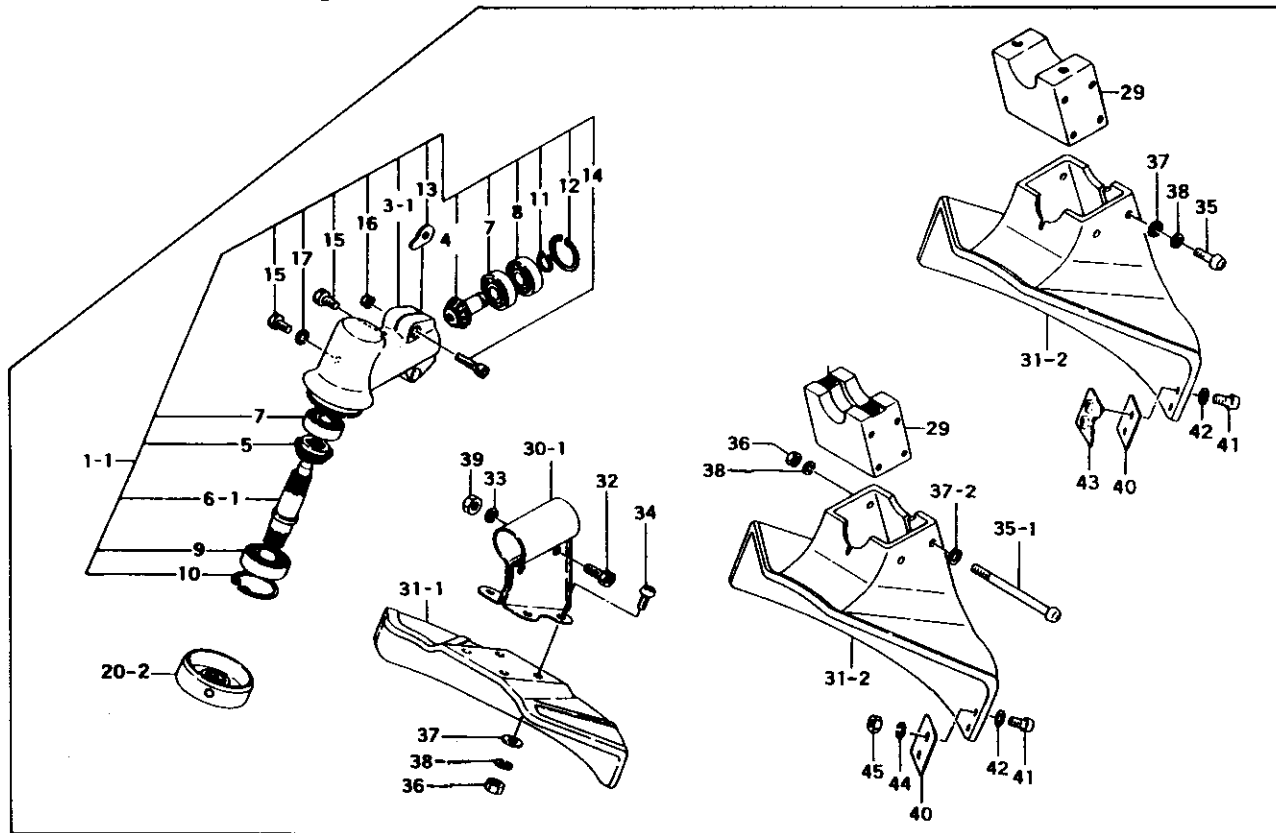
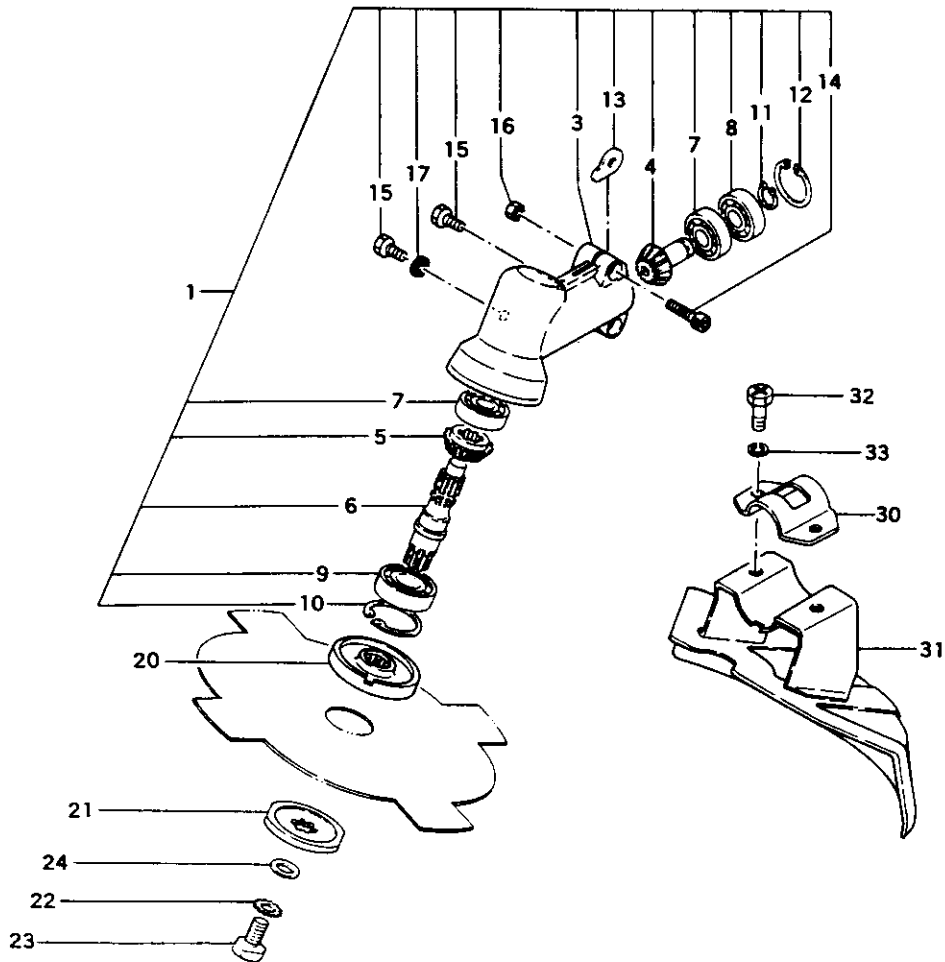


FIGURE 9

TBC-373 PARTS LISTING

REF.	PART NO.	PART DESCRIPTION	Q	C	S	SERIAL NO	REMARKS
1-1	300-37000-000	SET,GEAR CASE	1		D	~D229061	Includes cutter holder
1	300-37000-920	CASE,GEAR,ASS'Y	1		C	D229062~	
3-1	300-33410-000	SET,GEAR CASE	1		D	~D179760	Includes cutter holder
3	300-33410-220	CASE,GEAR	1		C	D179761~	
4	301-33411-00	SET,GEAR/PINION	1		C		
5	301-33411-00	SET,GEAR/PINION	1		C		
6	304-37000-200	SHAFT,GEAR	1		D		
7	999-61600-000	BEARING,BALL,#6000	2		C		
8	999-61600-004	BEARING,BALL,#6000DD	1		C		
9	999-61600-203	BEARING,BALL,#6002D	1		C		
10	993-51032-002	RING,STOP,C-32 IN	1		C		
11	993-50010-002	RING,STOP,C-10 EX	1		C		
12	993-51026-002	RING,STOP,IN,C-26	1		D		
13	324-33410-201	WASHER,GEAR CASE	2		C		
14	990-51050-203	BOLT,HEX.HOLE,5X20	2		C		
15	990-23060-121	BOLT,PLUS,6X12	2		C		
16	991-01050-011	NUT,5	2		A		
17	317-33411-201	GASKET,OIL	1		D		
20-2	310-33410-202	HOLDER,CUTTER	1		E	~D179760	
20	310-33524-20	HOLDER,CUTTER	1		C	D179761~	
21	311-33411-201	CAP,CUTTER HOLDER	1		B		
22	992-29080-000	WASHER,TOOTHED LOCK,8	1		B		
23	312-33411-200	BOLT,CUTTER FIXING (LEFT)	1		A		
24	992-01080-011	WASHER,8	1		A		
29	445-33578-200	SPACER,BRACKET	1		D		
30-1	442-33410-200	BRACKET,SAFETY GUARD	1		D	~C161900	
30	442-33671-201	BRACKET	1		B	C161901~	
31-1	441-33700-220	GUARD,SAFETY	1		E	~C161900	
31-2	441-33671-220	GUARD,SAFETY	1		D	~D107499	
31	441-37003-802	GUARD,SAFETY	1		B	D107500~	
32	990-23060-151	BOLT,PLUS,6X15	2		A		
33	992-10060-012	WASHER,S,6	2		A		
34	990-11050-151	SCREW,5X15	4		D		
35-1	990-11050-751	SCREW,5X75	2		C	~D011380	
35	990-11050-161	SCREW,5X16	4		B	D107500~	
36	991-01050-011	NUT,5	2		A		
37	992-01050-011	WASHER,5	4		A		
38	992-10050-012	WASHER,S,5	4		A		
39	991-01060-011	NUT,6	2		A		

* Indicates the part is included in a kit or assembly and is not available individually. Q=Quan. used
 C=Interchangeability S=Stocking code: A=Fast moving B=Med. fast C=Med. move D=Slow move
 E=N.L.A. F=Superseded or replaced by a new part

FIGURE 9 cont.

TBC-373 PARTS LISTING

REF.	PART NO.	PART DESCRIPTION	Q	C	S	SERIAL NO	REMARKS
40	800-33005-201	BLADE	1		C		
41	990-11040-161	SCREW,4X16	2		A	-D107499	
41	990-11040-121	SCREW,4X12	2		B	D107500~	
42	992-01040-011	WASHER,4	2		C		
43	799-33005-200	GUIDE,BLADE	1		C		
44	992-10040-012	WASHER,S,4	2		D		
45	991-01040-011	NUT,4	2		C		

* Indicates the part is included in a kit or assembly and is not available individually. Q=Quan. used
 C=Interchangeability S=Stocking code: A-Fast moving B=Med. fast C=Med. move D=Slow move
 E=N.L.A. F=Supersceded or replaced by a new part

FIG.10 TOOLS & NYLON HEAD

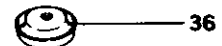
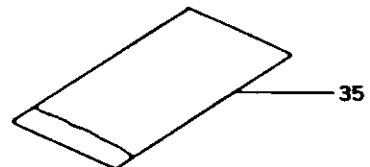
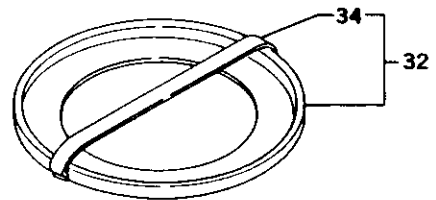
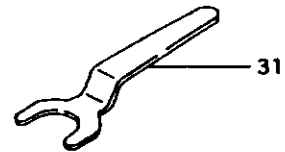
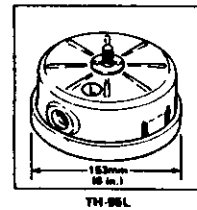
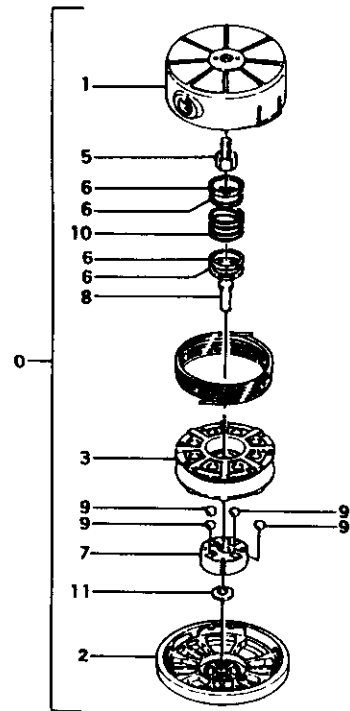
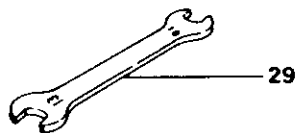
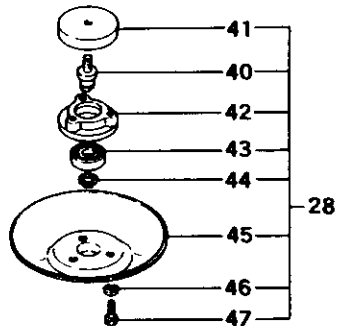
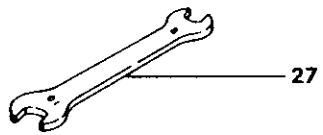
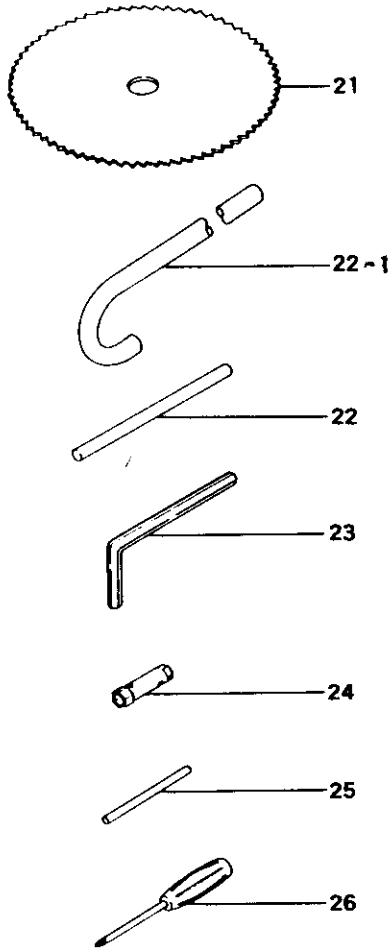


FIGURE 10

TBC-373 PARTS LISTING

REF.	PART NO.	PART DESCRIPTION	Q	C	S	SERIAL NO	REMARKS
0	783-33670-93	IR487/AUTO HEAD (L)	1		B		
1	786-33670-92	BODY,CUTTING	1		C		
2	789-33670-23	CAP,BODY	1		B		
3	787-33670-210	REEL,(L)	1		C		
5	314-33670-20	BOLT,8X1.25 LH GOLD	1		A		
6	792-33004-200	WASHER,REEL	4		A		
7	790-33004-200	SLIDER,REEL	1		A		
8	791-33004-200	HOOK,REEL SLIDER	1		A		
9	673-35600-20	BALL,STEEL	4		A		
10	793-33910-20	SPRING,REEL,SILVER	1		A		
11	358-02103-200	WASHER,CLUTCH A	1		A		
21	746108	BLADE,10X80,1R489,(PSB-180)	1		A		
22-1	752-33564-202	STOPPER,HANDLE	1		D	-D179760	
22	752-33900-200	BAR,LOCKING	1		C	D179761~	
23	813-20000-200	WRENCH,HEX,4	1		D		
24	826-20000-200	SPANNER,BOX,17X19	1		D		
25	951-20000-200	HANDLE,8X120	1		D		
26	862-20000-200	SCREW DRIVER,PHILLIPS	1		D		
27	801-20000-200	SPANNER,8X10	1		D		
28	601-33411-900	DISK,BLADE SAFETY ASS'Y	1		C		
29	808-20000-200	SPANNER,10X13	1		D		
31	809-20000-202	SPANNER,41	1		D		
32	BP-100	PROTECTOR,BLADE,9/10"	1		D		
34	616-33411-200	BAND,CUTTER COVER	1		D		
35	948-32310-200	BAG,TOOL	1		D		
36	316-33410-200	PROTECTOR,BOLT	1		A		
40	604-33411-204	BOLT,DISK FIXING	1		D		
41	603-33411-200	COVER,FREE WHEELING DISK	1		D		
42	602-33411-201	METAL,FREE WHEELING DISK	1		D		
43	999-61600-203	BEARING,BALL,#6002D	1		C		
44	993-50015-002	RING,STOP,C-15 EX	1		C		
45	601-33411-201	DISK,BLADE SAFETY	1		D		
46	992-10060-012	WASHER,S,6	3		D		
47	990-21060-151	BOLT,6X15	3		C		

* Indicates the part is included in a kit or assembly and is not available individually. Q=Quan. used
 C=Interchangeability S=Stocking code: A=Fast moving B=Med. fast C=Med. move D=Slow move
 E=N.L.A. F=Superseded or replaced by a new part

FIG.11 MARKS

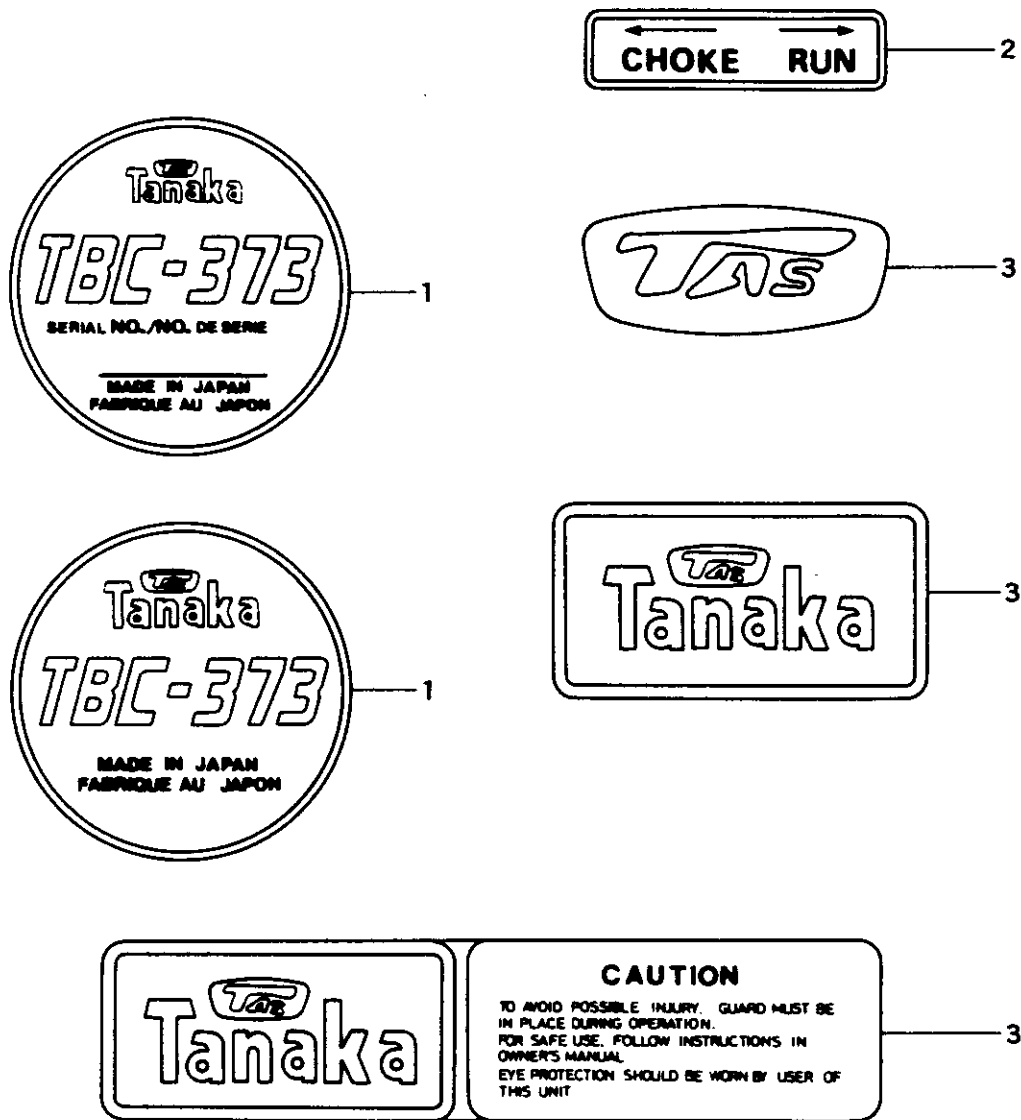


FIGURE 11

TBC-373 PARTS LISTING

REF.	PART NO.	PART DESCRIPTION	Q	C	S	SERIAL NO	REMARKS
1	906-33512-220	DECAL	1		D		
2	908-04021-200	DECAL,CHOKE	1		D		
3	929-33576-201	DECAL,SYMBOL	1		D		