

***Tanaka***

---

**Parts Catalog**

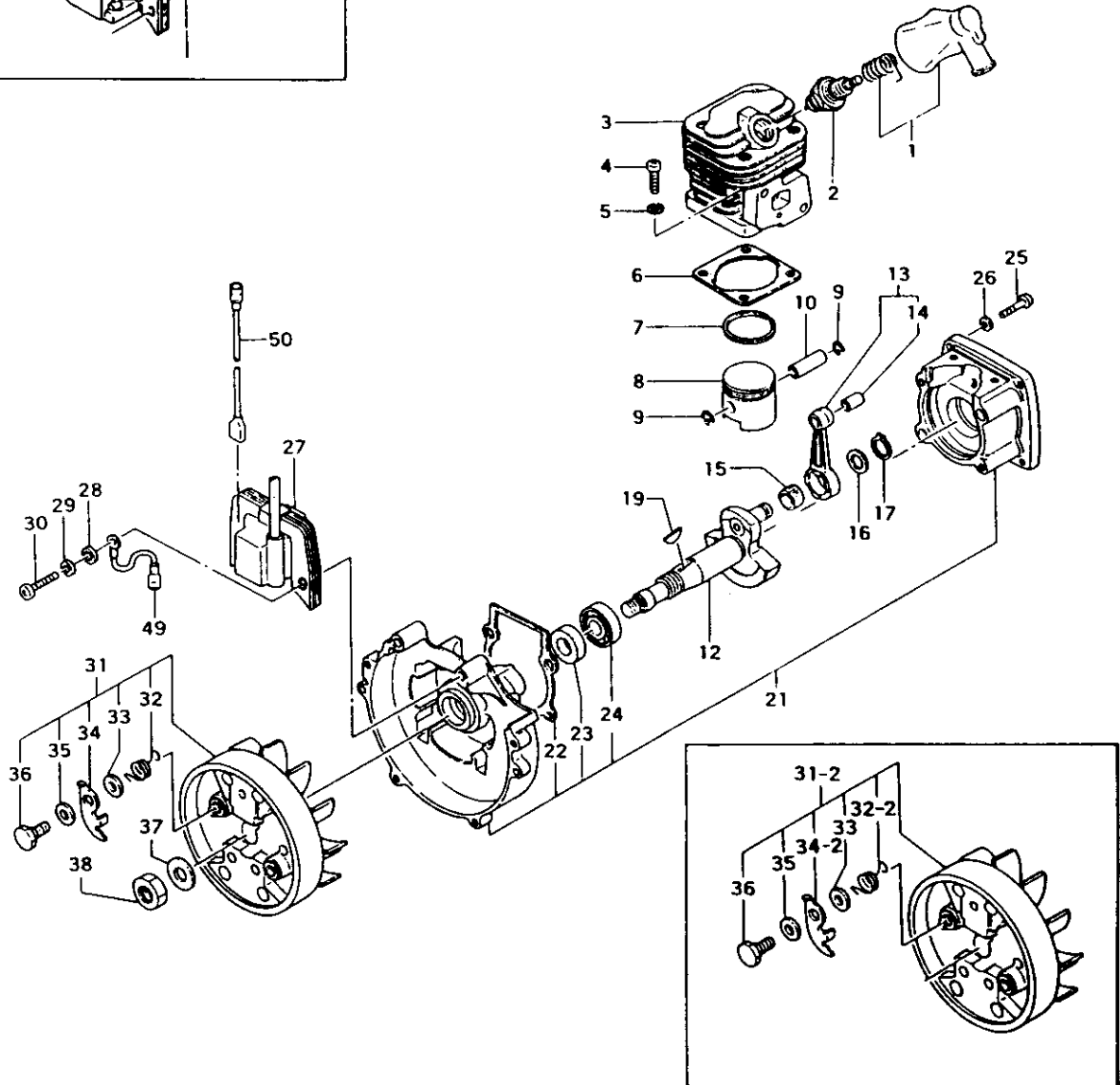
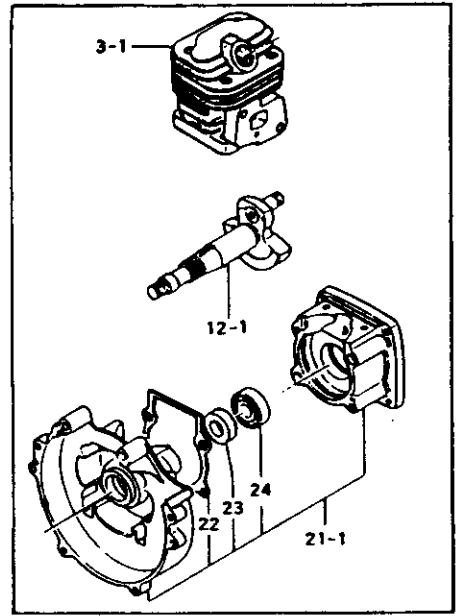
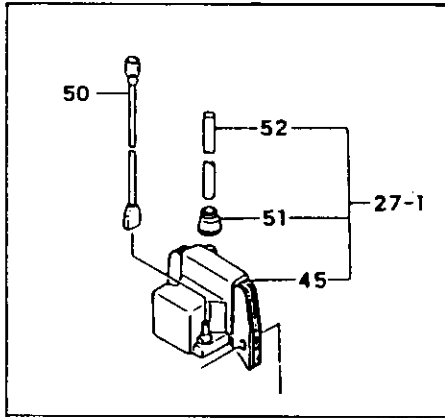


**Trimmer/Brushcutter**

**Model: TBC-5000**

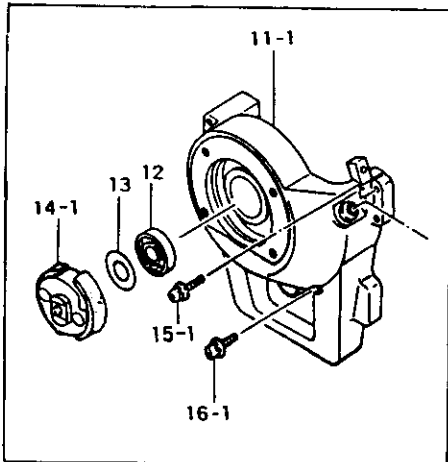
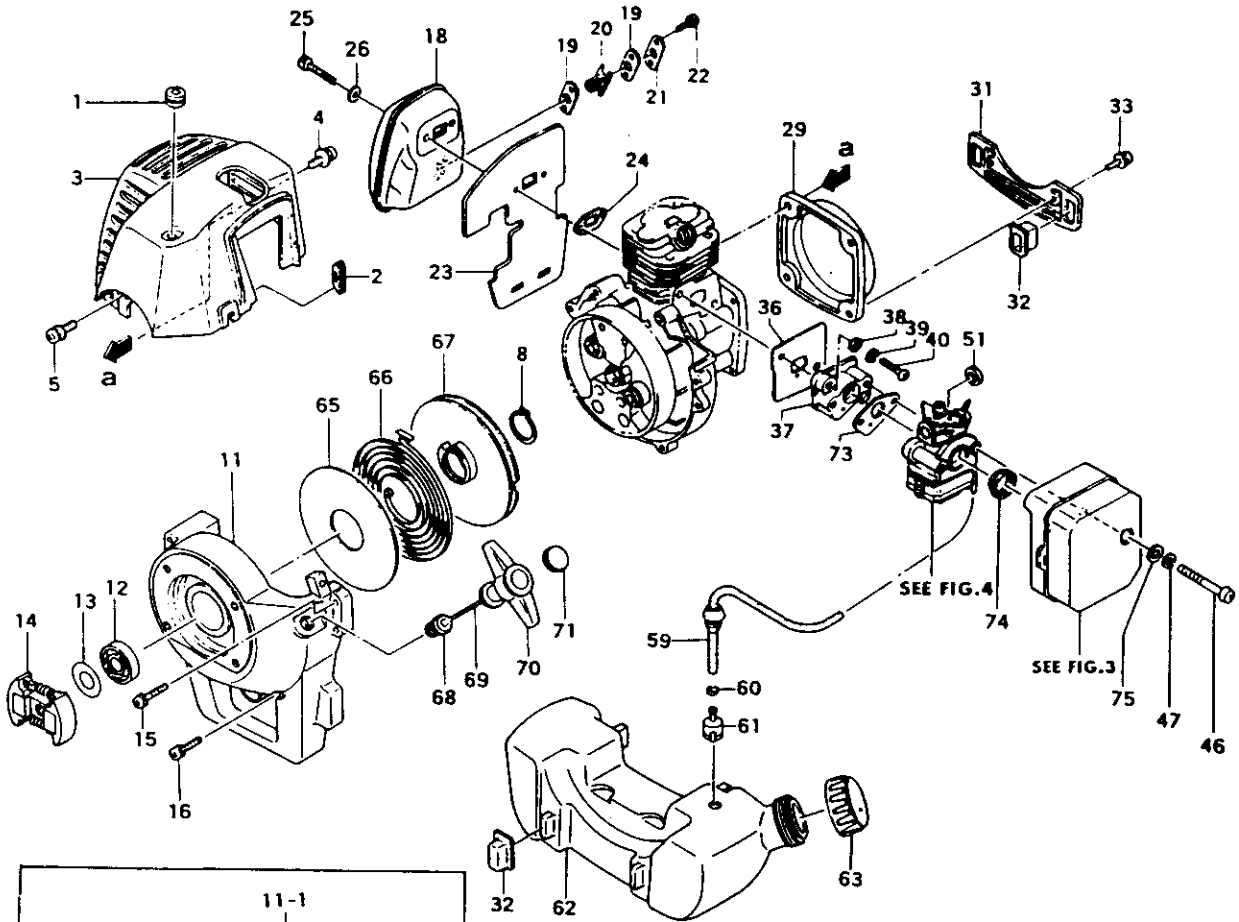
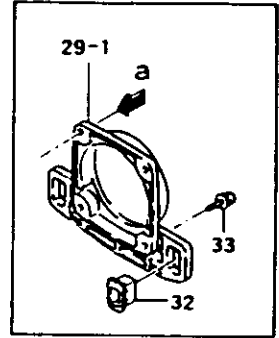
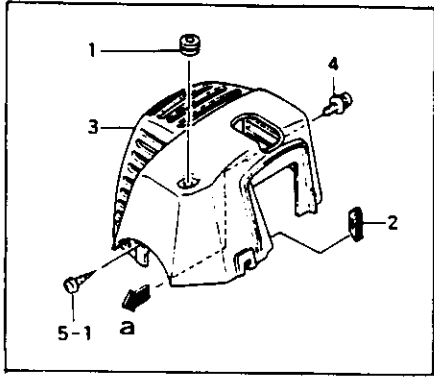
**All Units Prior To Serial Number: -L019750**

# FIG.1 ENGINE



REF. NBR	PART NBR	PART NAME	QTY	SERIAL NBR	REMARKS
1-001	157-0631A-900	SPARK PLUG CAP ASS'Y	1		
1-002	018-11660-200	SPARK PLUG BPM6A	1		
1-003	002-0634F-200	CYLINDER	1	-H058471	
1-003, 1	002-0634F-210	CYLINDER	1	P H058472-	
1-004	990-11050-181	SCREW 5X18	4		
1-005	992-10050-012	S.WASHER 5	4		
1-006	017-0631A-200	CYLINDER GASKET	1		
1-007	041-00000-210	PISTON RING	1		
1-008	031-0634F-800	PISTON	1	I -J014350	
1-008	031-0634F-201	PISTON	1	J014351-	
1-009	039-06100-200	CIR CLIP	2		
1-010	037-06097-200	PISTON PIN	1		
1-012	059-0634F-200	CRANK SHAFT, DRIVEN SIDE	1	-H058471	
1-012, 1	059-0634F-210	CRANK SHAFT, DRIVEN SIDE	1	M H058472-	
1-012, 1	059-0634F-210	CRANK SHAFT, DRIVEN SIDE	1	M	
1-012, 1	046-0634F-810	CRANKSHAFT COMP.	1		
1-013	061-0634F-800	CONNECTING ROD COP.	1	I -H058471	
1-013	061-0634F-801	CONNECTING ROD COP.	1	H058472-	
1-014	999-62071-127	NEEDLE BEARING F-79	1		
1-015	999-62101-432	NEEDLE BEARING 10148	1		
1-016	801-10205-202	PULLEY WASHER	1		
1-017	993-50010-002	STOP RING C-10 EX	1		
1-019	068-10100-200	WOOD-RUFF KEY 3X13X4.5	1		
1-021	072-0635A-900	CRANK CASE ASSY	1	-H058471	
1-021, 1	072-0635A-910	CRANK CASE ASSY	1	P H058472-	
1-022	090-06097-200	CRANK CASE GASKET	1		
1-023	999-66152-500	OIL SEAL 15257	1		
1-024	999-61600-200	BALL BEARING #6002	1		
1-025	990-11050-251	SCREW 5X25	4		
1-026	992-10050-012	S.WASHER 5	4		
1-027	167-20508-800	IGNITION COIL COMP.	1	I -J147780	
1-027, 1	167-20516-900	IGNITION COIL ASS'Y	1	J147781-	
1-028	992-00050-011	SMALL WASHER 5	2		
1-029	992-10050-012	S.WASHER 5	2		
1-030	990-11050-201	SCREW 5X20	2		
1-031	155-20514-900	MAGNETO ROTOR ASSY, AS-5000	1	R -H119250	
1-031	155-20515-900	MAGNETO ROTOR ASSY, TC-5000	1	I H119251-	
1-031	155-20515-901	MAGNETO ROTOR ASSY, TC-5000	1	H249661-	
1-031, 2	155-20514-901	MAGNETO ROTOR ASSY, AS-5000	1	M H278441-	
1-032	790-0633M-210	STARTER PAWL SPRING	2	-H119250	
1-032	790-0635A-200	STARTER PAWL SPRING	2	M H119251-	
1-032	790-0635A-200	STARTER PAWL SPRING	2	I	
1-032	790-0635A-201	STARTER PAWL SPRING	2	H249661-	
1-032, 2	790-0633M-210	STARTER PAWL SPRING	2	M H278441-	
1-033	786-00601-200	STARTER PAWL WASHER	2		
1-034	788-0633M-201	STARTER PAWL	2	-H033200	
1-034, 2	788-0633M-210	STARTER PAWL	2	M H033201-	
1-035	822-00601-200	STARTER PAWL SHIM 0.6T	2		
1-036	793-10200-201	STEP BOLT	2	I -J065051	
1-036	793-10200-202	STEP BOLT	2	J065052-	
1-036	793-0636T-200	STEP BOLT	2	P J133531-	
1-037	992-00120-011	SMALL WASHER 12	1		
1-038	991-11120-011	SMALL NUT 12	1		
1-045	167-20516-800	IGNITION COIL COMP.	1	N J147781-	
1-049	274-0097A-800	EARTH CORD COMP.	1		
1-050	178-0631A-800	STOP CORD COMP.	1		
1-051	560-20517-200	RUBBER CAP	1	N J147781-	
1-052	264-20516-200	HIGH TENSION CORD, 150L	1	N J147781-	

# FIG.2 ENGINE COMPONENTS

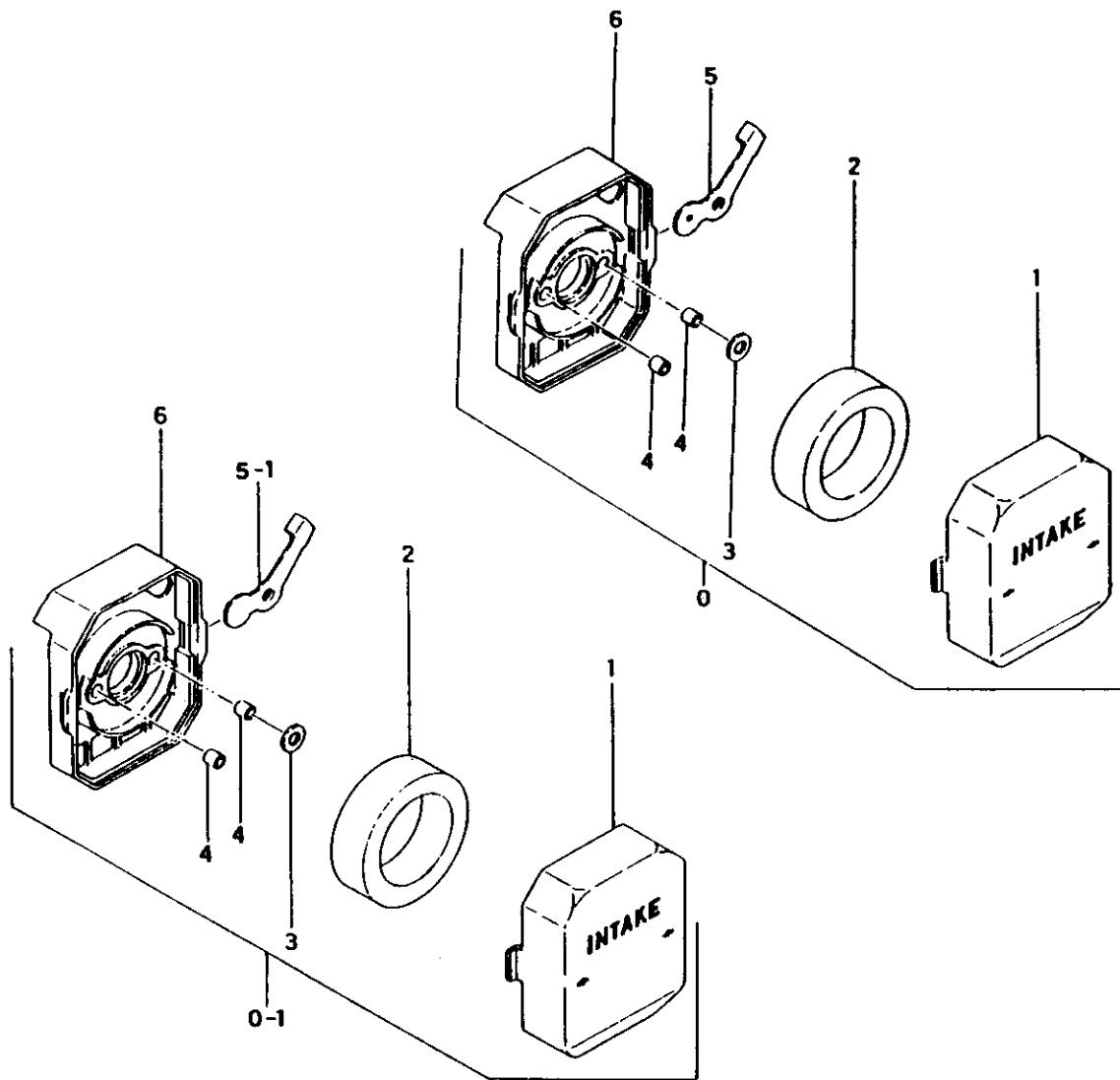


REF. NBR	PART NBR	PART NAME	QTY	SERIAL NBR	REMARKS
2-001	202-01003-201	SECONDARY CORD GROMMET	1		
2-002	203-0631A-200	GROMMET	1		
2-003	738-0631A-200	MUFFLER PROTECTOR	1	-H249660	
2-003	738-0631A-201	MUFFLER PROTECTOR	1	P H249661-	
2-004	994-15040-222	SCREW 4X22/PS	2		
2-005	994-15040-122	SCREW 4X12/PS	2	-H249660	
2-005.1	990-72045-164	TAPPING SCREW 4.5X16	2	M H249661-	
2-008	993-50017-002	STOP RING C-17 EX	1		
2-011	112-0635A-200	FAN CASE	1	-H249660	
2-011.1	112-0635A-800	FAN CASE COMP. VERMILION	1	M H249661-	
2-012	999-61600-001	BALL BEARING #6000ZZ	1		
2-013	173-35500-200	PROPELLER SHAFT SHIM A 0.20	1		
2-013	174-35500-200	PROPELLER SHAFT SHIM A 0.30	1		
2-013	175-35500-200	PROPELLER SHAFT SHIM A 1.0	1		
2-014	277-0634F-900	CLUTCH ASSY, 48MM	1	R -J194956	
2-014.1	277-0635W-800	CLUTCH COMP, 48MM	1	J194957-	
2-015	994-14050-202	SCREW 5X20/S	1	-H249660	
2-015.1	994-16050-202	SCREW 5X20/WS	1	M H249661-	
2-016	994-14050-402	SCREW 5X40/S	3	-H249660	
2-016.1	994-16050-402	SCREW 5X40/WS	3	I H249661-	
2-016.1	994-16050-422	SCREW 5X42/WS	3	J035361-	
2-018	706-0631A-800	MUFFLER COMP.	1	I -H249660	
2-018	706-0631A-801	MUFFLER COMP.	1	H249661-	
2-019	751-04200-200	MUFFLER GASKET	2	B -H119250	
2-019	751-04200-201	MUFFLER GASKET	2	H119251-	
2-020	732-0631A-200	SPARK ARRESTOR, USA ONLY	1		
2-021	734-0631A-200	TAIL PIPE	1		
2-022	994-14040-082	SCREW 4X8/S	2	M	
2-022	994-14040-081	SCREW 4X8/S	2		
2-023	133-0631A-200	HEAT SHIELD	1	-H033200	
2-023	133-0631A-201	HEAT SHIELD	1	P H033201-	
2-024	737-06100-210	MUFFLER GASKET	1		
2-025	990-51050-503	HEX. HOLE BOLT 5X50	2		
2-026	992-01050-011	WASHER 5	2		
2-029	218-0634F-200	CRANK CASE COVER	1	-K005750	
2-029.1	218-0635A-200	CRANK CASE COVER	1	P K005751-	
2-031	653-0631A-200	TANK BRACKET	1	D K005751-	
2-032	655-00940-201	FUEL TANK CUSHION RUBBER	4		
2-033	994-15040-222	SCREW 4X22/PS	2		
2-036	403-0631A-200	INLET MANIFOLD GASKET	1	I -J065051	
2-036	403-0631A-201	INLET MANIFOLD GASKET	1	I J065052-	
2-036	403-0631A-202	INLET MANIFOLD GASKET	1	K075477-	
2-037	404-0631A-800	CARBURETOR INSULATOR COMP.	1		
2-038	992-01050-011	WASHER 5	2	M	
2-038	992-00050-011	SMALL WASHER 5	2		
2-039	992-10050-012	S. WASHER 5	2		
2-040	990-11050-221	SCREW 5X22	2		
2-046	990-11050-551	SCREW 5X55	2		
2-047	992-10050-012	S. WASHER 5	2		
2-051	991-01060-013	NUT 6	1		
2-059	223-0162V-900	FUEL PIPE ASS'Y	1		
2-060	680-00731-201	CLIP	1		
2-061	675-11600-900	PUMP FILTER BODY ASS'Y	1		
2-062	591-0635A-200	FUEL TANK	1		
2-063	595-0062A-901	TANK CAP ASS'Y	1		
2-065	827-0635A-200	RECOIL SPRING CASE COVER	1		
2-066	779-0635A-200	RECOIL SPRING	1		
2-067	774-0635A-200	STARTER PULLEY	1	B -H119250	
2-067	774-0635A-201	STARTER PULLEY	1	N H119251-	
2-067	774-0635A-202	STARTER PULLEY	1	M H249661-	
2-067	774-0635A-210	STARTER PULLEY	1		
2-068	780-01800-200	ROPE GUIDE	1	D H248661-	
2-069	783-01800-200	STARTER ROPE 3.5X960	1		

- To be cont'd -

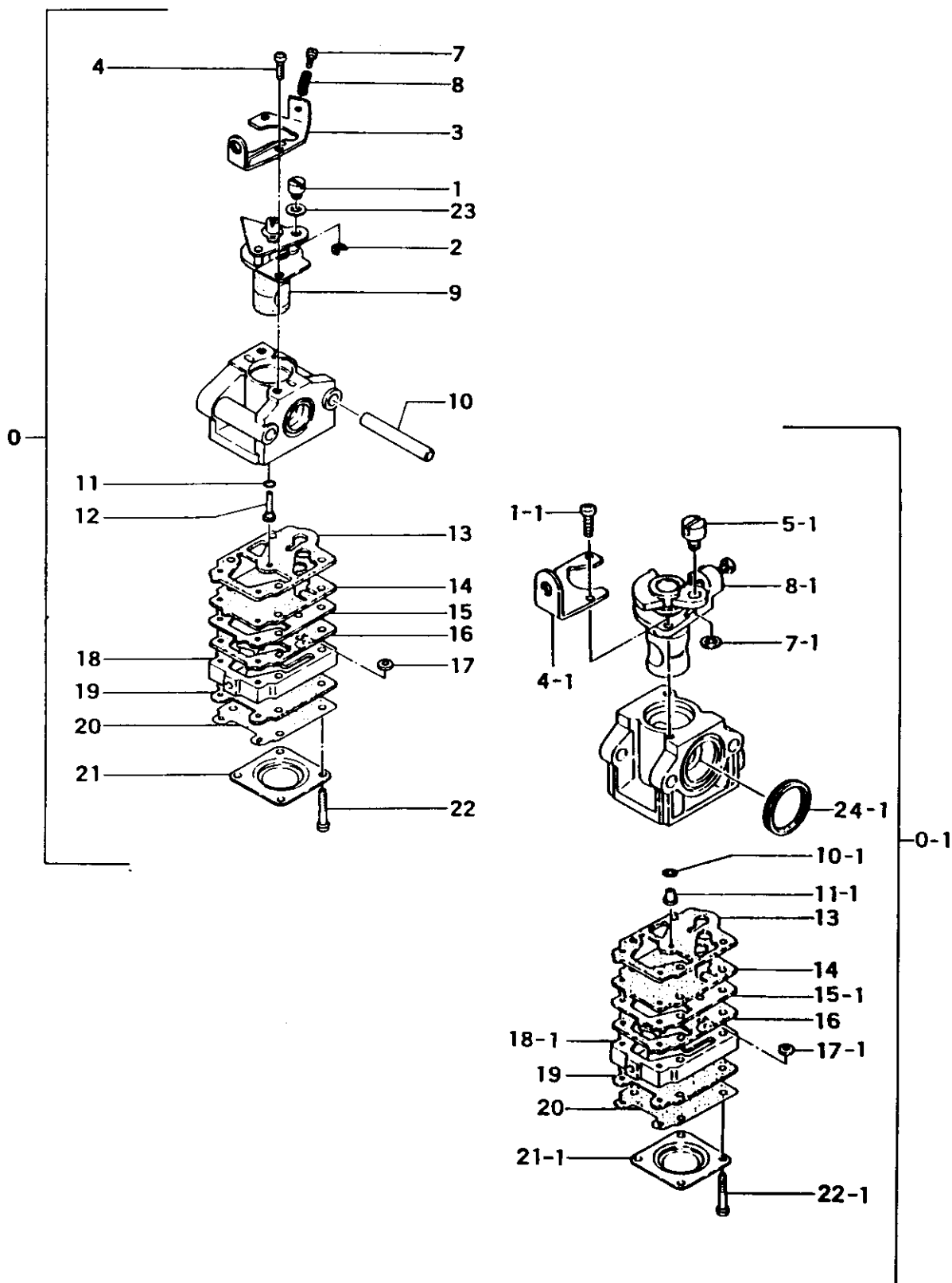
REF. NBR	PART NBR	PART NAME	QTY	SERIAL NBR	REMARKS
2-070	785-10207-201	STARTER HANDLE	1		
2-071	833-10207-200	STARTER HANDLE CAP	1		
2-073	402-0602K-200	CARBURETOR GASKET	1	B -J065051	
2-073	402-0602K-201	CARBURETOR GASKET	1	J065052-	
2-074	431-0602K-200	AIR CLEANER GASKET	1		
2-075	992-00050-011	SMALL WASHER 5	2		

# FIG.3 AIR CLEANER



REF. NBR	PART NBR	PART NAME	QTY	SERIAL NBR	REMARKS
3-000	410-0602K-901	AIR CLEANER ASS'Y	1	-J035360	
3-000.1	410-0635A-900	AIR CLEANER ASS'Y	1	P J035361-	
3-001	424-0602K-201	AIR CLEANER CAP	1		
3-002	446-0602K-200	CLEANER ELEMENT	1		
3-003	453-0602K-200	SPACER	1		
3-004	470-0602K-200	COLLAR	2		
3-005	528-0602K-200	CHOKE PLATE.W/1.5MM HOLE	1	B -J065051	
3-005.1	528-0635A-200	CHOKE PLATE	1	J065052-	
3-006	423-0602K-210	CLEANER BODY	1		

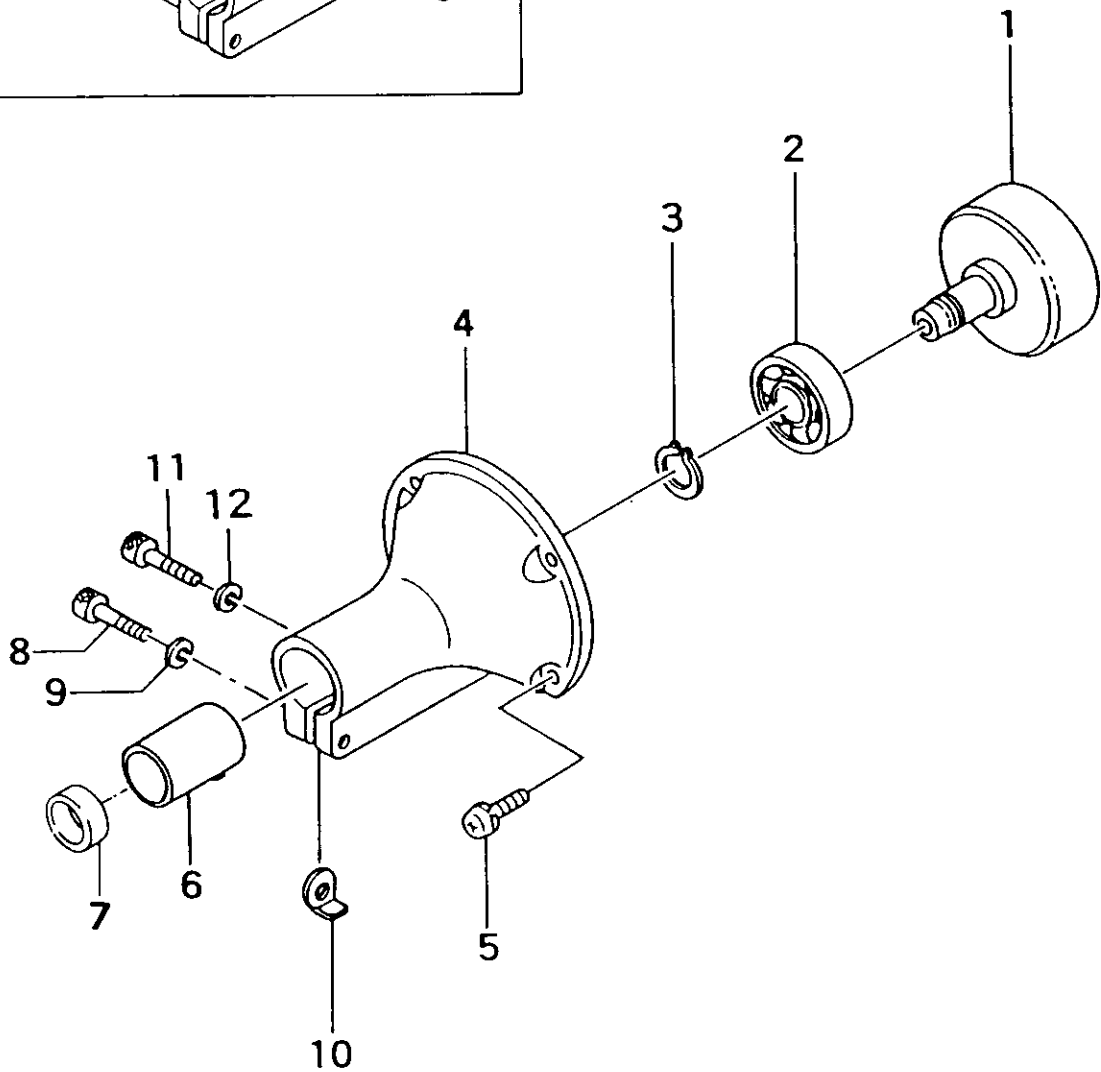
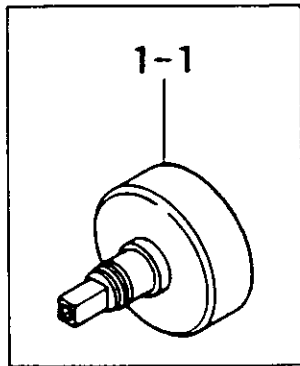
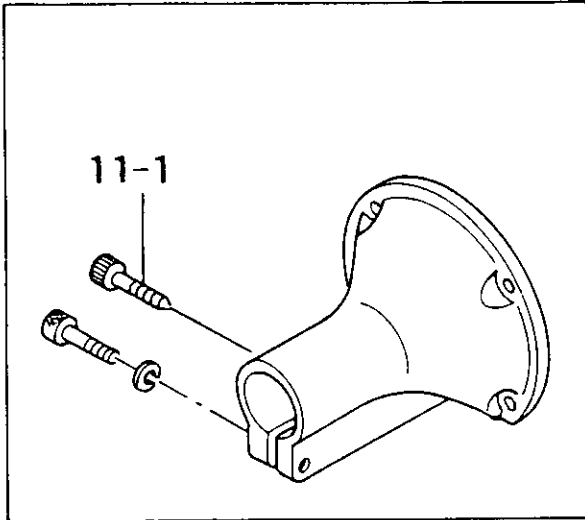
**FIG.4 CARBURETOR**





REF. NBR	PART NBR	PART NAME	QTY	SERIAL NBR	REMARKS
4-000	455-25119-900	CARBURETOR ASSY, WY	1	I -J048790	
4-000.1	455-25135-900	CARBURETOR ASS'Y, WYJ-11	1	J048791-	
4-001	539-25101-200	SWIVEL	1		
4-002	489-25100-200	STOP RING	1		
4-003	544-25100-200	ADJUSTER STAY	1		
4-004	514-25100-200	THROTTLE SET SCREW	2		
4-007	462-25100-201	IDLE ADJUST SCREW	1		
4-008	463-25100-200	IDLE ADJUST SPRING	1		
4-009	488-25100-810	THROTTLE VALVE COMP.	1		
4-010	437-25100-200	SLEEVE	2		
4-011	550-25100-200	O-RING	1		
4-012	599-25100-440	MAIN JET #44	1		
4-013	577-25100-200	PUMP GASKET	1		
4-014	576-25100-200	PUMP DIAPHRAGM	1		
4-015	523-25100-200	PUMP PLATE	1		
4-016	522-25100-200	CIRCUIT PLATE	1		
4-017	578-25006-200	INLET SCREEN	1		
4-018	575-25119-800	PUMP BODY COMP.	1		
4-019	475-25001-200	DIAPHRAGM GASKET	1		
4-020	474-25001-800	METERING DIAPHRAGM COMP.	1		
4-021	476-25006-200	DIAPHRAGM COVER	1		
4-022	548-25100-200	SET SCREW	4		
4-023	549-25100-200	THRUST WASHER	1		
4-001.1	514-25100-200	THROTTLE SET SCREW	2		
4-004.1	544-25120-200	CABLE ADJUST STAY	1		
4-005.1	539-25120-200	SWIVEL	1		
4-007.1	489-25100-200	STOP RING	1		
4-008.1	488-25129-800	THROTTLE VALVE COMP.	1		
4-010.1	550-25100-200	O-RING	1		
4-011.1	599-2000W-440	MAIN JET #44	1		
4-013	577-25100-200	PUMP GASKET	1		
4-014	576-25100-200	PUMP DIAPHRAGM	1		
4-015.1	523-25100-201	PUMP PLATE	1		
4-016	522-25100-200	CIRCUIT PLATE	1		
4-017.1	578-25007-200	INLET SCREEN	1		
4-018.1	575-25135-800	PUMP BODY COMP.	1		
4-019	475-25001-200	DIAPHRAGM GASKET	1		
4-020	474-25001-800	METERING DIAPHRAGM COMP.	1		
4-021.1	476-25004-200	DIAPHRAGM COVER	1		
4-022.1	548-25101-200	SET SCREW	4		
4-024.1	431-0634C-200	CLEANER PACKING	1		

**FIG.5 CLUTCH CASE**



REF. NBR	PART NBR	PART NAME	QTY	SERIAL NBR	REMARKS
5-001	289-0635A-800	CLUTCH SHAFT COMP, 48MM	1	-K259750	
5-001, 1	289-00025-800	CLUTCH DRUM COMP.	1	P K259751-	
5-002	999-61620-101	BALL BEARING #6201ZZ	1		
5-003	993-50012-002	STOP RING C-12 EX	1	D K259751-	
5-004	331-0634F-200	CLUTCH CASE, VERMILION	1	B -H119250	
5-004	331-0634F-201	CLUTCH CASE, VERMILION	1	H119251-	
5-004	331-0636J-200	CLUTCH CASE, VERMILION	1	N H249661-	
5-005	994-14050-162	SCREW 5X16/S	4		
5-006	599-0635A-200	ANTI-VIBE RUBBER	1	N H249661-	
5-007	342-37711-200	COLLAR	1	N K259751-	
5-007	342-37711-200	COLLAR	1	D L019501-	
5-008	990-51050-203	HEX. HOLE BOLT 5X20	1	-H249660	
5-008	990-51050-253	HEX. HOLE BOLT 5X25	1	N H249661-	
5-009	992-10050-012	S.WASHER 5	1	N	
5-009	992-10050-062	S.WASHER 5	1		
5-010	249-0630G-201	SPACER	1		
5-011	990-51050-153	HEX. HOLE BOLT 5X15	1	N H249661-	
5-011, 1	380-0635D-200	SPECIAL BOLT	1	N K259751-	
5-012	992-10050-062	S.WASHER 5	1	N H249661-	
5-012	992-10050-062	S.WASHER 5	1	D H278441-	

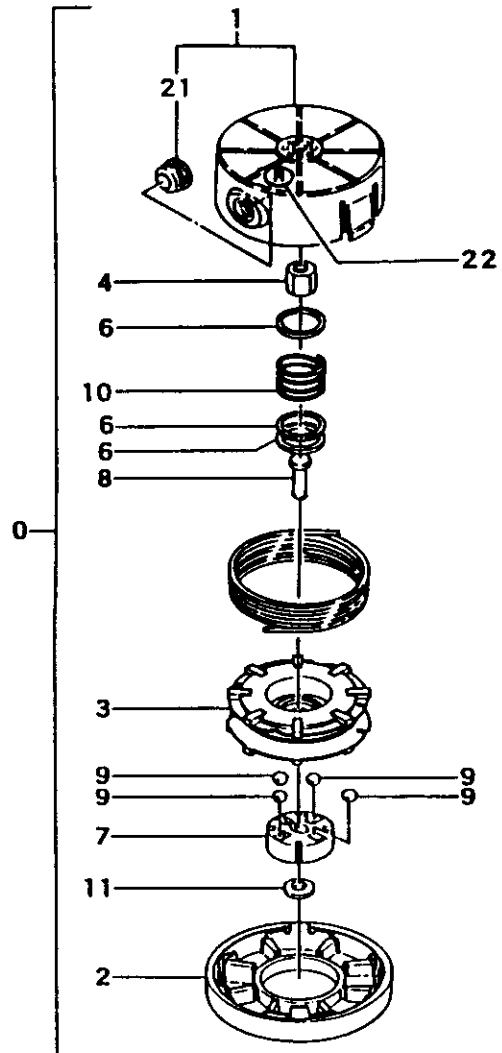
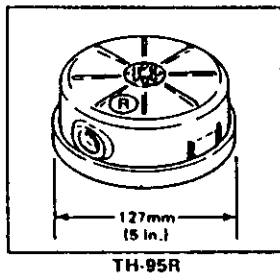
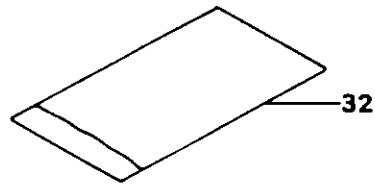
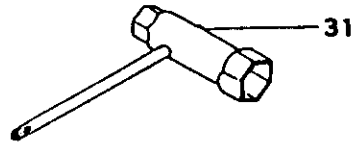
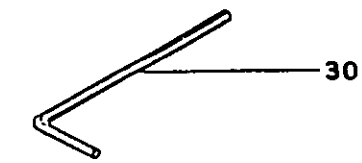


REF. NBR	PART NBR	PART NAME	QTY	SERIAL NBR	REMARKS
6-001	341-37651-900	DRIVE SHAFT PIPE ASSY	1	-H249660	
6-001	341-37651-920	DRIVE SHAFT PIPE ASSY	1	H249661-	
6-001	341-37651-920	DRIVE SHAFT PIPE ASSY	1	I	
6-001	341-37656-900	DRIVE SHAFT PIPE ASS'Y	1	I	J655552-
6-001	341-37651-920	DRIVE SHAFT PIPE ASSY	1	R	J072810-
6-001, 1	341-37651-930	DRIVE SHAFT PIPE ASSY	1	R	J148781-
6-001, 1	341-37651-931	DRIVE SHAFT PIPE ASSY	1		K161111-
6-001, 1	341-37651-940	DRIVE SHAFT PIPE ASSY	1	H	K270521-
6-002	300-37651-900	GEAR CASE ASSY	1	I	-J065551
6-002	300-37656-900	GEAR CASE ASS'Y	1	I	J065552-
6-002	300-37651-900	GEAR CASE ASSY	1	R	J072811-
6-002	300-37651-901	GEAR CASE ASSY	1		K161111-
6-002, 1	300-37651-910	GEAR CASE ASSY	1	P	K270521-
6-003	341-37651-200	DRIVE SHAFT PIPE	1	R	-H249660
6-003	341-37651-210	DRIVE SHAFT PIPE	1		H249661-
6-003	341-37651-220	DRIVE SHAFT PIPE	1	H	K270521-
6-004	350-37651-200	FLEXIBLE LINER	1	R	-H249660
6-004	350-37651-210	FLEXIBLE LINER	1		H249661-
6-005	344-37651-200	FLEXIBLE SHAFT	1		
					For spare part, Order #344-3765E-200
6-006	304-37651-200	CUTTER SHAFT	1	I	-K161110
6-006	304-37651-201	CUTTER SHAFT	1		K161111-
6-006, 1	304-37651-210	CUTTER SHAFT	1	P	K270521-
6-007	999-61608-004	BALL BEARING 608DD	2		
6-008	348-37651-200	COLLAR	1		
6-009	990-10050-101	SCREW 5X10	1	H	
6-009	990-11050-101	SCREW 5X10	1		
6-010	300-37651-200	GEAR CASE	1		
6-011	994-25050-301	BOLT 5X30 PS W/PLUS	1		
6-012	760-37651-200	SPECIAL WASHER	1		
6-013	992-10080-012	S. WASHER 8	1		
6-014	310-37651-200	CUTTER HOLDER	1	I	-J065551
6-014	310-37656-200	CUTTER HOLDER	1	I	J065552-
6-014	310-37651-200	CUTTER HOLDER	1		J072810-
6-016	885-0631A-802	THROTTLE WIRE COMP.	1		
6-017	164-13014-010	PROTECTION TUBE 13X140L	1		
6-020	441-37701-800	SAFETY GUARD COMP.	1		-L006290
6-020	441-37701-810	SAFETY GUARD COMP.	1	P	L006291-
6-021	442-37400-200	GUARD BRACKET	2		
6-022	992-10060-062	S. WASHER 6	2	H	
6-022	992-10060-012	S. WASHER 6	2		
6-023	990-23060-151	BOLT 6X15 W/PLUS	2	I	-H058471
6-023	990-23060-161	PLUS BOLT 6X16	2		H058472-
6-026	500-37651-200	HANDLE 22MM	1		
6-027	991-01060-041	HEX. NUT 6	2	H	
6-027	991-01060-011	NUT 6	2		
6-028	506-37651-200	HANDLE BRACKET A, 22MM	1		
6-029	992-01060-011	WASHER 6	2		
6-030	992-10060-062	S. WASHER 6	2	H	
6-030	992-10060-012	S. WASHER 6	2	D	H119251-
6-031	990-23060-451	BOLT 6X45	2		-H119250
6-031	990-23060-431	BOLT 6X43	2	P	H119251-
6-061	504-37400-200	SHAFT GRIP	1		
6-062	178-37300-801	STOP CORD COMP.	2		
6-065	870-37400-900	THROTTLE LEVER ASS'Y	1		
6-066	162-37101-200	STOP SWITCH	1		
6-067	993-42030-081	TAPPING SCREW 3X8	3		
6-068	259-37101-200	STOP SWITCH BASE	1		
6-069	262-37101-200	STOP SWITCH SPRING	1		
6-070	177-37101-200	EARTH TERMINAL B	1		
6-071	176-37101-200	EARTH TERMINAL A	1		
6-072	991-86050-000	SELF-LOCK NUT 5	1		
6-073	993-55060-001	STOP RING 6	1		

- To be cont'd -

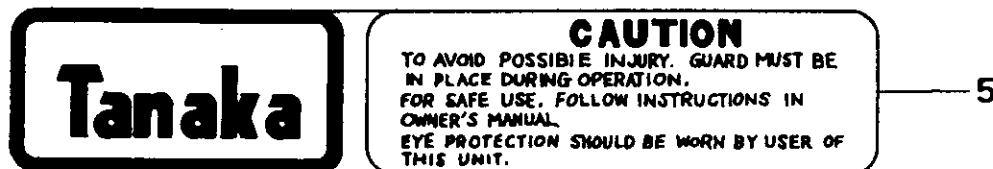
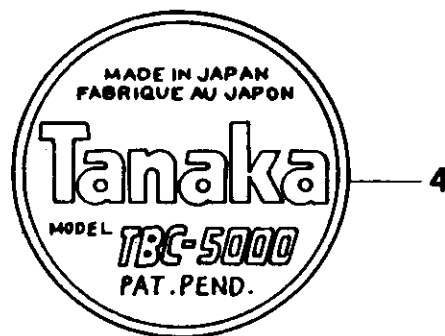
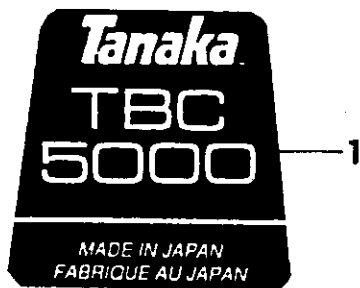
REF. NBR	PART NBR	PART NAME	QTY	SERIAL NBR	REMARKS
6-074	832-37101-200	RETURN SPRING	1		
6-075	880-37101-200	THROTTLE ARM	1		
6-076	994-31050-251	SCREW 5X25	1		
6-077	853-37101-200	LOCK BUTTON SHAFT	1		
6-078	958-37101-200	LOCK BUTTON SPRING	1		
6-079	956-37101-200	LOCK BUTTON	1		
6-086.1	320-37651-200	SPACER	1	N J148781-	
6-095.1	306-37651-200	WINDING PROTECTOR COVER C	1	N J148781-	
6-095.1	306-37651-200	WINDING PROTECTOR COVER C	1	I -K075476	
6-095.1	306-37651-201	WINDING PROTECTOR COVER C	1	K075477-	
6-096.1	308-37651-200	WINDING PROTECTOR COVER B	1	N J148781-	
6-096.1	308-37651-200	WINDING PROTECTOR COVER B	1	I -K075476	
6-096.1	308-37651-201	WINDING PROTECTOR COVER B	1	K075477-	
6-097.1	992-10050-062	S. WASHER 5	2	N J148781-	
6-098.1	990-51050-203	HEX. HOLE BOLT 5X20	2	N J148781-	
6-099.1	307-37651-200	WINDING PROTECTOR COVER	1	N J148781-	
6-099.1	307-37301-201	WINDING PROTECTOR	1	P K075477-	

# FIG.7 TOOLS & NYLON HEAD



REF. NBR	PART NBR	PART NAME	QTY	SERIAL NBR	REMARKS
7-000	783-33071-900	NYLON HEAD ASS'Y (TH-95R)	1	I -H076054	
7-000	783-33071-901	NYLON HEAD ASS'Y (TH-95R)	1	I H076055-	
7-000	783-33071-902	NYLON HEAD ASS'Y (TH-95R)	1	K009351-	
7-001	786-33004-801	CUTTING BODY COMP.	1	I -H076054	
7-001	786-33004-900	CUTTING BODY ASS'Y	1	H076055-	
7-002	789-33004-201	BODY CAP	1		
7-003	787-33004-202	CORD REEL	1		
7-004	315-33071-200	DRIVE NUT R/H SILVER	1		
7-006	792-33004-200	REEL WASHER	4	-K009350	
7-006	792-33004-200	REEL WASHER	3	K009351-	
7-007	790-33004-200	REEL SLIDER	1		
7-008	791-33004-200	REEL SLIDER HOOK	1		
7-009	673-35600-200	STEEL BALL 5/16"	4		
7-010	793-33071-200	REEL SPRING (GREEN)	1		
7-011	358-02103-200	WASHER	1		
7-021	788-33071-200	CORD GUIDE	2	N H076055-	
7-022	926-33071-200	IDENTIFICATION MARK, R	1		
7-030	813-20000-200	HEX. WRENCH 4	1		
7-031	829-20000-800	COMBI. BOX SPANNER 13X19 .PLUS	1		
7-032	948-39907-200	TOOL BAG	1		

FIG.8 MARKS



REF. NBR	PART NBR	PART NAME	QTY	SERIAL NBR	REMARKS
8-001	906-37701-200	NAME PLATE, TBC-5000	1	N H278441-	
8-002	919-37701-200	CAUTION MARK	1	N H278441-	
8-003	933-37651-200	SYMBOL MARK B	1	N H278441-	
8-004	906-0635A-200	NAME PLATE, TBC-5000	1	-H278440	
8-004.1	950-37651-200	PREMIER MARK A	1	N H278441-	
8-005	929-33006-201	SYMBOL MARK	1	-H278440	
8-005.1	951-37651-200	PREMIER MARK B	1	N H278441-	
8-006	923-33700-200	LEVEL MARK	1		