

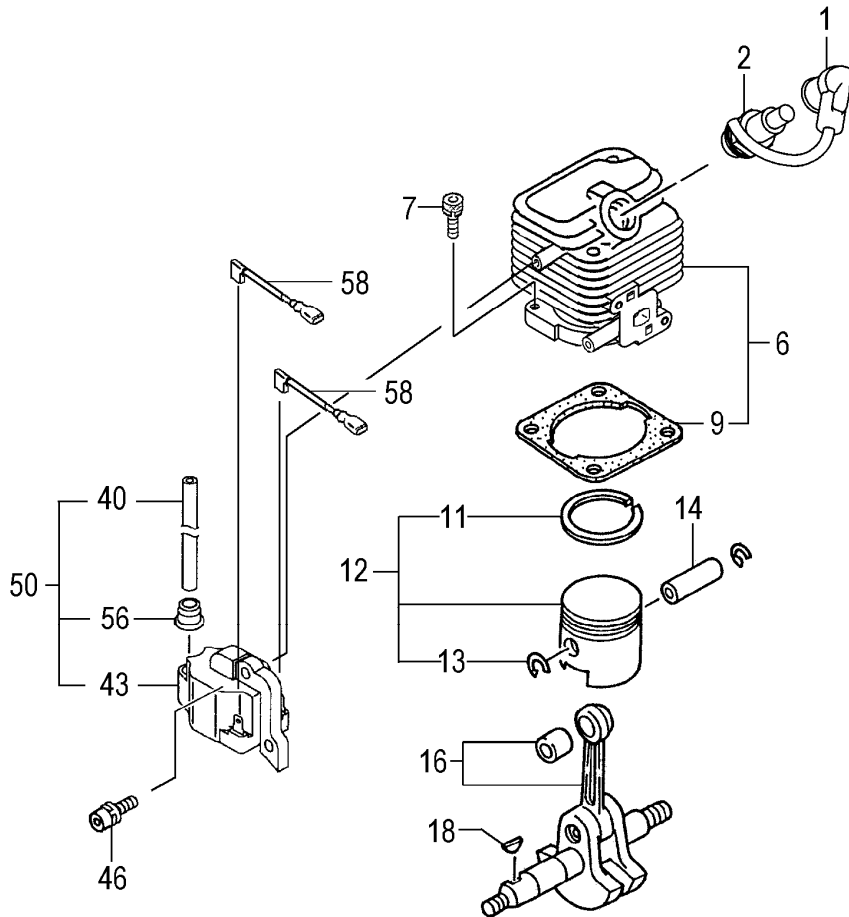
**B43**

***Tanaka***

**TBC-230**

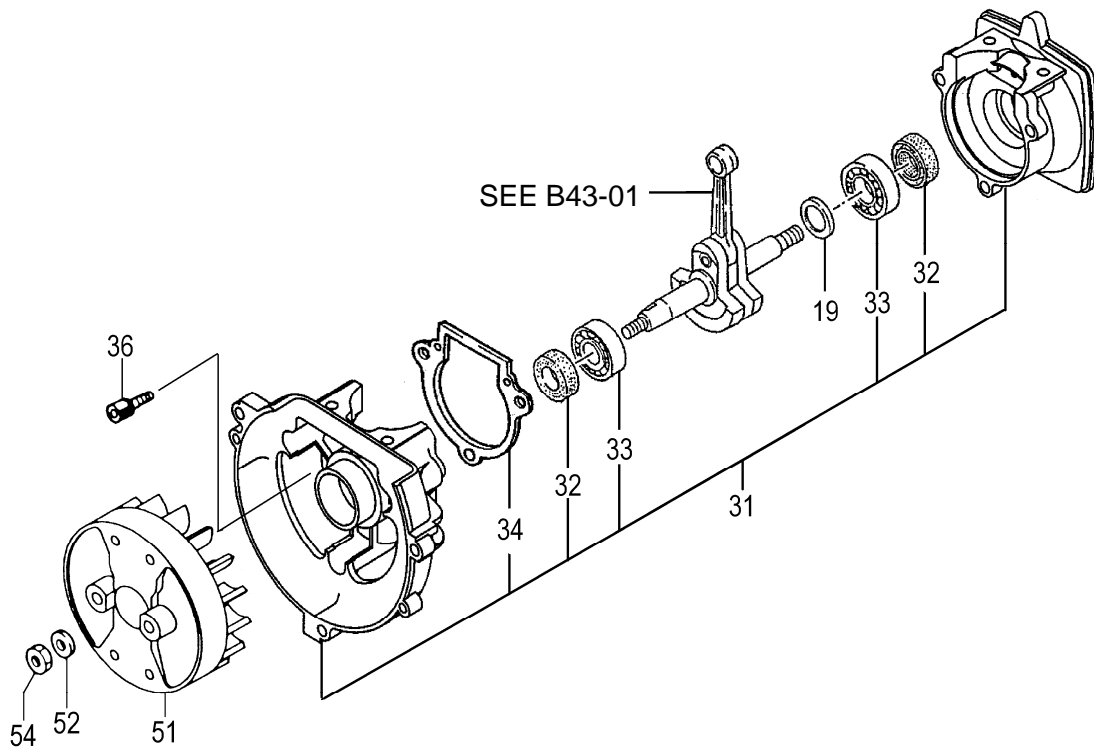
**Serial No.-E034382**

# B43-01 CYLINDER/PISTON/CRANK SHAFT



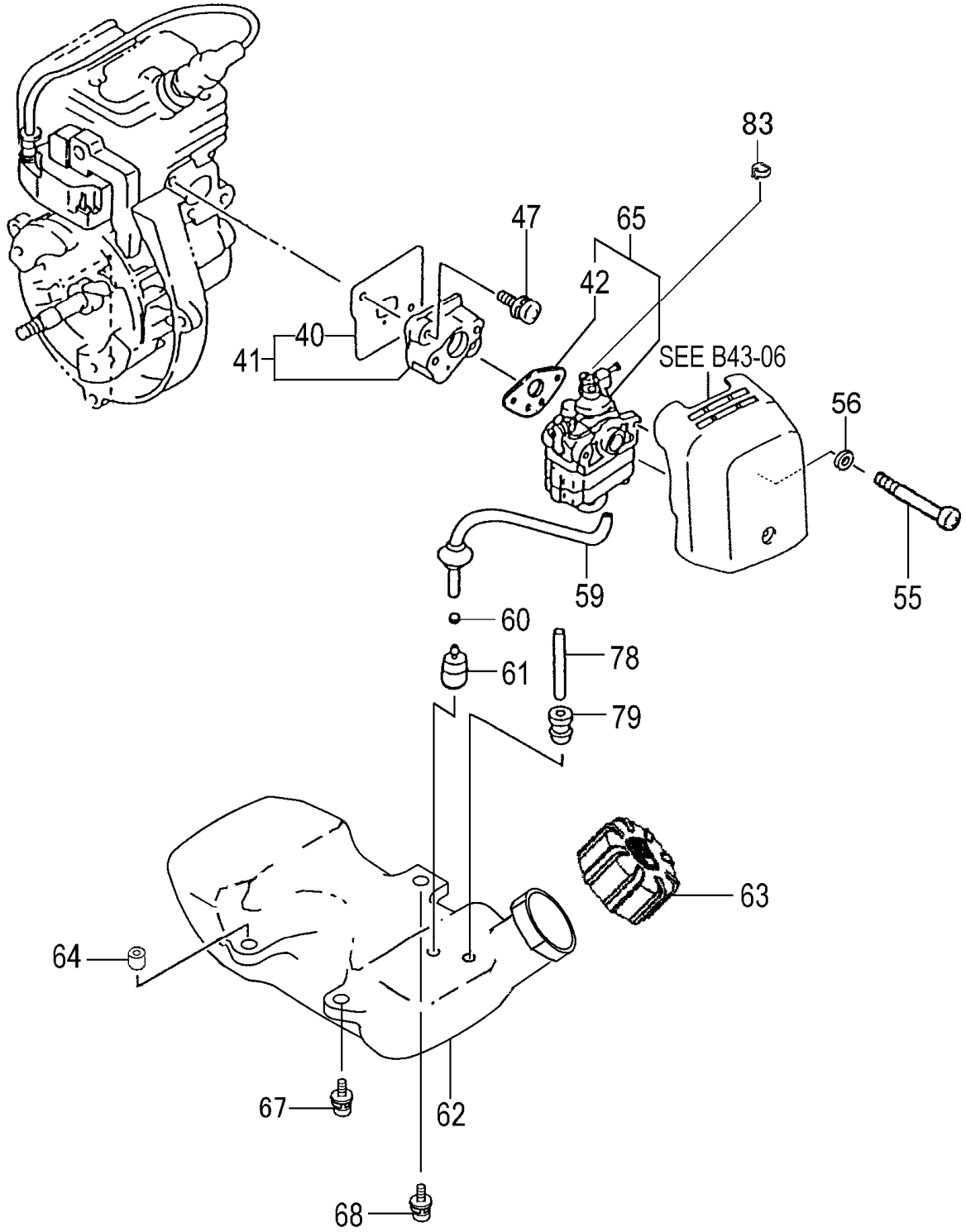
REF. NUMBER	PARTS NUMBER	DESCRIPTION	Q'TY	SERIAL NUMBER
<b>B43-01 CYLINDER/PISTON/CRANK SHAFT</b>				
001	668-7468	SPARK PLUG CAP ASS'Y	1	
002	668-5085	SPARK PLUG BPM6A	1	
006	668-5489	CYLINDER SET	1	
007	668-4586	HEX.HOLE BOLT M5X18/S	2	
009	668-5709	CYLINDER GASKET	1	
011	668-6118	PISTON RING	1	
012	668-5869	PISTON SET	1	
013	668-4590	PISTON PIN CIRCLIP	2	
014	668-6015	PISTON PIN	1	
016	668-6215	CRANK SHAFT COMP.	1	- B063250
016	668-6217	CRANK SHAFT COMP.	1	B063251 -
018	668-4899	WOODRUFF KEY 3X13X4.5	1	- B063250
040	668-7888	HIGH TENSION CORD 140L	1	
043	668-4598	IGNITION COIL COMP.	1	
046	668-4682	HEX.HOLE BOLT 4X15/PS	2	
050	668-7660	IGNITION COIL ASS'Y	1	
056	668-4602	RUBBER CAP	1	
058	668-7826	STOP CORD COMP.	2	

# B43-02 CRANK CASE



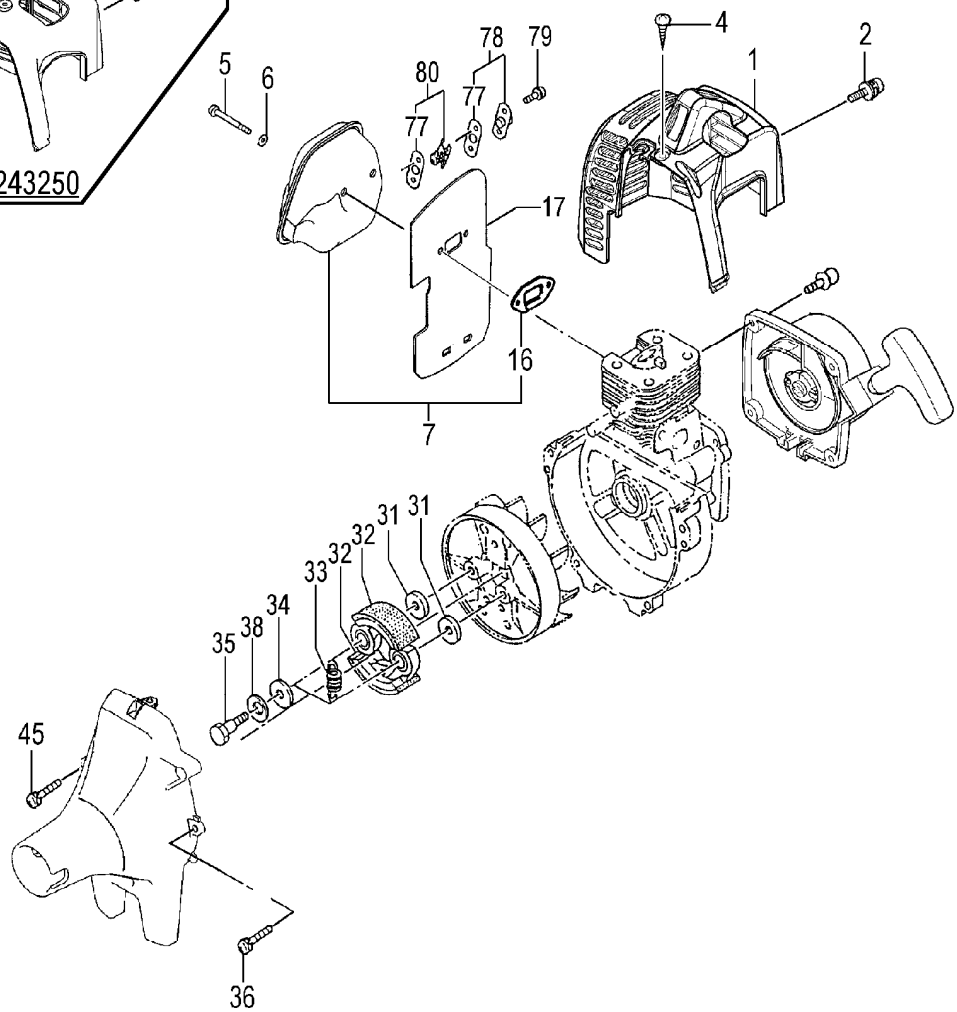
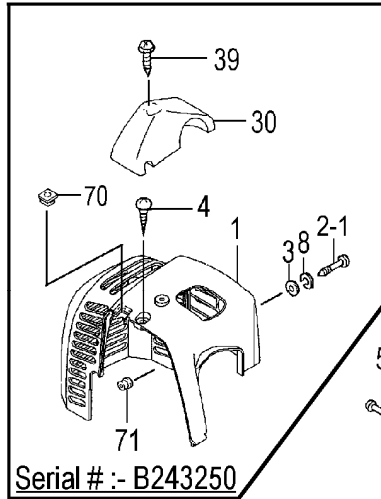
REF. NUMBER	PARTS NUMBER	DESCRIPTION	Q'TY	SERIAL NUMBER
<b>B43-02 CRANK CASE</b>				
019	668-9177	GEAR SHAFT SHIM 0.10	V	
019	668-9178	GEAR SHAFT SHIM 0.15	V	
019	668-4604	GEAR SHAFT SHIM 0.20	V	
019	668-4605	GEAR SHAFT SHIM 0.30	V	
031	668-6583	CRANK CASE ASS'Y	1	- A293600
031	668-6585	CRANK CASE ASS'Y	1	A293601 -
032	668-4607	OIL SEAL TB 12227	2	
033	669-5535	BALL BEARING 6001 C3	2	
034	668-6719	CRANK CASE GASKET	1	
036	668-4586	HEX.HOLE BOLT M5X18/S	3	
051	668-7376	MAGNETO ROTOR COMP	1	- B063250
051	668-7377	MAGNETO ROTOR COMP.	1	B063251 -
052	668-4611	WASHER M8	1	
054	668-4612	HEX.NUT M8	1	

# B43-03 ENGINE-1



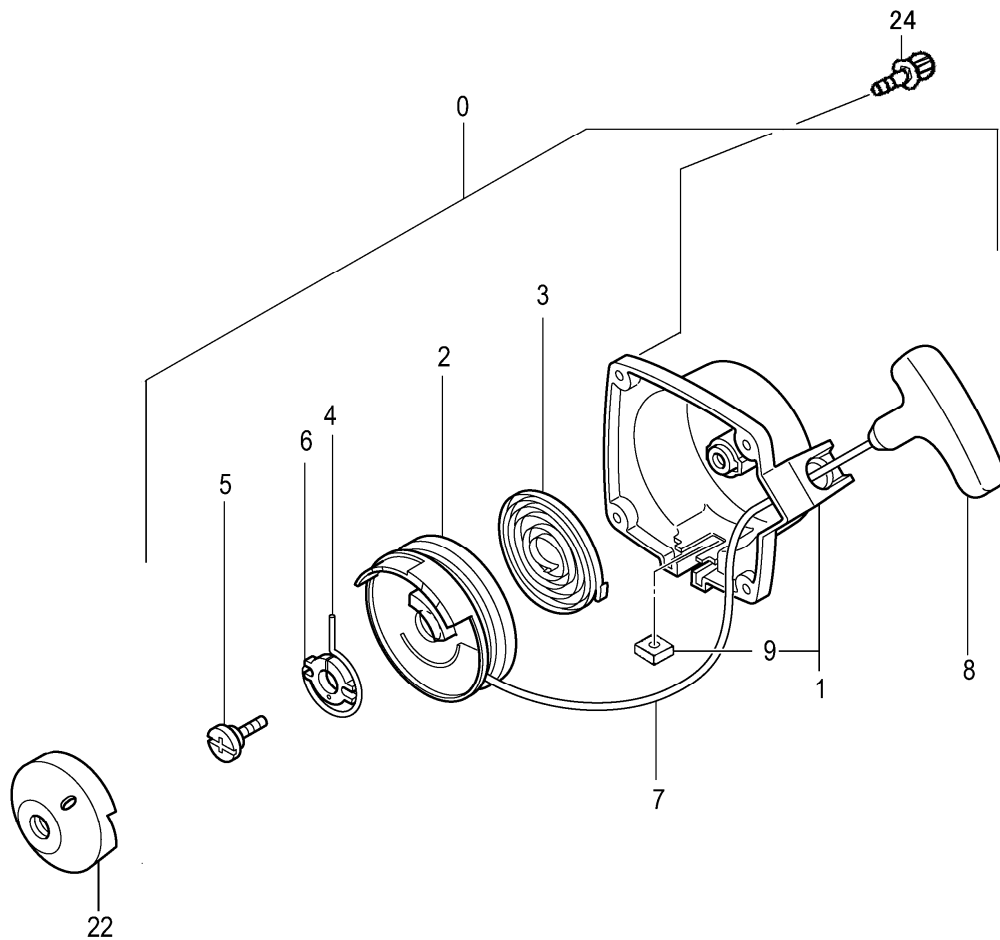
REF. NUMBER	PARTS NUMBER	DESCRIPTION	Q'TY	SERIAL NUMBER
<b>B43-03</b>	<b>ENGINE-1</b>			
040	668-9890	INLET MANIFOLD GASKET	1	
041	668-9914	CARB INSULATOR SET	1	
042	668-4615	CARBURETOR GASKET	1	
047	669-5514	HEX.HOLE BOLT 5X22/WS	2	
055	669-5354	SCREW 5X60/S	2	
056	668-4661	WASHER 5	2	
059	668-8174	SHEELD TUBE	1	
060	668-4619	CLIP,6.3 DIA.	1	
061	668-4620	PUMP FILTER BODY COMP.	1	
062	669-1593	TANK, OR	1	- D003100
<b>062</b>	669-1595	TANK(EVAPO)	<b>1</b>	<b>D003101</b> -
063	669-1748	TANK CAP D ASS'Y	1	
064	669-2244	COLLAR 5.8	3	
065	669-0512	CARBURETOR SET WYL182	1	
067	669-5504	HEX.HOLE BOLT 5X16/PS	2	
068	669-5516	SCREW 5X20WS	1	
078	668-4880	FUEL PIPE 3X5X80	1	
079	668-4627	RETURN GROMMET	1	
083	668-4628	SWIVEL CAP	1	A263351 -

# B43-04 ENGINE-2



REF. NUMBER	PARTS NUMBER	DESCRIPTION	Q'TY	SERIAL NUMBER
<b>B43-04</b>	<b>ENGINE-2</b>			
001,1	669-2798	MUFFLER PROTECTOR	1	- B205032
001	669-2809	MUFFLER PROTECTOR BLACK	1	B205033 -
002,1	668-9738	SPECIAL SCREW	1	- A293600
002	669-5373	SCREW 4X15PS	1	A293601 -
003	668-4632	WASHER 4	1	- A293600
004	668-4637	TAPPING SCREW D4.5X12	1	
005	668-5114	HEX. SOCKET HD. BOLT M5X50	2	
006	668-4918	WASHER M5	2	
007	669-2496	MUFFLER SET	1	
008	668-4633	S.WASHER 4	1	- A293600
016	669-2745	MUFFLER GASKET	1	
017	668-7253	HEAT SHIELD	1	
030	668-8350	SPARK PLUG COVER, BLACK	1	- B205032
031	668-4642	CLUTCH WASHER B	2	
032	668-8616	CLUTCH SHOE COMP.,T-16	2	
033	668-9430	CLUTCH SPRING	1	
034	668-4645	CLUTCH PLATE A 0.5	2	
035	668-9627	STEP BOLT	2	
036	668-4647	HEX.HOLE BOLT M5X18/WS	2	
038	668-4648	BENT WASHER 8	2	
039	668-5191	TAPPING SCREW D4.5X20	1	- B205032
045	668-4973	HEX.HOLE BOLT M5X30/WS	1	
063	668-8011	CORD CLAMP COMP.	1	
070	668-8040	GROMMET	1	- B205032
071	668-5631	COVER COLLAR	1	- A293600
077	669-2883	MUFFLER SPECIAL GASKET	2	
078	669-2709	EXHAUST PIPE SET, SPARE	1	
079	668-5109	MACHINE SCREW (W/SP. WASHER)	2	
080	669-2688	MUFFLER WIRE NET SET	1	

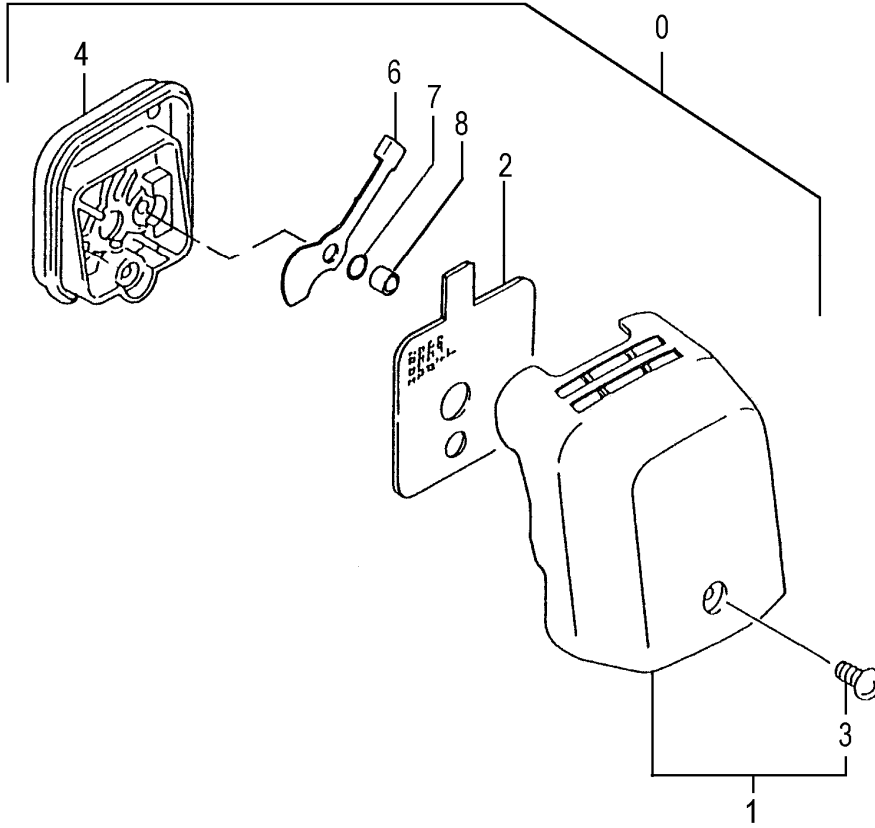
# B43-05 RECOIL STARTER



REF. NUMBER	PARTS NUMBER	DESCRIPTION	Q'TY	SERIAL NUMBER
<b>B43-05 RECOIL STARTER</b>				
000	668-4938	RECOIL STARTER BODY ASS'Y	1	
001	668-4944	RECOIL STARTER BODY COMP.	1	
002	668-4941	STARTER ROPE REEL	1	
003	668-4942	RECOIL SPRING	1	
004	668-4940	SWING ARM	1	
005	668-4679	SET SCREW	1	
006	668-4939	PULLEY STAY	1	
007	668-4943	ROPE 3.0X800	1	
008	668-4680	STARTER HANDLE	1	
009	668-5000	SPECIAL NUT M5	1	
022	668-4937	STARTER PULLEY	1	
024	668-4682	HEX.HOLE BOLT 4X15/PS	4	

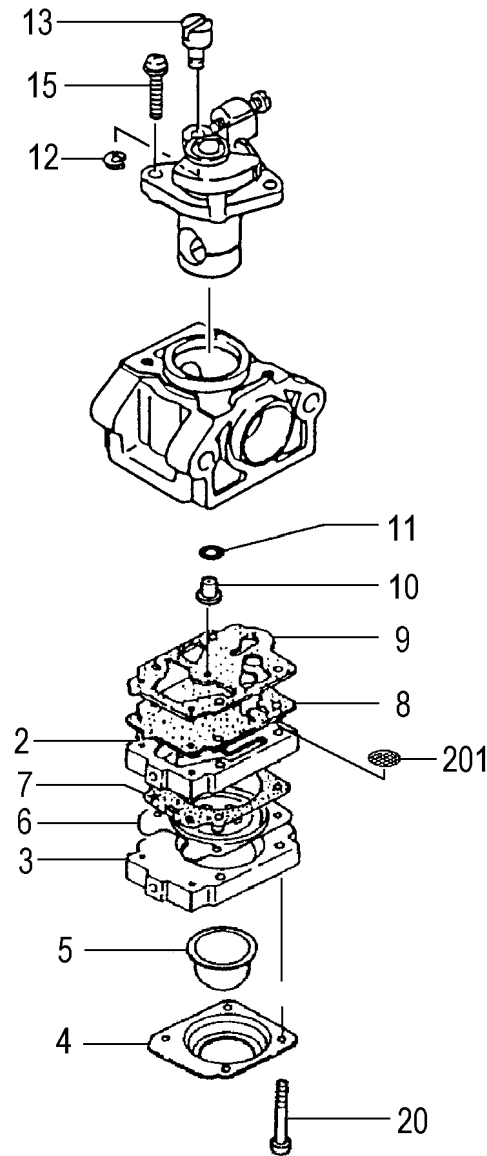


# B43-06 AIR CLEANER



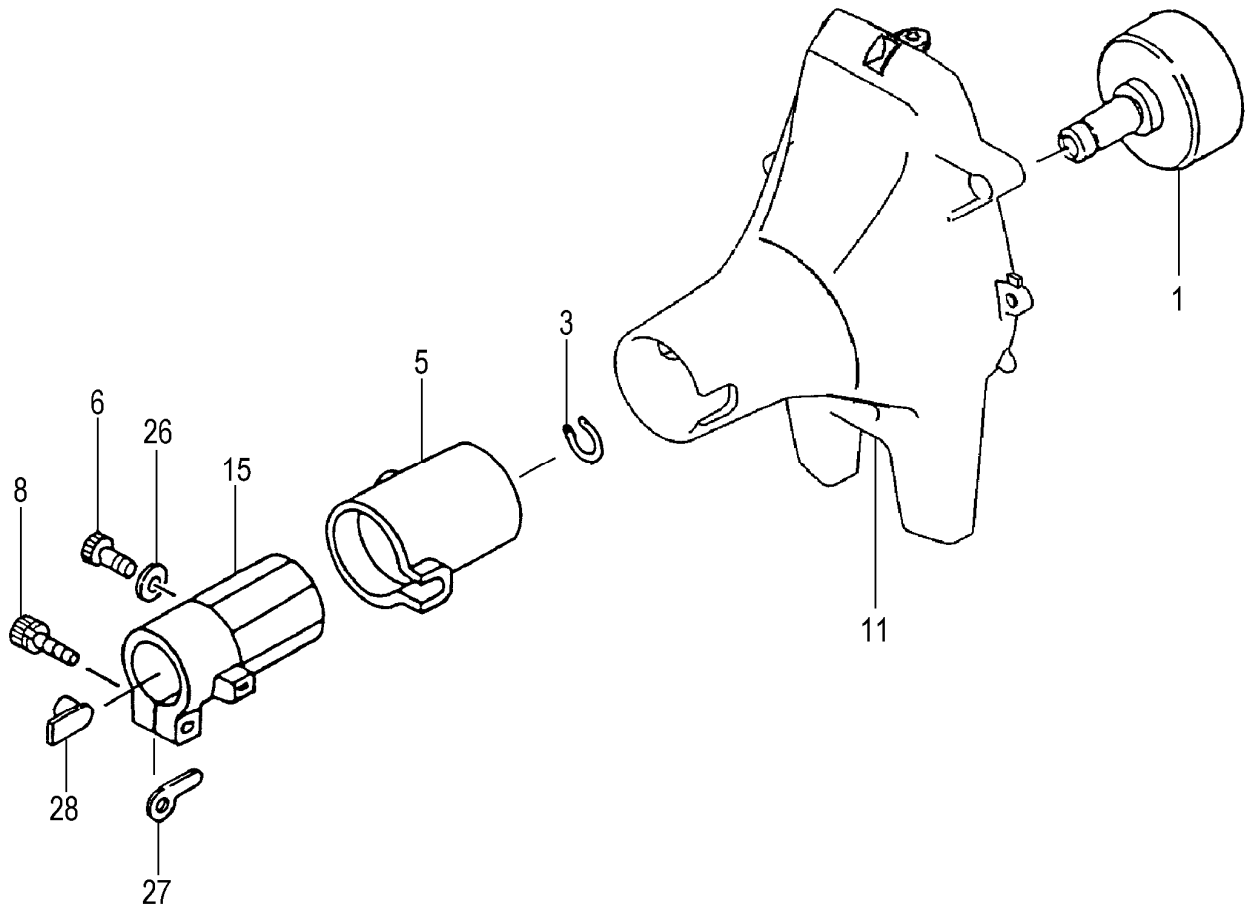
REF. NUMBER	PARTS NUMBER	DESCRIPTION	Q'TY	SERIAL NUMBER
<b>B43-06</b>	<b>AIR CLEANER</b>			
000	669-0048	CLEANER ASSY	1	
001	669-0391	CLEANER COVER SET	1	
002	668-4654	AIR CLEANER ELEMENT	1	
003	668-9737	SPECIAL SCREW	1	
004	668-4656	CLEANER BODY COMP.	1	
006	669-6098	CHOKE VALVE COMP.	1	
007	668-4658	WAVE WASHER 8	1	
008	668-4659	COLLAR 8	1	

# B43-07 CARBURETOR



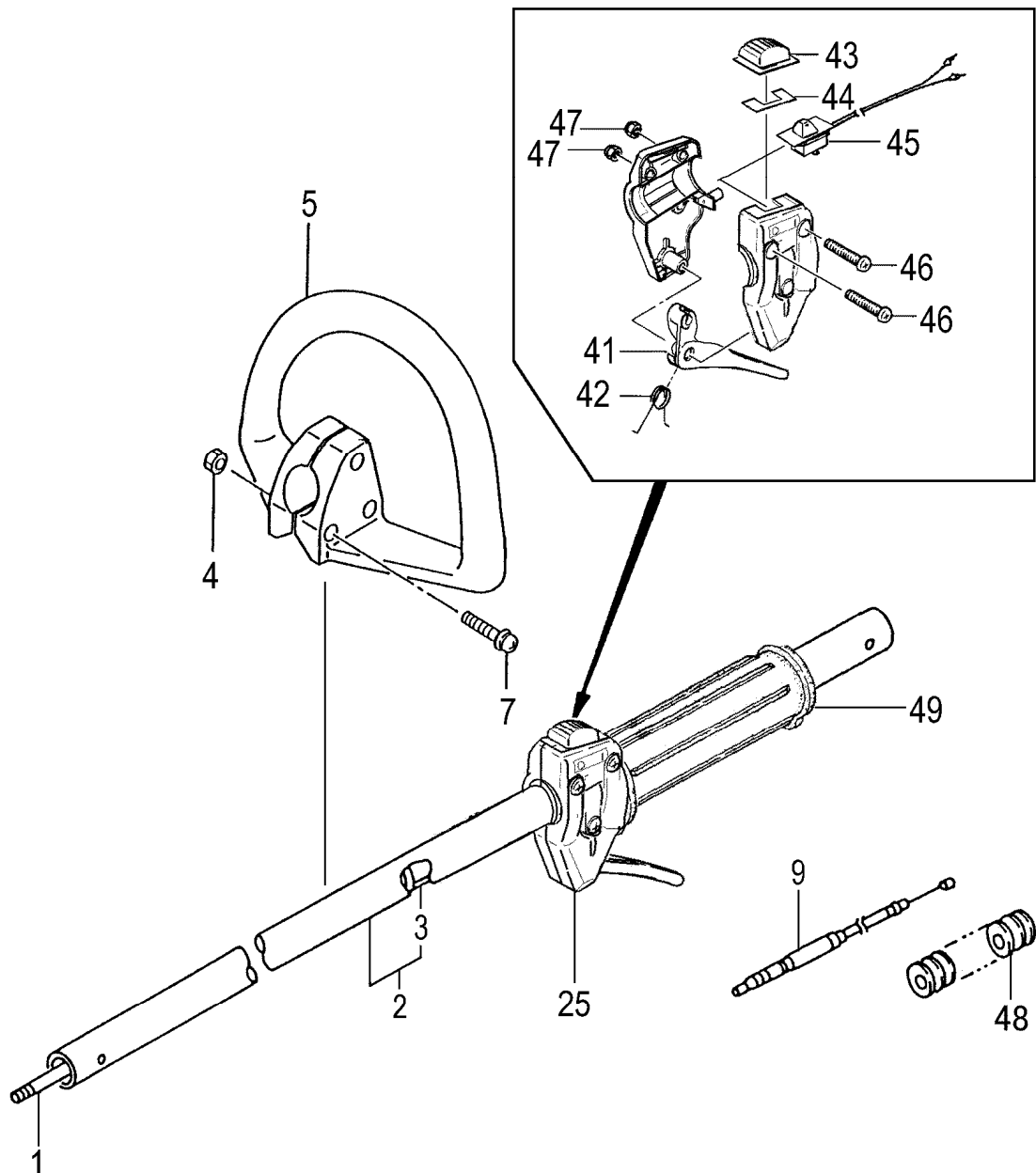
REF. NUMBER	PARTS NUMBER	DESCRIPTION	Q'TY	SERIAL NUMBER
<b>B43-07 CARBURETOR</b>				
002	668-4879	PUMP BODY COMP.	1	
003	668-4687	PRIMING PUMP COMP.	1	
004	668-4688	DIAPHRAGM COVER	1	
005	668-4689	PRIMING BODY	1	
006	669-0830	METERING DIAPHRAGM COMP.	1	
007	668-4691	DIAPHRAGM GASKET	1	
008	668-4693	PUMP DIAPHRAGM	1	
009	669-1457	PUMP GASKET	1	
010	669-1844	MAIN JET #38	1	
011	668-4695	O-RING	1	
012	668-4696	STOP RING	1	
013	668-4697	SWIVEL	1	
015	668-4698	THROTTLE SET SCREW	2	
020	668-4699	SET SCREW	4	
201	668-4700	INLET SCREEN	1	
	669-2191	CARB. REPAIR KIT, K10-WYL	1	
	669-2200	GASKET/DIA. KIT, D10WYL	1	

# B43-08 FAN CASE



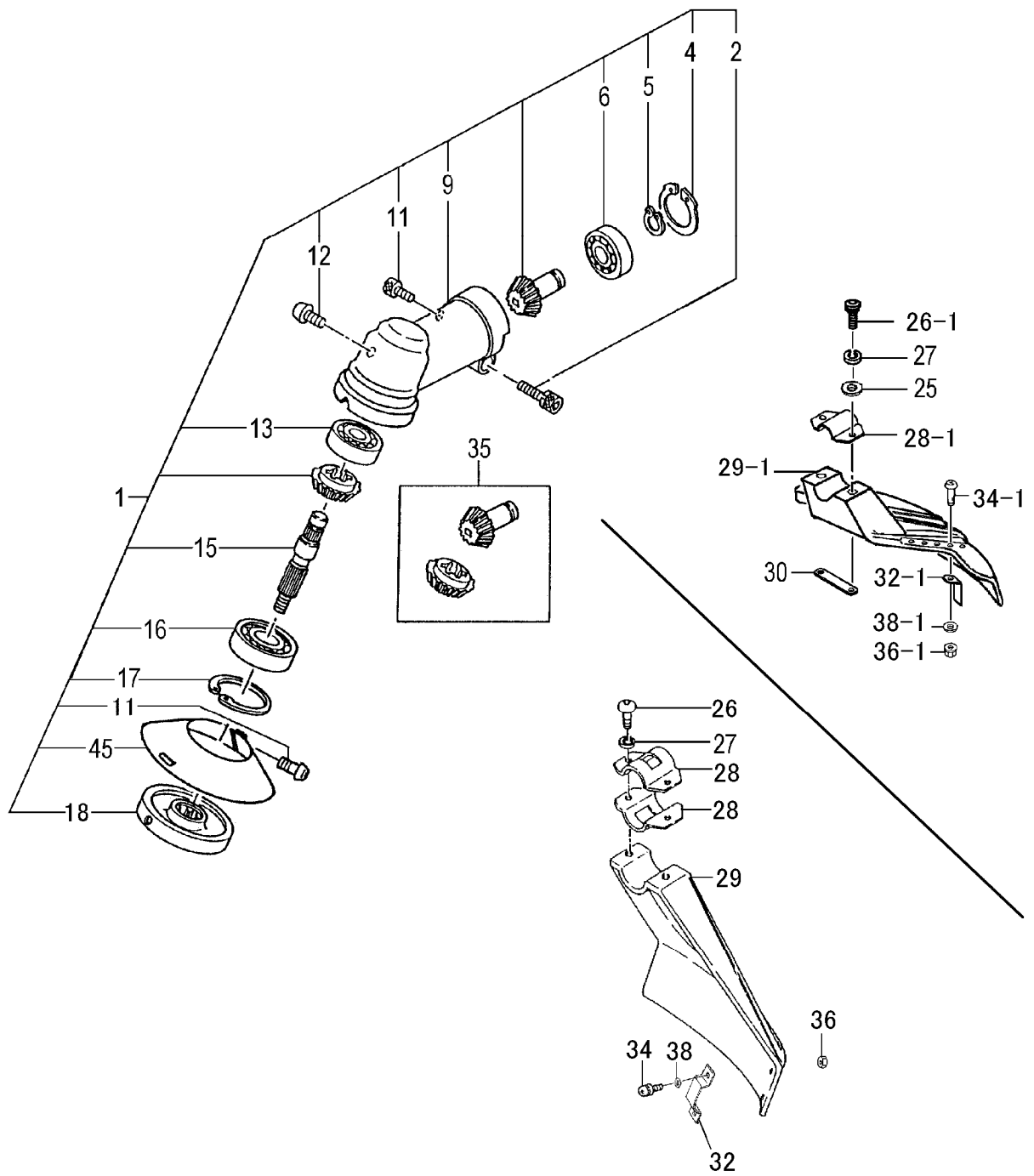
REF. NUMBER	PARTS NUMBER	DESCRIPTION	Q'TY	SERIAL NUMBER
<b>B43-08 FAN CASE</b>				
001	668-8601	CLUTCH SHAFT CAMP.	1	
003	668-4664	STOP RING C-12 OUTER	1	
005	669-1839	ANTI-VIBE RUBBER	1	
006	669-5046	HEX. HOLE BOLT 5X16	1	
008	668-4709	HEX.HOLE BOLT M5X25/S	1	
011	668-7029	FAN CASE, OR	1	
015	668-9651	PIPE HOLDER, TPE	1	
026	668-4918	WASHER M5	1	
027	668-9159	GEAR CASE WASHER	1	
028	668-9664	METAL FITTING	1	

# B43-09 OPERATION PIPE/THROTTLE LEVER



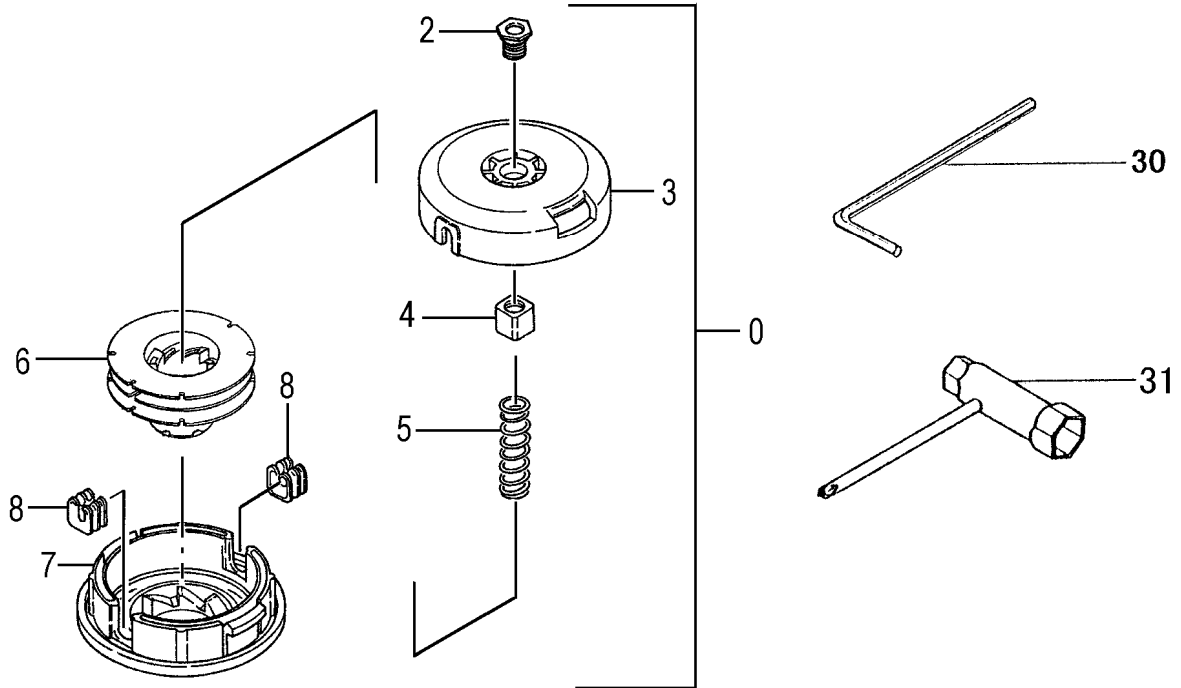
REF. NUMBER	PARTS NUMBER	DESCRIPTION	Q'TY	SERIAL NUMBER
<b>B43-09 OPERATION PIPE/THROTTLE LEVER</b>				
001	668-9479	DRIVE SHAFT 1480L	1	
002	668-9410	DRIVE SHAFT PIPE COMP.1450L	1	
003	668-4831	BUSH ASS'Y	5	
004	668-5075	NUT M5 (BLACK)	3	
005	669-1057	FRONT HANDLE 24	1	
007	668-4997	SCREW M5X30WS	3	
009	669-3983	THROTTLE WIRE	1	
025	669-3770	THROTTLE LEVER ASS'Y 24	1	
041	668-5006	THROTTLE LEVER	1	
042	668-4998	RETURN SPRING	1	
043	668-5009	STOP SWITCH	1	
044	668-5003	SWITCH MARK	1	
045	668-7462	STOP SWITCH COMP.	1	
046	668-5076	MACHINE SCREW M5X30	3	
047	668-4965	NUT M5	3	
048	668-5007	PROTECTION TUBE D7X170	1	
049	669-1183	SHAFT GRIP	1	

# B43-10 GEAR CASE/SAFETY GUARD



REF. NUMBER	PARTS NUMBER	DESCRIPTION	Q'TY	SERIAL NUMBER
<b>B43-10 GEAR CASE/SAFETY GUARD</b>				
001	668-8819	GEAR CASE ASS'Y,24 DIA.	1	
002	668-4709	HEX.HOLE BOLT M5X25/S	1	
004	668-4732	STOP RING C-24,INNER	1	
005	669-5281	STOP RING C-9, OUTER	1	
006	668-4735	BALL BEARING 609Z ST	1	
009	668-8815	GEAR CASE 24	1	
011	669-5414	SCREW 5X12/W.S	2	
012	668-9109	OILING BOLT	1	
013	669-5567	BALL BEARING 626 , 19MM/OD	1	
015	668-8949	GEAR SHAFT	1	
016	669-5527	BALL BEARING 6000D, 26MM/OD	1	
017	669-5294	STOP RING C-26, INNER	1	
018	668-9033	CUTTER HOLDER	1	
025	669-5194	WASHER 6	2	A314251 -
025	669-5194	WASHER 6	2	- B138800
026	668-5064	HEX. SOCKET HD. BOLT (W/BUTTON)	2	- B063250
026,1	669-5518	HEX.HOLE BUTTON SCREW 6X30S	2	- B138800
026	668-5064	HEX. SOCKET HD. BOLT (W/BUTTON)	2	B138801 -
027	668-4826	S.WASHER 6	2	
028	668-5065	SAFETY GUARD BRACKET	2	- A314250
028,1	669-0316	SAFETY GUARD BRACKET	1	- B138800
028	668-5065	SAFETY GUARD BRACKET	2	B138801 -
029	668-5066	SAFETY COVER COMP.	1	- A314250
029,1	669-0273	SAFETY COER	1	- B138800
029	668-5066	SAFETY COVER COMP.	1	B138801 -
030	669-0344	SAFETY GUARD HOLDER	1	A314251 -
030	669-0344	SAFETY GUARD HOLDER	1	- B138800
032	668-5067	KNIFE	1	- A314250
032,1	668-4750	KNIFE	1	- B138800
032	668-5067	KNIFE	1	B138801 -
034	668-5068	MACHINE SCREW (W/SP. WASHER) M	2	- A314250
034,1	669-4888	SCREW 5X15	1	- B138800
034	668-5068	MACHINE SCREW (W/SP. WASHER) M	2	B138801 -
035	668-8883	GEAR/PINION SET	1	
036	668-5069	NUT M4	2	- A314250
036,1	669-5157	U-NUT 5	1	- B138800
036	668-5069	NUT M4	2	B138801 -
038	668-5070	BOLT WASHER M4	2	- A314250
038,1	668-4661	WASHER 5	1	- B138800
038	668-5070	BOLT WASHER M4	2	B138801 -
045	668-8917	GEAR CASE COVER	1	

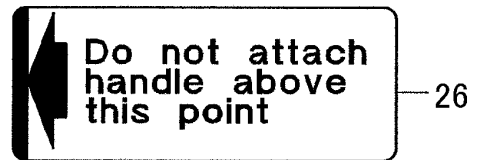
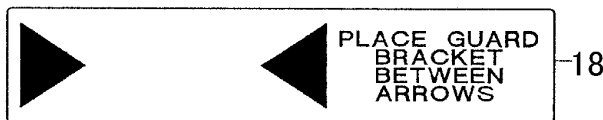
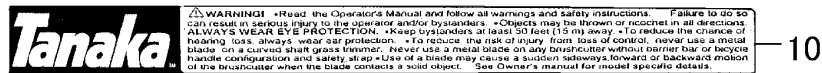
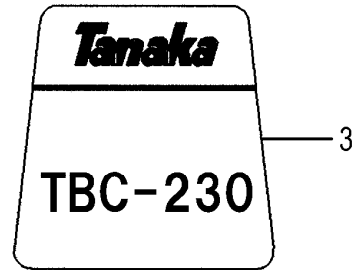
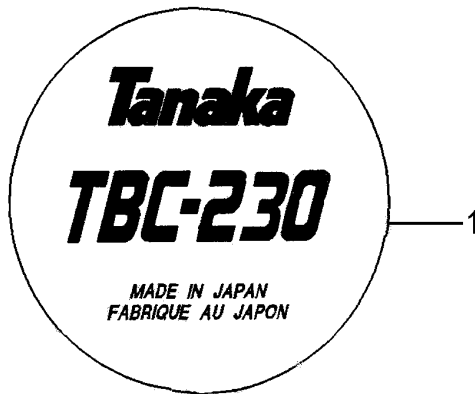
# B43-11 TOOLS & NYLON HEAD



REF. NUMBER	PARTS NUMBER	DESCRIPTION	Q'TY	SERIAL NUMBER
<b>B43-11 TOOLS &amp; NYLON HEAD</b>				
000	669-3221	NYLON HEAD/SURE TAP,M8-NUT	1	
002	668-9624	MOUNTING NUT L-M8X1.25	1	
003	668-4757	CUTTING BODY	1	
004	668-4758	SPECIAL NUT	1	
005	668-4759	REEL SPRING	1	
006	668-4760	SPOOL	1	
007	668-4761	CUTTING BODY CAP	1	
008	668-4762	EYELET	2	
030	669-3524	HEX. WRENCH 4	1	
031	668-4979	COMBI BOX SPANNER 13X19 PLU	1	



# B43-12 LABELS



REF. NUMBER	PARTS NUMBER	DESCRIPTION	Q'TY	SERIAL NUMBER
<b>B43-12</b>	<b>LABELS</b>			
001	669-4220	NAME PLATE TBC-230	1	
003	669-4639	SYMBOL MARK TBC-230	1	
004,1	668-4851	LEVEL MARK	1	- B063250
004	669-4581	LEVEL MARK	1	B063251 -
010	668-5056	CAUTION MARK	1	
018	668-5061	LEVEL MARK	1	- A314250
018	668-5061	LEVEL MARK	1	B138801 -
026	668-4852	LEVEL MARK	1	