

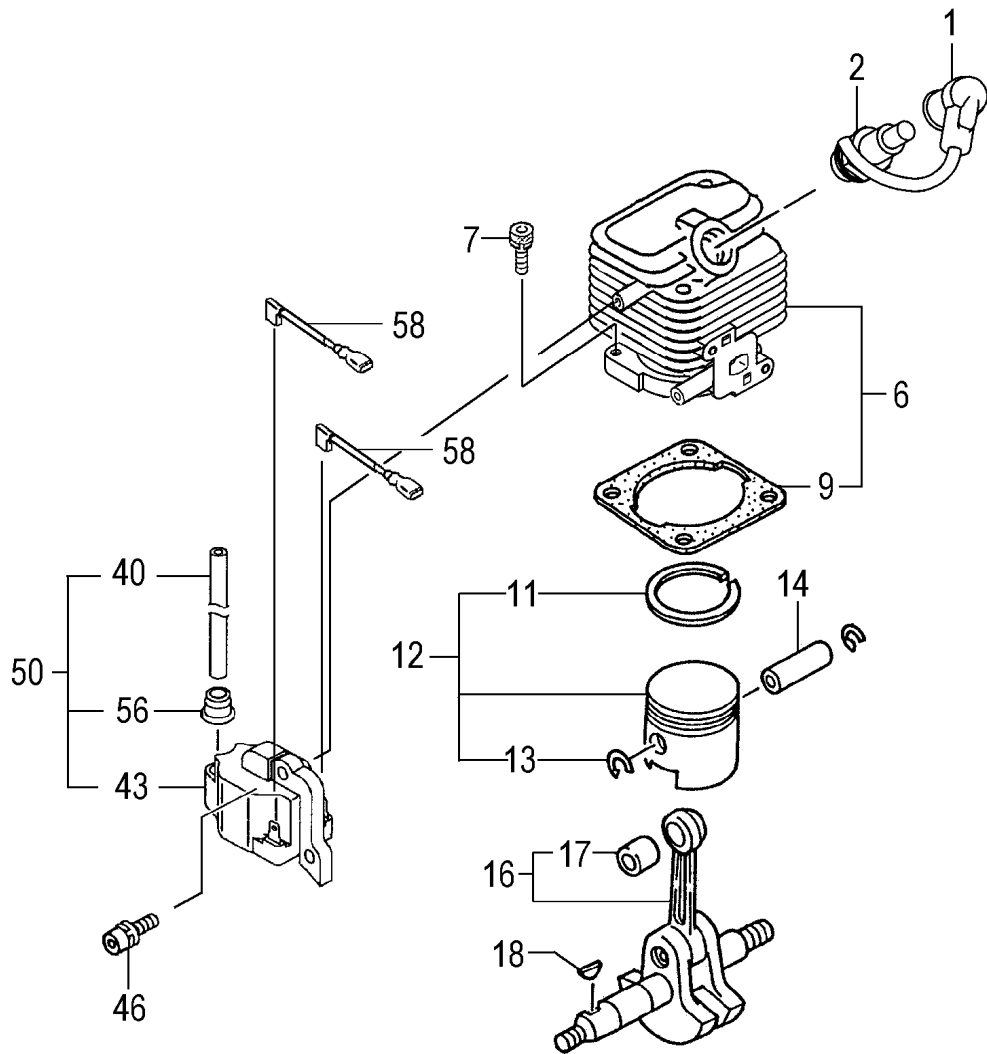
B42

Tanaka

TBC-230B

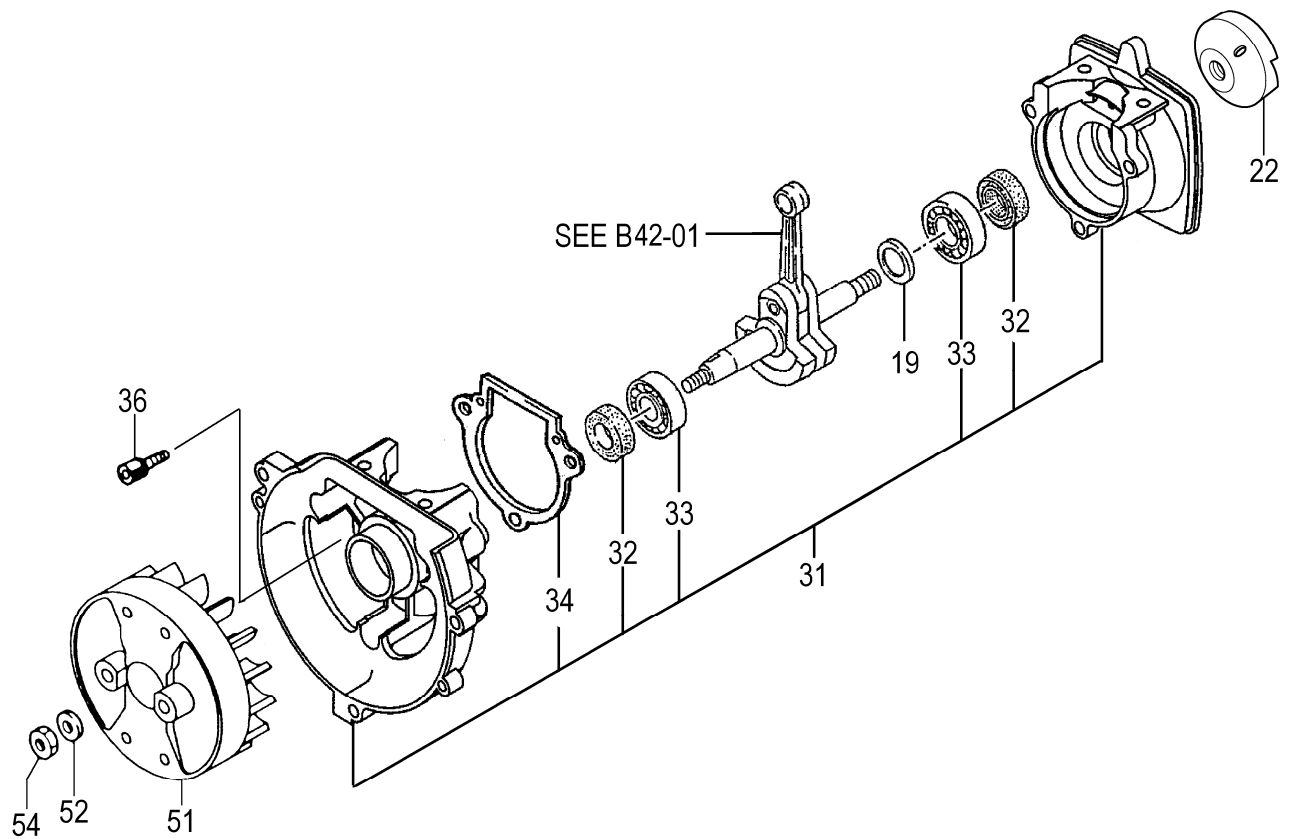
Serial No.- B165850

B42-01 CYLINDER/PISTON/CRANK SHAFT



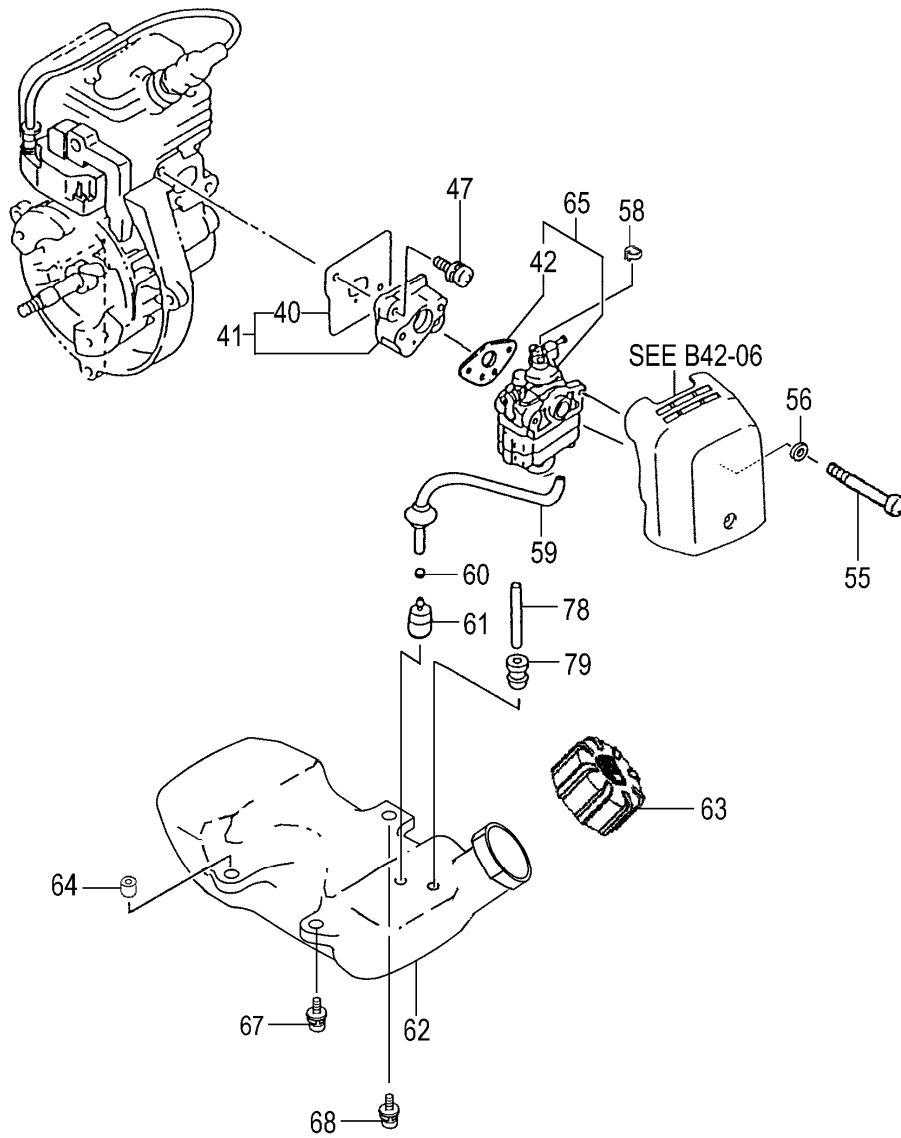
REF. NUMBER	PARTS NUMBER	DESCRIPTION	Q'TY	SERIAL NUMBER
B42-01 CYLINDER/PISTON/CRANK SHAFT				
001	668-7468	SPARK PLUG CAP ASS'Y	1	
002	668-5085	SPARK PLUG BPM6A	1	
006	668-5489	CYLINDER SET	1	
007	668-4586	HEX.HOLE BOLT M5X18/S	2	
009	668-5709	CYLINDER GASKET	1	
011	668-6118	PISTON RING	1	
012	668-5869	PISTON SET	1	
013	668-4590	PISTON PIN CIRCLIP	2	
014	668-6015	PISTON PIN	1	
016	668-6215	CRANK SHAFT COMP.	1	- B120800
016	668-6216	CRANK SHAFT COMP.	1	B120801 -
017	669-5590	NEEDLE BEARING HK0810B	1	
018	668-4899	WOODRUFF KEY 3X13X4.5	1	- B120800
040	668-7887	CORD B140M	1	
043	668-4598	IGNITION COIL COMP.	1	
046	668-4682	HEX.HOLE BOLT 4X15/PS	2	
050	668-7660	IGNITION COIL ASS'Y	1	
056	668-4602	RUBBER CAP	1	
058	668-7826	STOP CORD COMP.	2	

B42-02 CRANK CASE



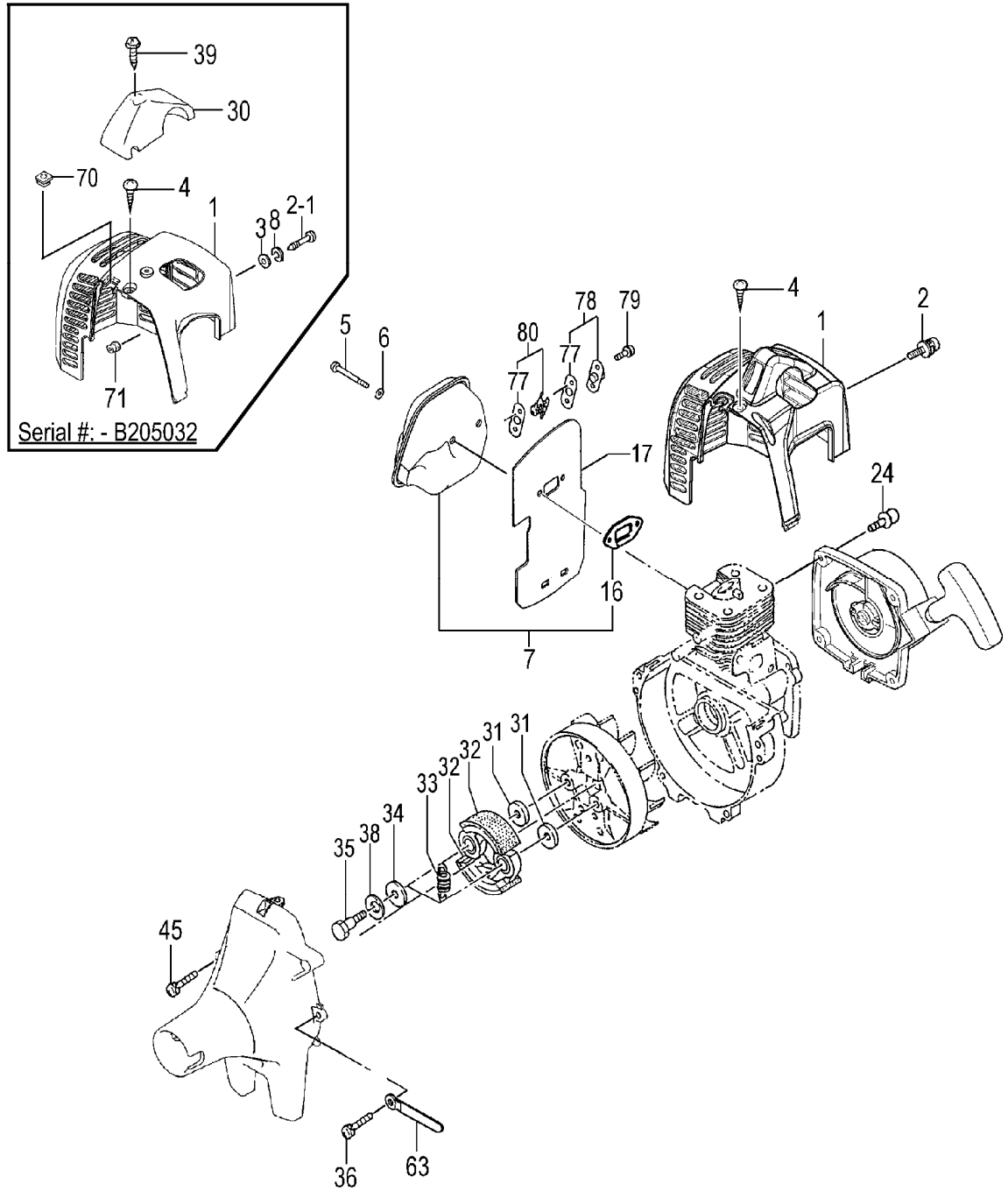
REF. NUMBER	PARTS NUMBER	DESCRIPTION	Q'TY	SERIAL NUMBER
B42-02 CRANK CASE				
019	668-9177	GEAR SHAFT SHIM 0.10	V	
019	668-9178	GEAR SHAFT SHIM 0.15	V	
019	668-4604	GEAR SHAFT SHIM 0.20	V	
019	668-4605	GEAR SHAFT SHIM 0.30	V	
022	668-4937	STARTER PULLEY	1	
031	668-6583	CRANK CASE ASS'Y	1	- A314550
031	668-6585	CRANK CASE ASS'Y	1	A314551 -
032	668-4607	OIL SEAL TB 12227	2	
033	669-5535	BALL BEARING 6001 C3	2	
034	668-6719	CRANK CASE GASKET	1	
036	668-4586	HEX.HOLE BOLT M5X18/S	3	
051	668-7376	MAGNETO ROTOR COMP	1	- B120800
051	668-7377	MAGNETO ROTOR COMP.	1	B120801 -
052	668-4611	WASHER M8	1	
054	668-4612	HEX.NUT M8	1	

B42-03 ENGINE-1



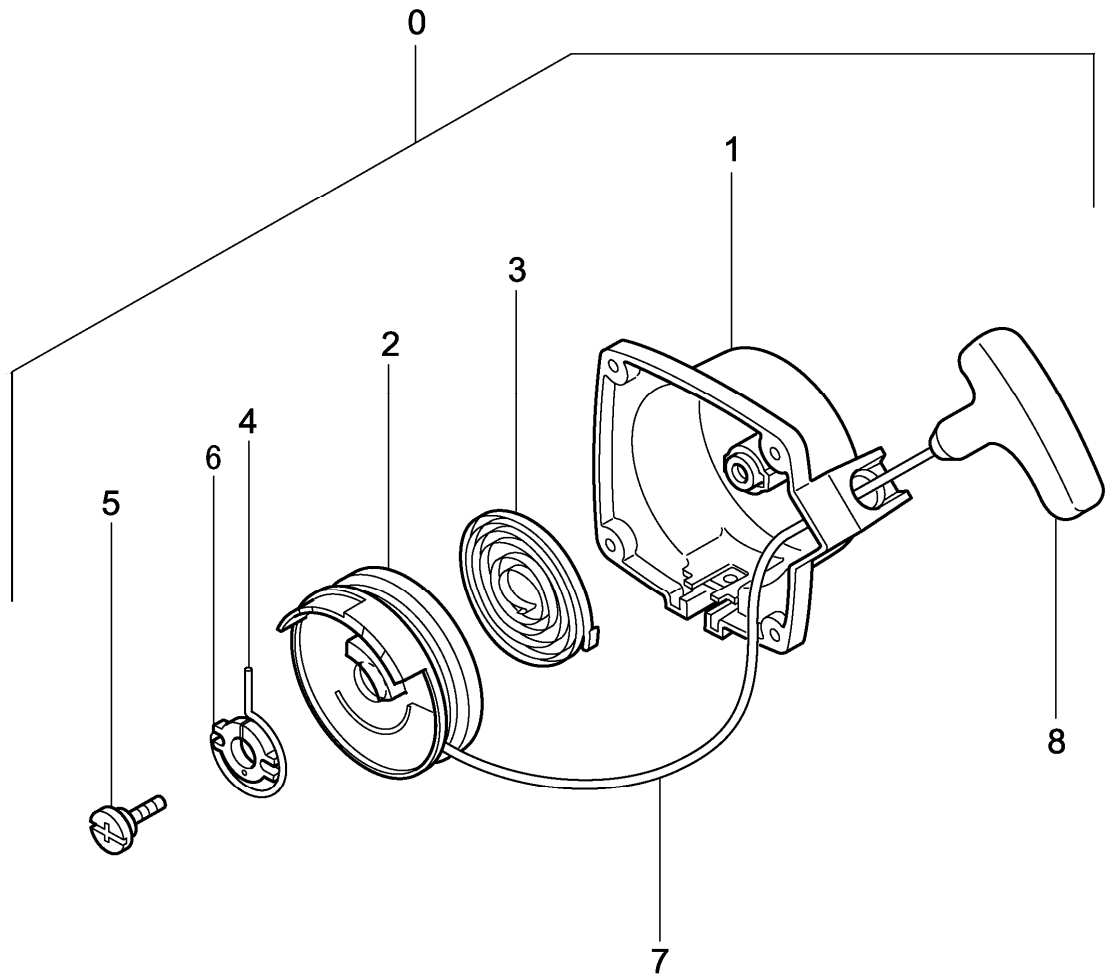
REF. NUMBER	PARTS NUMBER	DESCRIPTION	Q'TY	SERIAL NUMBER
B42-03	ENGINE-1			
040	668-9890	INLET MANIFOLD GASKET	1	A211451 -
041	668-9914	CARB INSULATOR SET	1	
042	668-4615	CARBURETOR GASKET	1	
047	669-5514	HEX.HOLE BOLT 5X22/WS	2	
055	669-5354	SCREW 5X60/S	2	
056	668-4661	WASHER 5	2	
058	668-4628	SWIVEL CAP	1	
059	668-8174	SHEILD TUBE	1	
060	668-4619	CLIP,6.3 DIA.	1	
061	668-4620	PUMP FILTER BODY COMP.	1	
062	669-1593	TANK, OR	1	
063	669-1748	TANK CAP D ASS'Y	1	
064	669-2244	COLLAR 5.8	3	
065	669-0512	CARBURETOR SET WYL182	1	
067	669-5504	HEX.HOLE BOLT 5X16/PS	2	
068	669-5516	SCREW 5X20WS	1	
078	668-4880	FUEL PIPE 3X5X80	1	
079	668-4627	RETURN GROMMET	1	

B42-04 ENGINE-2



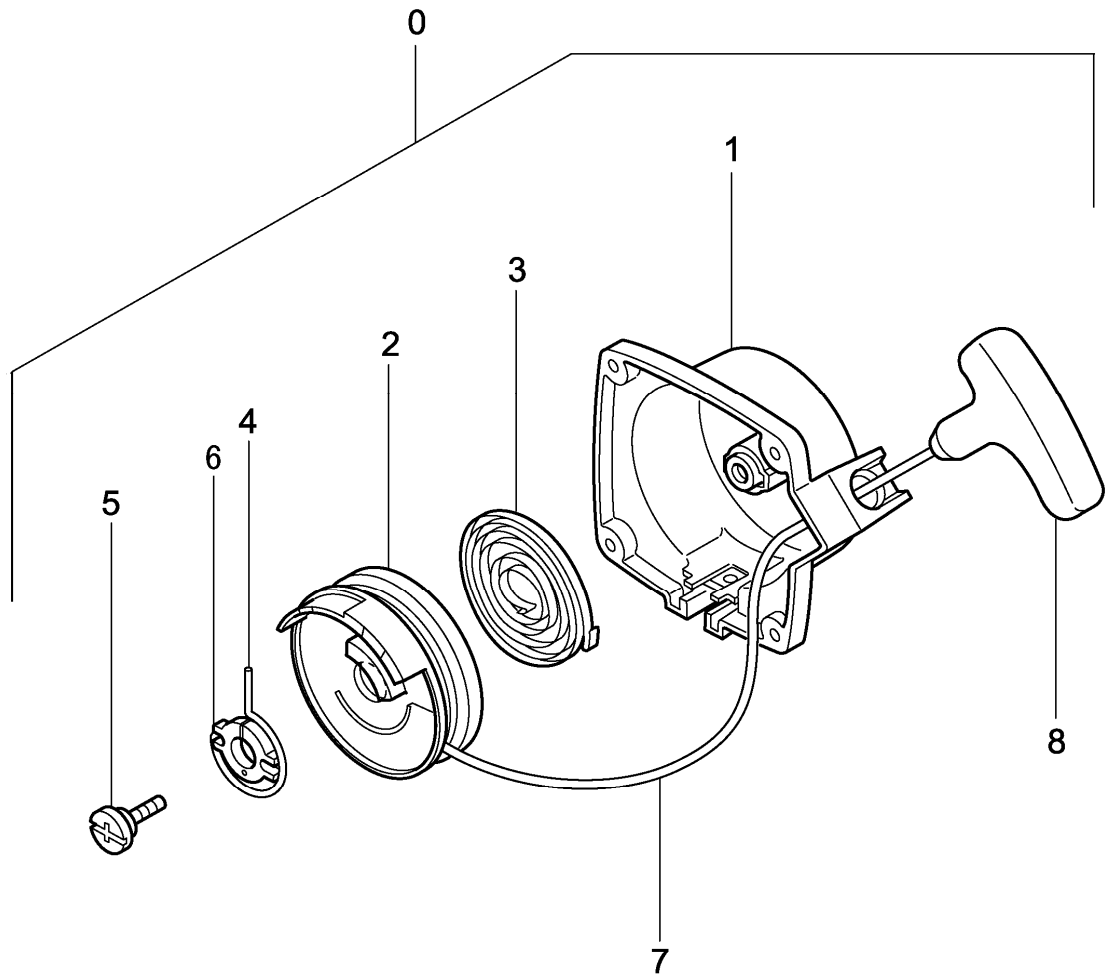
REF. NUMBER	PARTS NUMBER	DESCRIPTION	Q'TY	SERIAL NUMBER
B42-04	ENGINE-2			
001	669-2809	MUFFLER PROTECTOR BLACK	1	
002,1	668-9738	SPECIAL SCREW	1	- A314550
002	669-5373	SCREW 4X15PS	1	A314551 -
003	668-4632	WASHER 4	1	- A314550
004	668-4637	TAPPING SCREW D4.5X12	1	
005	668-5114	HEX. SOCKET HD. BOLT M5X50	2	
006	668-4918	WASHER M5	2	
007	669-2496	MUFFLER SET	1	
008	668-4633	S.WASHER 4	1	- A314550
016	669-2745	MUFFLER GASKET	1	
017	668-7253	HEAT SHIELD	1	
024	668-4682	HEX.HOLE BOLT 4X15/PS	4	
030	668-8350	SPARK PLUG COVER, BLACK	1	- B205032
031	668-4642	CLUTCH WASHER B	2	
032	668-8616	CLUTCH SHOE COMP.,T-16	2	
033	668-9430	CLUTCH SPRING	1	
034	668-9529	CLUTCH PLATE A.0.3	2	
035	668-9627	STEP BOLT	2	
036	668-4647	HEX.HOLE BOLT M5X18/WS	2	
038	668-4648	BENT WASHER 8	2	
039	668-5191	TAPPING SCREW D4.5X20	1	- B205032
045	668-4973	HEX.HOLE BOLT M5X30/WS	1	
063	668-8011	CORD CLAMP COMP.	1	
070	668-8040	GROMMET	1	- B205032
071	668-5631	COVER COLLAR	1	- A314550
077	669-2883	MUFFLER SPECIAL GASKET	2	
078	669-2709	EXHAUST PIPE SET, SPARE	1	
079	668-5109	MACHINE SCREW (W/SP. WASHE	2	
080	669-2688	MUFFLER WIRE NET SET	1	

B42-05 RECOIL STARTER



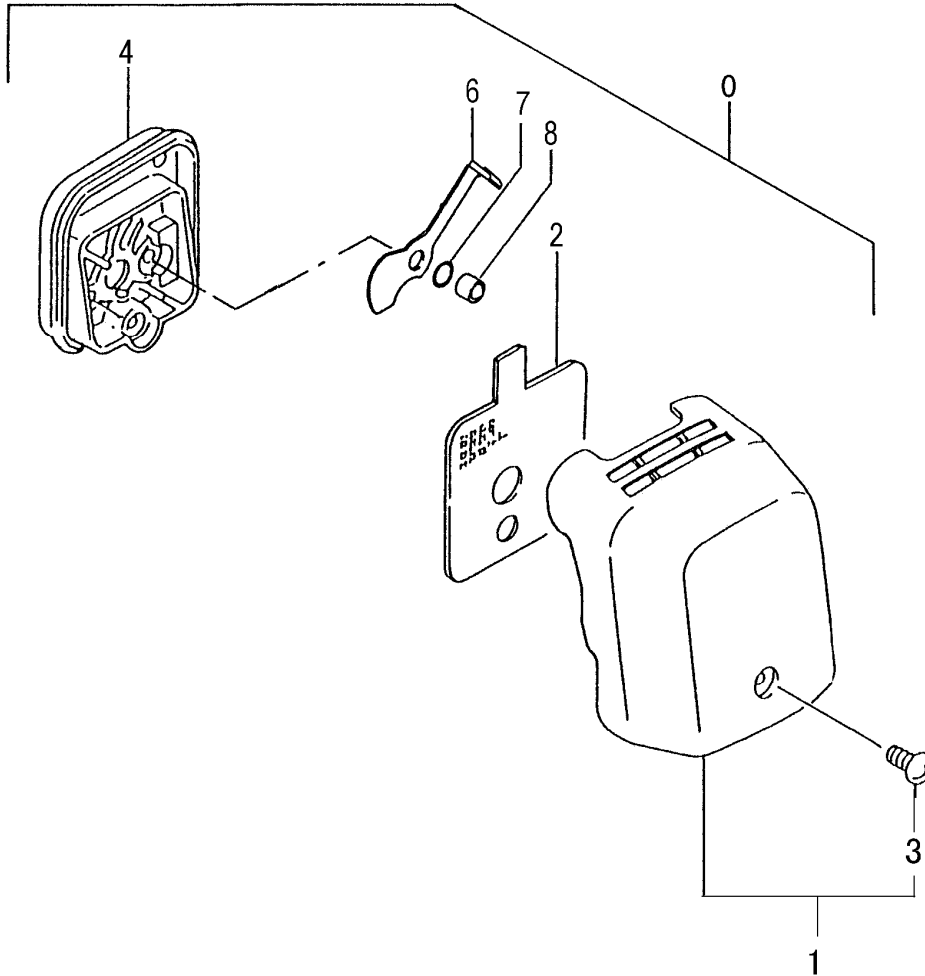
REF. NUMBER	PARTS NUMBER	DESCRIPTION	Q'TY	SERIAL NUMBER
B42-05 RECOIL STARTER				
000	668-4938	RECOIL STARTER BODY ASS'Y	1	
001	668-4944	RECOIL STARTER BODY COMP.	1	
002	668-4941	STARTER ROPE REEL	1	
003	668-4942	RECOIL SPRING	1	
004	668-4940	SWING ARM	1	
005	668-4679	SET SCREW	1	
006	668-4939	PULLEY STAY	1	
007	668-4943	ROPE 3.0X800	1	
008	668-4680	STARTER HANDLE	1	

B42-05 RECOIL STARTER



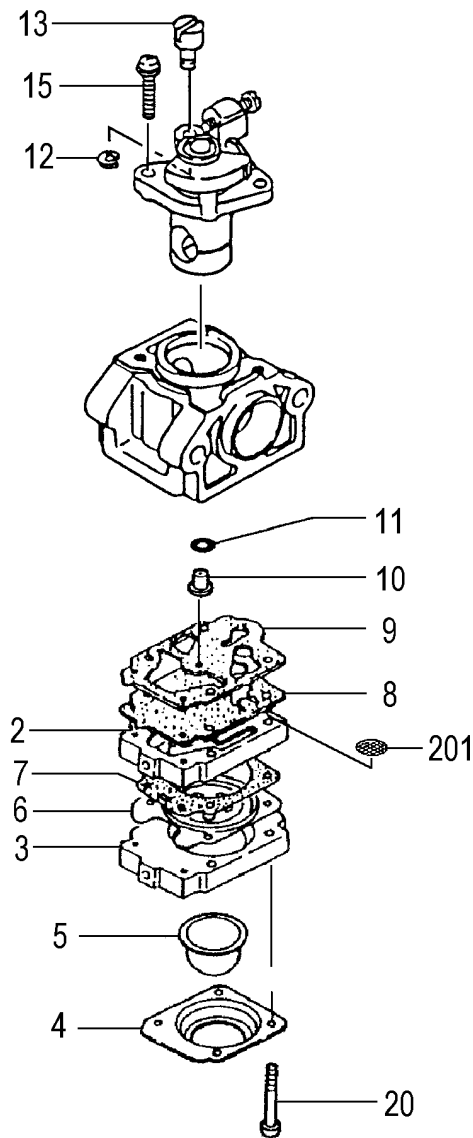
REF. NUMBER	PARTS NUMBER	DESCRIPTION	Q'TY	SERIAL NUMBER
B42-05 RECOIL STARTER				
000	668-4938	RECOIL STARTER BODY ASS'Y	1	
001	668-4944	RECOIL STARTER BODY COMP.	1	
002	668-4941	STARTER ROPE REEL	1	
003	668-4942	RECOIL SPRING	1	
004	668-4940	SWING ARM	1	
005	668-4679	SET SCREW	1	
006	668-4939	PULLEY STAY	1	
007	668-4943	ROPE 3.0X800	1	
008	668-4680	STARTER HANDLE	1	

B42-06 AIR CLEANER



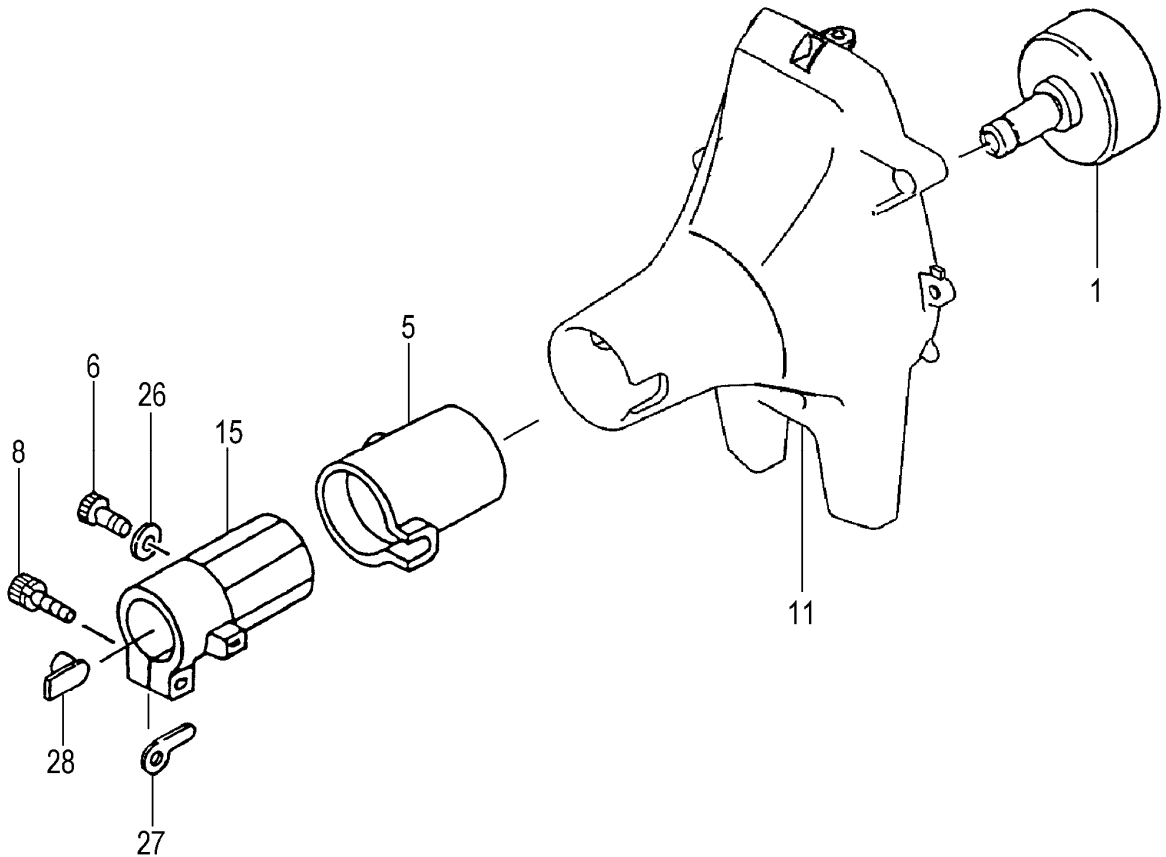
REF. NUMBER	PARTS NUMBER	DESCRIPTION	Q'TY	SERIAL NUMBER
B42-06	AIR CLEANER			
000	669-0048	CLEANER ASSY	1	
001	669-0391	CLEANER COVER SET	1	
002	668-4654	AIR CLEANER ELEMENT	1	
003	668-9737	SPECIAL SCREW	1	
004	668-4656	CLEANER BODY COMP.	1	
006	669-1280	CHOKE VALVE	1	
007	668-4658	WAVE WASHER 8	1	
008	668-4659	COLLAR 8	1	

B42-07 CARBURETOR



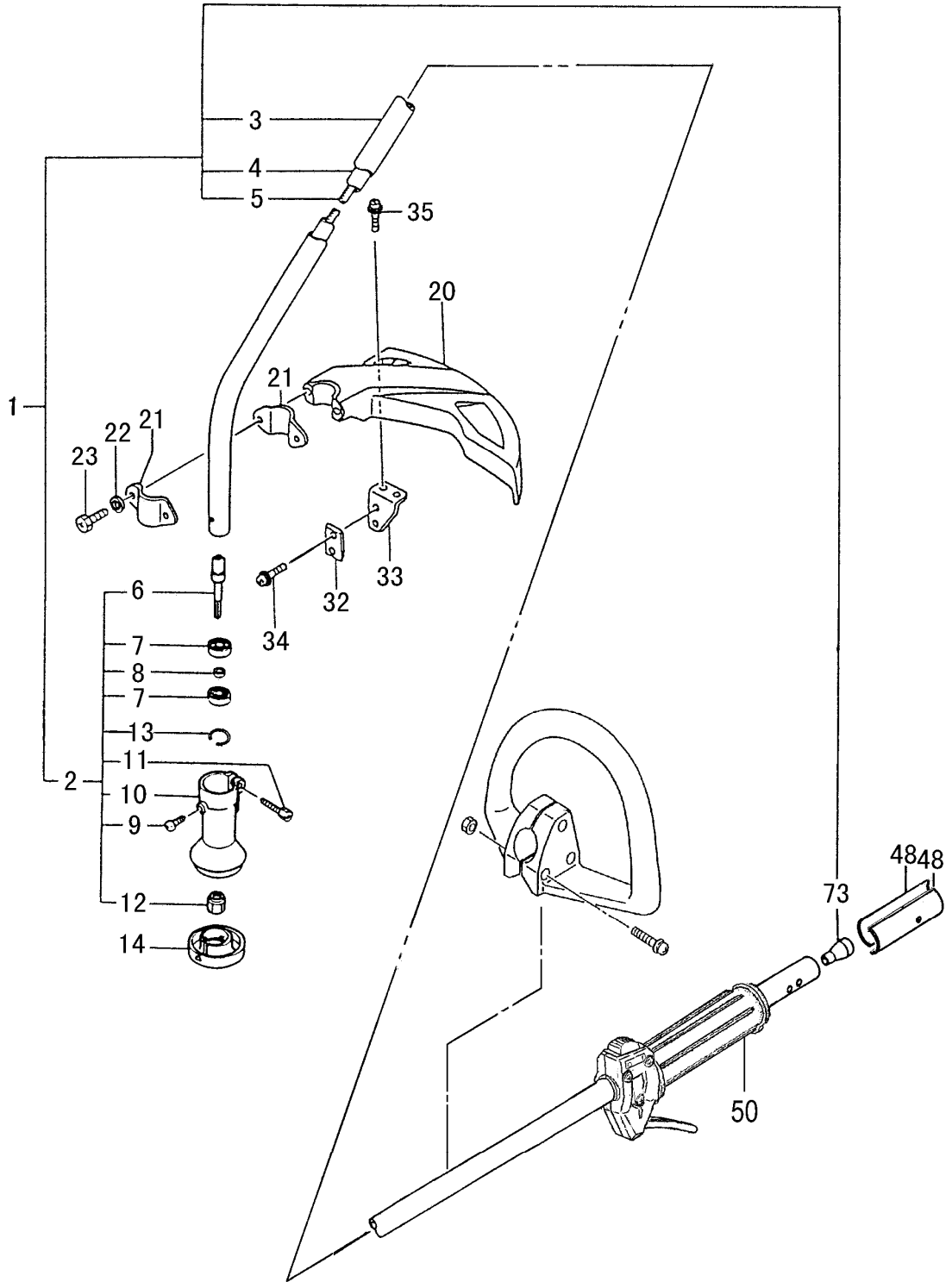
REF. NUMBER	PARTS NUMBER	DESCRIPTION	Q'TY	SERIAL NUMBER
B42-07 CARBURETOR				
002	668-4879	PUMP BODY COMP.	1	
003	668-4687	PRIMING PUMP COMP.	1	
004	668-4688	DIAPHRAGM COVER	1	
005	668-4689	PRIMING BODY	1	
006	669-0830	METERING DIAPHRAGM COMP.	1	
007	668-4691	DIAPHRAGM GASKET	1	
008	668-4693	PUMP DIAPHRAGM	1	
009	669-1457	PUMP GASKET	1	
010	669-1844	MAIN JET #38	1	
011	668-4695	O-RING	1	
012	668-4696	STOP RING	1	
013	668-4697	SWIVEL	1	
015	668-4698	THROTTLE SET SCREW	2	
020	668-4699	SET SCREW	4	
201	668-4700	INLET SCREEN	1	
	669-2191	CARB. REPAIR KIT, K10-WYL	1	
	669-2200	GASKET/DIA. KIT,D10WYL	1	

B42-08 FAN CASE



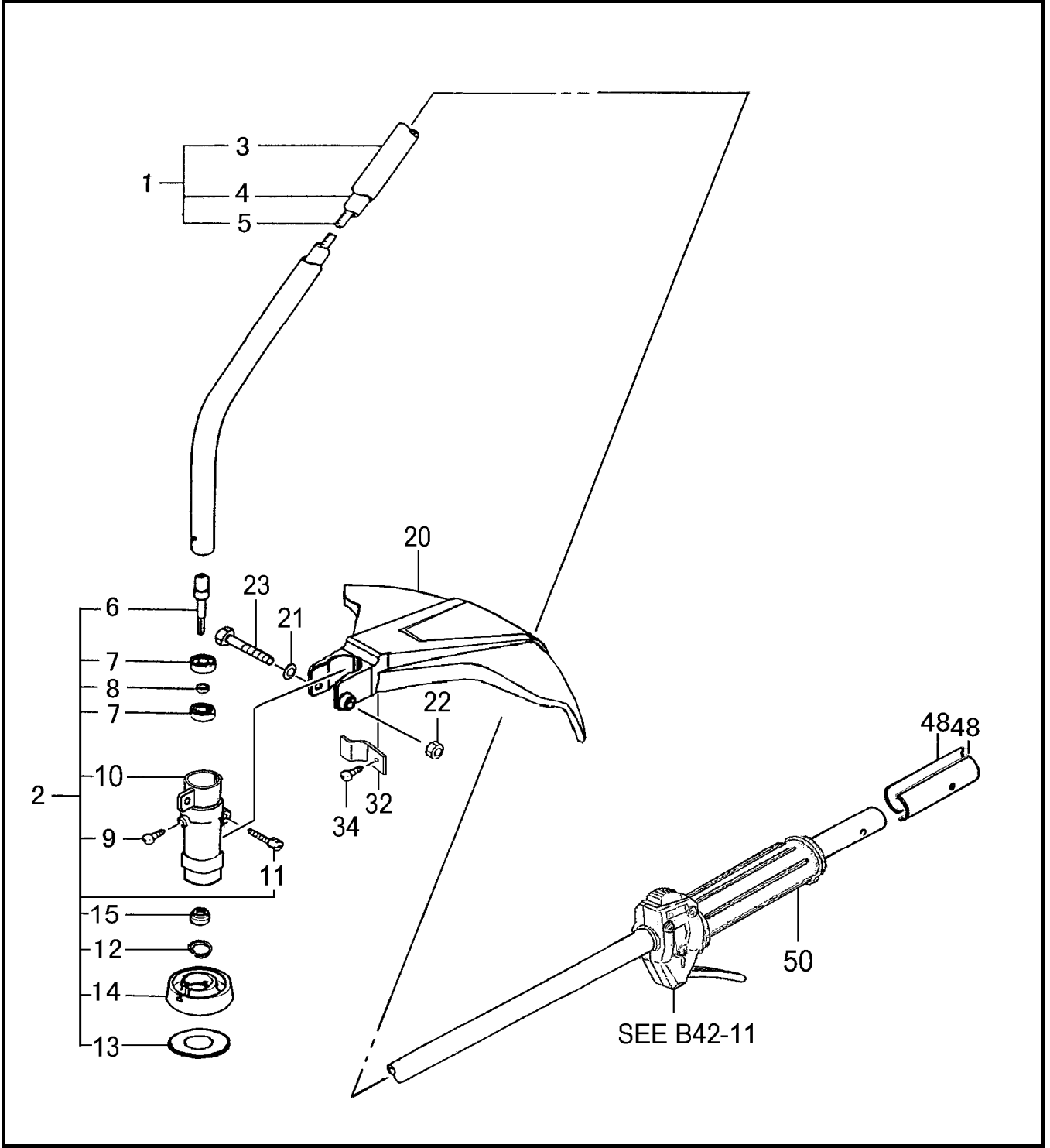
REF. NUMBER	PARTS NUMBER	DESCRIPTION	Q'TY	SERIAL NUMBER
B42-08 FAN CASE				
001	668-8602	CLUTCH SHAFT COMP.	1	
005	669-1839	ANTI-VIBE RUBBER	1	
006	669-5046	HEX. HOLE BOLT 5X16	1	
008	668-4709	HEX.HOLE BOLT M5X25/S	1	
011	668-7029	FAN CASE, OR	1	
015	668-9651	PIPE HOLDER, TPE	1	
026	668-4918	WASHER M5	1	
027	668-9159	GEAR CASE WASHER	1	
028	668-9664	METAL FITTING	1	

B42-09 OPERATION PIPE/SAFETY GUARD (SERIAL NO.-A314550)



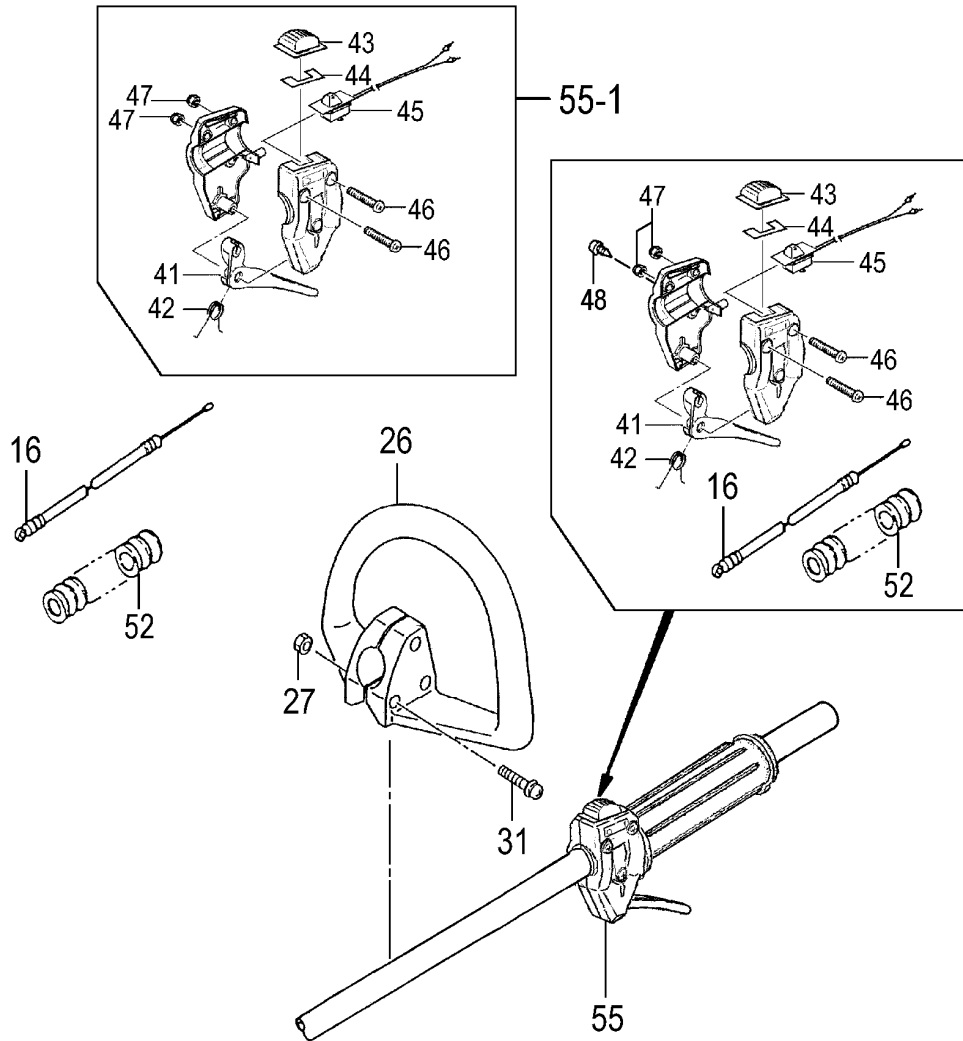
REF. NUMBER	PARTS NUMBER	DESCRIPTION	Q'TY	SERIAL NUMBER
B42-09 OPERATION PIPE/SAFETY GUARD				
001	668-9371	DRIVE SHAFT PIPE ASS'Y	1	
002	668-8794	CUTTER CASE ASS'Y	1	
003	668-9369	MAIN PIPE	1	
004	668-4772	FLEXIBLE LINER	1	
005	668-4773	FLEXIBLE SHAFT	1	
006	668-4774	CUTTER SHAFT	1	
007	668-4775	BALL BEARING 608DD	2	
008	668-4776	COLLAR	1	
009	669-4882	SCREW 5X8	1	
010	668-4778	CUTTER CASE	1	
011	668-4779	HEX. SOCKET HD. BOLT (W/WASHERS)	1	
012	668-4780	SPECIAL NUT	1	
013	668-4781	STOP RING R-22,INNER	1	
014	668-4782	CUTTER HOLDER	1	
020	669-0258	SAFETY GUARD COMP.	1	
021	669-0310	SAFETY GUARD BRACKET	2	
022	669-5219	S.WASHER 6	2	
023	669-5020	PLUS BOLT 6X18	2	
032	668-4750	KNIFE	1	
033	669-3413	KNIFE BRACKET	1	
034	669-5325	SCREW 4X8/S	2	
035	668-4967	SCREW	2	
048	668-9501	HOLDER, PIPE BLK	2	
050	669-1182	SHAFT GRIP	1	
073	668-4789	SPACER	1	

B42-10 OPERATION PIPE/SAFETY GUARD (SERIAL NO.A314551-)



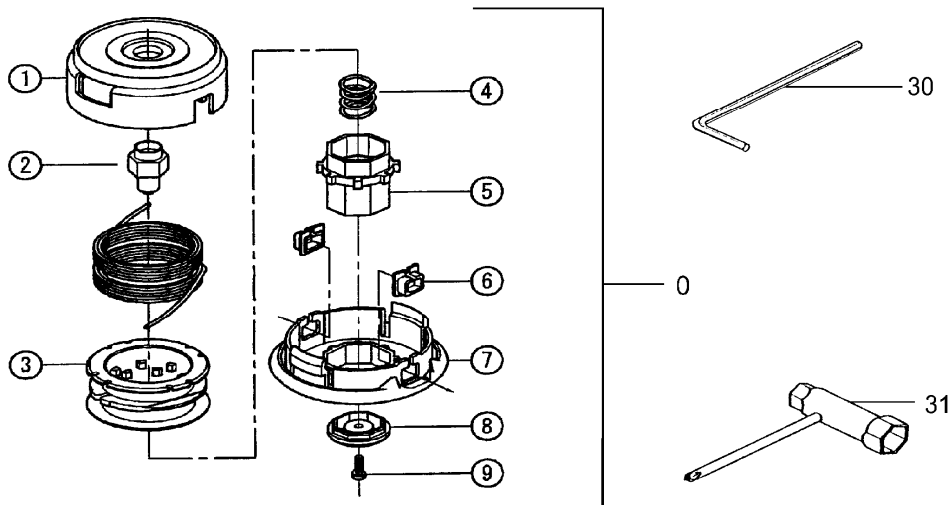
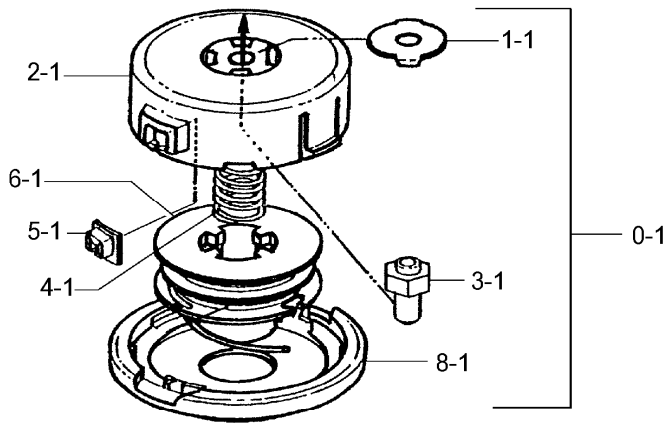
REF. NUMBER	PARTS NUMBER	DESCRIPTION	Q'TY	SERIAL NUMBER
B42-10 OPERATION PIPE/SAFETY GUARD				
001	668-9609	MAIN PIPE SET	1	
002	668-5044	CUTTER CASE ASS'Y	1	
003	668-9412	MAIN PIPE	1	
004	668-5037	FLEXIBLE LINER	1	
005	668-5038	FLEXIBLE SHAFT	1	
006	668-5033	CUTTER SHAFT	1	
007	668-5027	BALL BEARING 608LB 22MM/OD	2	
008	668-5014	COLLAR 5	1	
009	668-4994	BOLT M5X10	1	
010	668-5042	CUTTER CASE	1	
011	668-4996	HEX. BOLT M5X30	1	
012	668-4971	S.WASHER 8	1	
013	668-5001	WASHER	1	
014	668-5073	CUTTER HOLDER	1	
015	668-5016	SPECIAL WASHER	1	
020	668-5030	SAFETY COVER	1	
021	668-4639	WASHER 6	1	
022	668-4792	NUT M6	1	
023	668-4995	PLUS BOLT M6X45	1	
032	668-5015	KNIFE	1	
034	668-5074	TAPPING SCREW D5X16	1	
048	668-9501	HOLDER, PIPE BLK	2	
050	668-5032	SHAFT GRIP	1	

B42-11 THROTTLE LEVER/HANDLE



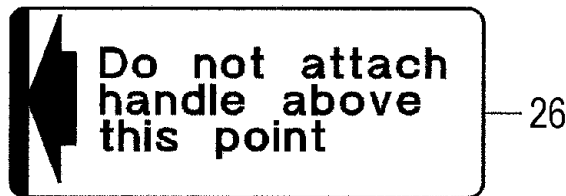
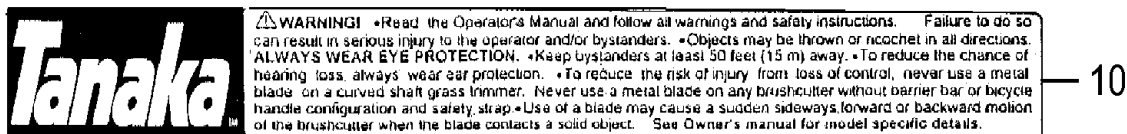
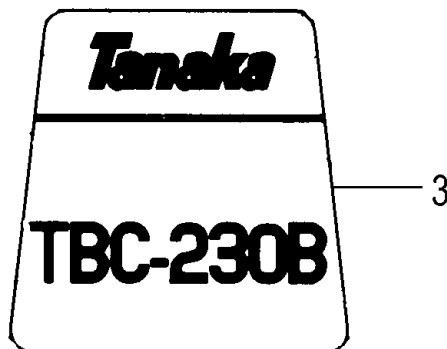
REF. NUMBER	PARTS NUMBER	DESCRIPTION	Q'TY	SERIAL NUMBER
B42-11 THROTTLE LEVER/HANDLE				
016	669-3983	THROTTLE WIRE	1	
026	668-5041	FRONT HANDLE 22	1	
027	668-5075	NUT M5 (BLACK)	3	
031	668-4997	SCREW M5X30WS	3	
041	668-5006	THROTTLE LEVER	1	
042	668-4998	RETURN SPRING	1	
043	668-5009	STOP SWITCH	1	
044	668-5003	SWITCH MARK	1	
045	668-7462	STOP SWITCH COMP.	1	
046	668-5076	MACHINE SCREW M5X30	3	
047	668-4965	NUT M5	3	
048	668-5275	TAPPING SCREW D5X14	1	A314551 -
052	668-5007	PROTECTION TUBE D7X170	1	
055,1	669-3771	THROTTLE LEVER ASS'Y 22	1	- A314550
055	669-3772	THROTTLE LEVER ASSY 22	1	A314551 -

B42-12 TOOLS & NYLON HEAD



REF. NUMBER	PARTS NUMBER	DESCRIPTION	Q'TY	SERIAL NUMBER
B42-12 TOOLS & NYLON HEAD				
000,1	668-4805	NYLON HEAD ASS'Y	1	- A314550
000	669-5726	N/H NB4 RM8X1.25	1	A314551 -
001,1	668-4806	SPECIAL WASHER	1	
002,1	668-4807	CUTTING BODY	1	
003,1	668-4808	MOUNTING NUT M8X1.25F	1	
004,1	668-4809	REEL SPRING	1	
005,1	668-4810	EYELET	2	
006,1	668-4811	SPOOL	1	
008,1	668-4812	NYLON CORD CAP	1	
001	669-3274	CUTTING BODY	1	
002	668-9626	MOUNTING NUT R/H	1	
003	669-3293	CODE REEL	1	
004	669-3379	REEL SPRING	1	
005	668-9852	REEL SLIDER	1	
006	669-3329	EYELET	2	
007	669-3339	BODY CAP	1	
008	668-9906	DISK	1	
009	669-5336	SCREW 5X14/S	1	
030	669-3524	HEX. WRENCH 4	1	
031	669-3574	COMBI. BOX SPANNER 17X19	1	

B42-13 LABELS



REF. NUMBER	PARTS NUMBER	DESCRIPTION	Q'TY	SERIAL NUMBER
B42-13 LABELS				
001	669-4219	NAME PLATE TBC-230B	1	
003	669-4638	SYMBOL MARK TBC-230B	1	
004,1	668-4851	LEVEL MARK	1	- A314550
004	669-4581	LEVEL MARK	1	A314551 -
010	668-5056	CAUTION MARK	1	
026	668-4852	LEVEL MARK	1	