

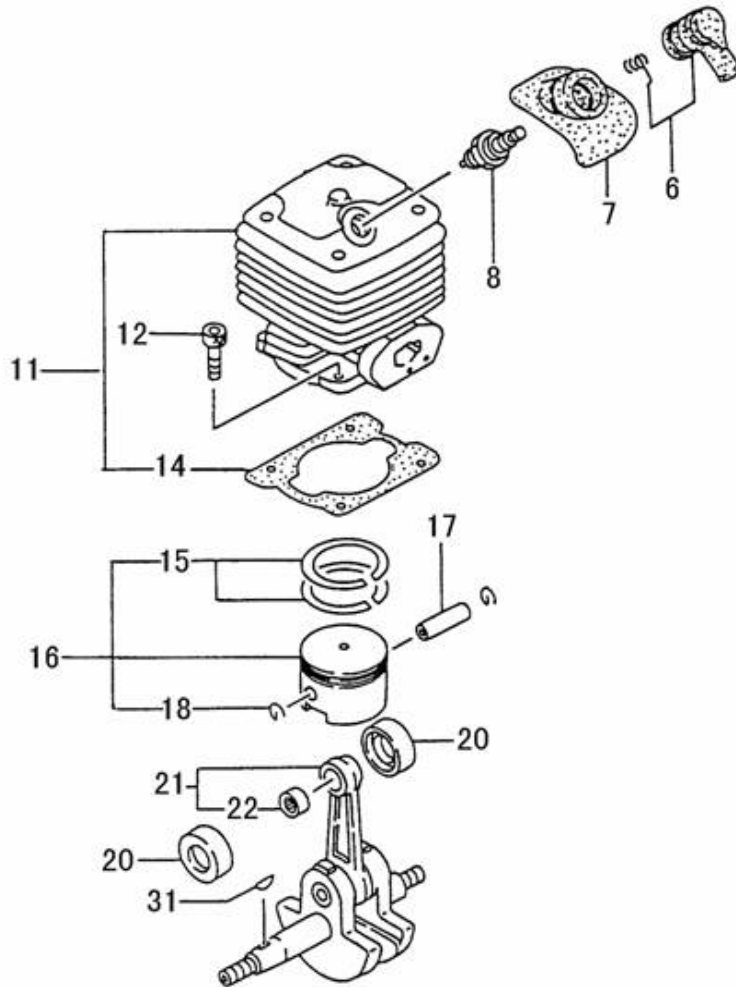
B31

Tanaka

TBC-600

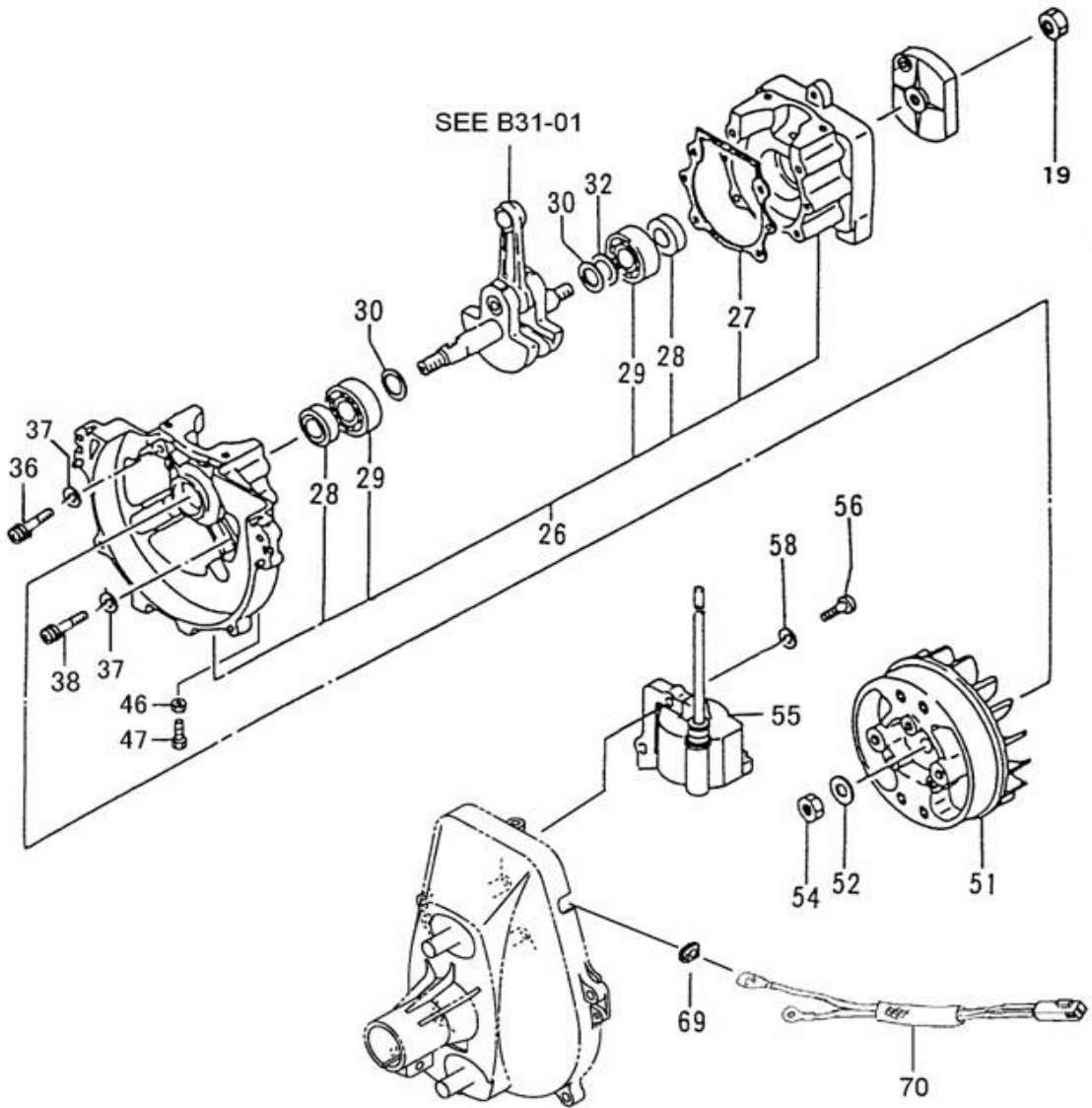
Serial No. -E063150

B31-01 CYLINDER/PISTON/CRANK SHAFT



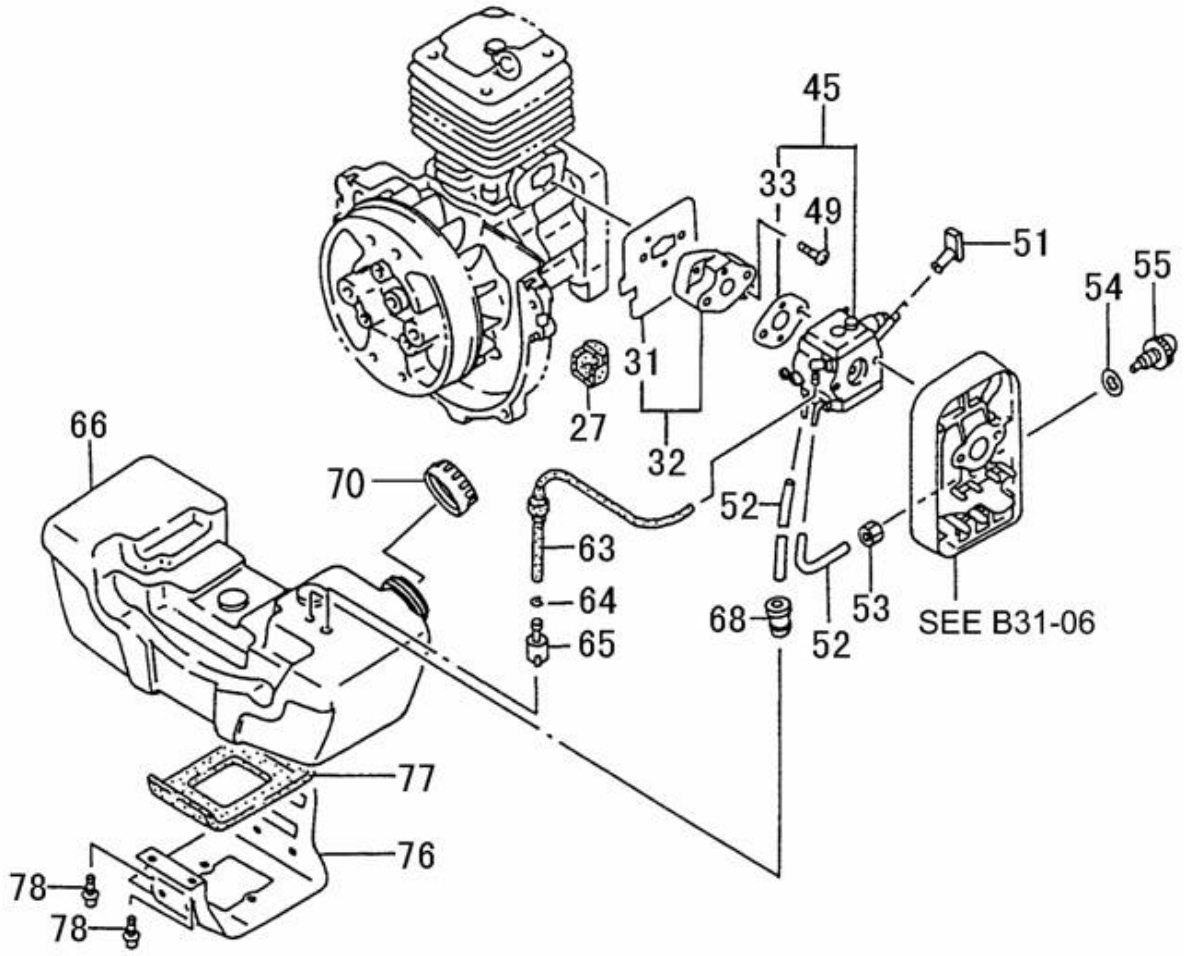
REF. NUMBER	PARTS NUMBER	DESCRIPTION	Q'TY	SERIAL NUMBER
B31-01 CYLINDER/PISTON/CRANK SHAFT				
006	668-7479	SPARK PLUG CAP ASS'Y	1	
007	668-8336	SPARK PLUG RUBBER COVER	1	
008	668-5085	SPARK PLUG BPM6A	1	
011	668-5470	CYLINDER SET	1	
012	668-4586	HEX.HOLE BOLT M5X18/S	4	
014	668-5738	CYLINDER GASKET	1	
015	668-6126	PISTON RING	2	
016	668-5887	PISTON SET	1	
017	668-6019	PISTON PIN 10X35	1	
018	668-6026	PISTON PIN CIRCLIP	2	
020	668-5993	PISTON PIN COLLAR	2	
021	668-6190	CRANK SHAFT COMP.	1	
022	669-5602	NEEDLE BEARING, 2X8.8	1	
031	668-6457	WOOD-RUFF KEY 3X13X5	1	

B31-02 CRANK CASE



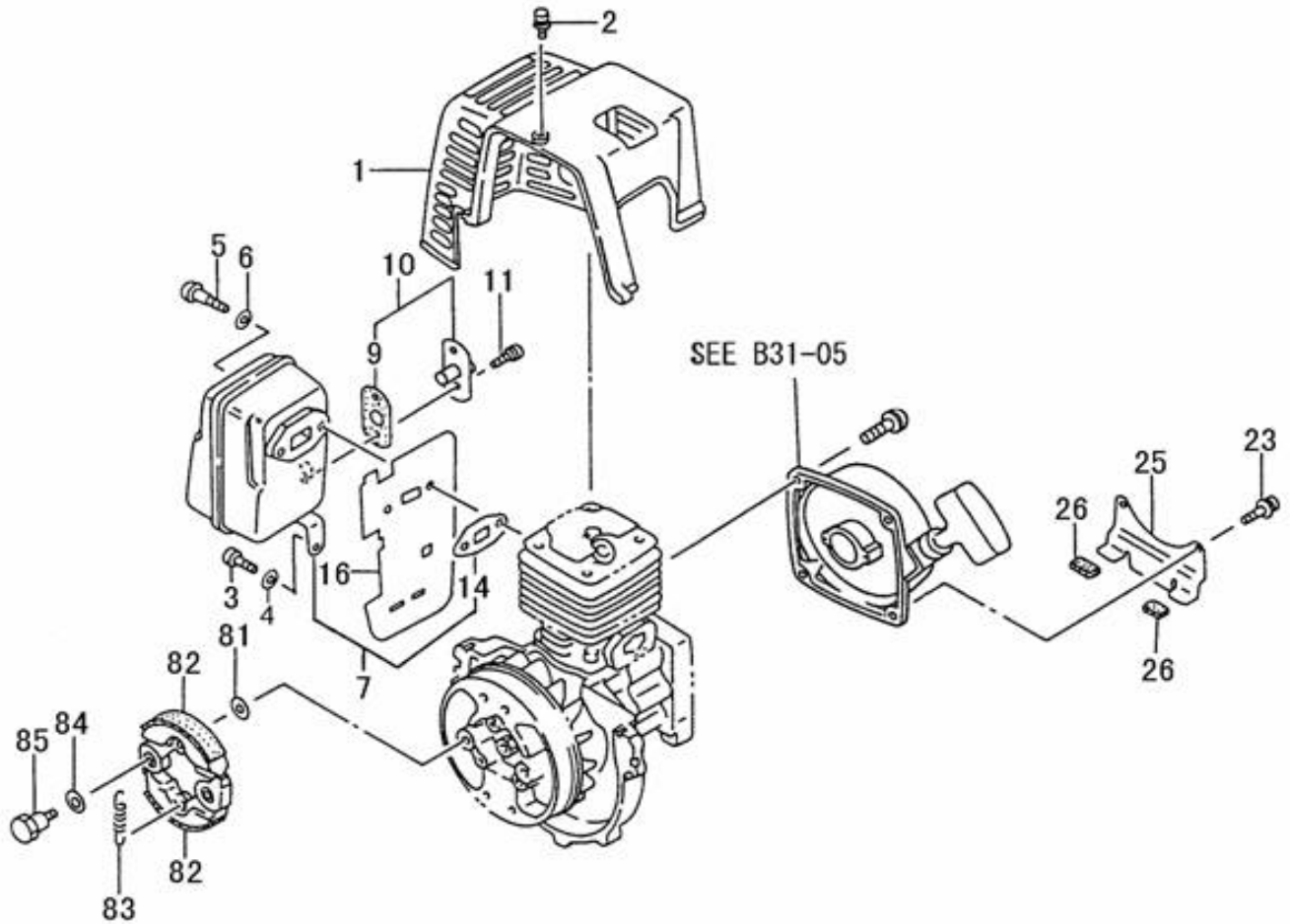
REF. NUMBER	PARTS NUMBER	DESCRIPTION	Q'TY	SERIAL NUMBER
B31-02 CRANK CASE				
019	669-5139	SMALL NUT 10	1	
026	668-6553	CRANK CASE ASS'Y	1	
027	668-6713	CRANK CASE GASKET	1	
028	669-5637	OIL SEAL UD15257	2	
029	669-5557	BALL BEARING #6202, 35MM/OD	2	
030	668-6463	CRANK SHAFT WASHER 15.2X22	2	
032	669-8030	CRANK SHAFT SHIM 0.05	V	
032	668-6470	CRANK SHAFT SHIM 0.10	V	
032	668-6471	CRANK SHAFT SHIM 0.15	V	
032	668-6472	CRANK SHAFT SHIM 0.20	V	
032	668-6473	CRANK SHAFT SHIM 0.30	V	
036	669-5066	HEX. HOLE BOLT 6X45	2	- B243450
036	669-5084	HEX HOLE BUTTON SCREW 6X45	2	B243451 -
037	668-4826	S.WASHER 6	4	B243451 -
038	669-5499	HEX.HOLE BOLT 6X30/S	2	- B243450
038	668-4825	HEX. SOCKET HD. BOLT (W/BUT)	2	B243451 -
046	668-4872	LOCK NUT M6	1	
047	669-4043	OUTER RECEIVER	1	
051	668-7371	MAGNET ROTOR COMP.	1	
052	669-5185	SMALL WASHER 10	1	
054	669-5138	NUT 10	1	
055	668-7662	IGNITION COIL	1	
056	669-5339	SCREW 5X18/S	2	
058	668-4864	SMALL WASHER 5	2	
069	668-8053	GROMMET	1	
070	668-7967	LEAD WIRE ASS'Y	1	

B31-03 ENGINE-1



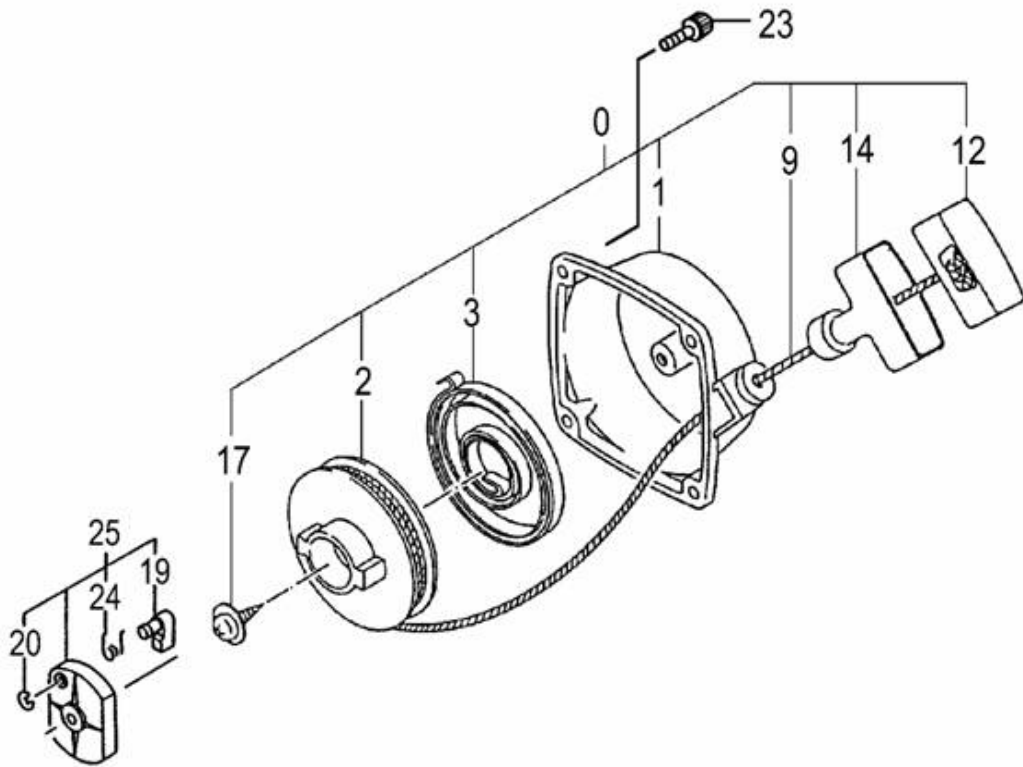
REF. NUMBER	PARTS NUMBER	DESCRIPTION	Q'TY	SERIAL NUMBER
B31-03 ENGINE-1				
027	669-2225	FUEL TANK CUSHION RUBBER	2	- B243450 B243451 -
031	668-9883	INLET MANUFOLD GASKET	1	
032	668-9950	CARB. INSULATOR SET	1	
033	668-9826	CARBURETOR GASKET	1	
045	669-0467	CARBURETOR SET HDA97	1	
045	669-0468	CARBURETOR ASS'Y	1	
049	669-5423	SCREW 5X24WS	2	
051	669-1004	CHOKE LEVER	1	
052	668-5267	FUEL PIPE 2.5X4X90	2	
053	669-5139	SMALL NUT 10	1	
054	669-5235	INNER TOOTHED WASHER 10	1	
055	669-0080	PRIMING PUMP COMP.	1	
063	668-8166	FUEL PIPE ASS'Y 3X5X180	1	
064	668-4619	CLIP,6.3 DIA.	1	
065	669-2273	PUMP FILTER BODY ASS'Y	1	
066	669-1525	FUEL TANK, VERMILION	1	
068	668-4627	RETURN GROMMET	1	
070	669-1715	TANK CAP D ASS'Y,BLACK	1	
076	669-1927	TANK HOLDING BAND	1	
077	669-2193	CUSHION RUBBER	1	
078	669-5386	SCREW 5X16/PS	2	

B31-04 ENGINE-2



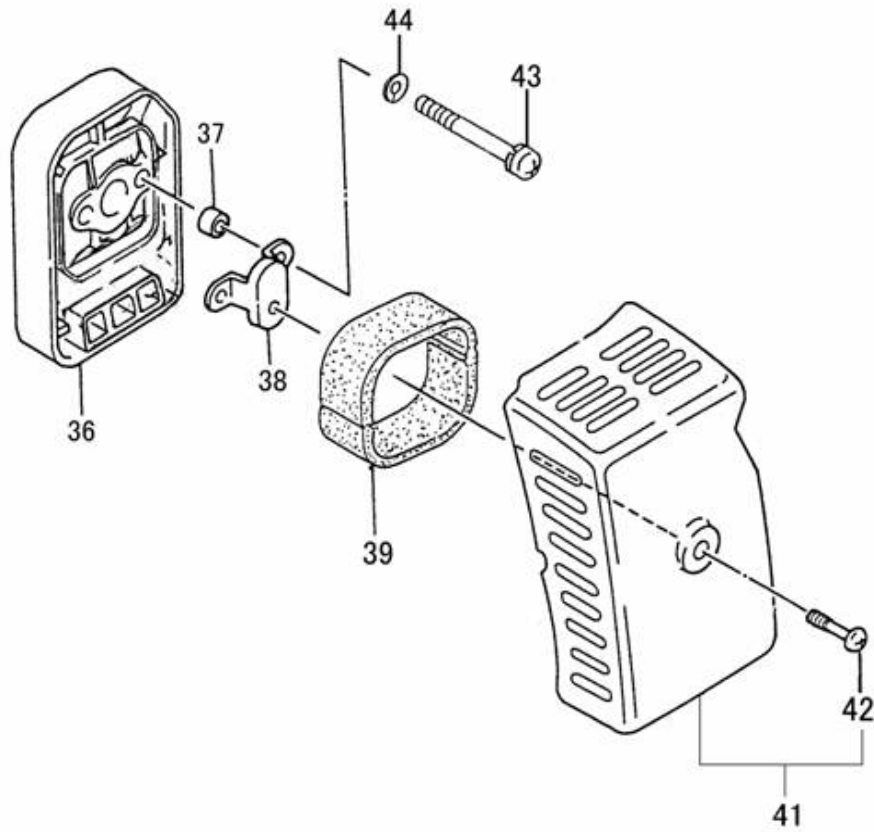
REF. NUMBER	PARTS NUMBER	DESCRIPTION	Q'TY	SERIAL NUMBER
B31-04 ENGINE-2				
001	669-2777	MUFFLER PROTECTOR	1	
002	669-5383	SCREW 5X12/PS	1	
003	668-4667	HEX.HOLE BOLT M5X12/S	1	
004	668-4918	WASHER M5	1	
005	669-5088	HEX. HOLE BUTTON SCREW 6X65	2	
006	668-4639	WASHER 6	2	
007	669-2463	MUFFLER SET	1	
009	669-2883	MUFFLER SPECIAL GASKET	1	
010	669-2649	TAIL PIPE SET	1	
011	668-5109	MACHINE SCREW (W/SP. WASHER) M4	2	
014	669-2741	MUFFLER GASKET	1	
016	668-7242	HEAT SHIELD	1	
023	669-5389	SCREW 5X18/PS	2	
025	669-2205	TANK BRACKET	1	
026	669-2227	FUEL TANK CUSHION RUBBER	2	
081	668-9645	CLUTCH WASHER B	2	
082	668-8615	CLUTCH ARM	2	
083	668-9429	CLUTCH SPRING	1	
084	669-5203	WAVE WASHER 10	2	
085	668-9628	CLUTCH STEP BOLT	2	

B31-05 RECOIL STARTER



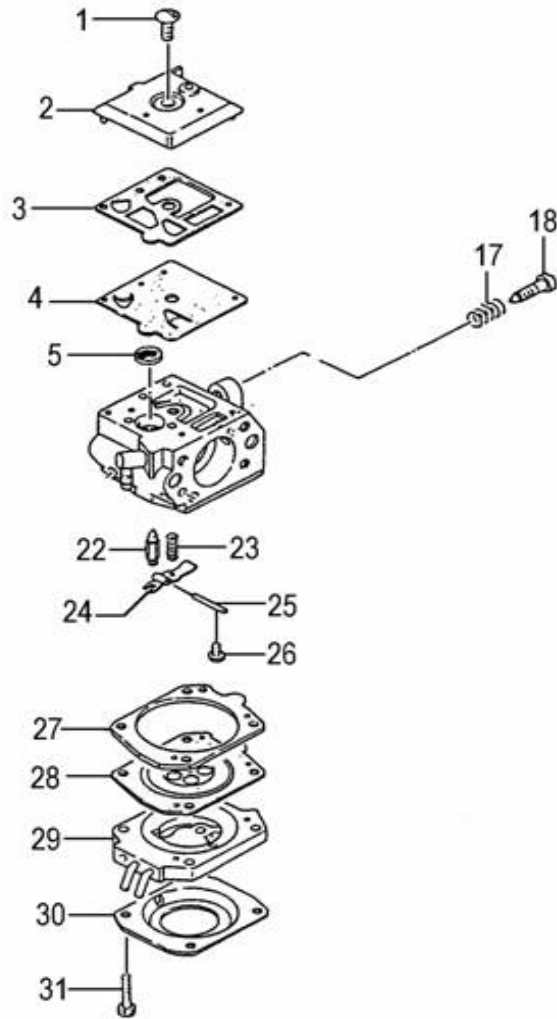
REF. NUMBER	PARTS NUMBER	DESCRIPTION	Q'TY	SERIAL NUMBER
B31-05 RECOIL STARTER				
000	669-2970	RECOIL STARTER BODY ASS'Y	1	
001	669-3025	RECOIL STARTER BODY COMP.	1	
002	669-3007	STARTER ROPE REEL	1	
003	669-3114	RECOIL SPRING	1	
009	669-3165	STARTER ROPE	1	
012	669-3607	STARTER HANDLE CAP	1	
014	669-3232	STARTER HANDLE	1	
017	669-3634	SET SCREW	1	
019	669-3302	STARTER PAWL	1	
020	668-4683	STOP RING E-5	1	
023	669-5395	SCREW 5X25PS	2	
024	669-3345	STARTER PAWL SPRING	1	
025	669-3395	STARTER PULLEY	1	

B31-06 AIR CLENER



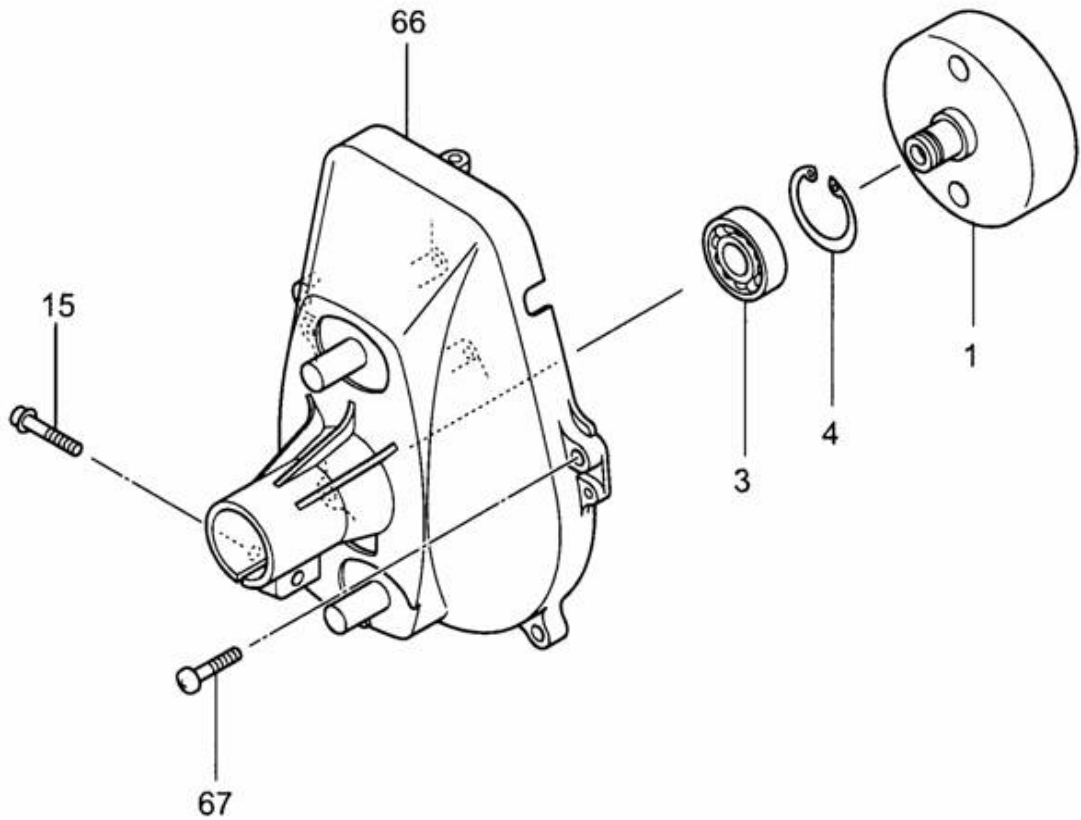
REF. NUMBER	PARTS NUMBER	DESCRIPTION	Q'TY	SERIAL NUMBER
B31-06 AIR CLEANER				
036	669-0106	CLEANER BODY	1	
037	669-2244	COLLAR 5.8	2	
038	669-0848	BLOW OVER CHECK BOARD COMP.	1	
039	669-0357	CLEANER ELEMENT	1	
041	669-0149	CLEANER COVER ASS'Y	1	
042	669-0383	COVER FIXING BOLT	1	
043	668-4662	S.WASHER 5	2	
044	669-4916	SCREW 5X60	2	

B31-07 CARBURETOR



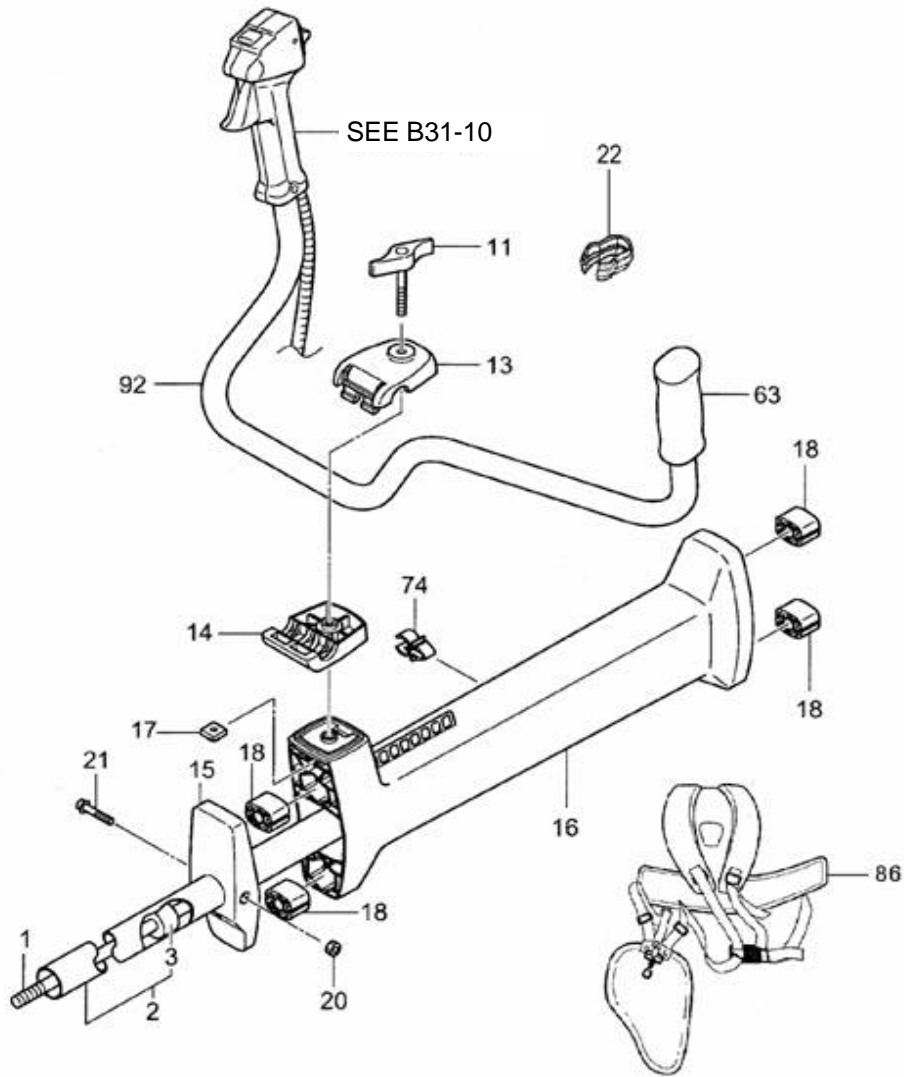
REF. NUMBER	PARTS NUMBER	DESCRIPTION	Q'TY	SERIAL NUMBER
B31-07 CARBURETOR				
001	668-5210	SCREW	1	
002	669-1420	PUMP BODY	1	
003	669-1455	PUMP GASKET	1	
004	669-1446	PUMP DIAPHRAGM	1	
005	668-4700	INLET SCREEN	1	
017	669-0766	IDLE ADJUST SPRING	1	
018	669-0736	IDLE ADJUST SCREW	1	
022	668-5215	NEEDLE VALVE	1	
023	669-0874	VALVE SPRING	1	
024	669-0819	CONTROL LEVER	1	
025	668-5219	HINGE PIN	1	
026	668-5218	HINGE PIN SET SCREW	1	
027	669-0840	DIAPHRAGM GASKET	1	
028	669-0829	METERING DIAPHRAGM COMP.	1	
029	669-0434	AIR PURGE COMP.	1	
030	669-0860	DIAPHRAGM COVER	1	
031	669-1310	SET SCREW	4	
	669-2186	CARB. REPAIR KIT, K12-HDA	1	
	669-2196	GASKET/DIA. KIT, D11HDA	1	

B31-08 FAN CASE



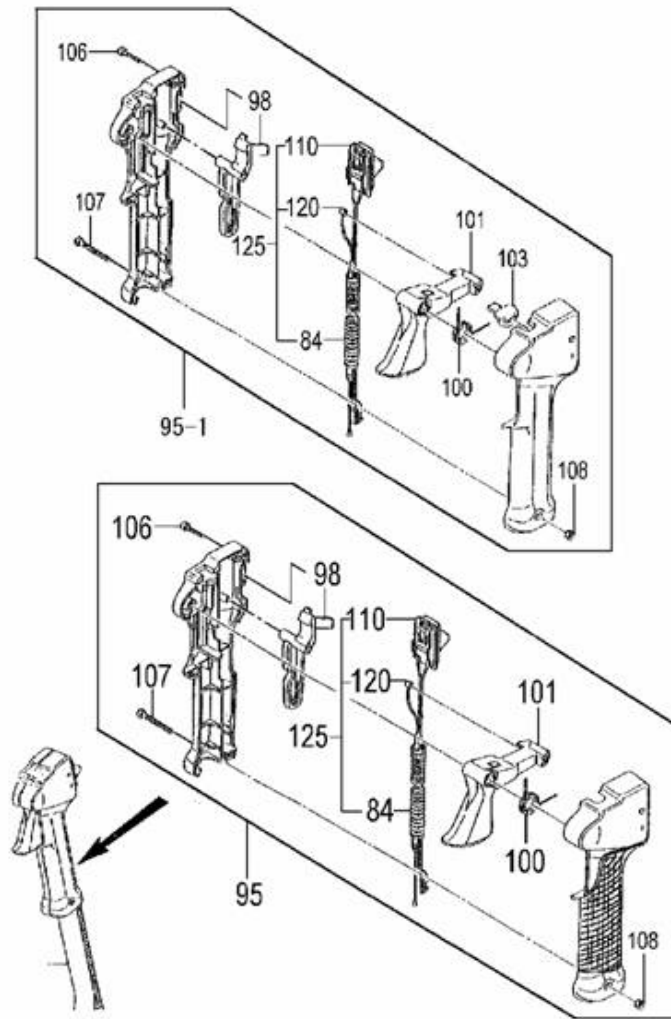
REF. NUMBER	PARTS NUMBER	DESCRIPTION	Q'TY	SERIAL NUMBER
B31-08 FAN CASE				
001	668-8585	CLUTCH SHAFT COMP.	1	
003	669-5558	BALL BEARING #6202ZZ, 35MM/C	1	
004	669-5296	STOP RING C-35, INNER	1	
015	669-5093	HEX.HOLE BOLT 6X25	1	
066	668-6975	FAN CASE OR	1	
067	669-5361	SCREW 6X20/S	4	

B31-09 OPERATION PIPE



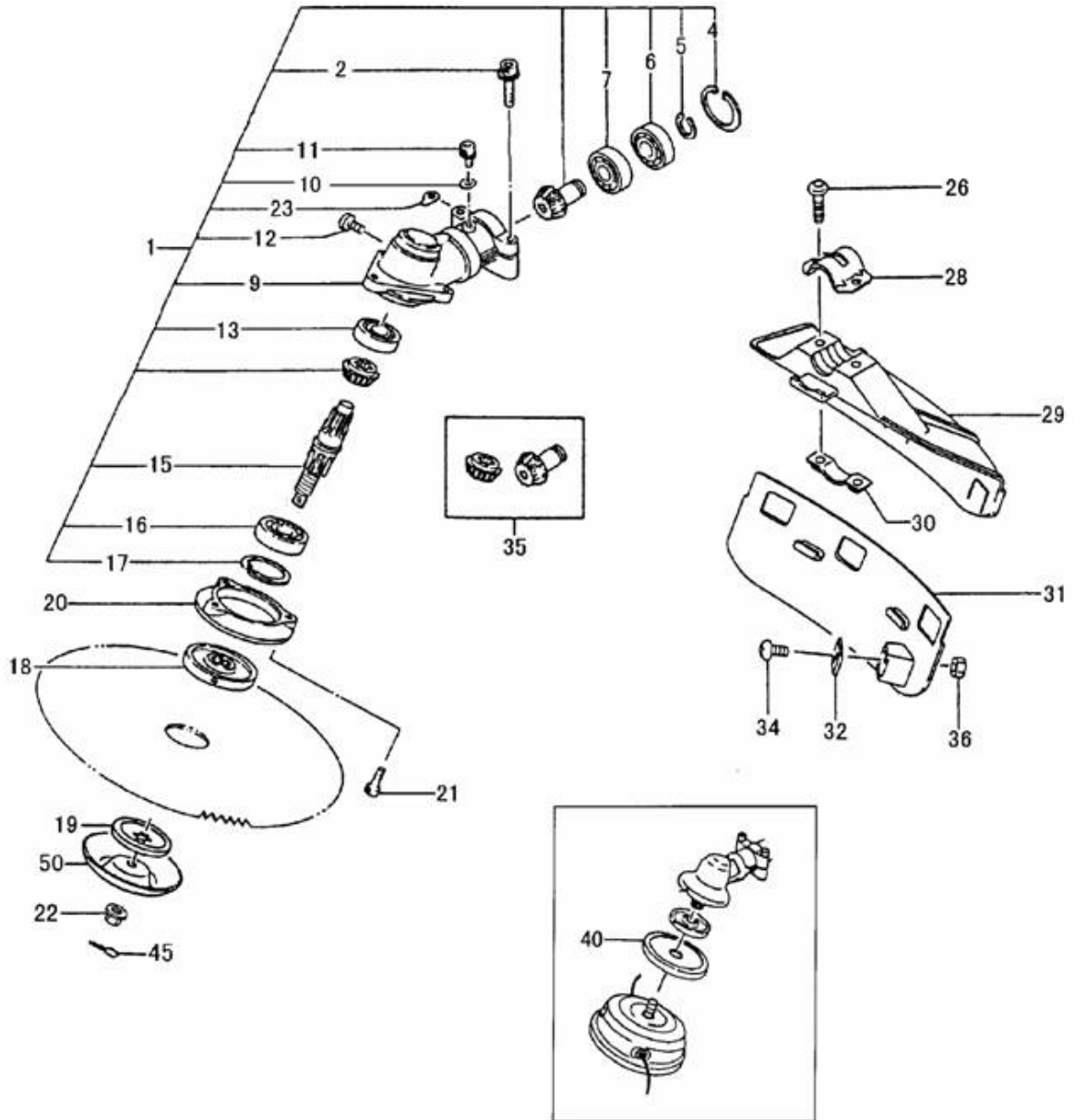
REF. NUMBER	PARTS NUMBER	DESCRIPTION	Q'TY	SERIAL NUMBER
B31-09 OPERATION PIPE				
001	668-9476	DRIVE SHAFT, 1552L	1	
002	668-9403	DRIVE SHAFT PIPE	1	
003	668-9515	BUSHING ASS'Y	5	
011	669-1207	KNOB BOLT	1	
013	669-1143	HANDLE BRACKET A	1	
014	669-1159	HANDLE BRACKET B	1	
015	669-1237	SUPPORT HOLDER	1	
016	669-1232	HANDLE SUPPORT COMP.	1	
017	668-9102	SPECIAL NUT M6X1.0	1	
018	668-9165	ANTI-VIBE RUBBER	4	
020	669-5175	NUT 6 UPS-P	1	
021	669-5094	HEX. HOLE BOLT 6X30	1	
022	668-8016	CORD CLAMP	1	
063	668-7627	HANDLE GRIP	1	
074	668-8025	CORD CLAMP	2	
086	669-2864	SHOULDER BELT ASSY,	1	
092	669-1079	HANDLE	1	

B31-10 THROTTLE LEVER



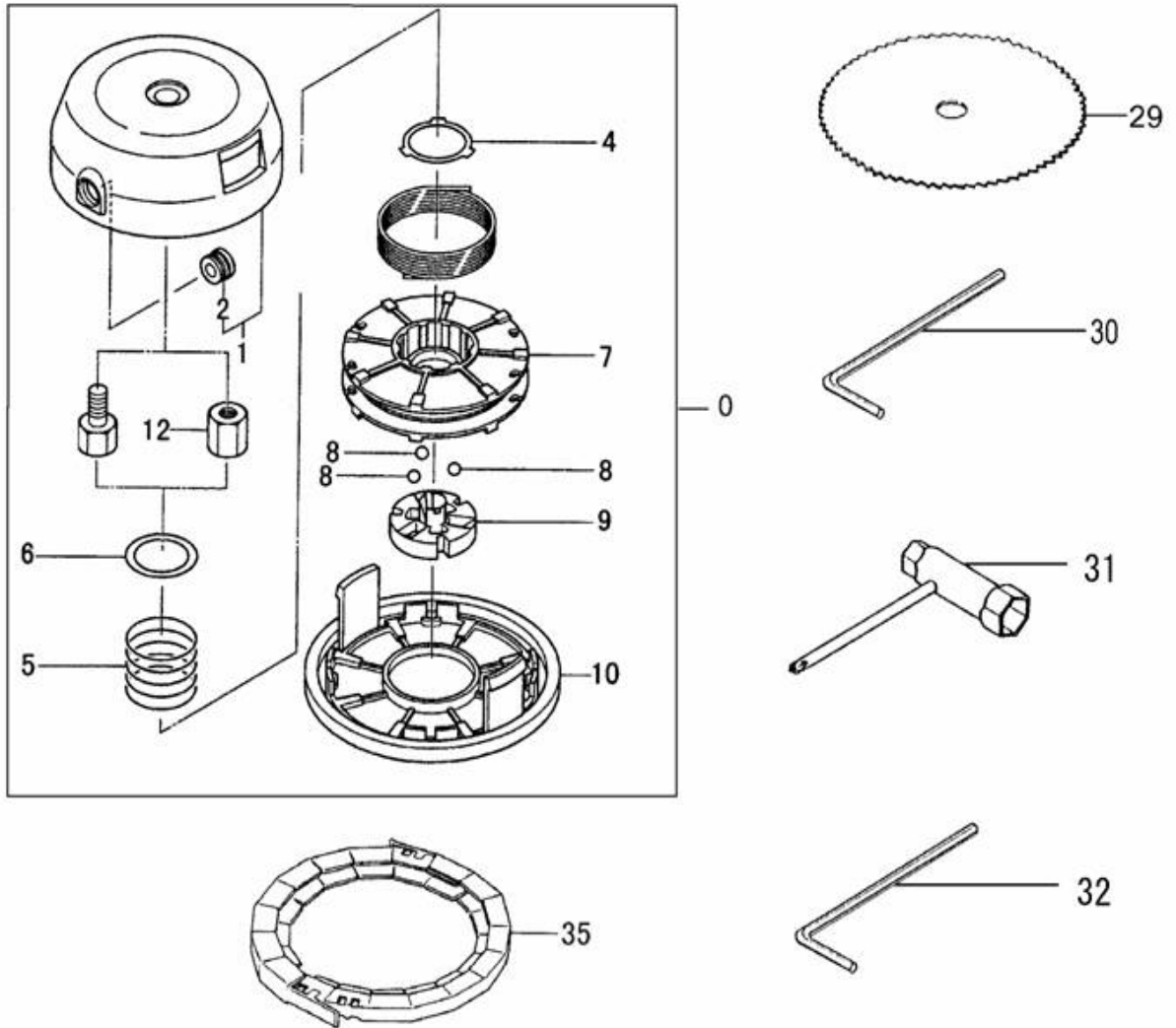
REF. NUMBER	PARTS NUMBER	DESCRIPTION	Q'TY	SERIAL NUMBER
B31-10 THROTTLE LEVER				
084	668-7549	PROTECTION TUBU 990L	1	
095,1	669-3729	THROTTLE LEVER ASS'Y, 22DIA.	1	- C305300
095	669-3730	THROTTLE LEVER 20	1	C305301 -
098	668-4721	SAFETY LEVER	1	
100	668-4722	RETURN SPRING	1	
101	668-4723	THROTTLE LEVER	1	
103	668-4724	BLIND PLUG	1	- C305300
106	668-4725	SCREW M4X20 (BLACK)	2	
107	668-4726	SCREW 5X30 (BLACK)	1	
108	668-4727	CONTAL NUT 5	1	
110	668-7440	STOP BOTTOM COMP.	1	- C305300
110	668-7441	STOP SWITCH COMP.	1	C305301 -
120	669-4009	THROTTLE WIRE	1	
125	669-3955	THROTTLE WIRE COMP.	1	- C305300
125	669-3956	THROTTLE WIRE COMP.	1	C305301 -

B31-11 GEAR CASE



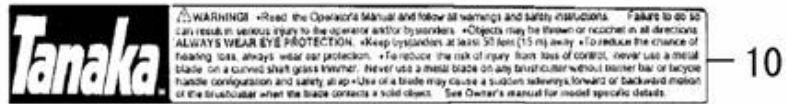
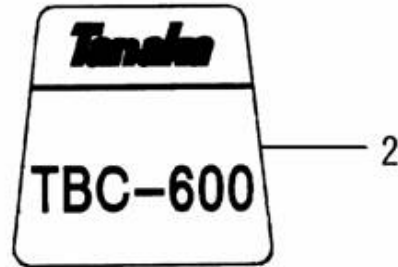
REF. NUMBER	PARTS NUMBER	DESCRIPTION	Q'TY	SERIAL NUMBER
B31-11 GEAR CASE				
001	668-8740	GEAR CASE ASS'Y 30DIY	1	
002	668-4709	HEX.HOLE BOLT M5X25/S	2	
004	668-4741	STOP RING C-28,INNER	1	
005	668-4664	STOP RING C-12 OUTER	1	
006	669-5532	BALL BEARING #6001Z, 28MM/OD	1	
007	669-5535	BALL BEARING 6001 C3	1	
009	668-8703	GEARCASE, SILVER	1	
010	668-4834	SPRING WASHER 5	1	B243451 -
011	668-4667	HEX.HOLE BOLT M5X12/S	1	- B243450
011	668-4829	HEX. SOCKET HD. BOLT M5X12	1	B243451 -
012	669-5437	PLUS HEAD BOLT 8X10	1	
013	669-5524	BALL BEARING #6000, 26MM/OD	1	
015	668-8933	GEAR SHAFT 6X11X14	1	
016	669-5563	BALL BEARING #6203D, 40MM/OD	1	
017	669-5298	STOP RING C-40, INNER	1	
018	668-9022	CUTTER HOLDER	1	
019	668-9052	CUTTER HOLDER CAP,6X11X14	1	
020	668-8982	PROTECTION COVER A COMP.	1	
021	669-5418	SCREW 5X16/WS	3	
022	668-9072	CUTTER FIXING NUT,L/H	1	
023	668-9157	GEAR CASE WASHER	2	
026	668-4714	HEX.HOLE BUTTON SCREW 6X25	2	
028	669-0299	COVER BRACKET	1	
029	669-0229	SAFETY COVER,30 DIA	1	
030	668-4748	SAFETY COVER HOLDER	1	
031	669-0372	COVER GUARD	1	
032	669-3386	KNIFE	1	
034	669-5334	SCREW 5X12/S	1	
035	668-8866	GEAR-PINION SET, SPARE	1	
036	668-4965	NUT M5	1	
040	668-8986	WINDING PROTECTOR COVER	1	
045	668-9168	SPLIT PIN SET(10 PCS/PACK)	1	
050	668-8994	PROTECTION COVER B	1	

B31-12 NYLON HEAD/TOOLS



REF. NUMBER	PARTS NUMBER	DESCRIPTION	Q'TY	SERIAL NUMBER
B31-12 NYLON HEAD/TOOLS				
000	669-3217	NYLON HEAD TH97LM	1	
001	669-3271	CUTTING BODY ASS'Y	1	
002	669-3328	EYELET	2	
004	669-3247	ADJUSTMENT BASE	1	
005	669-3377	SPRING (SILVER)	1	
006	669-3362	ADJUSTMENT WASHER	1	
007	669-3292	CORD REEL BK	1	
008	669-2271	STEEL BALL	3	
009	669-3358	REEL SLIDER	1	
010	669-3338	CUTTING BODY CAP	1	
012	668-9098	MOUNTING NUT, L-M10X1.25	1	
029	669-3492	BLADE 80 TEETH 255	1	
030	668-4813	HEX. BAR WRENCH 4MM	1	
031	668-4764	BOX WRENCH (HEX. SOCKET 17/19)	1	
032	669-3529	HEX. WRENCH 5	1	
035	668-4768	CUTTER COVER	2	

B31-13 LABELS



REF. NUMBER	PARTS NUMBER	DESCRIPTION	Q'TY	SERIAL NUMBER
B31-13 LABELS				
001	669-4139	NAME PLATE TBC600	1	
002	669-4611	SYMBOL MARK	1	
010	668-5056	CAUTION MARK	1	