

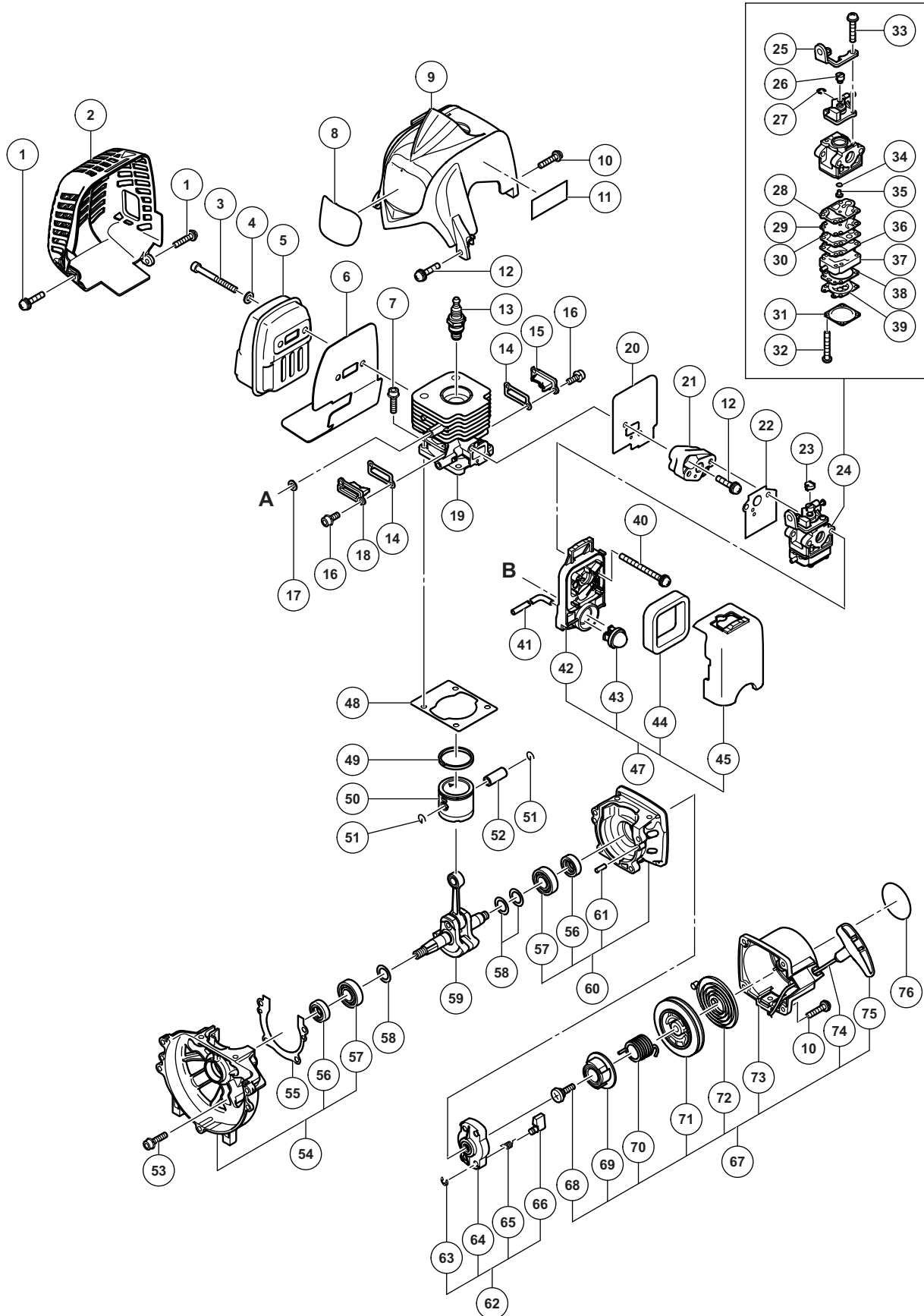
ENGINE TOOL PARTS LIST

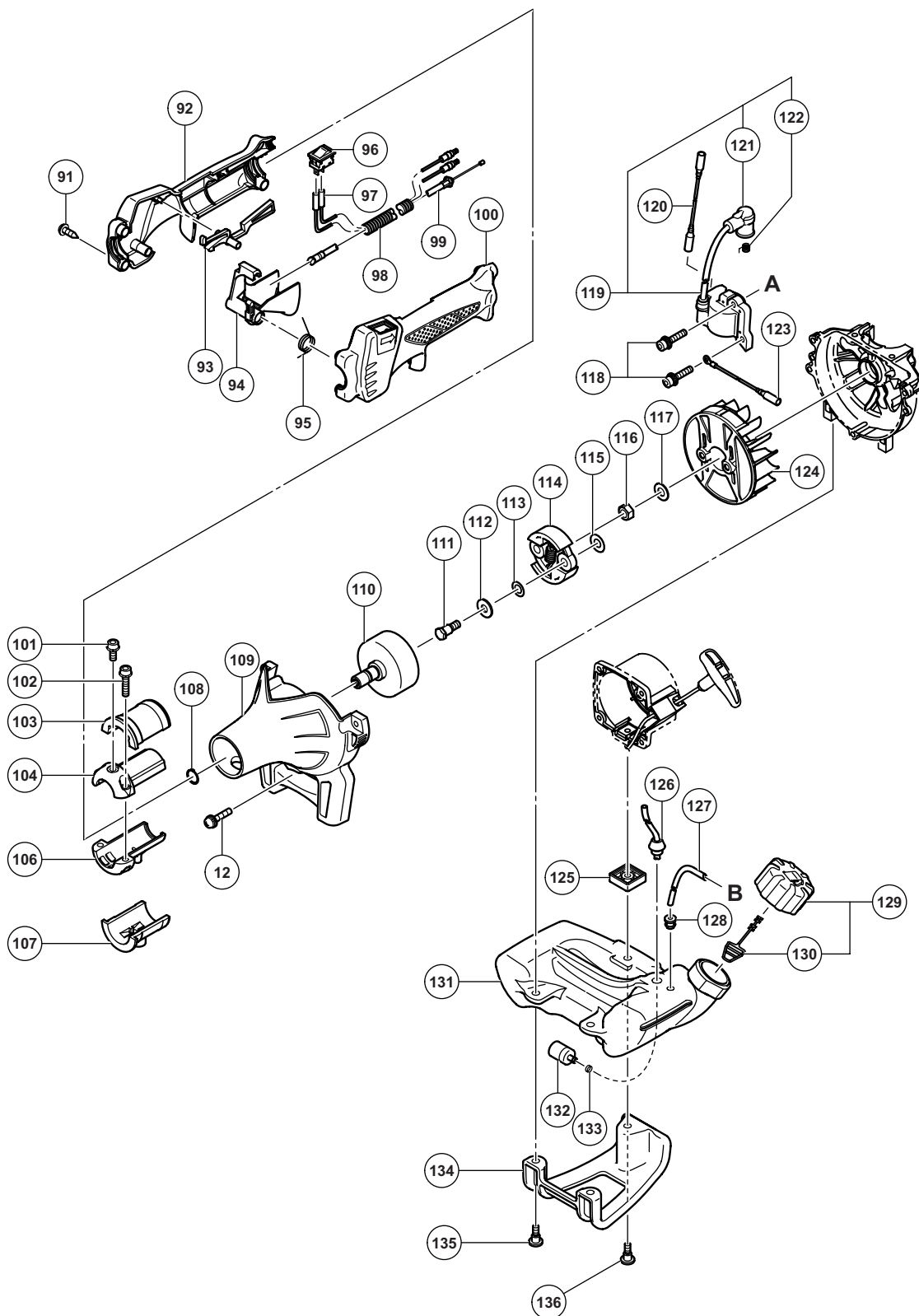
ENGINE BRUSH CUTTER

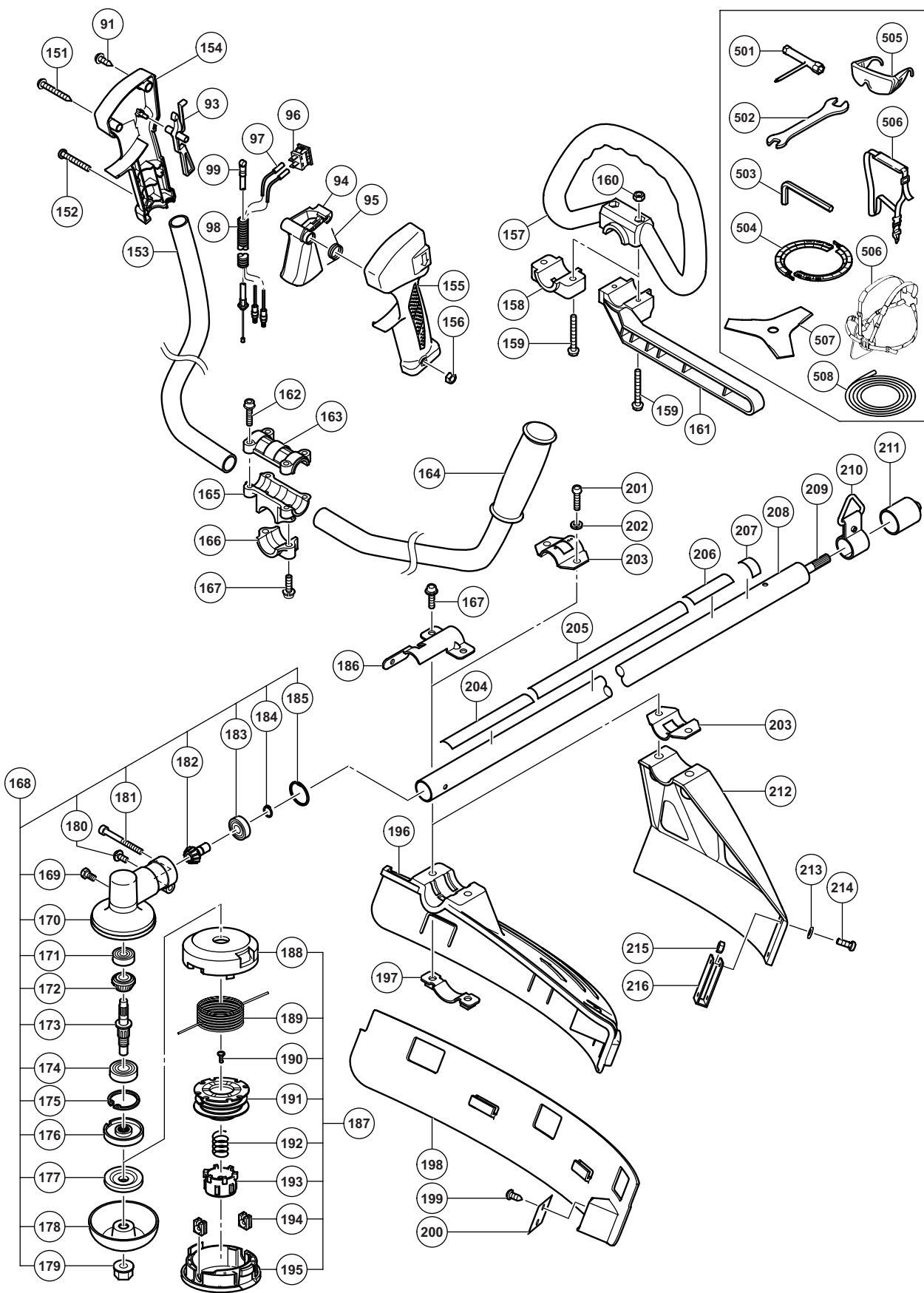
2010-11-18

Model TCG 27EASP (TANAKA BRAND)

(E1)







PARTS

TCG 27EASP

| ITEM NO. | CODE NO. | DESCRIPTION | NO. USED | REMARKS |
|----------|----------|---|----------|---------------|
| 1 | 887-021 | SCREW (W/WASHERS) M5 X 16 (BLACK) | 2 | |
| 2 | 669-8494 | MUFFLER COVER | 1 | |
| 3 | 669-8384 | HEX. SOCKET HD. BOLT M6 X 65 | 2 | |
| 4 | 949-432 | BOLT WASHER M6 (10 PCS.) | 2 | |
| 5 | 669-8476 | MUFFLER (B) | 1 | |
| 6 | 669-8491 | HEAT PROTECTION PANEL | 1 | |
| 7 | 669-6958 | HEX. SOCKET BOLT M5 | 4 | |
| * 8 | 669-6339 | TANAKA LABEL | 1 | |
| * 8 | 669-6340 | TANAKA LABEL | 1 | FOR USA, CAN |
| 9 | 669-8481 | CYLINDER COVER | 1 | |
| 10 | 307-606 | MACHINE SCREW (W/WASHERS) M4 X 20 (BLACK) | 4 | |
| 11 | | CAUTION LABEL | 1 | |
| 12 | 880-734 | MACHINE SCREW (W/WASHERS) M5 X 25 (BLACK) | 5 | |
| * 13 | 668-4584 | SPARK PLUG BMR7A | 1 | |
| * 13 | 668-5052 | SPARK PLUG CJ6 | 1 | FOR USA, CAN |
| 14 | 669-8365 | COVER PACKING | 2 | |
| 15 | 669-8484 | SCAVENGING COVER (A) | 1 | |
| 16 | 669-8385 | HEX. SOCKET HD. BOLT M4 X 12 | 4 | |
| 17 | 668-4600 | WASHER | 2 | |
| 18 | 669-8485 | SCAVENGING COVER (B) | 1 | |
| 19 | 669-8480 | CYLINDER | 1 | |
| 20 | 669-8473 | INTAKE PACKING | 1 | |
| 21 | 669-8387 | CARBURETOR INSULATOR | 1 | |
| 22 | 669-8405 | CARBURETOR PACKING | 1 | |
| 23 | 668-4628 | SWIVEL CAP | 1 | |
| 24 | 669-8489 | CARBURETOR ASS'Y | 1 | INCLUD. 25-39 |
| 25 | | BRACKET CABLE | 1 | |
| 26 | | SWIVEL | 1 | |
| 27 | | RING SPRING RETAINING | 1 | |
| 28 | | GASKET PUMP | 1 | |
| 29 | | DIAPHRAGM PUMP | 1 | |
| 30 | | PLATE PUMP | 1 | |
| 31 | | COVER-METERING DIAPHRAGM | 1 | |
| 32 | | SCREW (A) | 4 | |
| 33 | | SCREW (B) | 2 | |
| 34 | | O-RING | 1 | |
| 35 | | JET | 1 | |
| 36 | | GASKET PLATE | 1 | |
| 37 | | BODY ASS'Y PUMP | 1 | |
| 38 | | GASKET METERING DIAPHRAGM | 1 | |
| 39 | | DAIPHRAGM ASS'Y METERING | 1 | |
| 40 | 307-224 | MACHINE SCREW (W/WASHERS) M5 X 60 (BLACK) | 2 | |
| 41 | 669-6962 | FUEL PIPE | 1 | |
| 42 | | AIR CLEANER HOUSING | 1 | |
| 43 | 668-5139 | PRIMING PUMP COMP. | 1 | |
| 44 | 669-0347 | CLEANER ELEMENT | 1 | |
| 45 | | CLEANER COVER | 1 | |
| 47 | 669-6549 | AIR CLEANER ASS'Y | 1 | INCLUD. 42-45 |
| 48 | 669-8366 | CYLINDER PACKING | 1 | |
| 49 | 668-6121 | PISTON RING | 1 | |

PARTS

TCG 27EASP

| ITEM NO. | CODE NO. | DESCRIPTION | NO. USED | REMARKS |
|----------|----------|--|----------|--------------------|
| 50 | 669-8483 | PISTON | 1 | |
| 51 | 668-4590 | PISTON PIN CIR CLIP | 2 | |
| 52 | 668-4591 | PISTON PIN | 1 | |
| 53 | 669-8386 | HEX. SOCKET HD. BOLT (W/SP.WASHER) M5 X 18 | 4 | |
| 54 | 669-8370 | CRANK CASE (B) ASS'Y | 1 | INCLUD. 56, 57 |
| 55 | 669-8371 | CRANK CASE PACKING | 1 | |
| 56 | 668-4607 | OIL SEAL TB 12227 | 2 | |
| 57 | 669-5535 | BALL BEARING 6001 C3 | 2 | |
| 58 | 669-8490 | SHIM | 3 | |
| 59 | 669-8488 | CRANK SHAFT | 1 | |
| 60 | 669-8369 | CRANK CASE (A) ASS'Y | 1 | INCLUD. 56, 57, 61 |
| 61 | 669-6947 | KNOCK PIN 4 X 12 | 2 | |
| 62 | 668-4681 | STARTER PULLEY ASS'Y | 1 | INCLUD. 63-66 |
| 63 | 668-4683 | STOP RING E-5 | 2 | |
| 64 | | STARTER PULLEY | 1 | |
| 65 | 668-4684 | STARTER PAWL SPRING | 2 | |
| 66 | 668-4685 | STARTER PAWL | 2 | |
| 67 | 668-4672 | RECOIL STARTER BODY ASS'Y | 1 | INCLUD. 68-75 |
| 68 | 668-4679 | SET SCREW | 1 | |
| 69 | 668-4678 | CAM PLATE | 1 | |
| 70 | 668-4677 | DUMPER SPRING | 1 | |
| 71 | 668-4676 | STARTER ROPE REEL | 1 | |
| 72 | 668-4675 | RECOIL SPRING | 1 | |
| 73 | 668-4673 | RECOIL STARTER BODY COMP. | 1 | |
| 74 | 668-4674 | STARTER ROPE 3.5 X 860 | 1 | |
| 75 | 668-4680 | STARTER HANDLE | 1 | |
| 76 | | NAME PLATE | 1 | |
| * 91 | 305-812 | TAPPING SCREW (W/FLANGE) D4 X 16 (BLACK) | 4 | |
| * 91 | 305-812 | TAPPING SCREW (W/FLANGE) D4 X 16 (BLACK) | 1 | FOR EUROPE (S) |
| * 92 | 669-6487 | HANDLE (B) | 1 | FOR EUROPE (SL) |
| * 92 | 669-6942 | HANDLE (B) | 1 | FOR USA, CAN |
| * 93 | 669-6490 | LOCK LEVER | 1 | FOR EUROPE |
| 94 | 669-6488 | LEVER | 1 | |
| 95 | 669-6489 | SPRING (A) | 1 | |
| 96 | 669-6940 | STOP SWITCH | 1 | |
| * 97 | 669-6491 | STOP SWITCH CORD | 2 | |
| * 97 | 669-6592 | STOP SWITCH CORD | 2 | FOR EUROPE (S) |
| * 98 | 669-6967 | PROTECTION TUBE | 1 | |
| * 98 | 669-6594 | PROTECTION TUBE | 1 | FOR EUROPE (S) |
| * 99 | 669-6560 | THROTTLE WIRE COMP. | 1 | |
| * 99 | 669-6593 | THROTTLE WIRE COMP. | 1 | FOR EUROPE (S) |
| * 100 | 669-6486 | HANDLE (A) | 1 | FOR EUROPE (SL) |
| * 100 | 669-6941 | HANDLE (A) | 1 | FOR USA, CAN |
| 101 | 668-4667 | HEX.HOLE BOLT M5 X 12/S | 1 | |
| 102 | 669-5492 | HEX. HOLE BOLT 5 X 22/S | 2 | |
| 103 | 669-6963 | ANTI VIBE RUBBER (A) | 1 | |
| 104 | 669-8643 | PIPE HOLDER (A) | 1 | |
| 106 | 669-8644 | PIPE HOLDER (B) | 1 | |
| 107 | 669-6964 | ANTI VIBE RUBBER (B) | 1 | |
| 108 | 939-542 | RETAINING RING FOR D12 SHAFT (10 PCS.) | 1 | |

PARTS

TCG 27EASP

| ITEM NO. | CODE NO. | DESCRIPTION | NO. USED | REMARKS |
|----------|----------|--|----------|---------------------------------------|
| 109 | 669-8486 | FAN CASE | 1 | |
| 110 | 668-4663 | CLUTCH DRUM COMP. | 1 | |
| 111 | 669-6469 | STEP BOLT | 2 | |
| 112 | 668-4648 | BENT WASHER 8 | 2 | |
| 113 | 669-6546 | CLUTCH PLATE (A) | 2 | |
| 114 | 669-6948 | CLUTCH | 1 | |
| 115 | 669-6547 | CLUTCH WASHER (B) | 2 | |
| 116 | 668-5337 | FLYWHEEL NUT | 1 | |
| 117 | 323-212 | BOLT WASHER M8 (BLACK) | 1 | |
| 118 | 669-8388 | HEX. SOCKET HD. BOLT (W/WASHERS) M4 X 18 | 2 | |
| 119 | 669-8492 | IGNITION COIL ASS'Y | 1 | INCLUD. 121, 122 |
| 120 | 669-8495 | CORD | 1 | |
| 121 | | PLUG CAP | 1 | |
| 122 | | METAL FITTING OF PLUG CAP | 1 | |
| 123 | 669-6545 | EARTH CORD | 1 | |
| 124 | 669-8396 | MAGNETO ROTOR | 1 | |
| 125 | 669-8496 | SPACER | 1 | |
| 126 | 669-6551 | SHIELD TUBE | 1 | |
| 127 | 669-8401 | FUEL PIPE (PINK) | 1 | |
| 128 | 669-6970 | RETURN GROMMET | 1 | |
| 129 | 669-8402 | FUEL TANK CAP ASS'Y | 1 | INCLUD. 130 |
| 130 | | TANK CAP CHAIN | 1 | |
| * 131 | 669-8475 | TANK | 1 | |
| * 131 | 669-8377 | TANK | 1 | FOR USA, CAN |
| 132 | 668-4620 | PUMP FILTER BODY COMP. | 1 | |
| 133 | 669-6949 | CLIP | 1 | |
| 134 | 669-4787 | STAND | 1 | |
| 135 | 669-6557 | FLANGE BOLT | 2 | |
| 136 | 669-8512 | BOLT (W/FLANGE) L23.8 | 1 | |
| * 151 | 323-837 | TAPPING SCREW (W/FLANGE) D4 X 30 | 1 | FOR EUROPE (S) |
| * 152 | 323-041 | MACHINE SCREW M5 X 30 (BLACK) | 1 | FOR EUROPE (S) |
| * 153 | 669-8637 | HANDLE RIGHT | 1 | FOR EUROPE (S) |
| * 154 | 669-6590 | HANDLE (B) | 1 | FOR EUROPE (S) |
| * 155 | 669-6588 | HANDLE (A) | 1 | FOR EUROPE (S) |
| * 156 | 302-012 | NUT M5 (BLACK) | 1 | FOR EUROPE (S) |
| * 157 | 669-6975 | LOOP HANDLE | 1 | FOR EUROPE (SL), USA, CAN |
| * 158 | 669-6972 | HANDLE HOLDER (A) | 1 | FOR USA, CAN |
| * 159 | 669-6974 | BOLT (BLACK) M6 | 2 | FOR EUROPE (SL), USA, CAN |
| * 160 | 949-556 | NUT M6 (10 PCS.) | 2 | FOR EUROPE (SL), USA, CAN |
| * 161 | 669-6973 | BARRIER | 1 | FOR EUROPE (SL) |
| * 162 | 668-4709 | HEX.HOLE BOLT M5 X 25/S | 4 | FOR EUROPE (S) |
| * 163 | 669-6576 | HANDLE HOLDER (A) | 1 | FOR EUROPE (S) |
| * 164 | 669-8638 | HANDLE LEFT | 1 | FOR EUROPE (S) |
| * 165 | 669-6577 | HANDLE HOLDER (B) | 1 | FOR EUROPE (S) |
| * 166 | 669-6578 | HANDLE HOLDER (C) | 1 | FOR EUROPE (S) |
| * 167 | 668-4714 | HEX.HOLE BUTTON SCREW 6 X 25S | 4 | FOR EUROPE (S) |
| * 167 | 668-4714 | HEX.HOLE BUTTON SCREW 6 X 25S | 2 | FOR EUROPE (SL) |
| * 168 | 669-6485 | GEAR CASE ASS'Y 3BB (A) | 1 | INCLUD. 169-185 |
| * 168 | 669-6976 | GEAR CASE ASS'Y 3BB (B) SET | 1 | INCLUD. 169-176, 180-185 FOR USA, CAN |
| 169 | 669-6974 | BOLT (BLACK) M6 | 1 | |

PARTS

TCG 27EASP

| ITEM NO. | CODE NO. | DESCRIPTION | NO. USED | REMARKS |
|----------|----------|---|----------|------------------------------|
| 170 | | GEAR CASE D24 | 1 | |
| 171 | | BB.626 | 1 | |
| 172 | | GEAR | 1 | |
| 173 | | GEAR SHAFT D24 | 1 | |
| 174 | | BB.600DDU | 1 | |
| 175 | | C-RING D26 | 1 | |
| 176 | 669-6977 | CUTTER HOLDER (A) | 1 | |
| * 177 | | CUTTER HOLDER (B) | 1 | FOR EUROPE |
| * 178 | | NUT COVER | 1 | FOR EUROPE |
| * 179 | | LEFT HAND NYLON NUT M10 | 1 | FOR EUROPE |
| 180 | | SCREW W/SPRING WASHER M5 | 1 | |
| 181 | | HEX. BOLT M5 | 1 | |
| 182 | | PINION | 1 | |
| 183 | | BB.609Z | 1 | |
| 184 | | GRIP RING D9 | 1 | |
| 185 | | C-RING D24 | 1 | |
| * 186 | 669-6494 | COVER BRACKET | 1 | FOR EUROPE |
| * 187 | 669-6454 | NYLON HEAD ASS'Y | 1 | INCLUD. 188-195 |
| * 187 | 669-8639 | NYLON HEAD ASS'Y | 1 | INCLUD. 188-195 FOR USA, CAN |
| 188 | | COVER | 1 | |
| 189 | | NYLON CORD | 1 | |
| 190 | | SET SCREW | 1 | |
| 191 | | REEL | 1 | |
| 192 | | RETURN SPRING | 1 | |
| 193 | | BUTTON | 1 | |
| 194 | | CORD GUIDE | 2 | |
| 195 | | CASE | 1 | |
| * 196 | 669-6980 | COVER | 1 | FOR EUROPE |
| * 197 | 669-6951 | SAFETY COVER HOLDER | 1 | FOR EUROPE |
| * 198 | 669-6950 | COVER GUARD | 1 | FOR EUROPE |
| * 199 | 668-4751 | TAPPING SCREW 4 X 14 | 1 | FOR EUROPE |
| * 200 | 668-4750 | KNIFE | 1 | FOR EUROPE |
| * 201 | 668-5064 | HEX. SOCKET HD. BOLT (W/BUTTON) M6 X 20 | 2 | FOR USA, CAN |
| * 202 | 949-455 | SPRING WASHER M6 (10 PCS.) | 2 | FOR USA, CAN |
| * 203 | 669-6978 | COVER BRACKET | 2 | FOR USA, CAN |
| * 204 | 668-5061 | LEVEL MARK | 1 | FOR USA, CAN |
| * 205 | 668-4959 | CAUTION MARK | 1 | |
| * 205 | 668-5056 | CAUTION MARK | 1 | FOR USA, CAN |
| * 206 | 668-4852 | LEVEL MARK | 1 | FOR EUROPE (SL), USA, CAN |
| * 207 | 668-4851 | LEVEL MARK | 1 | FOR EUROPE |
| 208 | 669-6558 | MAIN PIPE COMP. | 1 | |
| 209 | 669-8514 | DRIVE SHAFT | 1 | |
| * 210 | 669-6493 | HANGER | 1 | FOR EUROPE |
| * 211 | 669-8515 | CAP (A) | 1 | FOR EUROPE |
| * 212 | 669-6981 | SAFETY COVER COMP. | 1 | FOR USA, CAN |
| * 213 | 949-554 | NUT M4 (10 PCS.) | 2 | FOR USA, CAN |
| * 214 | 323-210 | BOLT WASHER M4 (BLACK) | 2 | FOR USA, CAN |
| * 215 | 668-5068 | MACHINE SCREW (W/SP. WASHER) M4 X 12 | 2 | FOR USA, CAN |
| * 216 | 669-6584 | KNIFE | 1 | FOR USA, CAN |

