

**S06**

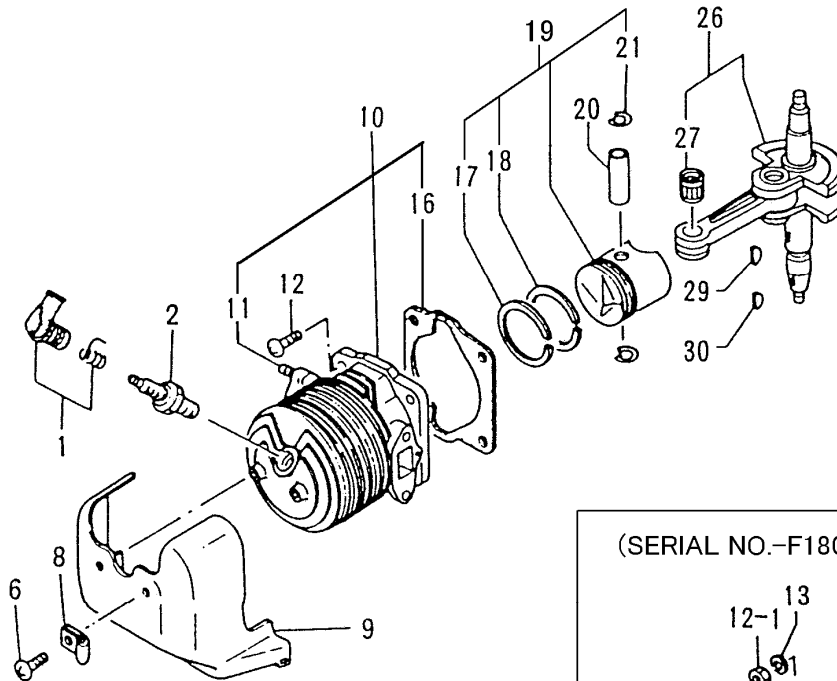
***Tanaka***

**TEA-500**

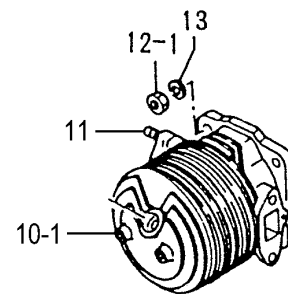
**Serial No. - C200000**

# S06-01 CYLINDER/PISTON/CRANK SHAFT

(SERIAL NO.F180280-)

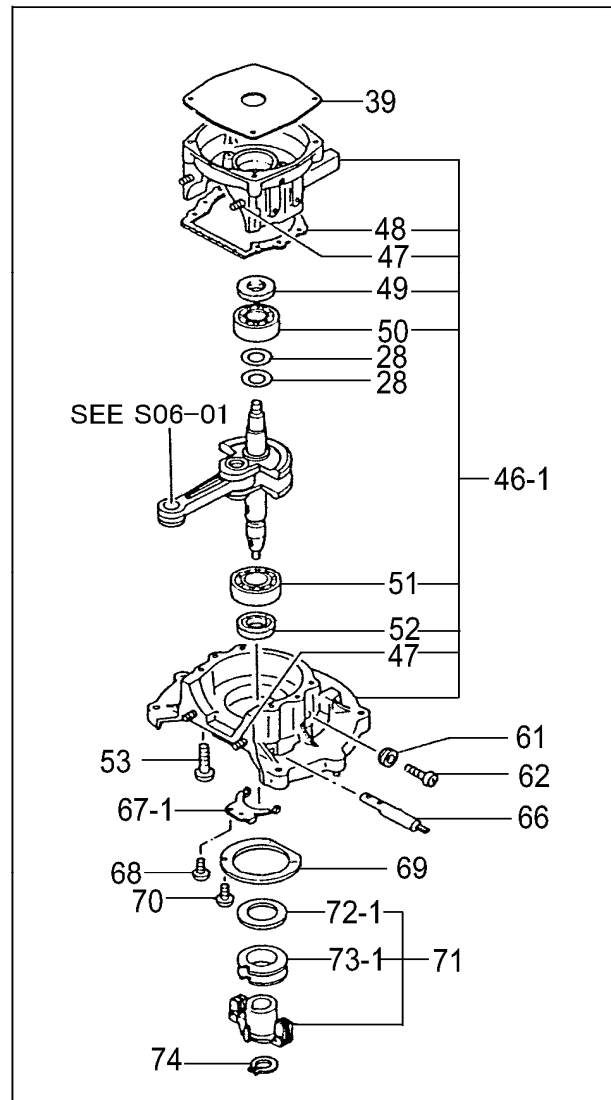
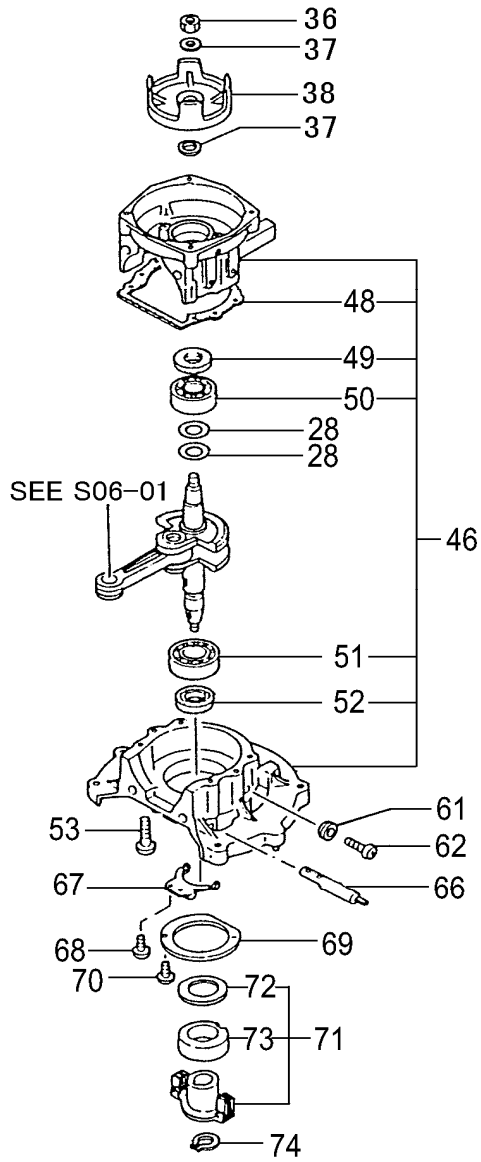


(SERIAL NO.-F180279)



REF. NUMBER	PARTS NUMBER	DESCRIPTION	Q'TY	SERIAL NUMBER
<b>S06-01 CYLINDER/PISTON/CRANK SHAFT</b>				
001	668-7479	SPARK PLUG CAP ASS'Y	1	
002	668-5767	SPARK PLUG BMR6A	1	
006	669-5319	SCREW 5X10/P	4	
008	668-8009	CORD CLAMP L	1	
009	668-5695	CYLINDER COVER	1	
010,1	668-5570	CYLINDER COMP.	1	- C160000
010	668-5498	CYLINDER SET	1	C160001 -
011	668-6771	STUD BOLT 6X22	2	
012,1	668-4792	NUT M6	4	- F180279
012	669-5495	HEX. HOLE BOLT 6X18/S	4	F180280 -
013	669-5219	S.WASHER 6	4	- F180279
016	668-5752	CYLINDER GASKET	1	
017	668-6051	PISTON RING	1	
018	668-6133	PISTON RING	1	
019	668-5903	PISTON SET	1	
020	668-6019	PISTON PIN 10X35	1	
021	668-6029	PISTON PIN CIRCLIP	2	
026	NLA	No Longer Available	1	- F180279
026	668-6224	CRANK SHAFT COMP.	1	F180280 -
027	669-5596	NEEDLE BRG F1010B 1.4X8.6	1	
029	668-4899	WOODRUFF KEY 3X13X4.5	1	
030	668-6457	WOOD-RUFF KEY 3X13X5	1	

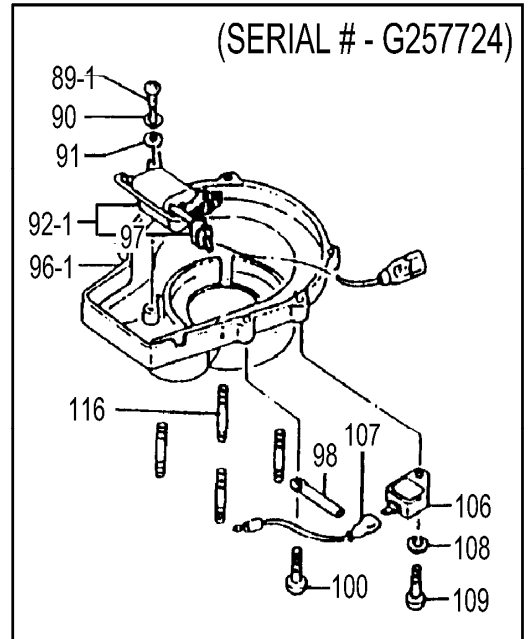
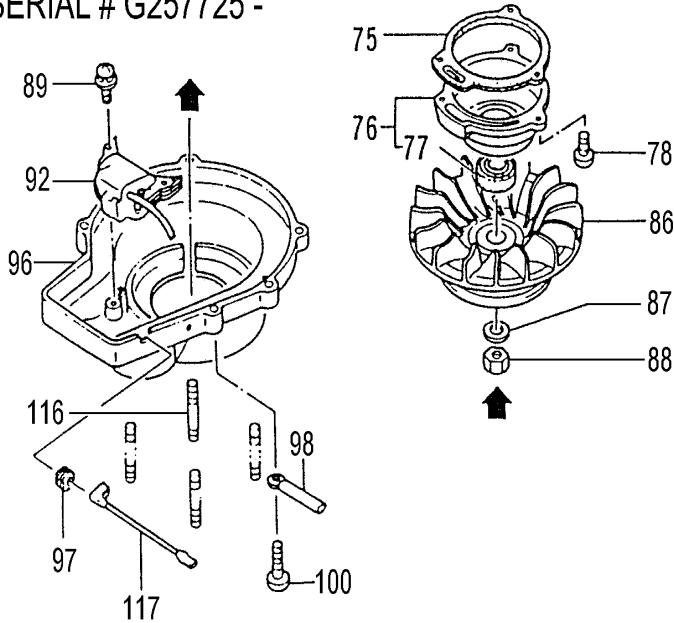
# S06-02 CRANK CASE/GOVERNOR



REF. NUMBER	PARTS NUMBER	DESCRIPTION	Q'TY	SERIAL NUMBER
<b>S06-02 CRANK CASE/GOVERNOR</b>				
028	668-6470	CRANK SHAFT SHIM 0.10	V	
028	668-6471	CRANK SHAFT SHIM 0.15	V	
028	668-6472	CRANK SHAFT SHIM 0.20	V	
028	668-6473	CRANK SHAFT SHIM 0.30	V	
036	669-5139	SMALL NUT 10	1	
037	668-4820	PULLEY WASHER	2	- P230330
037	668-4820	PULLEY WASHER	1	P230331 -
038	669-3409	STARTER PULLEY	1	
039	NLA	No Longer Available	1	- F180279
046,1	668-6594	CRANK CASE ASS'Y	1	- F180279
046	668-6595	CRANK CASE ASS'Y	1	F180280 -
047	668-6770	STUD BOLT 6X24	4	- F180279
048	668-6726	CRANK CASE GASKET	1	- P230330
048	668-6727	CRANK CASE GASKET	1	P230331 -
049	669-5641	OIL SEAL 15307	1	
050	669-5557	BALL BEARING #6202, 35MM/OD	1	
051	669-5562	BALL BEARING #6203, 40MM/OD	1	
052	669-5648	OIL SEAL UE17307	1	
053	669-5499	HEX.HOLE BOLT 6X30/S	4	
061	669-2685	DRAIN GASKET	1	
062	669-4926	SCREW 6X10	1	
066	668-9682	GOVERNOR SHAFT	1	
067,1	668-9678	GOVERNOR SHAFT ARM	1	- L031550
067	668-9679	GOVERNOR SHAFT ARM	1	L031551 -
068	669-4855	SCREW 3X6	2	
069	668-9174	OIL PARTITION	1	
070	669-4861	SCREW 4X8	2	
071	668-7057	GOVERNOR ASS'Y	1	
072,1	668-9779	GOVERNOR PLATE	1	- L031550
072	668-9780	GOVERNOR PLATE	1	L031551 -
073,1	NLA	No Longer Available	1	- L031550
073	668-9782	GOVERNOR SLEEVE	1	L031551 -
074	669-5285	STOP RING C-15, OUTER	1	

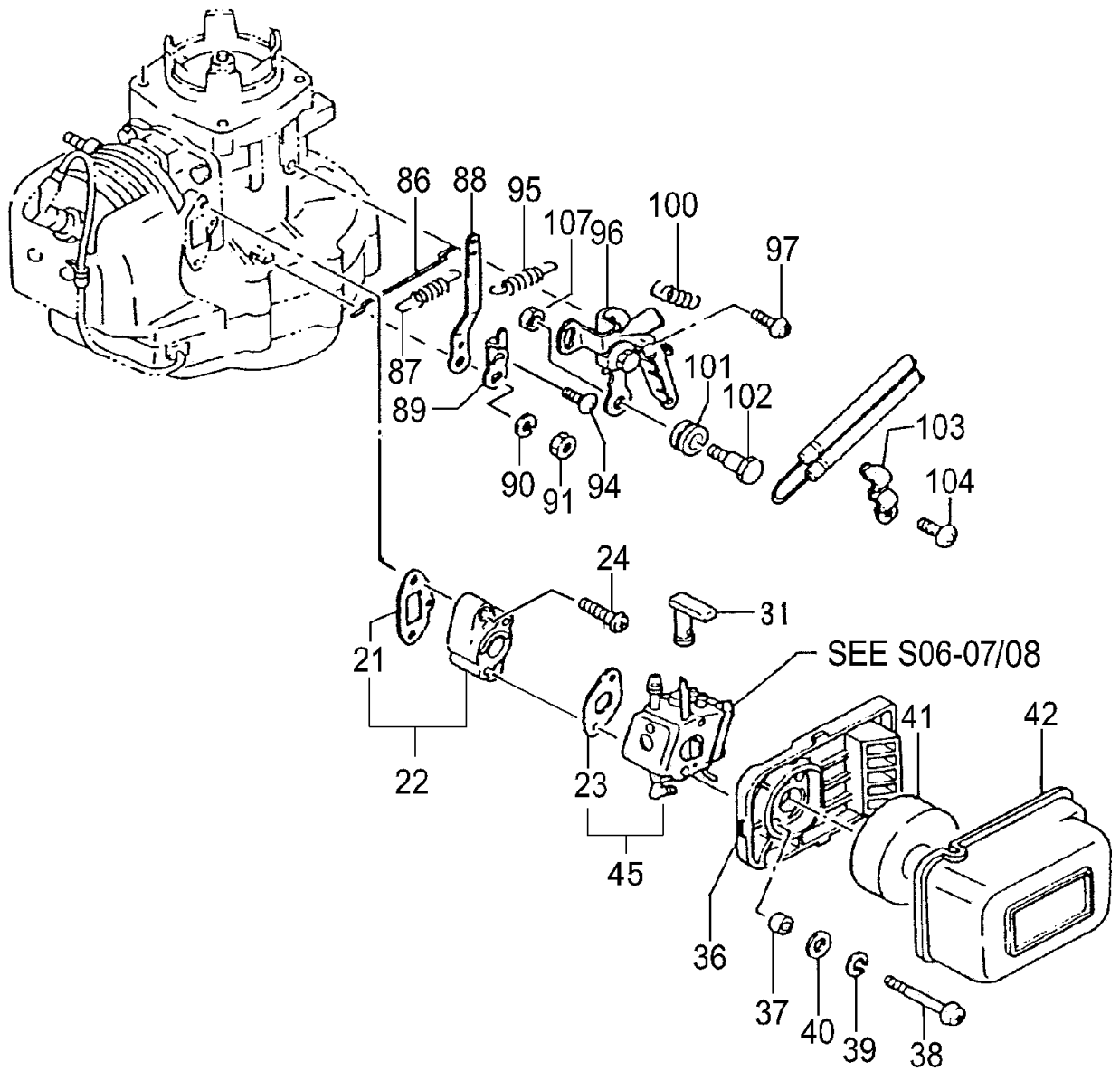
# S06-03 FAN CASE

SERIAL # G257725 -



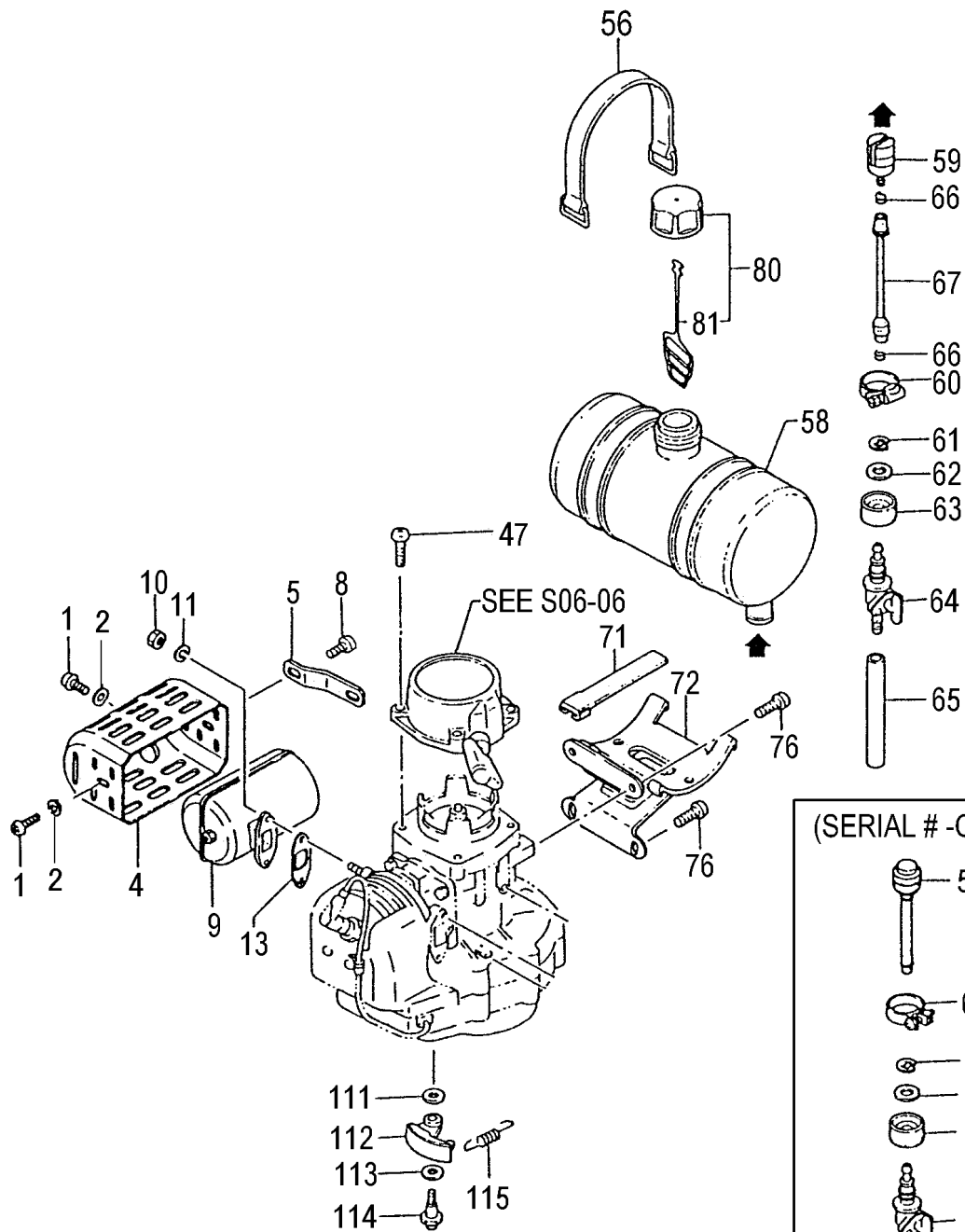
REF. NUMBER	PARTS NUMBER	DESCRIPTION	Q'TY	SERIAL NUMBER
<b>S06-03</b>	<b>FAN CASE</b>			
075	668-9775	GOVERNOR COVER GASKET	1	
076	668-9771	GOVERNOR COVER ASS'Y	1	
077	669-5637	OIL SEAL UD15257	1	
078	669-4863	SCREW 4X10	3	
086	668-7405	MAGNETO ROTOR COMP.	1	
087	669-5198	WASHER 10	1	
088	669-5134	NUT 10 (L.H. THREAD)	1	
089,1	669-4871	SCREW 4X18	2	- G257724
089	669-5410	SCREW 4X22/WS	2	G257725 -
090	669-5211	S.WASHER 4	2	- G257724
091	669-5180	SMALL WASHER 4	2	- G257724
092,1	NLA	No Longer Available	1	- G257724
092	668-7710	IGNITION COIL COMP.	1	G257725 -
096,1	NLA	No Longer Available	1	- G257724
096	668-7046	FAN CASE	1	G257725 -
097	668-8040	GROMMET	1	
098	668-8004	CORD CLAMP COMP.	1	
100	669-5363	SCREW 6X25/S	4	
106	NLA	No Longer Available	1	- G257724
107	668-7784	IGNITOR LEAD WIRE COMP., R11	1	- G257724
108	669-5211	S.WASHER 4	1	- G257724
109	669-4861	SCREW 4X8	1	- G257724
116	668-6772	STUD BOLT 6X36	4	
117	668-7826	STOP CORD COMP.	1	G257725 -

# S06-04 ENGINE-1



REF. NUMBER	PARTS NUMBER	DESCRIPTION	Q'TY	SERIAL NUMBER
<b>S06-04</b>	<b>ENGINE-1</b>			
021	668-9899	INLET MANIFOLD GASKET	1	
022	668-9980	CARBURETOR INSULATOR SET	1	
023	668-9826	CARBURETOR GASKET	1	
024	669-5423	SCREW 5X24WS	2	
031	669-1004	CHOKE LEVER	1	
036	669-0128	CLEANER BODY	1	
037	669-2244	COLLAR 5.8	2	
038	669-4912	SCREW 5X53	2	- C160000
038	669-5352	SCREW 5X55S	2	C160001 -
039	668-4662	S.WASHER 5	2	- C160000
040	668-4864	SMALL WASHER 5	2	
041	669-0366	SPONGE	1	
042	669-0158	CLEANER CAP	1	
045	669-0523	CARBURETOR SET HDA178	1	C160001 -
086	669-0964	THROTTLE ROD	1	
087	668-9714	GOVERNOR ROD SPRING	1	
088	668-9719	GOVERNOR OUTER LEVER	1	
089	668-9687	GOVERNOR SPRING LEVER	1	
090	669-5219	S.WASHER 6	1	
091	668-4872	LOCK NUT M6	1	
094	669-5368	SCREW 4X8/PS	1	
095	668-9697	GOVERNOR SPRING	1	
096	669-3590	CONTROL LEVER ASS'Y	1	
097	669-5413	SCREW 5X10 WS	2	
100	669-4056	WIRE RETURN SPRING	1	
101	669-4037	THROTTLE SHAFT GUIDE	1	
102	668-9627	STEP BOLT	1	
103	669-4057	WIRE CLAMP	1	
104	669-5413	SCREW 5X10 WS	1	
107	669-5159	U-NUT 6	1	

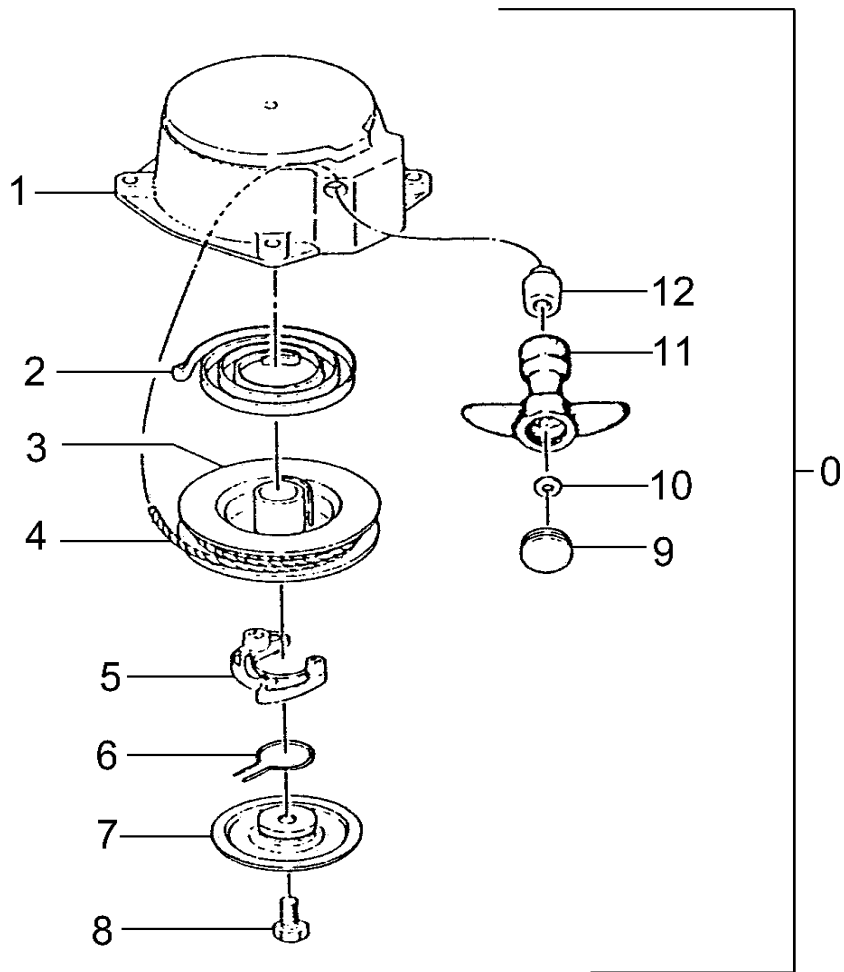
# S06-05 ENGINE-2





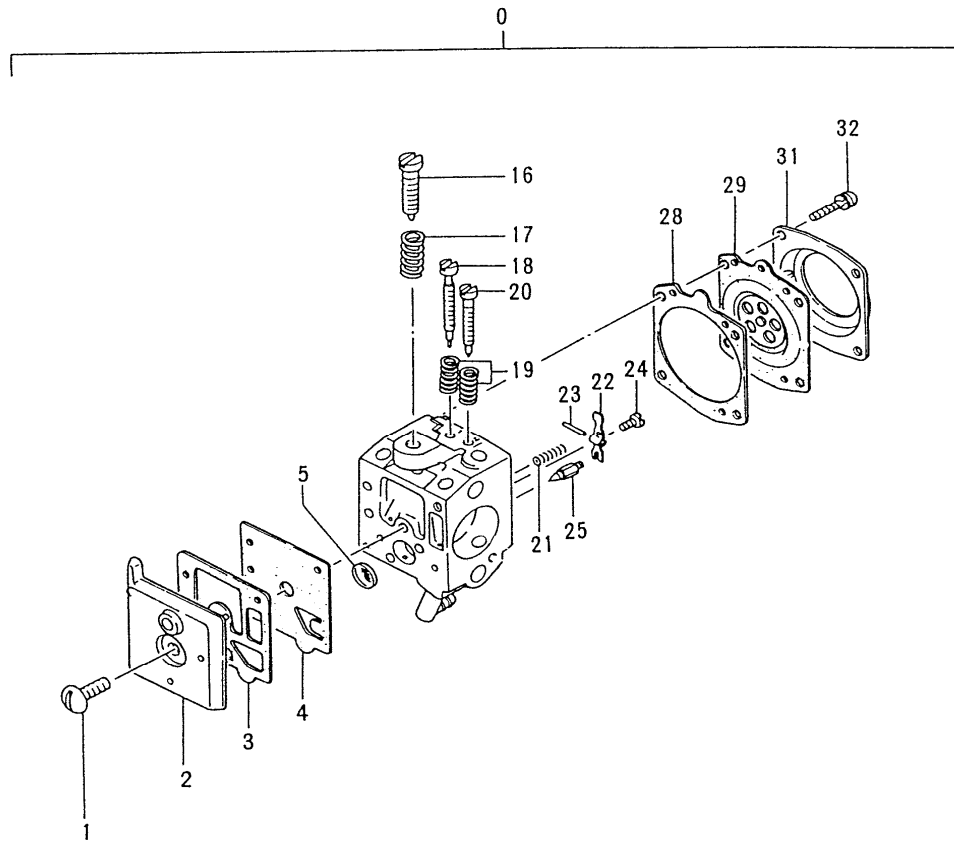
REF. NUMBER	PARTS NUMBER	DESCRIPTION	Q'TY	SERIAL NUMBER
<b>S06-05</b>	<b>ENGINE-2</b>			
001	669-5356	SCREW 6X8/S	2	
002	668-4639	WASHER 6	2	
004	669-2820	MUFFLER PROTECTOR	1	
005	669-2706	MUFFLER STAY	1	
008	669-5399	SCREW 6X12/PS	1	
009	669-2580	MUFFLER COMP.	1	
010	668-4792	NUT M6	2	
011	669-5219	S.WASHER 6	2	
013	669-2746	MUFFLER GASKET 1.5T	1	
047	669-5388	SCREW 5X18/PS	4	
056	669-1926	FUEL TANK BAND COMP.	2	
058	669-1610	TANK	1	
059,1	669-1806	PUMP FILTER ASS'Y	1	- G187120
059	668-4620	PUMP FILTER BODY COMP.	1	G187121 -
060	669-2316	HOSE CLIP ASS'Y	1	
061	669-5310	STOP RING E-6	1	
062	669-5184	SMALL WASHER 8	1	
063	669-1333	PET-COCK HOLDING RUBBER	1	
064	669-1653	PET-COCK ASS'Y	1	
065	669-2366	FUEL PIPE 3X5X230	1	
066	669-2312	CLIP 7	2	G187121 -
067	669-2297	RUBBER PIPE	1	G187121 -
071	669-2232	CUSHION RUBBER	2	
072	669-1985	TANK HOLDING METAL COMP.	1	
076	669-5399	SCREW 6X12/PS	4	
080	669-1736	TANK CAP D ASS'Y, ORANGE	1	
081	668-4625	TANK CAP CHAIN	1	
111	668-9645	CLUTCH WASHER B	3	
112	668-8617	CLUTCH ARM COMP.	3	
113	668-9638	CLUTCH WASHER A	3	
114	668-9633	CLUTCH STEP BOLT	3	
115	668-9434	CLUTCH SPRING	3	

# S06-06 RECOIL STARTER



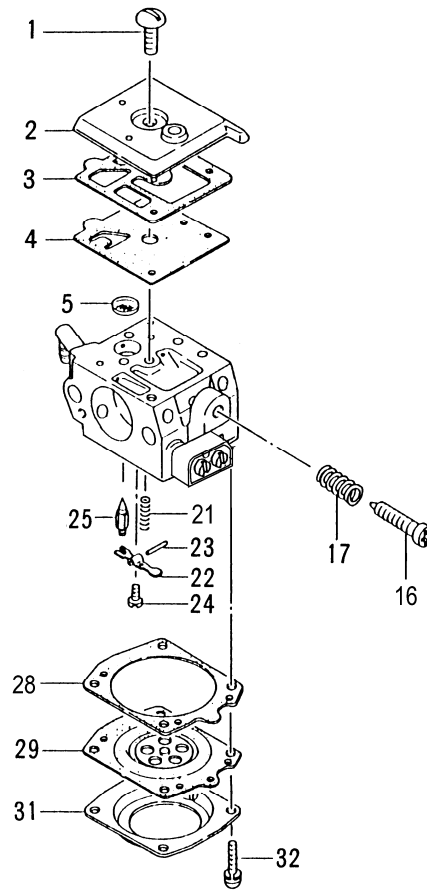
REF. NUMBER	PARTS NUMBER	DESCRIPTION	Q'TY	SERIAL NUMBER
<b>S06-06 RECOIL STARTER</b>				
000	NLA	No Longer Available	1	- F180279
000	669-2995	RECOIL STARTER BODY ASS'Y	1	F180280 -
001	NLA	No Longer Available	1	- F180279
001	669-3044	RECOIL STARTER BODY	1	F180280 -
002	669-3123	RECOIL SPRING	1	
003	669-3085	STARTER ROPE REEL COMP.	1	
004	669-3176	STARTER ROPE	1	
005	669-3322	STARTER PAWL	1	
006	669-3617	FRICTION SPRING	1	
007	669-3630	FRICTION PLATE	1	
008	669-4982	BOLT 6X12	1	
009	669-3610	STARTER HANDLE CAP	1	
010	669-3383	ROPE STOPPER	1	
011	669-3241	STARTER HANDLE	1	
012	669-3140	ROPE GUIDE	1	

# S06-07 CARBURETOR (SERIAL # - C160000)



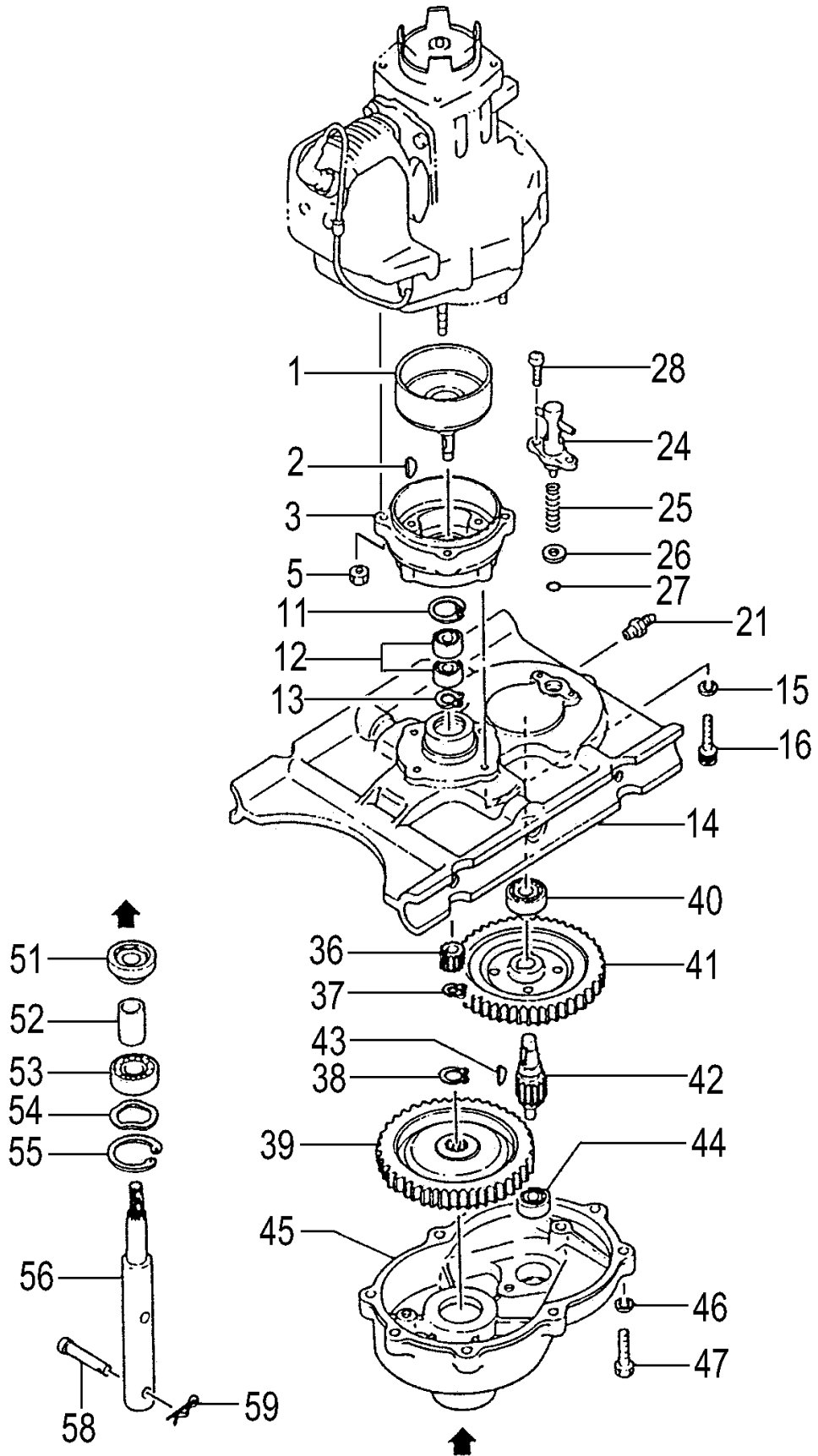
REF. NUMBER	PARTS NUMBER	DESCRIPTION	Q'TY	SERIAL NUMBER
<b>S06-07 CARBURETOR</b>				
000	669-0590	CARBURETOR ASS'Y, HDA-43A	1	
001	668-5210	SCREW	1	
002	669-1420	PUMP BODY	1	
003	669-1455	PUMP GASKET	1	
004	669-1446	PUMP DIAPHRAGM	1	
005	668-4700	INLET SCREEN	1	
016	669-0736	IDLE ADJUST SCREW	1	
017	669-0766	IDLE ADJUST SPRING	1	
018	669-0715	LOW ADJUST SCREW	1	
019	669-2048	HIGH/LOW ADJUST SPRING	2	
020	669-0692	HIGH ADJUST SCREW	1	
021	669-0867	VALVE SPRING	1	
022	669-0819	CONTROL LEVER	1	
023	668-5219	HINGE PIN	1	
024	668-5218	HINGE PIN SET SCREW	1	
025	668-5215	NEEDLE VALVE	1	
028	669-0838	DIAPHRAGM GASKET	1	
029	669-0828	METERING DIAPHRAGM COMP.	1	
031	669-0858	DIAPHRAGM COVER	1	
032	668-5223	SET SCREW	4	
	669-2185	REPAIR KIT K10HDA	1	
	669-2195	GASKET/DIA. KIT, D10HDA	1	

# S06-08 CARBURETOR (SERIAL # C160001 -)



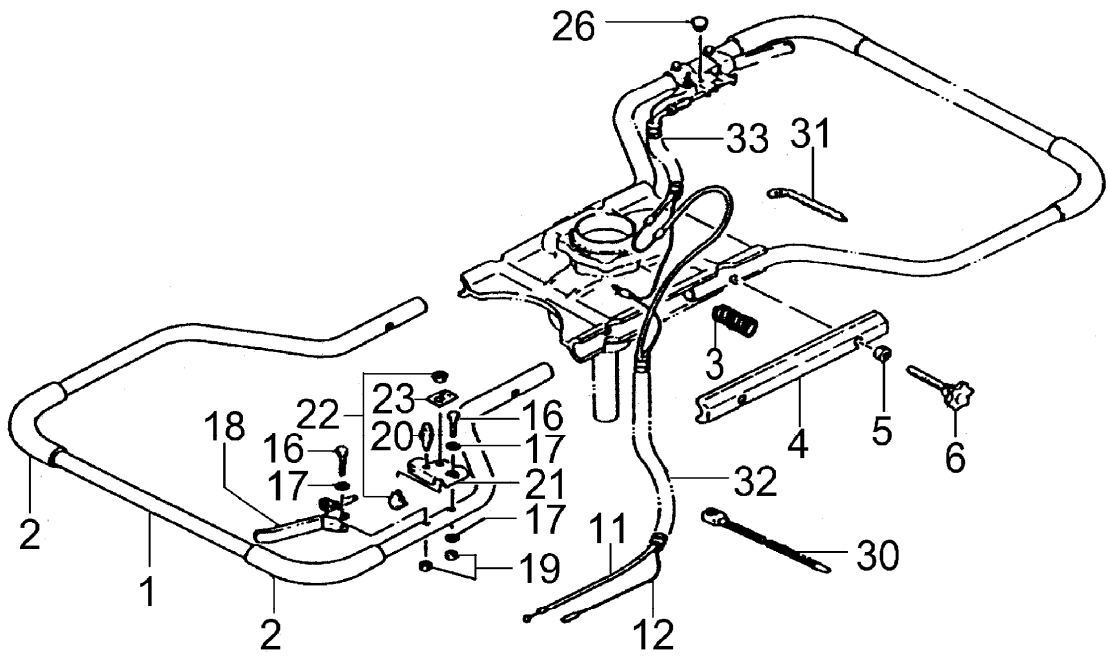
REF. NUMBER	PARTS NUMBER	DESCRIPTION	Q'TY	SERIAL NUMBER
<b>S06-08 CARBURETOR (FOR EMISSION)</b>				
001	668-5210	SCREW	1	
002	669-1420	PUMP BODY	1	
003	669-1455	PUMP GASKET	1	
004	669-1446	PUMP DIAPHRAGM	1	
005	668-4700	INLET SCREEN	1	
016	669-0736	IDLE ADJUST SCREW	1	
017	669-0766	IDLE ADJUST SPRING	1	
021	669-0873	VALVE SPRING	1	
022	669-0819	CONTROL LEVER	1	
023	668-5219	HINGE PIN	1	
024	668-5218	HINGE PIN SET SCREW	1	
025	668-5215	NEEDLE VALVE	1	
028	669-0838	DIAPHRAGM GASKET	1	
029	669-0828	METERING DIAPHRAGM COMP.	1	
031	669-0858	DIAPHRAGM COVER	1	
032	668-5223	SET SCREW	4	
	669-2185	REPAIR KIT K10HDA	1	
	669-2195	GASKET/DIA. KIT, D10HDA	1	

# S06-09 GEAR CASE



REF. NUMBER	PARTS NUMBER	DESCRIPTION	Q'TY	SERIAL NUMBER
<b>S06-09</b>	<b>GEAR CASE</b>			
001	668-5911	CLUTCH SHAFT COMP.	1	
002	668-4899	WOODRUFF KEY 3X13X4.5	1	
003	668-5596	GEAR CASE C	1	
005	669-5475	SPRING NUT 6	4	
011	669-5295	STOP RING C-32, INNER	1	
012	669-5538	BALL BEARING #6002Z, 32MM/OD	2	
013	669-5285	STOP RING C-15, OUTER	1	
014	668-5581	GEAR CASE A COMP.	1	
015	669-5219	S.WASHER 6	4	
016	669-5059	HEX. HOLE BOLT 6X18	4	
021	668-8643	GREASE NIPPLE COMP.	1	
024	668-9987	LOCK COMP.	1	
025	668-9905	LOCK PIN SPRING	1	
026	669-2944	WASHER	1	
027	669-5665	O-RING P-7	1	
028	669-5417	SCREW 5X16/WS	2	
036	668-5606	GEAR 1	1	
037	668-4821	STOP RING C-10, OUTER	1	
038	669-5288	STOP RING C-22, OUTER	1	
039	668-5789	GEAR 4	1	
040	669-5557	BALL BEARING #6202, 35MM/OD	1	
041	668-5658	GEAR 2	1	
042	668-5704	GEAR 3	1	
043	668-6460	WOOD-RUFF KEY 4X16X5	1	
044	669-5551	BALL BEARING #6200, 30MM/OD	1	
045	668-5594	GEAR CASE B	1	
046	669-5219	S.WASHER 6	6	
047	669-5021	PLUS BOLT 6X22	6	
051	669-5523	ROLLER BRG #30205J 6.5X10.5	1	
052	668-6066	BEARING STOPPER	1	
053	669-5565	BALL BEARING #6205Z, 52MM/OD	1	
054	669-5208	WAVE WASHER B.B.	1	
055	669-5300	STOP RING C-52, INNER	1	
056	668-5825	DRIVE SHAFT	1	
058	669-3554	PIN	2	
059	669-3558	SNAP PIN 8	2	

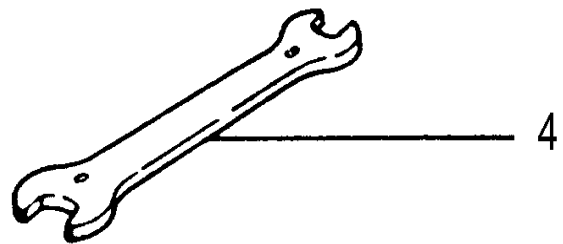
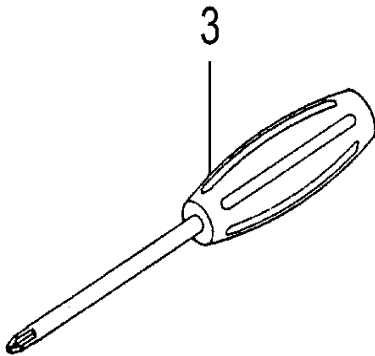
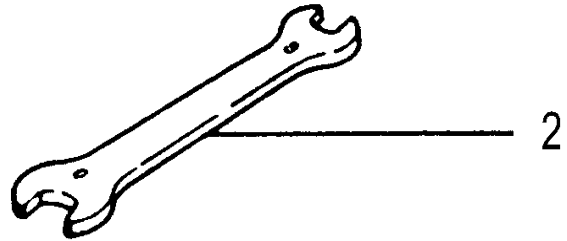
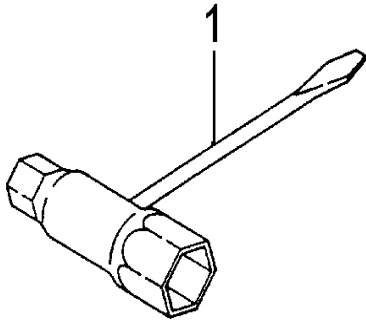
# S06-10 HANDLE



REF. NUMBER	PARTS NUMBER	DESCRIPTION	Q'TY	SERIAL NUMBER
<b>S06-10 HANDLE</b>				
001	668-8342	HANDLE	2	
002	668-6351	HANDLE GRIP	4	
003	668-8418	SPRING	2	- F180279
004	668-8409	HANDLE BRACKET	2	
005	669-5132	NUT 10	4	
006	668-8417	KNOB COMP.	4	
011	669-3930	THROTTLE WIRE COMP.	1	
012	668-7880	STOP CORD COMP.	1	
016	669-4992	BOLT 6X35	4	
017	668-4639	WASHER 6	6	
018	668-6801	THROTTLE LEVER COMP.	2	
019	669-5159	U-NUT 6	4	
020	668-6434	PUSH PIN COMP.	1	
021	669-6370	STOP SWITCH BRACKET	2	
022	668-7502	STOP SWITCH ASS'Y	2	
023	668-7949	SWITCH NAME PLATE	2	
026	669-1822	ANTI-VIBE RUBBER	1	
030	668-8022	CORD CLAMP	2	F180280 -
030	668-8022	CORD CLAMP	2	- Q080470
030	668-8022	CORD CLAMP	3	Q080471 -
031	NLA	No Longer Available	3	- F180279
031	NLA	No Longer Available	1	F180280 -
031	NLA	No Longer Available	1	- Q080470
032	668-7616	PROTECTION TUBE 13X680L	1	
033	668-7614	PROTECTION TUBE 13X500L	1	

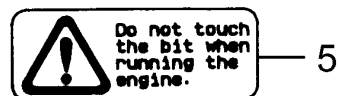
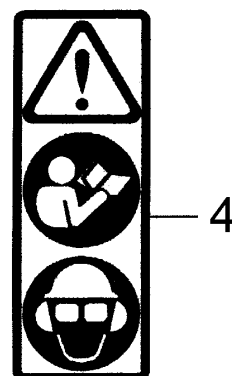
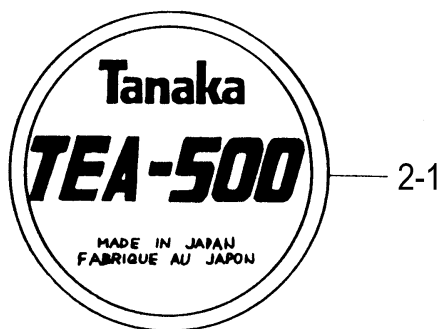
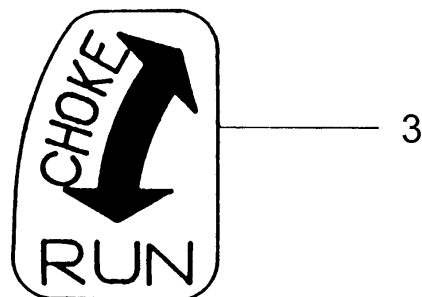
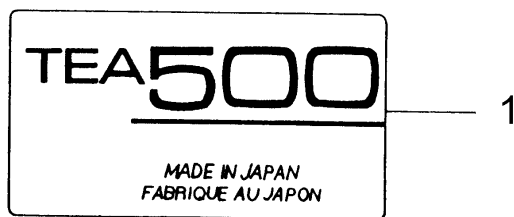


# S06-11 TOOLS & OPTIONAL PARTS



REF. NUMBER	PARTS NUMBER	DESCRIPTION	Q'TY	SERIAL NUMBER
<b>S06-11 TOOLS &amp; OPTIONAL PARTS</b>				
001	668-5257	COMBI BOX SPANNER 10/19MM	1	F075345 -
002	669-3479	SPANNER 10X13	1	
003	669-3665	PLUS DRIVER 4	1	
004	669-3498	SPANNER 13X17	1	

# S06-12 DECALS



REF. NUMBER	PARTS NUMBER	DESCRIPTION	Q'TY	SERIAL NUMBER
<b>S06-12 DECALS</b>				
001	669-4259	NAME PLATE TEA-500	1	J048041 -
002,1	669-4258	NAME PLATE	1	- J048040
002	669-4815	PROFORCE MARK A	1	J048041 -
003	669-4429	CHOKE MARK	1	
004	669-4564	CAUTION MARK	1	C160001 -
005	669-4574	CAUTION MARK	1	C160001 -