

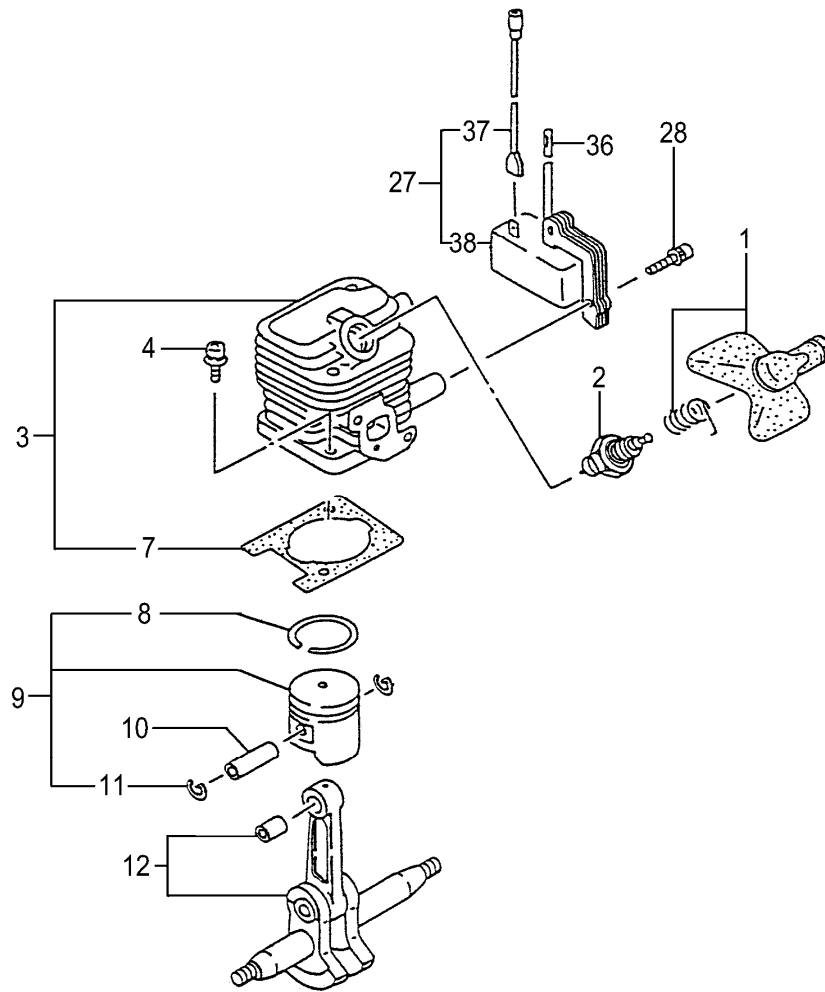
S14

Tanaka

TED-210

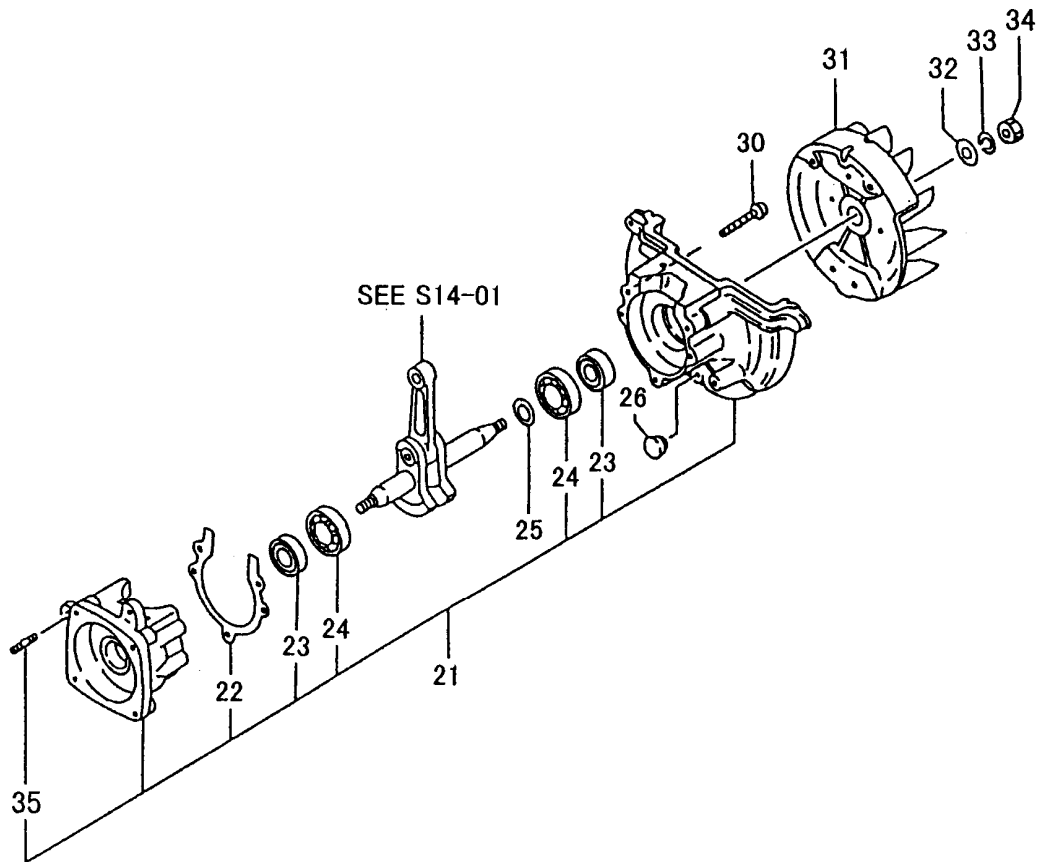
Serial No. - E100000

S14-01 CYLINDER/PISTON/CRANK CASE



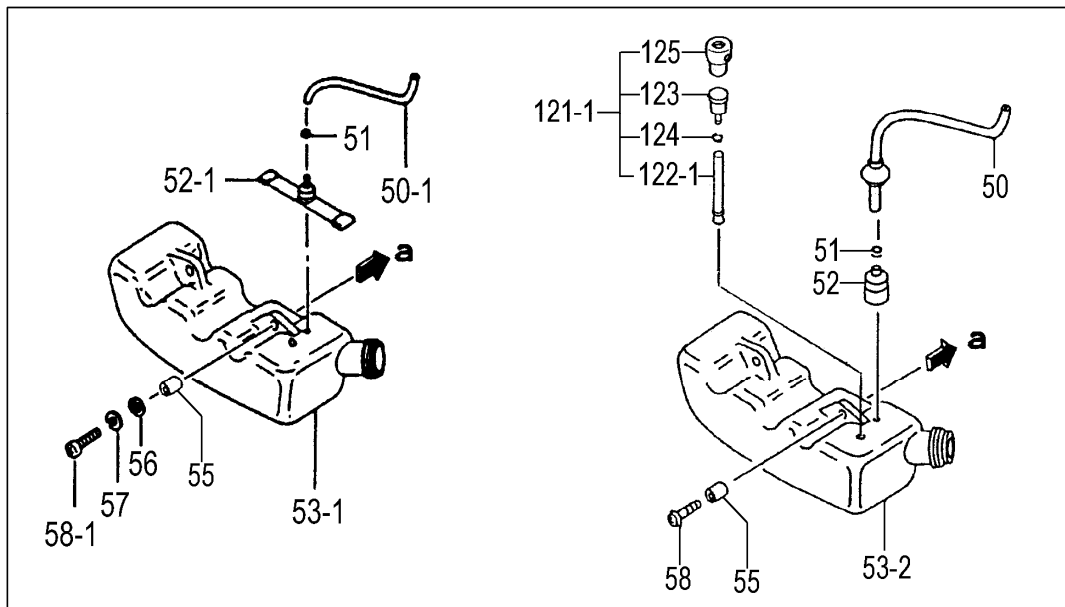
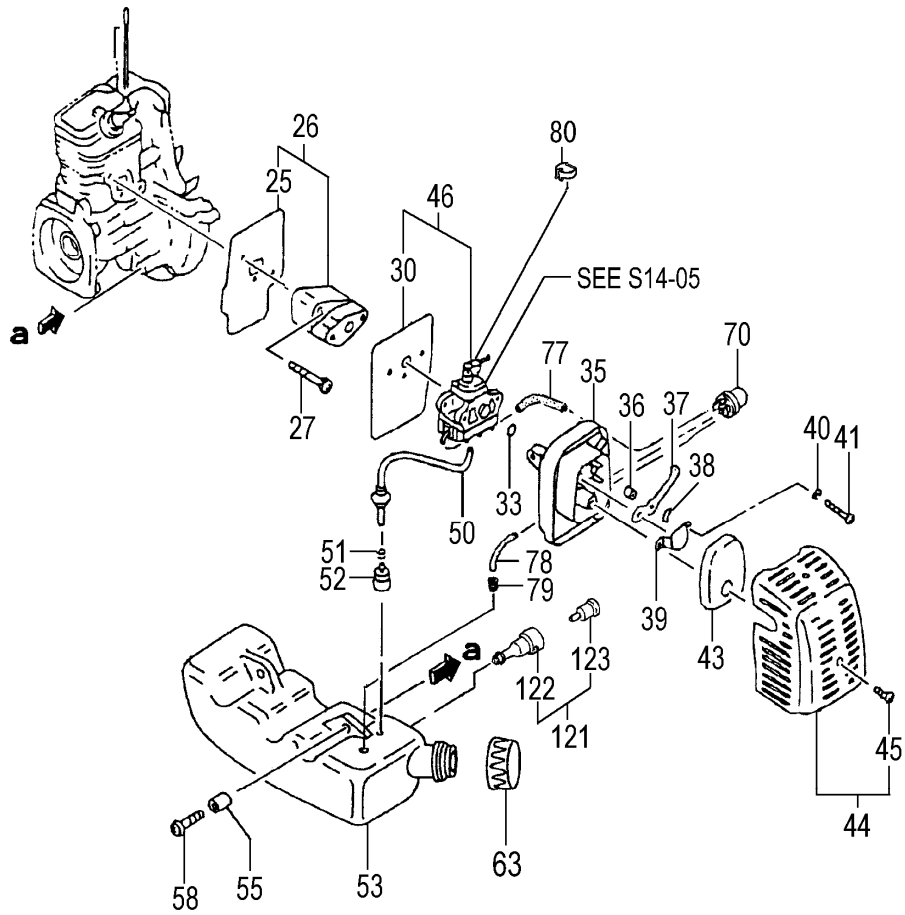
REF. NUMBER	PARTS NUMBER	DESCRIPTION	Q'TY	SERIAL NUMBER
S14-01 CYLINDER/PISTON/CRANK CASE				
001	668-7476	SPARK PLUG CAP ASS'Y	1	
002	668-5085	SPARK PLUG BPM6A	1	
003	668-5480	CYLINDER SET	1	
004	668-4586	HEX.HOLE BOLT M5X18/S	2	
007	668-5744	CYLINDER GASKET	1	
008	668-6118	PISTON RING	1	
009	668-5891	PISTON SET, SPARE	1	- Y306000
009	668-5892	PISTON SET	1	Y306001 -
010	668-6015	PISTON PIN	1	
011	668-6028	PISTON PIN CIRCLIP	2	
012	668-6205	CRANK SHAFT COMP.	1	
027	668-7350	IGNITION COIL ASS'Y	1	
028	669-5407	HIGH TENSION SCREW 4X18WS	2	
036	668-4597	INSULATOR TUBE 50L	1	
037	668-7866	CORD	1	R107152 -
038	668-7698	IGNITION COIL COMP.	1	R107152 -

S14-02 CRANK CASE



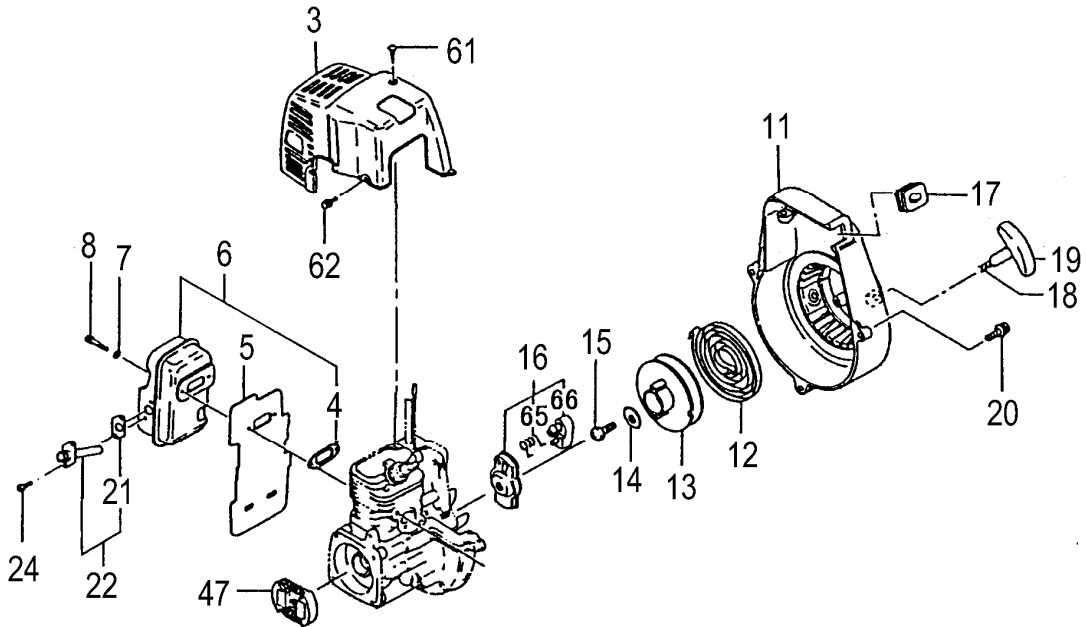
REF. NUMBER	PARTS NUMBER	DESCRIPTION	Q'TY	SERIAL NUMBER
S14-02 CRANK CASE				
021	668-6575	CRANKCASE ASS'Y	1	
022	668-6720	CRANKCASE GASKET	1	
023	668-4607	OIL SEAL TB 12227	2	
024	669-5535	BALL BEARING 6001 C3	2	
025	668-9177	GEAR SHAFT SHIM 0.10	V	
025	668-9178	GEAR SHAFT SHIM 0.15	V	
025	668-4604	GEAR SHAFT SHIM 0.20	V	
025	668-4605	GEAR SHAFT SHIM 0.30	V	
026	669-1822	ANTI-VIBE RUBBER	1	
030	668-4786	HEX. SOCKET HD. BOLT M5X30	3	
031	668-7389	MAGNETO ROTOR COMP.	1	
032	668-4611	WASHER M8	1	
033	668-4971	S.WASHER 8	1	
034	668-4612	HEX.NUT M8	1	
035	668-6778	STUD BOLT 6X26	2	

S14-03 ENGINE-1



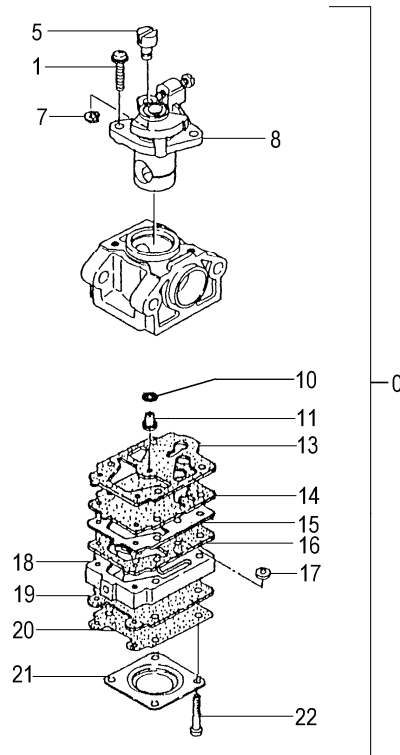
REF. NUMBER	PARTS NUMBER	DESCRIPTION	Q'TY	SERIAL NUMBER
S14-03 ENGINE-1				
025	668-9891	INTAKE PIPE GASKET	1	
026	668-9966	CARB. INSULATOR SET, SPARE	1	
027	317-7751	MACHINE SCREW (W/WASHERS)	2	
030	668-9839	CARBURETOR GASKET	1	
033	669-5670	O-RING P-15	1	
035	669-0119	CLEANER BODY COMP.	1	
036	669-0804	COLLAR 7.5	2	
037	669-1272	CHOKE VALVE	1	
038	668-4658	WAVE WASHER 8	1	
039	669-0843	BLOW OVER CHECK BOARD	1	
040	668-4662	S.WASHER 5	2	
041	668-4660	SCREW M5X60	2	
043	669-0364	CLEANER SPONGE	1	
044	669-0415	CLEANER COVER ASS'Y	1	
045	668-9737	SPECIAL SCREW	1	
046	669-0487	CARBURETOR SET, WYL120	1	Z333901 -
050,1	669-2417	FUEL PIPE 3X5X130	1	- R107151
050	668-5247	SHIELD TUBE ASS'Y	1	R107152 -
051	668-4619	CLIP, 6.3 DIA.	1	
052,1	669-2281	PUMP FILTER BODY ASS'Y	1	- P048170
052	668-4620	PUMP FILTER BODY COMP.	1	P048171 -
053,1	669-1560	FUEL TANK, VERMILION	1	- R107151
053,1	669-1561	FUEL TANK	1	- T257999
053,2	669-1580	FUEL TANK	1	- Z333900
053	669-1575	TANK OR	1	Z333901 -
055	669-2244	COLLAR 5.8	2	
056	668-4661	WASHER 5	2	- L206278
057	668-4662	S.WASHER 5	2	- L206278
058,1	669-4891	SCREW 5X18	2	- L206278
058	669-5505	HEX. HOLE BOLT 5X18PS	2	L206279 -
063	669-1760	TANK CAP D ASS'Y, ORANGE	1	- T257999
063	669-1768	TANK CAP ASS'Y, BLACK	1	T258000 -
070	668-5139	PRIMING PUMP COMP.	1	
077	669-2347	FUEL PIPE 2.5X4X80	1	Z333901 -
078	669-2346	FUEL PIPE 2.5X4X70	1	Z333901 -
079	668-4627	RETURN GROMMET	1	Z333901 -
080	668-4628	SWIVEL CAP	1	C034601 -
121,1	669-1388	AIR VENT ASS'Y	1	T258000 -
121,1	669-1388	AIR VENT ASS'Y	1	- V123420
121	669-1389	AIR VENT ASS'Y	1	V123421 -
122,1	669-1397	AIR VENT PIPE	1	T258000 -
122,1	669-1397	AIR VENT PIPE	1	- V123420
122	669-1395	AIR VENT PIPE	1	V123421 -
123	669-2171	AIR VENT VALVE ASS'Y	1	T258000 -
124	669-2305	CLIP 5.5	1	T258000 -
124	669-2305	CLIP 5.5	1	- V123420
125	669-1369	AIR VENT RUBBER CAP	1	T258000 -
125	669-1369	AIR VENT RUBBER CAP	1	- V123420

S14-04 ENGINE-2



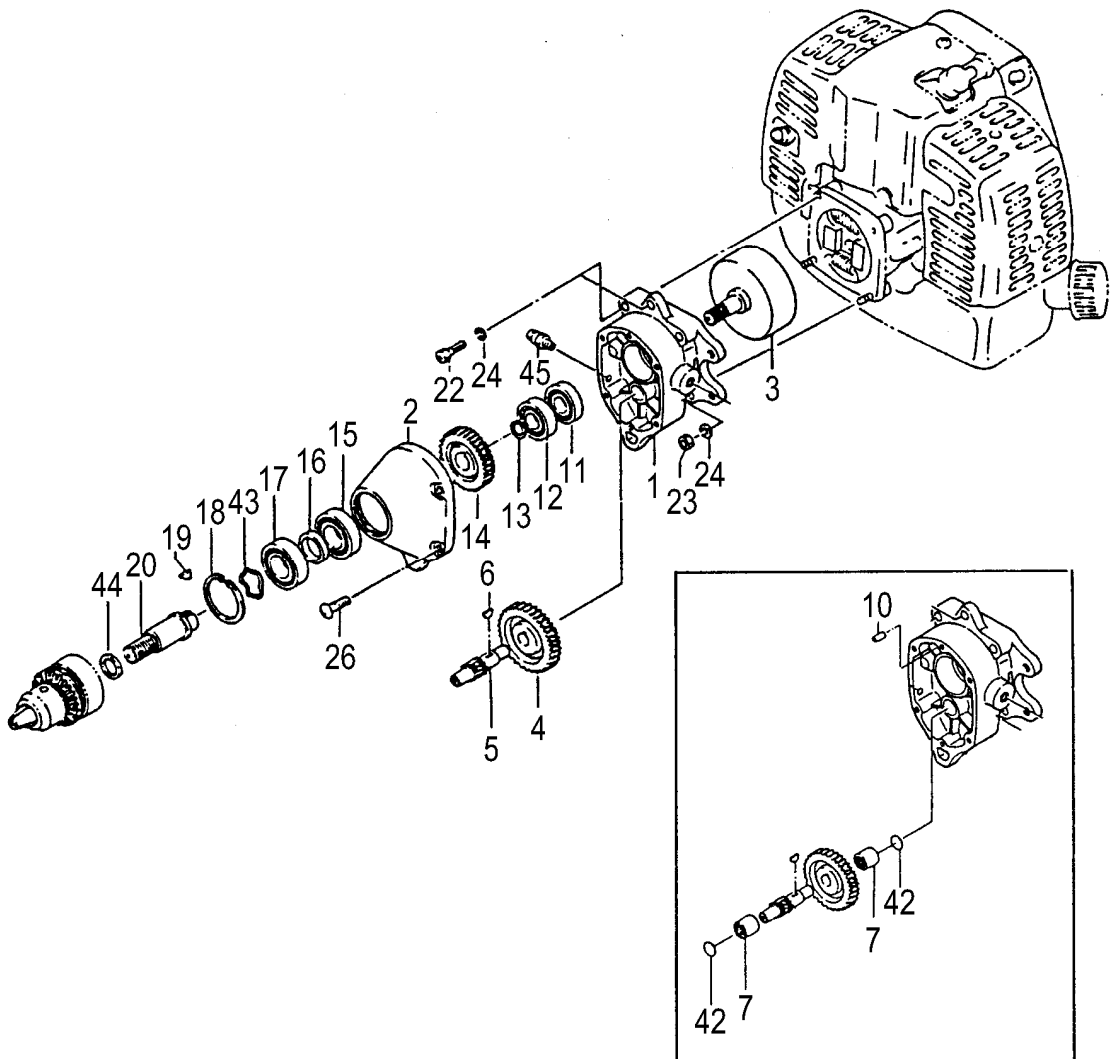
REF. NUMBER	PARTS NUMBER	DESCRIPTION	Q'TY	SERIAL NUMBER
S14-04 ENGINE-2				
003	669-2795	MUFFLER PROTECTOR	1	
004	669-2744	MUFFLER GASKET	1	
005	668-7252	HEAT SHIELD	1	
006	669-2476	MEFFLAR SET	1	
007	668-4661	WASHER 5	2	
008	668-5114	HEX. SOCKET HD. BOLT M5X50	2	
011	668-7012	FANCASE COMP., VERMILION	1	
012	668-4675	RECOIL SPRING	1	
013	669-3066	STARTER ROPE REEL	1	
014	669-3422	ROPE REEL WASHER	1	- Q020413
015	669-3633	SET SCREW	1	
016	669-3405	STARTER PULLEY ASS'Y	1	
017	668-8050	GROMMET	1	
018	669-3168	STARTER ROPE	1	
019	669-3237	STARTER HANDLE	1	
020	669-5374	SCREW 4X16/PS	3	
021	669-2886	MUFFLER SPECIAL GASKET	1	
022	669-2658	TAIL PIPE SET 35	1	
024	668-5109	MACHINE SCREW (W/SP. WASH	2	
047	668-8494	CLUTCH ASS'Y	1	
061	668-4636	TAPPING SCREW D4.5X16	1	
062	669-5441	BOLT 4X12PS	2	
065	668-4684	STARTER PAWL SPRING	1	
066	669-3319	STARTER PAWL	1	

S14-05 CARBURETOR



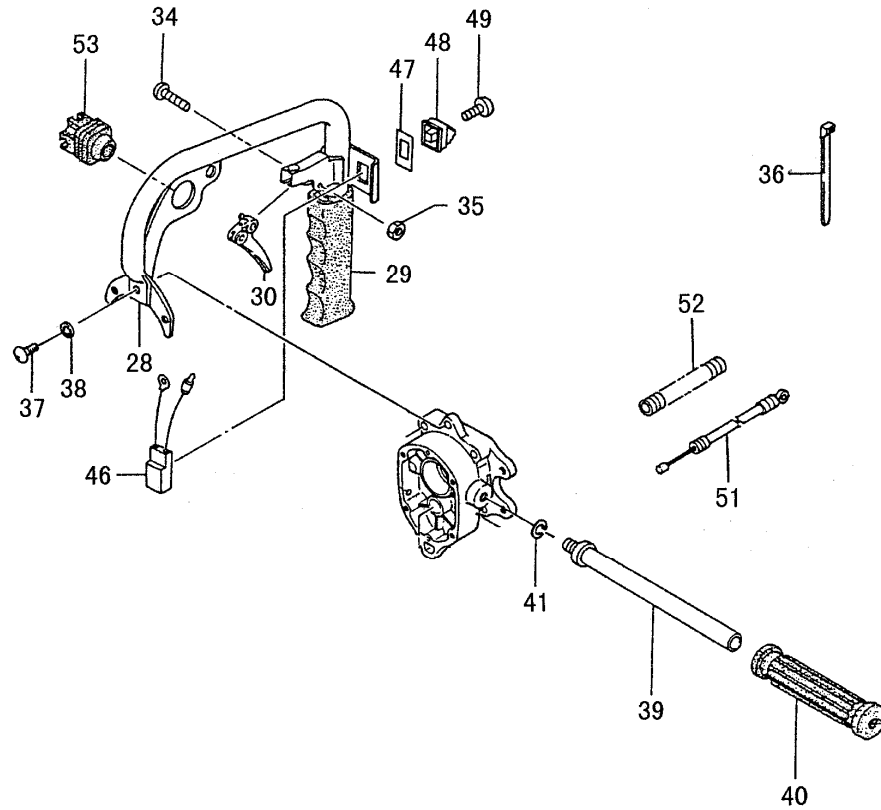
REF. NUMBER	PARTS NUMBER	DESCRIPTION	Q'TY	SERIAL NUMBER
S14-05 CARBURETOR				
000	669-0644	CARBURETOR ASS'Y WYL-52	1	- Z333900
001	668-4698	THROTTLE SET SCREW	2	
005	668-4697	SWIVEL	1	
007	668-4696	STOP RING	1	
008	668-4883	THROTTLE VALVE COMP.	1	- S259000
010	668-4695	O-RING	1	
011	669-1846	MAIN JET #41	1	- S259000
011	668-4854	MAIN JET 35	1	- Z333900
011	669-1888	MAIN JET #34.5	1	Z333901 -
013	669-1457	PUMP GASKET	1	
014	668-4693	PUMP DIAPHRAGM	1	
015	669-1242	PUMP PLATE	1	- S259000
016	669-1234	CIRCUIT PLATE	1	- S259000
017	668-4700	INLET SCREEN	1	
018	669-1429	PUMP BODY COMP.	1	- S259000
018	NLA	No longer Available	1	- Z333900
018	669-1430	PUMP BODY COMP.	1	Z333901 -
019	669-0837	DIAPHRAGM GASKET	1	- Z333900
019	668-5220	DIAPHRAGM PACKING	1	Z333901 -
020	669-0827	METERING DIAPHRAGM COMP.	1	
021	668-5222	DIAPHRAGM COVER	1	
022	669-1312	SET SCREW	4	
	669-2191	CARB. REPAIR KIT, K10-WYL	1	
	669-2200	GASKET/DIA. KIT,D10WYL	1	

S14-06 GEAR CASE



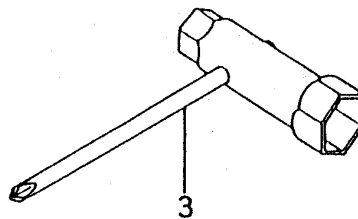
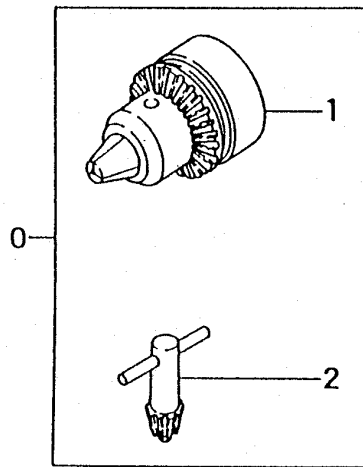
REF. NUMBER	PARTS NUMBER	DESCRIPTION	Q'TY	SERIAL NUMBER
S14-06 GEAR CASE				
001	668-5578	GEAR CASE A COMP.	1	
002	668-5593	GEAR CASE B COMP.	1	
003	668-8197	CLUTCH HOUSING COMP.	1	
004	668-5655	GEAR 2	1	
005	669-5805	GEAR 3	1	- C235700
005	668-5702	GEAR 3	1	C235701 -
006	668-6454	WOOD-RUFF KEY 3X10X3.7	1	
007	669-5591	NEEDLE BRG TLA912 1.5X5.8	2	- P230680
010	669-5520	KNOCK PIN 4X12	2	- P230680
011	669-5532	BALL BEARING #6001Z, 28MM/O	1	
012	669-5535	BALL BEARING 6001 C3	1	
013	668-4664	STOP RING C-12 OUTER	1	
014	668-5784	GEAR 4	1	- C235700
014	668-5785	GEAR 4	1	C235701 -
015	669-5587	BALL BEARING #7202B, 35MM/O	1	
016	668-6065	WASHAER C 5.0	1	
017	669-5559	BALL BEARING #6202Z, 35MM/O	1	
018	669-5296	STOP RING C-35, INNER	1	
019	668-6455	WOOD-RUFF KEY 3X13X5	1	
020	668-5822	DRIVE SHAFT	1	
022	669-5022	PLUS BOLT 6X30	2	
023	668-4792	NUT M6	2	
024	669-5219	S.WASHER 6	4	
026	669-5339	SCREW 5X18/S	4	
042	668-5844	GEAR WASHER	2	- P230680
043	669-5206	WAVE WASHER B.B 35	1	
044	668-8233	GEAR SHAFT COLLAR B	1	
045	668-8643	GREASE NIPPLE COMP.	1	

S14-07 HANDLE



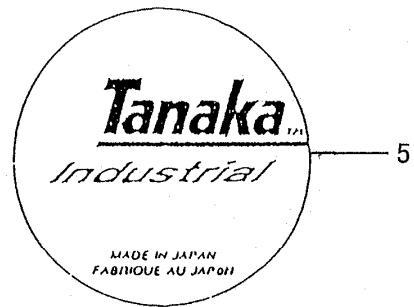
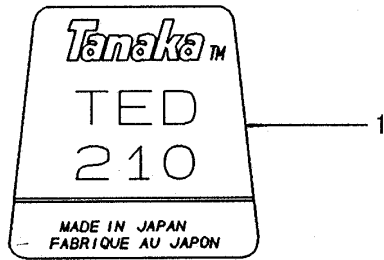
REF. NUMBER	PARTS NUMBER	DESCRIPTION	Q'TY	SERIAL NUMBER
S14-07 HANDLE				
028	668-8369	HANDLE COMP.A	1	
029	668-7624	HANDLE GRIP A	1	
030	668-6799	THROTTLE LEVER	1	
034	669-4896	SCREW 5X25	1	
035	668-4965	NUT M5	2	- L158632
035	668-4965	NUT M5	1	L158633 -
036	668-8015	CORD CLAMP	2	
037	669-5019	PLUS BOLT 6X16	1	
038	669-5219	S.WASHER 6	1	
039	668-8372	HANDLE COMP. B	1	
040	668-6350	HANDLE GRIP	1	
041	669-5225	S.WASHER 10	1	
046	668-7431	STOP SWITCH COMP.	1	
047	669-4589	STOP BUTTON MARK	1	
048	668-8366	BUTTON STOP	1	
049	668-4913	SCREW 3X10	1	
051	669-3908	THROTTLE WIRE COMP.	1	
052	668-7532	CORRUGATED TUBE 7X290L	1	
053	668-7420	CHUCK HANDLE HOLDER	1	

S14-08 CHUCK & TOOLS

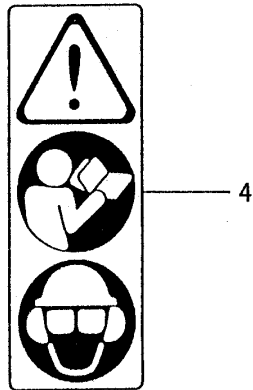


REF. NUMBER	PARTS NUMBER	DESCRIPTION	Q'TY	SERIAL NUMBER
S14-08 CHUCK & TOOLS				
000	668-6372	CHUCK HANDLE SET	1	
001	668-6377	DRILL CHUCK ASS'Y	1	
002	668-6410	CHUCK HANDLE COMP.	1	
003	668-4979	COMBI BOX SPANNER 13X19 PLU	1	

S14-09 LABELS



IMPORTANT!!
 Wash cleaner element in warm soapy water and squeeze, air dry. Then saturate the sponge in 2 cycle oil or the equivalent, squeeze the sponge to distribute the oil completely and to remove excess oil.



WARNING: Manufactured with 1,1,1-trichloroethane, a substance which harms public health and environment by destroying ozone in the upper atmosphere.

REF. NUMBER	PARTS NUMBER	DESCRIPTION	Q'TY	SERIAL NUMBER
S14-09 LABELS				
001	669-4180	NAME PLATE	1	
002	669-4439	CAUTION MARK, ELEMENT	1	N204151 -
003	669-4455	SOUND LABEL	1	
004	669-4564	CAUTION MARK	1	
005	669-4705	SYMBOL MARK	1	- Q259772
006	669-4821	PROFORCE MARK A	1	Q259773 -
010	669-4558	WARNING MARK	1	N204151 -
010	669-4558	WARNING MARK	1	- Q259772