

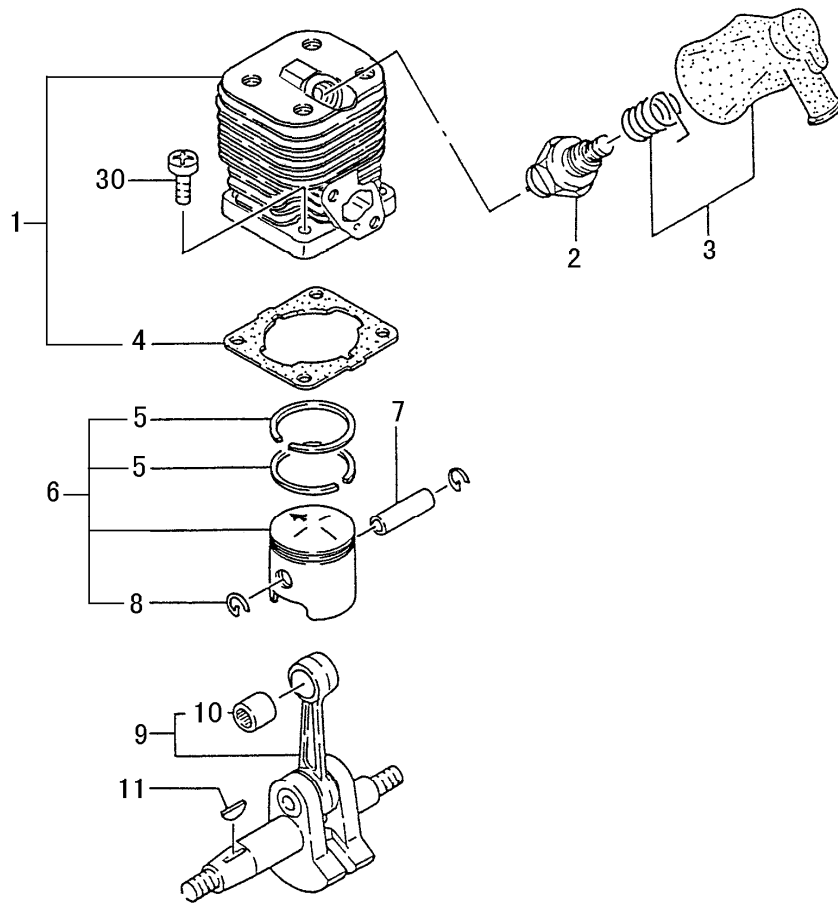
S28

Tanaka

TED-262DH

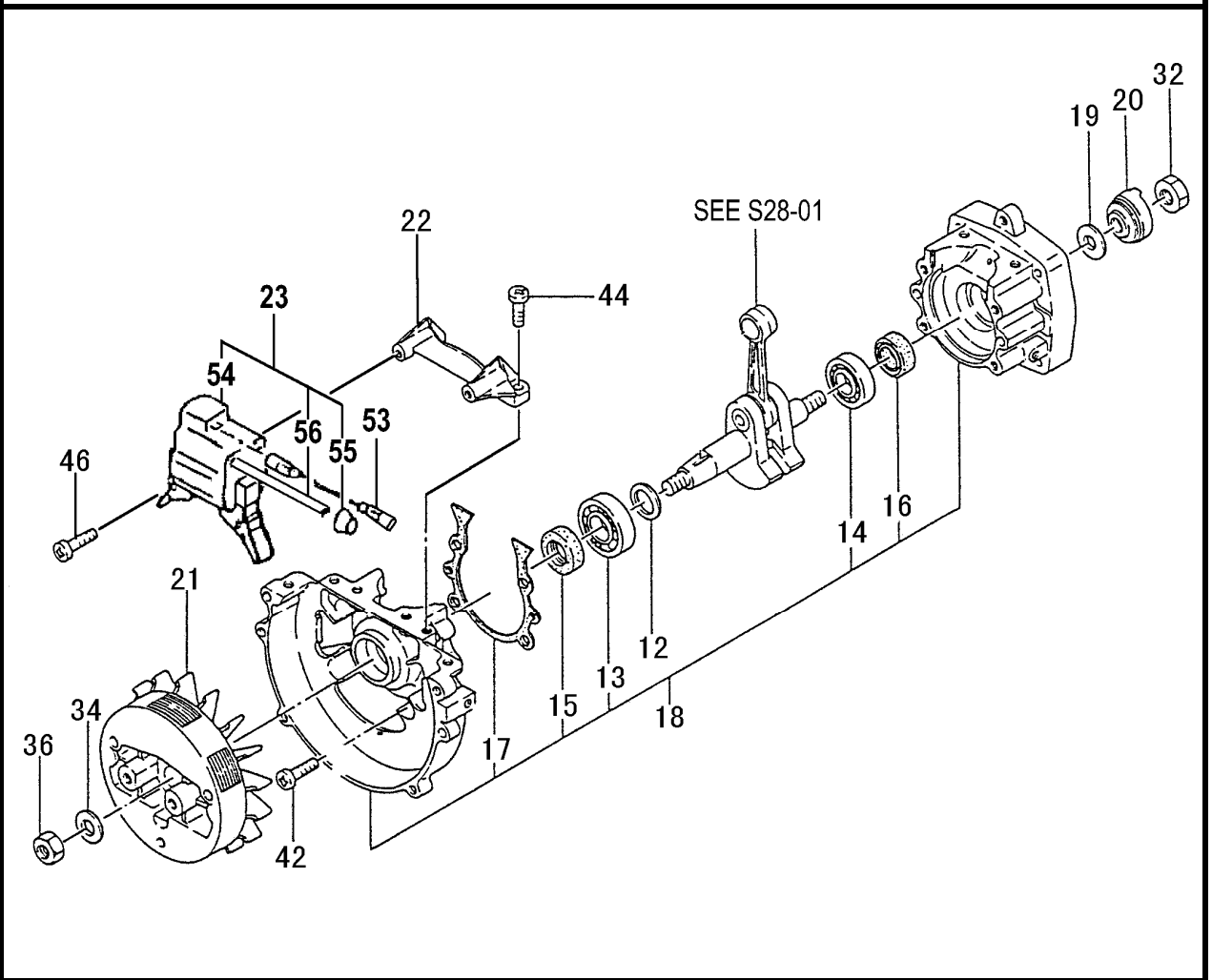
Serial No. - B029200

S28-01 CYLINDER/PISTON/CRANK SHAFT



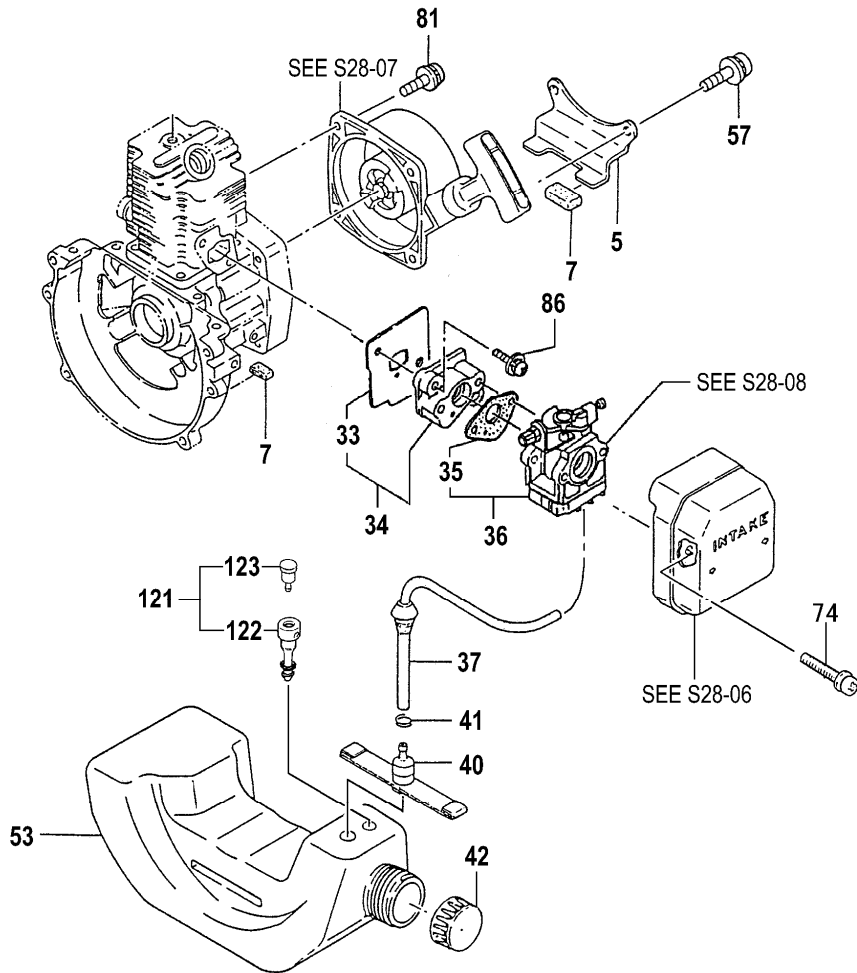
REF. NUMBER	PARTS NUMBER	DESCRIPTION	Q'TY	SERIAL NUMBER
S28-01 CYLINDER/PISTON/CRANK SHAFT				
001	668-5453	CYLINDER SET	1	
002	668-5765	SPARK PLUG BM6A	1	
003	668-7466	SPARK PLUG CAP ASS'Y	1	
004	668-5720	CYLINDER GASKET	1	
005	668-4588	PISTON RING	2	
006	668-5876	PISTON SET	1	
007	668-6011	PISTON PIN	1	
008	668-5078	CIRCLIP	2	
009	668-6165	CRANK SHAFT COMP.	1	
010	669-5595	NEEDLE BEARING KTV91313 2	1	
011	668-4899	WOODRUFF KEY 3X13X4.5	1	
030	668-4903	HEX.HOLE BOLT M5X16/S	4	

S28-02 CRANK CASE



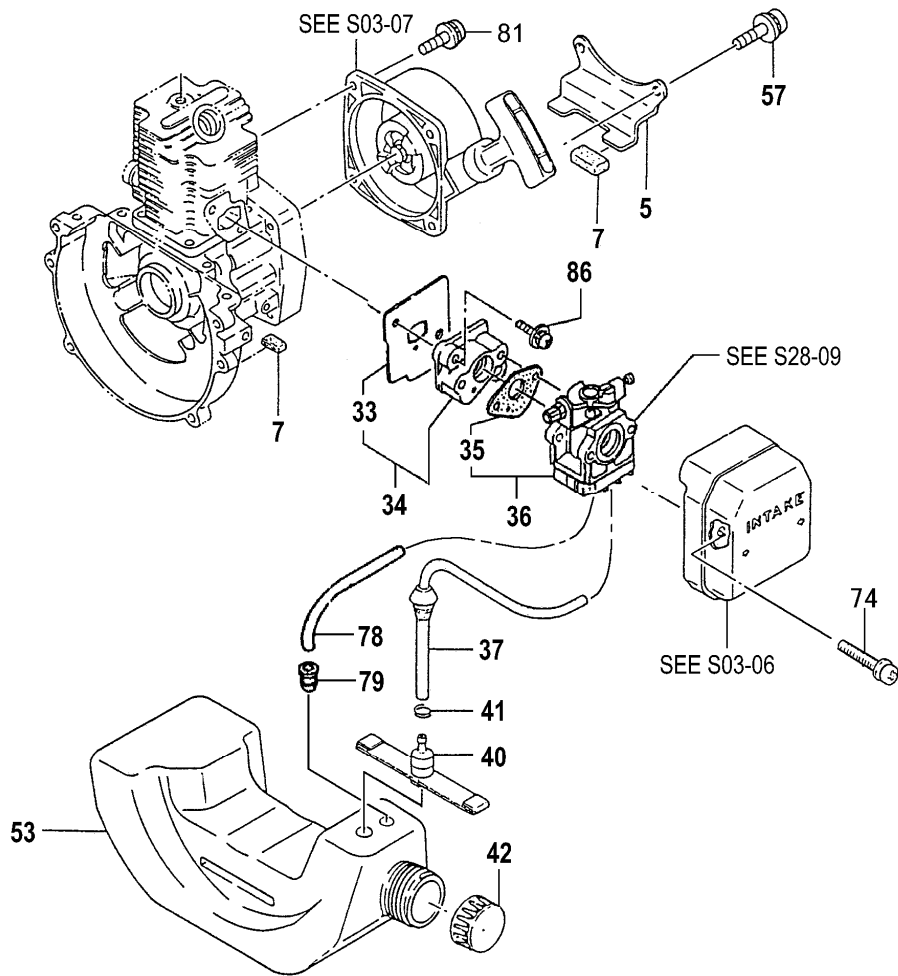
REF. NUMBER	PARTS NUMBER	DESCRIPTION	Q'TY	SERIAL NUMBER
S28-02 CRANK CASE				
012	NLA	No longer Avairable	V	
012	668-6470	CRANK SHAFT SHIM 0.10	V	
012	668-6471	CRANK SHAFT SHIM 0.15	V	
012	668-6472	CRANK SHAFT SHIM 0.20	V	
012	668-6473	CRANK SHAFT SHIM 0.30	V	
013	669-5536	BALL BEARING #6002, 32MM/OD	1	
014	669-5535	BALL BEARING 6001 C3	1	
015	669-5637	OIL SEAL UD15257	1	
016	668-4607	OIL SEAL TB 12227	1	
017	668-6687	CRANK CASE GASKET	1	
018	668-6514	CRANK CASE ASS'Y	1	
019	668-9645	CLUTCH WASHER B	1	
020	669-3393	STARTER PULLEY	1	
021	668-7409	MAGNETO ROTOR COMP.	1	
022	668-7622	IGNITION COIL BRACKET	1	
023	668-7661	IGNITION COIL ASS'Y	1	
032	668-4612	HEX.NUT M8	1	
034	669-5184	SMALL WASHER 8	1	
036	668-4612	HEX.NUT M8	1	
042	668-4786	HEX. SOCKET HD. BOLT M5X30 S	4	
044	669-5337	SCREW 5X16/S	2	
046	669-5407	HIGH TENSION SCREW 4X18WS	2	
053	668-7834	CORD	1	
054	668-7647	IGNITION COIL COMP.	1	
055	668-4602	RUBBER CAP	1	
056	668-7886	HIGHTENSION CORD 120L	1	

S28-03 ENGINE-1(- Z207350)



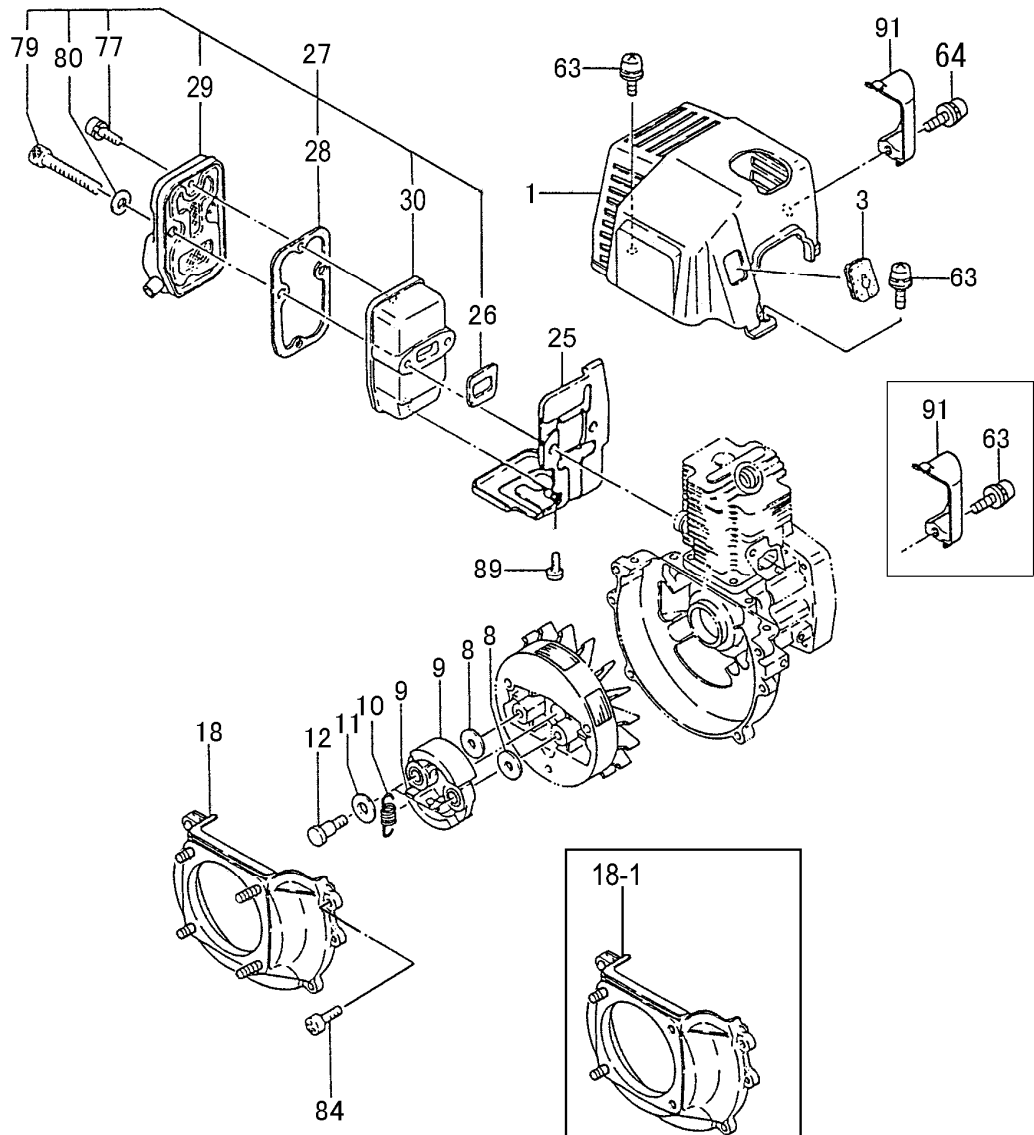
REF. NUMBER	PARTS NUMBER	DESCRIPTION	Q'TY	SERIAL NUMBER
S28-03 ENGINE-1 (- Z207350)				
005	669-2204	TANK BRACKET	1	
007	669-2227	FUEL TANK CUSHION RUBBER	4	
033	668-9866	INLET MANIFOLD GASKET	1	
034	668-9925	INSULATOR SET, SPARE	1	
035	668-4615	CARBURETOR GASKET	1	
036	669-0455	CARBURETOR SET WYJ197	1	
037	668-5247	SHIELD TUBE ASS'Y	1	
040	669-2279	PUMP FILTER BODY ASS'Y	1	
041	668-4619	CLIP, 6.3 DIA.	1	
042	669-1768	TANK CAP ASS'Y, BLACK	1	
053	669-1500	FUEL TANK	1	
057	669-5375	SCREW 4X18/PS	2	
074	669-5431	PLUS SCREW 5X60WS	2	
081	669-5372	SCREW 4X14/PS	2	
086	669-5423	SCREW 5X24WS	2	
121	669-1389	AIR VENT ASS'Y	1	
122	669-1395	AIR VENT PIPE	1	
123	669-2171	AIR VENT VALVE ASS'Y	1	

S28-04 ENGINE-1 (Z207351 -)



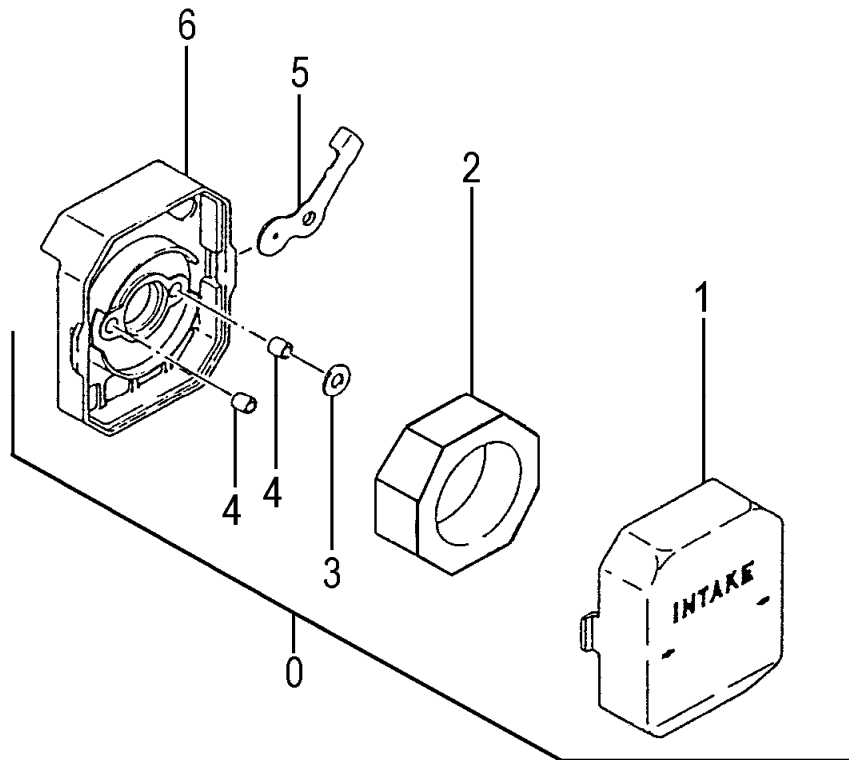
REF. NUMBER	PARTS NUMBER	DESCRIPTION	Q'TY	SERIAL NUMBER
S28-04 ENGINE-1 (Z207351 -)				
005	669-2204	TANK BRACKET	1	
007	669-2227	FUEL TANK CUSHION RUBBER	4	
033	668-9866	INLET MANIFOLD GASKET	1	
034	668-9925	INSULATOR SET, SPARE	1	
035	668-4615	CARBURETOR GASKET	1	
036	669-0457	CARBURETOR SET WYJ357	1	
037	668-5247	SHIELD TUBE ASS'Y	1	
040	669-2279	PUMP FILTER BODY ASS'Y	1	
041	668-4619	CLIP, 6.3 DIA.	1	
042	669-1748	TANK CAP D ASS'Y	1	
053	669-1504	TANK	1	
057	669-5375	SCREW 4X18/PS	2	
074	669-5431	PLUS SCREW 5X60WS	2	
078	669-2357	FUEL PIPE 3X5X70	1	
079	668-4627	RETURN GROMMET	1	
081	669-5372	SCREW 4X14/PS	2	
086	669-5423	SCREW 5X24WS	2	

S28-05 ENGINE-2



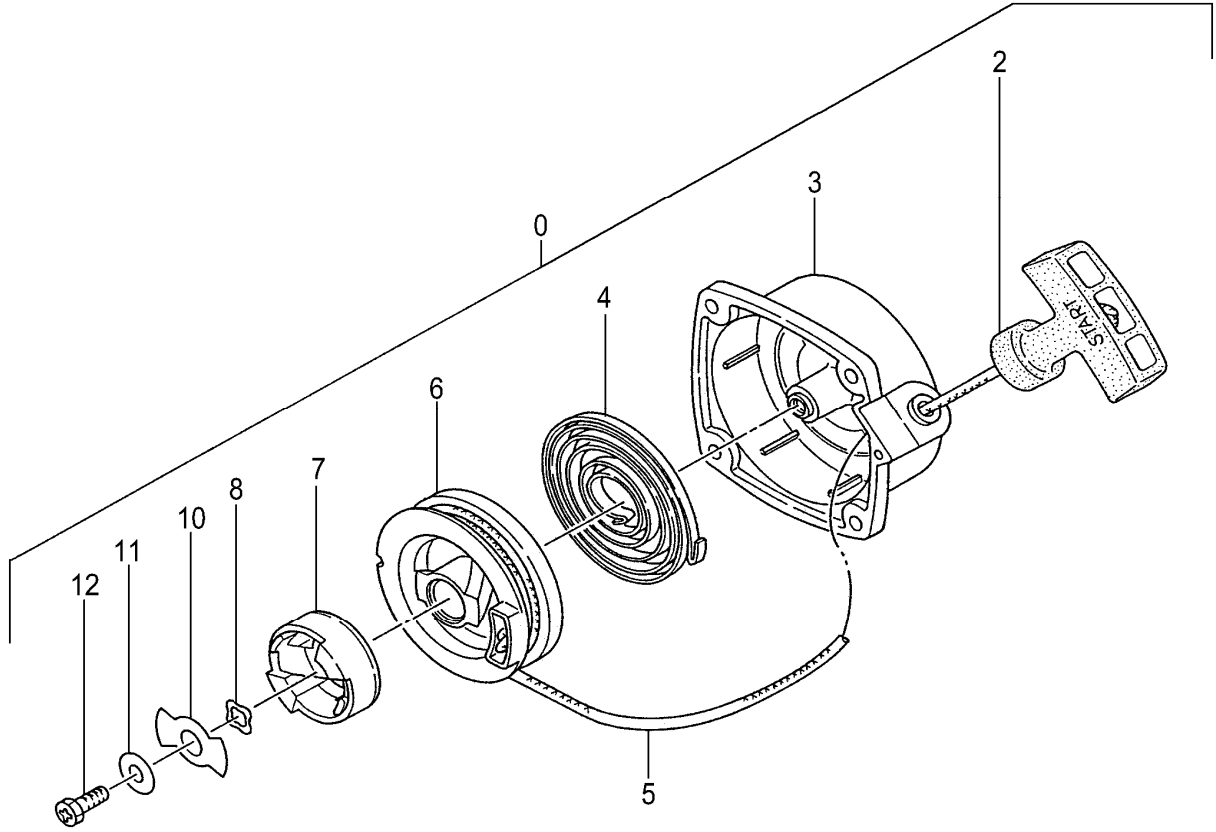
REF. NUMBER	PARTS NUMBER	DESCRIPTION	Q'TY	SERIAL NUMBER
S28-05 ENGINE-2				
001	669-2770	MUFFLER PROTECTOR	1	
003	668-8051	PRIMARY CORD GROMMET	1	
008	668-4642	CLUTCH WASHER B	2	
009	668-4643	CLUTCH SHOE COMP.	2	
010	668-4644	CLUTCH SPRING	1	
011	668-9637	WASHER	2	
012	668-4646	STEP BOLT	2	
018,1	668-6940	FAN CASE COMP.	1	- Z248000
018	668-6941	FAN CASE COMP.	1	Z248001 -
025	668-7234	HEAT SHIELD	1	
026	669-2731	MUFFLER GASKET	1	
027	669-2439	MUFFLER SET	1	
028	669-2832	MUFFLER COUPLING GASKE	1	
029	669-2622	MUFFLER BODY B COMP.	1	
030	669-2605	MUFFLER BODY A	1	
063	669-5415	SCREW 5X12/WS	3	- A185900
063	669-5415	SCREW 5X12/WS	2	A185901 -
064	669-5386	SCREW 5X16/PS	1	A185901 -
077	669-5317	SCREW 4X12/P	2	
079	669-5055	HEX. HOLE BOLT 5X45	2	
080	668-4918	WASHER M5	2	
084	669-5337	SCREW 5X16/S	4	
089	669-5319	SCREW 5X10/P	1	
091	668-7206	DEFLECTOR	1	

S28-06 AIR CLEANER



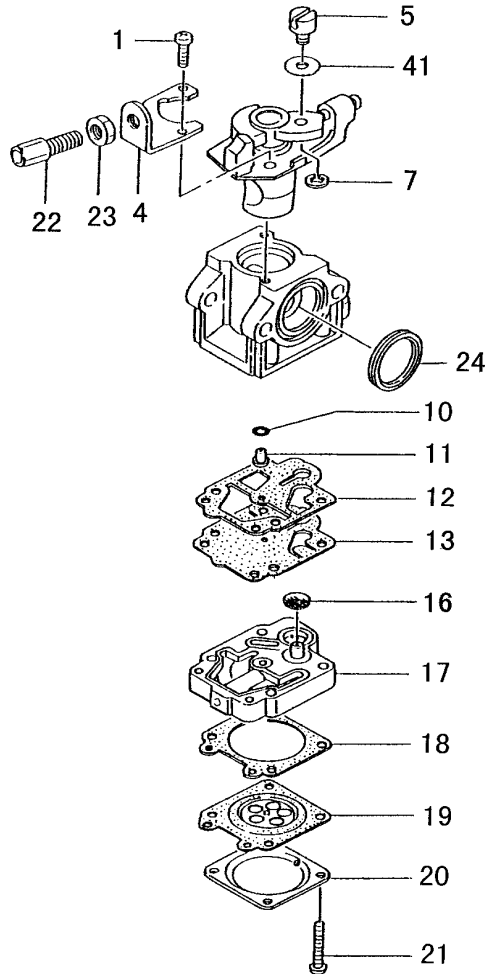
REF. NUMBER	PARTS NUMBER	DESCRIPTION	Q'TY	SERIAL NUMBER
S28-06	AIR CLEANER			
000	669-0026	CLEANER ASSY CAA129	1	
001	669-0142	AIR CLEANER CAP	1	
002	669-0350	CLEANER ELEMENT	1	
003	668-4859	SPACER	1	
004	669-0801	COLLAR	2	
005	669-1270	CHOKE PLATE	1	
006	669-0091	CLEANER BODY COMP.	1	

S28-07 RECOIL STARTER



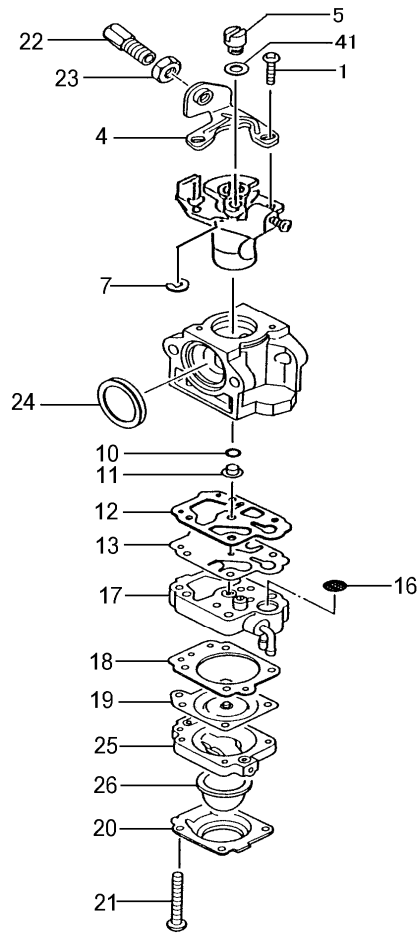
REF. NUMBER	PARTS NUMBER	DESCRIPTION	Q'TY	SERIAL NUMBER
S28-07 RECOIL STARTER				
000	669-2962	RECOIL STARTER BODY ASS	1	
002	669-3224	STARTER HANDLE	1	
003	669-3019	RECOIL STARTER BODY COM	1	
004	669-3129	RECOIL SPRING	1	
005	669-3152	STARTER ROPE	1	
006	669-3058	STARTER PULLEY	1	
007	669-3303	STARTER PAWL	1	
008	669-3420	STARTER REEL WASHER	1	
010	669-3623	FRICTION PLATE	1	
011	669-3564	STARTER PAWL SHIM	1	
012	669-3635	SET BOLT	1	

S28-08 CARBURETOR (- Z207350)



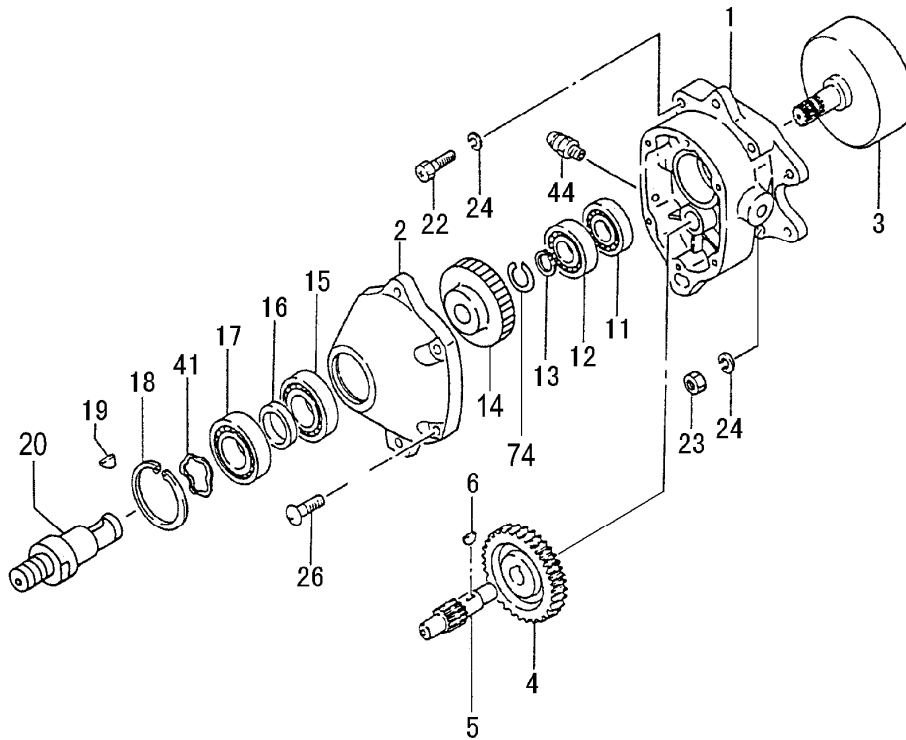
REF. NUMBER	PARTS NUMBER	DESCRIPTION	Q'TY	SERIAL NUMBER
S28-08 CARBURETOR (- Z207350)				
001	668-4870	THROTTLE SET SCREW	2	
004	668-4873	CABLE ADJUSTER STAY	1	
005	668-4697	SWIVEL	1	
007	668-4696	STOP RING	1	
010	668-4695	O-RING	1	
011	669-1882	MAIN JET #37.5	1	
012	669-1457	PUMP GASKET	1	
013	668-4693	PUMP DIAPHRAGM	1	
016	668-4700	INLET SCREEN	1	
017	669-1432	PUMP BODY COMP.	1	
018	669-0837	DIAPHRAGM GASKET	1	
019	669-0827	METERING DIAPHRAGM COM	1	
020	668-5222	DIAPHRAGM COVER	1	
021	669-1312	SET SCREW	4	
022	668-4871	CABLE ADJUSTER	1	
023	669-2005	CABLE ADJUST NUT	1	
024	668-4875	CLEANER PACKING	1	
041	668-4874	THRUST WASHER	1	
	669-2189	CARB. REPAIR KIT, K1-WYJ	1	

S28-09 CARBURETOR (Z207351 -)



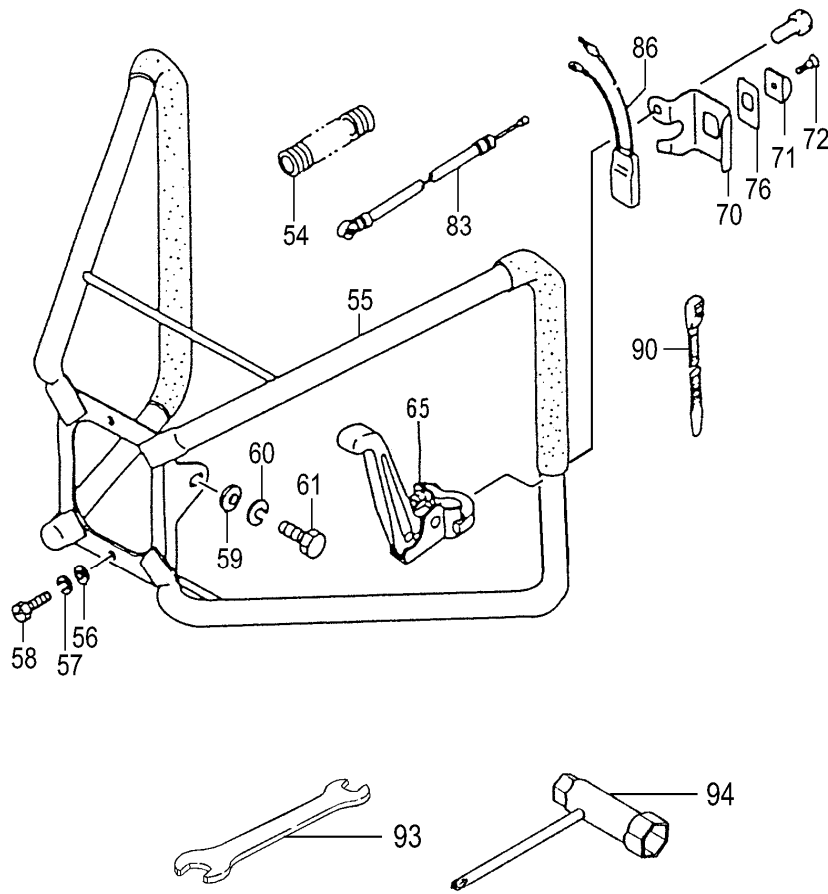
REF. NUMBER	PARTS NUMBER	DESCRIPTION	Q'TY	SERIAL NUMBER
S28-09 CARBURETOR (Z207351-)				
001	668-4870	THROTTLE SET SCREW	2	
004	668-4873	CABLE ADJUSTER STAY	1	
005	668-4697	SWIVEL	1	
007	668-4696	STOP RING	1	
010	668-4695	O-RING	1	
011	668-4877	MAIN JET #37	1	
012	669-1457	PUMP GASKET	1	
013	668-4693	PUMP DIAPHRAGM	1	
016	668-4700	INLET SCREEN	1	
017	668-4879	PUMP BODY COMP.	1	
018	668-4691	DIAPHRAGM GASKET	1	
019	669-0830	METERING DIAPHRAGM CO	1	
020	668-4688	DIAPHRAGM COVER	1	
021	668-4699	SET SCREW	4	
022	668-4871	CABLE ADJUSTER	1	
023	669-2005	CABLE ADJUST NUT	1	
024	668-4875	CLEANER PACKING	1	
025	668-4687	PRIMING PUMP COMP.	1	
026	668-4689	PRIMING BODY	1	
041	668-4874	THRUST WASHER	1	
	669-2189	CARB. REPAIR KIT, K1-WYJ	1	
	669-2199	REPAIR KIT DIAPHRAGM,,D20WY	1	

S28-10 GEAR CASE



REF. NUMBER	PARTS NUMBER	DESCRIPTION	Q'TY	SERIAL NUMBER
S28-10	GEAR CASE			
001	668-5578	GEAR CASE A COMP.	1	
002	668-5593	GEAR CASE B COMP.	1	
003	668-8198	CLUTCH HOUSING COMP.	1	
004	668-5655	GEAR 2	1	
005	669-5805	GEAR 3	1	
006	668-6454	WOOD-RUFF KEY 3X10X3.7	1	
011	669-5532	BALL BEARING #6001Z, 28MM	1	
012	669-5535	BALL BEARING 6001 C3	1	
013	668-4664	STOP RING C-12 OUTER	1	
014	668-5787	GEAR 4	1	
015	669-5587	BALL BEARING #7202B, 35MM	1	
016	668-6065	WASHAER C 5.0	1	
017	669-5559	BALL BEARING #6202Z, 35MM	1	
018	669-5296	STOP RING C-35, INNER	1	
019	668-6455	WOOD-RUFF KEY 3X13X5	1	
020	668-5824	DRIVE SHAFT	1	
022	669-5022	PLUS BOLT 6X30	2	- Z248000
023	668-4792	NUT M6	2	- Z248000
023	668-4792	NUT M6	4	Z248001 -
024	669-5219	S.WASHER 6	4	
026	669-5339	SCREW 5X18/S	4	
041	669-5206	WAVE WASHER B.B 35	1	
044	668-8643	GREASE NIPPLE COMP.	1	
074	669-5283	STOP RING C-13, OUTER	1	

S28-11 HANDLE



REF. NUMBER	PARTS NUMBER	DESCRIPTION	Q'TY	SERIAL NUMBER
S28-11 HANDLE				
054	668-7574	PROTECTION TUBE 10X340L	1	
055	668-6247	HANDLE COMP.	1	
056	668-4639	WASHER 6	2	
057	669-5219	S.WASHER 6	2	
058	669-5015	PLUS BOLT 6X12	2	
059	669-5198	WASHER 10	2	
060	669-5225	S.WASHER 10	2	
061	669-5005	BOLT 10X20	2	
065	668-6800	THROTTLE LEVER ASS'Y	1	
070	669-2138	STOP BUTTON BRACKET	1	
071	668-8366	BUTTON STOP	1	
072	668-4913	SCREW 3X10	1	
076	669-4589	STOP BUTTON MARK	1	
083	669-3868	THROTTLE WIRE COMP.	1	
086	668-7754	STOP BUTTON COMP.	1	- Z248300
086	668-7755	STOP BUTTON COMP.	1	Z248301 -
090	668-8015	CORD CLAMP	1	
093	668-6251	SPANNER 17X19	1	
094	668-4764	BOX WRENCH (HEX. SOCKET	1	

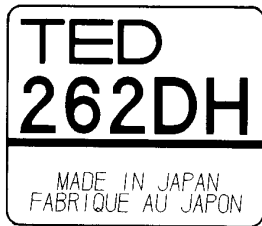
S28-12 LABELS



1



4



2



17

REF. NUMBER	PARTS NUMBER	DESCRIPTION	Q'TY	SERIAL NUMBER
S28-12 LABELS				
001	669-4821	PROFORCE MARK A	1	
002	669-4113	NAME PLATE TED262DH	1	
004	669-4574	CAUTION MARK	1	
017	669-4564	CAUTION MARK	1	