

S05

Tanaka

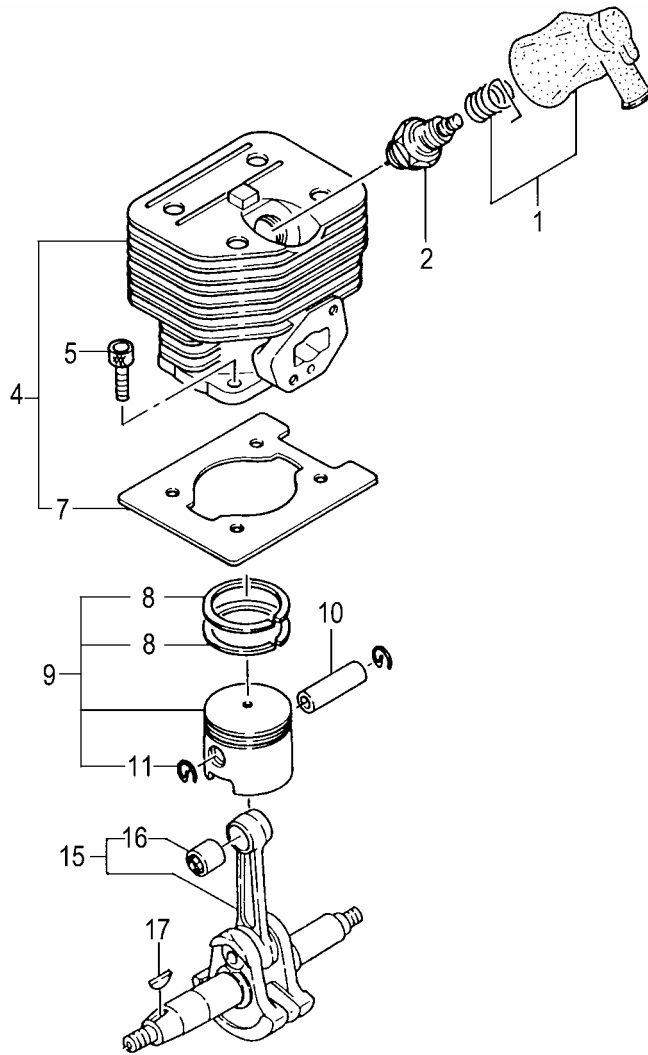
TIA-340

Serial NO . -B170750

April , 19, 2006

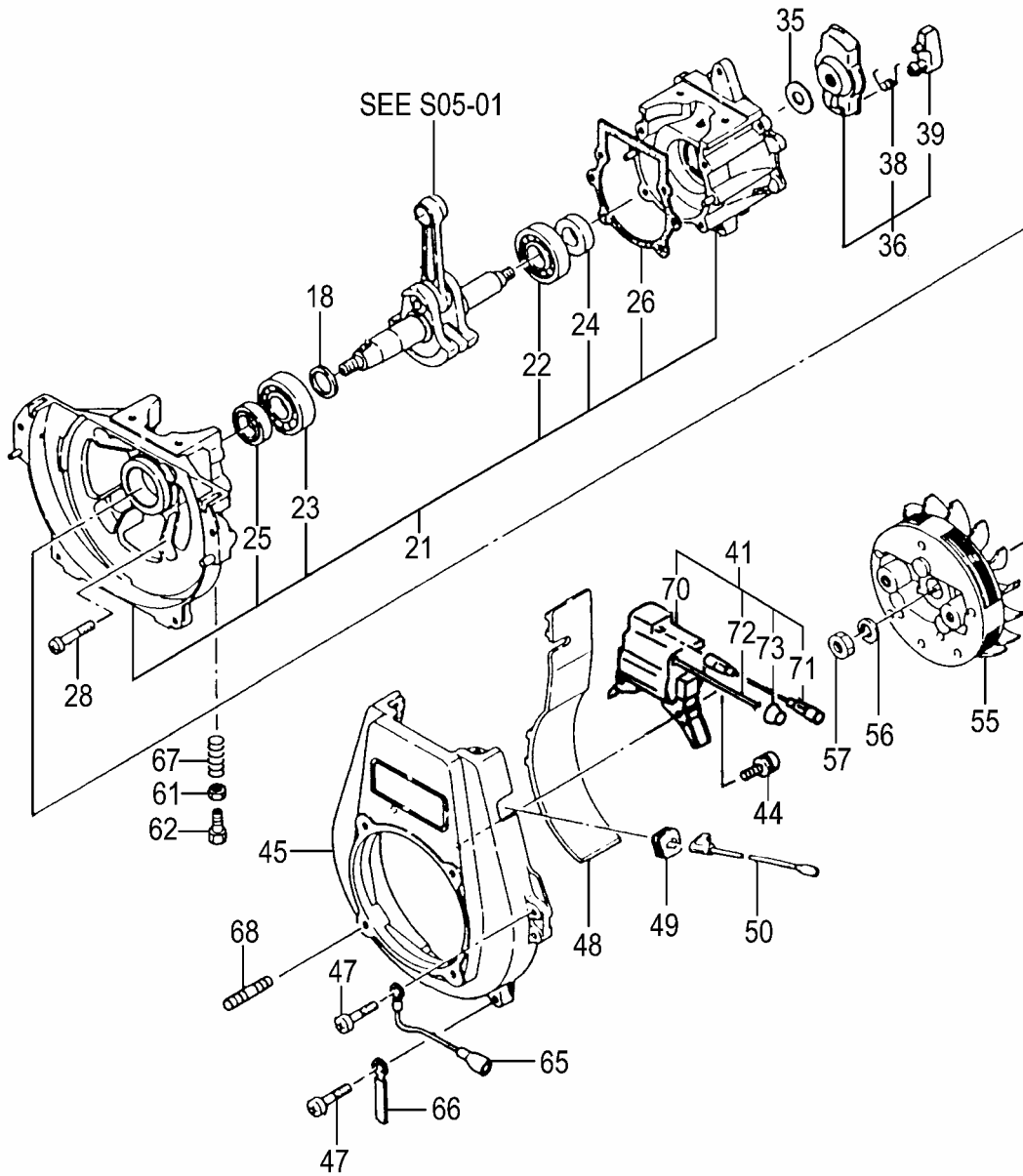
#978-42466-104(* TIA340U)

S05-01 CYLINDER/PISTON/CRANK SHAFT

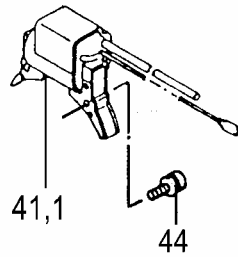


REF. NUMBER	PARTS NUMBER	DESCRIPTION	Q'TY	SERIAL NUMBER
S05-01 CYLINDER/PISTON/CRANK SHAFT				
001	668-7466	SPARK PLUG CAP ASS'Y	1	
002	668-5778	SPARK PLUG BM-7A	1	
004	668-5520	CYLINDER	1	- T046354
004	668-5448	CYLINDER SET, SPARE	1	T046355 -
005	668-4586	HEX.HOLE BOLT M5X18/S	4	
007	668-5715	CYLINDER GASKET	1	
008	668-6119	PISTON RING	2	
009	668-5872	PISTON SET	1	
010	668-6008	PISTON PIN	1	
011	668-5078	CIRCLIP	2	
015	668-6159	CRANK SHAFT COMP.	1	
016	669-5592	NEEDLE BRG F-910 1.4X8.5	1	
017	668-4899	WOODRUFF KEY 3X13X4.5	1	

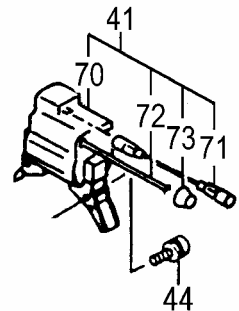
S05-02 CRANK CASE



(Serial NO.-T046354)
(Serial NO.U214097-B170550)

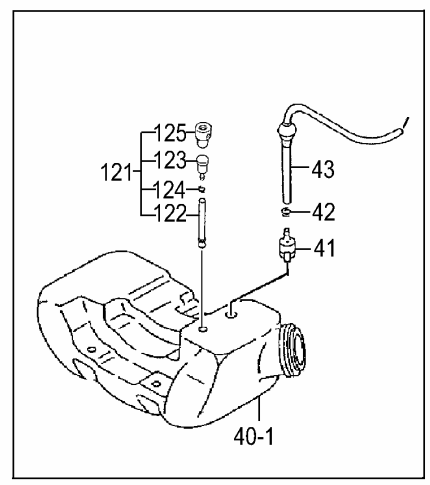
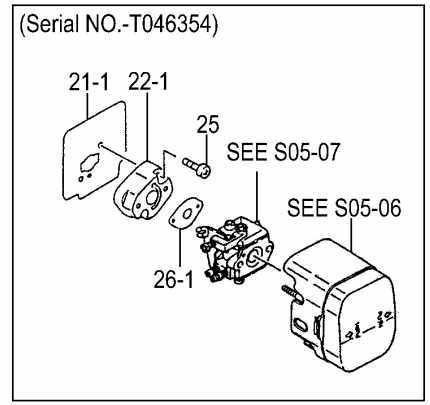
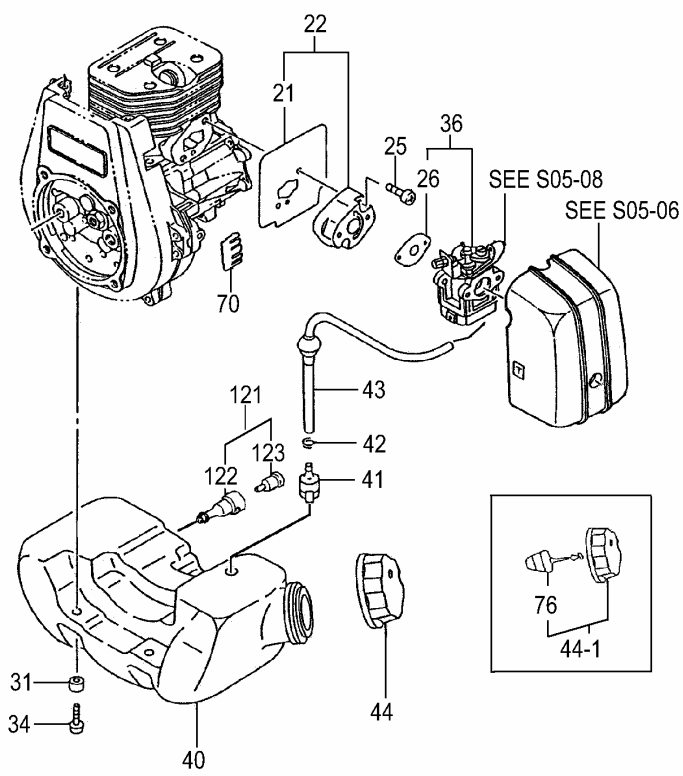


(Serial NO.T046355-U214096)
(Serial NO.B170551-)



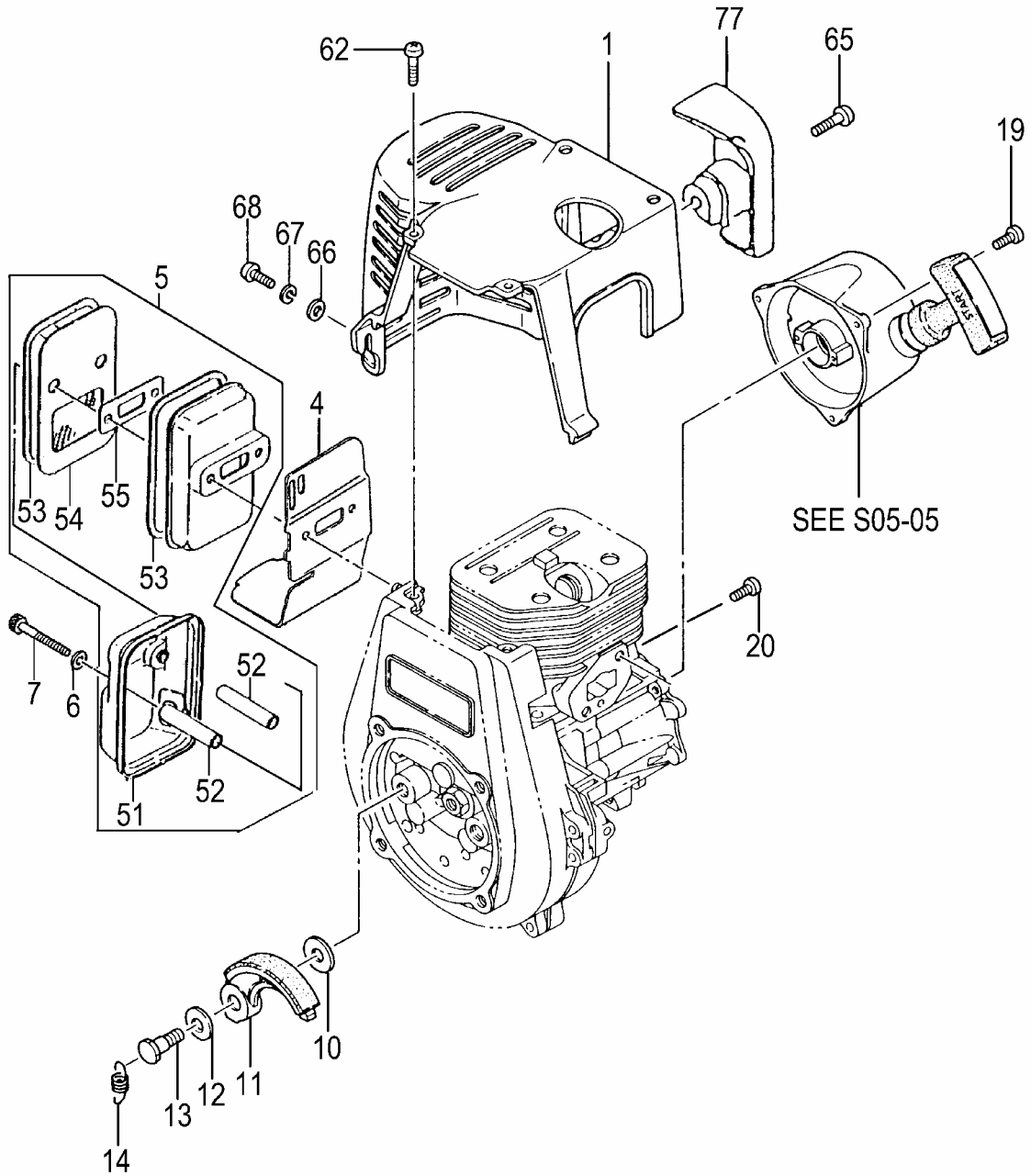
REF. NUMBER	PARTS NUMBER	DESCRIPTION	Q'TY	SERIAL NUMBER
018	669-8030	CRANK SHAFT SHIM 0.05	V	
018	668-6470	CRANK SHAFT SHIM 0.10	V	
018	668-6471	CRANK SHAFT SHIM 0.15	V	
018	668-6472	CRANK SHAFT SHIM 0.20	V	
018	668-6473	CRANK SHAFT SHIM 0.30	V	
021	668-6503	CRANK CASE ASS'Y	1	
022	669-5536	BALL BEARING #6002, 32MM/OD	1	
023	669-5557	BALL BEARING #6202, 35MM/OD	1	
024	668-4607	OIL SEAL TB 12227	1	
025	669-5637	OIL SEAL UD15257	1	
026	668-6691	CRANK CASE GASKET	1	
028	668-4709	HEX.HOLE BOLT M5X25/S	4	
035	668-9645	CLUTCH WASHER B	1	
036	669-3394	STARTER PULLEY ASS'Y	1	
038	669-3345	STARTER PAWL SPRING	1	
039	669-3299	STARTER PAWL	1	
041,1	668-7713	IGNITION COIL COMP.,150	1	- T046354
041	668-7717	IGNITION COIL ASS'Y	1	- U214096
041,1	668-7713	IGNITION COIL COMP.,150	1	- B170550
041	668-7717	IGNITION COIL ASS'Y	1	B170551 -
044	669-5410	SCREW 4X22/WS	2	
045	668-6930	FANCASE	1	
047	669-5339	SCREW 5X18/S	4	
048	668-7203	FLASH PAN	1	
049	668-8050	GROMMET	1	
050	NLA	Not Longer Available	1	N212260 -
050	668-7821	STOP CORD, B220M	1	- P247158
055	668-7412	MAGNETO ROTOR COMP.	1	
056	668-4611	WASHER M8	1	
057	669-4844	NUT 8	1	
061	668-4872	LOCK NUT M6	1	- T046354
062	669-4043	OUTER RECEIVER	1	- T046354
065	668-7927	STOP CORD COMP. B , 79L	1	N212261 -
066	668-8008	CORD CLAMP COMP.	1	
067	669-2332	RETURN SPRING	1	- T046354
068	668-6772	STUD BOLT 6X36	4	
070	668-7647	IGNITION COIL COMP.	1	T046355 -
070	668-7647	IGNITION COIL COMP.	1	- U214096
070	668-7647	IGNITION COIL COMP.	1	B170551 -
071	668-7820	STOP CORD, B220M	1	T046355 -
071	668-7820	STOP CORD, B220M	1	- U214096
071	668-7820	STOP CORD, B220M	1	B170551 -
072	668-8399	HIGH TENSION CORD, 155L	1	T046355 -
072	668-8399	HIGH TENSION CORD, 155L	1	- U214096
072	668-8399	HIGH TENSION CORD, 155L	1	B170551 -
073	668-4602	RUBBER CAP	1	T046355 -
073	668-4602	RUBBER CAP	1	- U214096
073	668-4602	RUBBER CAP	1	B170551 -

S05-03 ENGINE-1



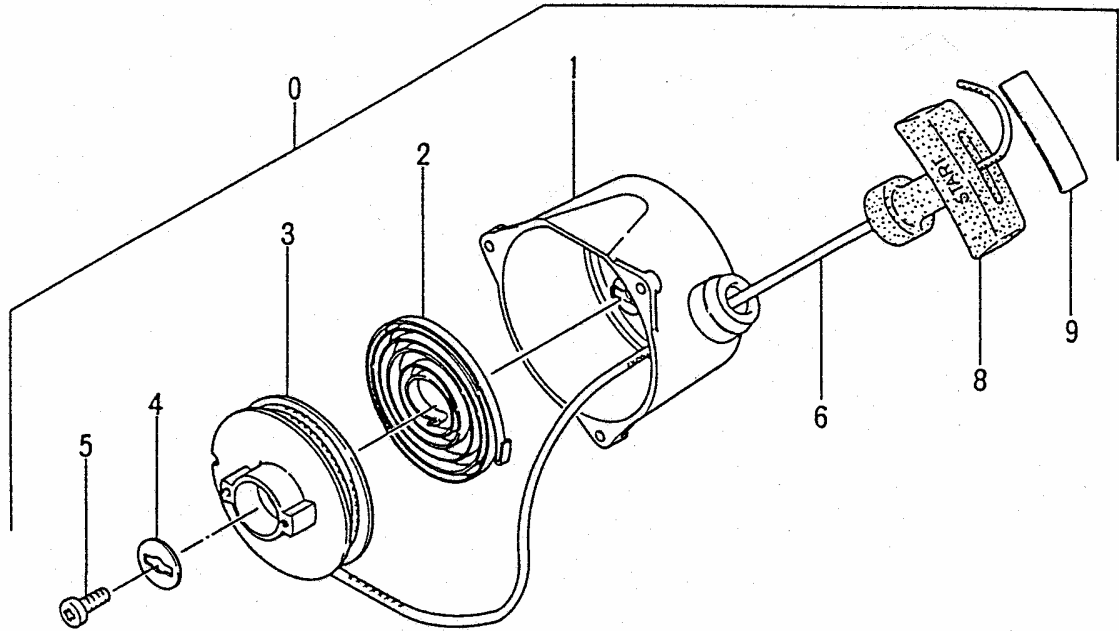
REF. NUMBER	PARTS NUMBER	DESCRIPTION	Q'TY	SERIAL NUMBER
S05-03 ENGINE-1				
021,1	668-9860	INLET MANIFOLD GASKET	1	- T046354
021	668-9864	INLET MANIFOLD GASKET	1	T046355 -
022,1	668-9919	CARBURETOR INSULATOR	1	- T046354
022	668-9924	CARBURETOR INSULATOR SET,S	1	T046355 -
025	669-5422	SCREW 5X22/WS	2	
026,1	668-9824	CARBURETOR GASKET	1	- T046354
026	668-4615	CARBURETOR GASKET	1	T046355 -
031	669-2244	COLLAR 5.8	3	
034	669-5388	SCREW 5X18/PS	3	
036	669-0451	CARBURETOR SET PN	1	T046355 -
040,1	669-1497	FUEL TANK, VERMILION	1	- T236910
040	669-1490	FUEL TANK, VERMILION	1	T236911 -
041	669-2273	PUMP FILTER BODY ASS'Y	1	
042	668-4619	CLIP,6.3 DIA.	1	
043	668-8166	FUEL PIPE ASS'Y 3X5X180	1	
044,1	669-1737	TANK CAP D ASS'Y,ORANGE	1	- T236910
044	669-1724	TANKA CAP ASS'Y,BLACK	1	T126911 -
070	668-6737	PARTITION	1	
076	668-4625	TANK CAP CHAIN	1	- T236910
121	669-1389	AIR VENT	1	T263911 -
122	669-1395	AIR VENT PIPE	1	T236911 -
123	669-2171	AIR VENT VALVE ASS'Y	1	T263911 -
124	669-2305	CLIP 5.5	1	T236911 -
124	669-2305	CLIP 5.5	1	- V214490
125	669-1369	AIR VENT RUBBER CAP	1	T236911 -
125	669-1369	AIR VENT RUBBER CAP	1	- V214490

S05-04 ENGINE-2



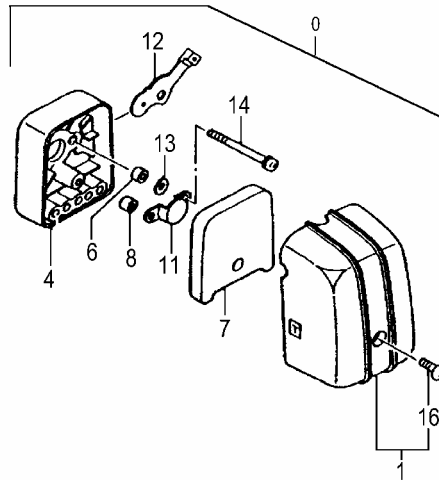
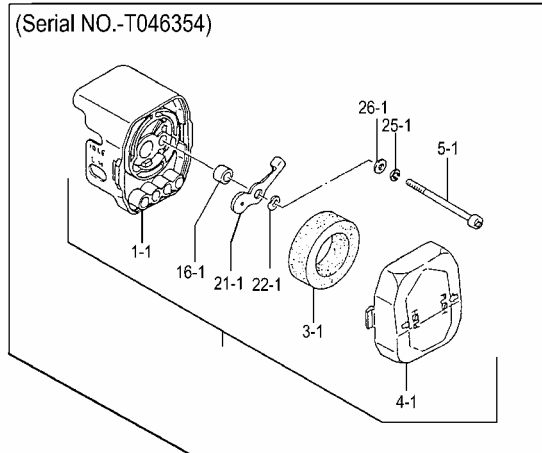
REF. NUMBER	PARTS NUMBER	DESCRIPTION	Q'TY	SERIAL NUMBER
S05-04 ENGINE-2				
001	669-2762	MUFFLER PROTECTOR, BLACK	1	
004	668-7229	HEAT SHIELD	1	
005	669-2517	MUFFLER ASSY, W/SPK.ARREST	1	
006	668-4639	WASHER 6	2	
007	669-5088	HEX. HOLE BUTTON SCREW 6X6	2	
010	668-9645	CLUTCH WASHER B	2	
011	668-8609	CLUTCH SHOE COMP.	2	- P042250
011	668-8610	CLUTCH ARM COMP.	2	P042251 -
012	668-9638	CLUTCH WASHER A	2	- P042250
012	669-5203	WAVE WASHER 10	4	P042251 -
013	668-9628	CLUTCH STEP BOLT	2	
014	668-9419	CLUTCH SPRING	1	- P042250
014	668-9420	CLUTCH SPRING	1	P042251 -
019	669-5404	SCREW 4X16WS	2	
020	669-5404	SCREW 4X16WS	1	
051	669-2618	MUFFLER BODY B COMP.	1	
052	669-2838	MUFFLER COLLAR	2	
053	669-2830	MUFFLER GASKET	2	
054	669-2671	MUFFLER PARTITION COMP.	1	
055	669-2640	MUFFLER FLANGE	1	
062	669-5370	SCREW 4X12/PS	2	
065	669-5394	SCREW 5X25 PS	1	
066	668-5070	BOLT WASHER M4	1	- P042250
067	669-5211	S.WASHER 4	1	- P042250
068	669-4865	SCREW 4X12	1	- P042250
077	668-7204	FLASH PAN	1	

S05-05 RECOIL STARTER



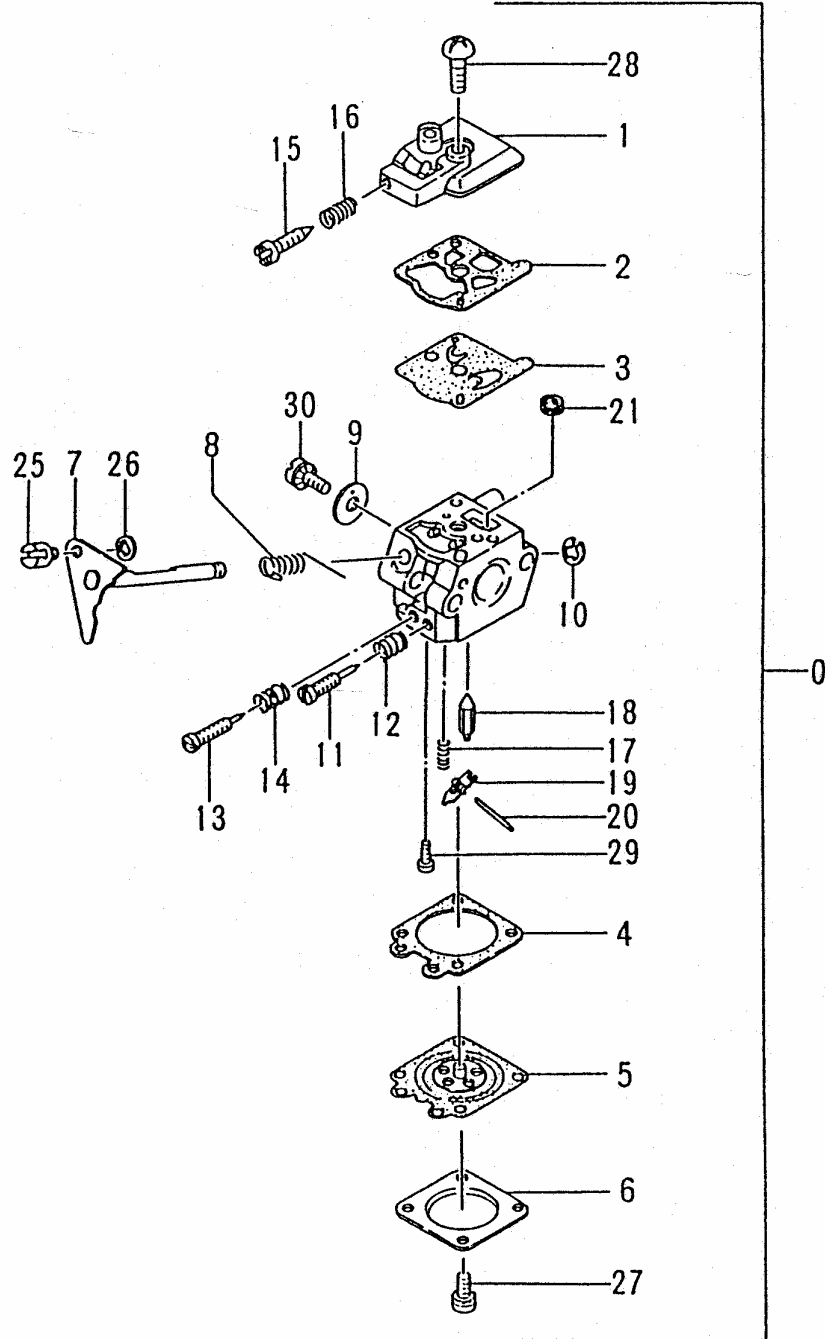
REF. NUMBER	PARTS NUMBER	DESCRIPTION	Q'TY	SERIAL NUMBER
S05-05 RECOIL STARTER				
000	669-2963	RECOIL STARTER BODY ASS'Y	1	- Q085400
001	669-3022	RECOIL STARTER BODY COMP.	1	
002	669-3111	RECOIL SPRING	1	
003	669-3057	STARTER ROPE REEL	1	
004	669-3419	ROPE REEL WASHER	1	
005	669-3633	SET SCREW	1	
006	669-3155	ROPE	1	
008	669-3227	STARTER HANDLE	1	
009	NLA	Not Longer Available	1	

S05-06 AIR CLEANER



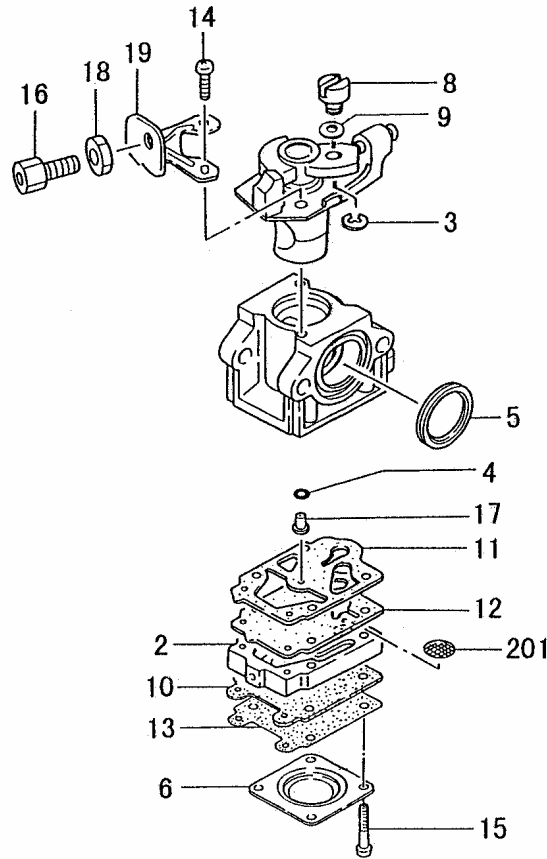
REF. NUMBER	PARTS NUMBER	DESCRIPTION	Q'TY	SERIAL NUMBER
S05-06 AIR CLEANER				
000,1	669-0018	CLEANER ASS'Y	1	- T046354
000	669-0033	CLEANER ASS'Y	1	T046355 -
001,1	669-0096	CLEANER BODY	1	
003,1	669-0359	CLEANER ELEMENT	1	
004,1	669-0145	CLEANER CAP	1	
005,1	669-4913	SCREW 5X55	2	
006,1	668-4661	WASHER 5	2	
016,1	669-0803	CLEANER COLLAR	2	
021,1	669-1268	CHOKE VALVE	1	
022,1	668-4658	WAVE WASHER 8	1	
025,1	668-4662	S.WASHER 5	2	
001	669-0396	CLEANER COVER ASS'Y	1	
004	669-0099	CLEANER BODY COMP.	1	
006	669-0802	COLLAR	1	
007	669-0351	CLEANER SPONGE	1	- Z344400
007	669-0352	CLEANER ELEMENT 6T	2	Z344401 -
008	669-0430	COLLAR	1	
011	669-0843	BLOW OVER CHECK BOARD	1	
012	669-1269	CHOKE PLATE	1	
013	668-4658	WAVE WASHER 8	1	
014	669-5353	SCREW 5X57/S	2	
016	668-9737	SPECIAL SCREW	1	

S05-07 CARBURETOR(SERIAL # -T046354)



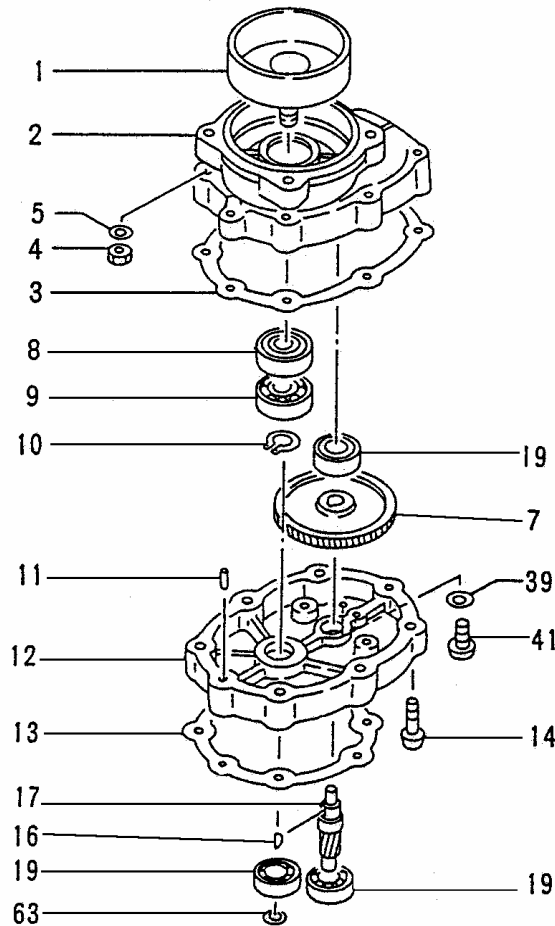
REF. NUMBER	PARTS NUMBER	DESCRIPTION	Q'TY	SERIAL NUMBER
S05-07 CARBURETOR(SERIAL # -T046354)				
000	669-0601	CARBURETOR ASS'Y WT-217	1	- T046354
001	669-1416	PUMP BODY	1	
002	669-1454	PUMP GASKET	1	
003	668-5213	PUMP DIAPHRAGM	1	
004	669-0837	DIAPHRAGM GASKET	1	
005	669-0827	METERING DIAPHRAGM COMP.	1	
006	668-5222	DIAPHRAGM COVER	1	
007	669-0775	THROTTLE SHAFT COMP.	1	
008	669-0907	THROTTLE SPRING	1	
009	669-0926	THROTTLE VALVE	1	
010	669-0960	STOP RING	1	
011	669-0695	HIGH ADJUST SCREW	1	
012	669-0897	HIGH ADJUSTMENT SPRING	1	
013	669-0713	LOW ADJUST SCREW	1	
014	669-2048	HIGH/LOW ADJUST SPRING	1	
015	669-0736	IDLE ADJUST SCREW	1	
016	669-0766	IDLE ADJUST SPRING	1	
017	669-0868	VALVE SPRING	1	
018	669-1943	NEEDLE VALVE	1	
019	668-5217	CONTROL LEVER	1	
020	668-5219	HINGE PIN	1	
021	668-4700	INLET SCREEN	1	
025	669-1293	SWIVEL	1	
026	669-0961	STOP RING	1	
027	668-5223	SET SCREW	4	
028	668-5210	SCREW	1	
029	668-5218	HINGE PIN SET SCREW	1	
030	669-0793	SHUTTER SCREW	1	
	669-2184	CARB. REPAIR KIT, K10-WAT	1	
	669-2194	GASKET/DIA. KIT, D10WAT	1	

S05-08 CARBURETOR(SERIAL #T046355-)



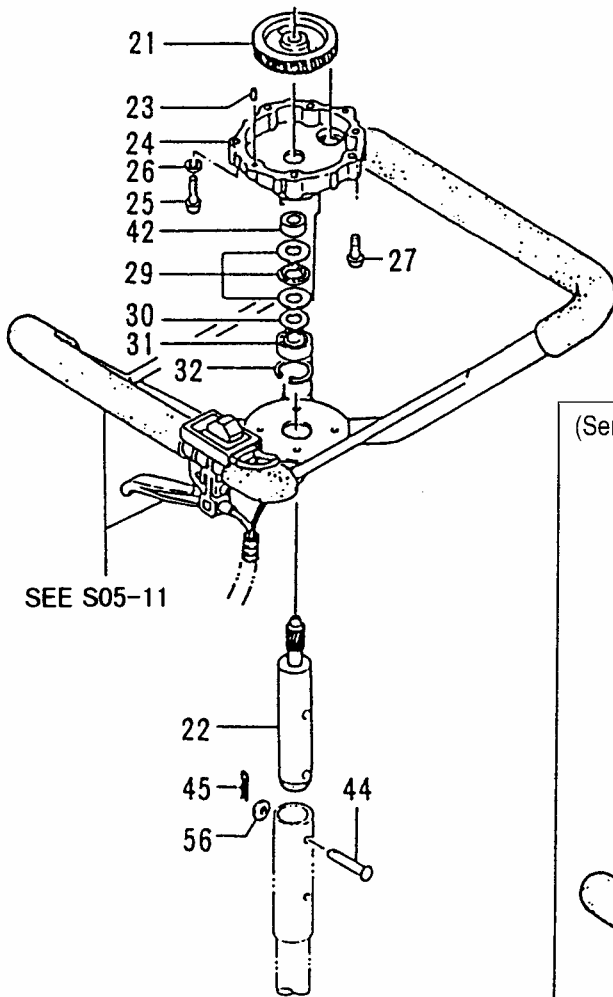
REF. NUMBER	PARTS NUMBER	DESCRIPTION	Q'TY	SERIAL NUMBER
S05-08 CARBURETOR(SERIAL #T046355-)				
002	669-1432	PUMP BODY COMP.	1	
003	668-4696	STOP RING	1	
004	668-4695	O-RING	1	
005	668-4875	CLEANER PACKING	1	
006	668-5222	DIAPHRAGM COVER	1	
008	668-4697	SWIVEL	1	
009	668-4874	THRUST WASHER	1	
010	668-5220	DIAPHRAGM PACKING	1	
011	669-1457	PUMP GASKET	1	
012	668-4693	PUMP DIAPHRAGM	1	
013	669-0827	METERING DIAPHRAGM COMP.	1	
014	668-4870	THROTTLE SET SCREW	2	
015	669-1312	SET SCREW	4	
016	668-4871	CABLE ADJUSTER	1	
017	669-1848	MAIN JET #43	1	
018	669-2005	CABLE ADJUST NUT	1	
019	668-4873	CABLE ADJUSTER STAY	1	
201	668-4700	INLET SCREEN	1	
	669-2190	CARB.REPAIR KIT,K20WYJ	1	
	669-2199	REPAIR KIT DIAPHRAGM,,D20WY	1	

S05-09 GEAR CASE-1

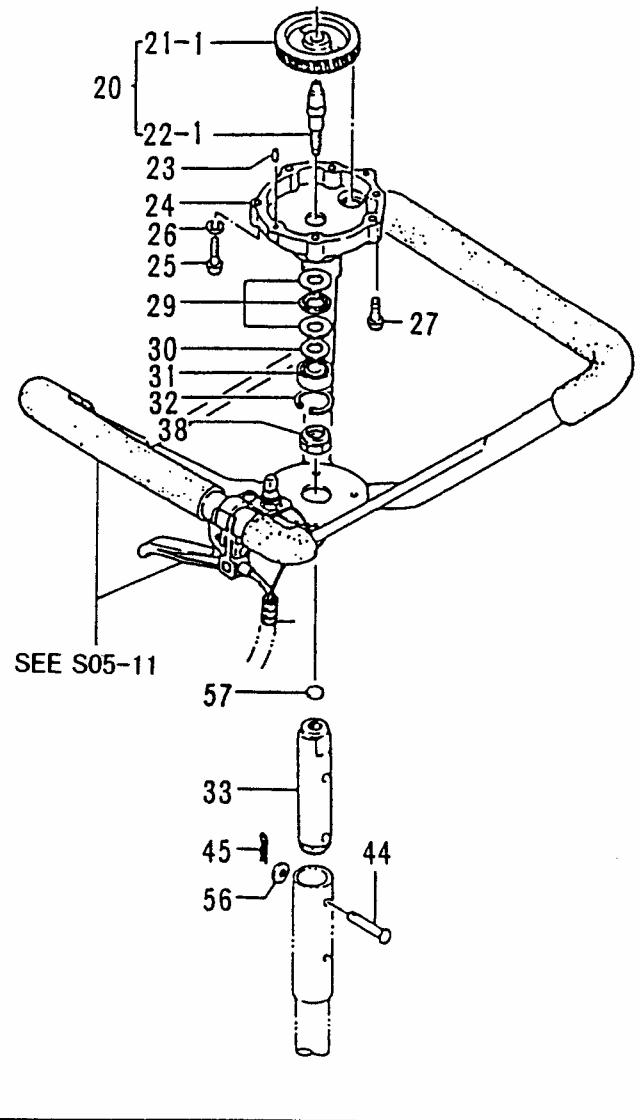


REF. NUMBER	PARTS NUMBER	DESCRIPTION	Q'TY	SERIAL NUMBER
S05-09 GEAR CASE-1				
001	668-8202	CLUTCH HOUSING COMP.	1	- P104240
001	668-8203	CLUTCH HOUSING COMP.	1	P104241 -
002	668-8029	GEAR CASE A	1	
003	668-8059	GEAR CASE GASKET B	1	
004	668-4792	NUT M6	4	
005	669-5219	S.WASHER 6	4	
007	NLA	Not Longer Available	1	- P104240
007	668-8136	GEAR 2	1	P104241 -
008	669-5559	BALL BEARING #6202Z, 35MM/OD	1	
009	669-5557	BALL BEARING #6202, 35MM/OD	1	
010	669-5285	STOP RING C-15, OUTER	1	
011	669-5520	KNOCK PIN 4X12	2	
012	668-8035	GEAR CASE B	1	
013	668-8063	GEAR CASE GASKET C	1	
014	669-5345	SCREW 5X30/S	2	
016	668-6459	WOOD-RUFF KEY 3X13X5.0	1	
017	668-8161	GEAR 3	1	- P104240
017	668-8162	GEAR 3	1	P104241 -
019	669-5524	BALL BEARING #6000, 26MM/OD	3	
039	668-4639	WASHER 6	1	N212261 -
041	669-4923	SCREW 6X8	1	
063	668-9638	CLUTCH WASHER A	1	- P104240
063	669-5286	STOP RING C-17, OUTER	1	P104241 -

S05-10 GEAR CASE-2

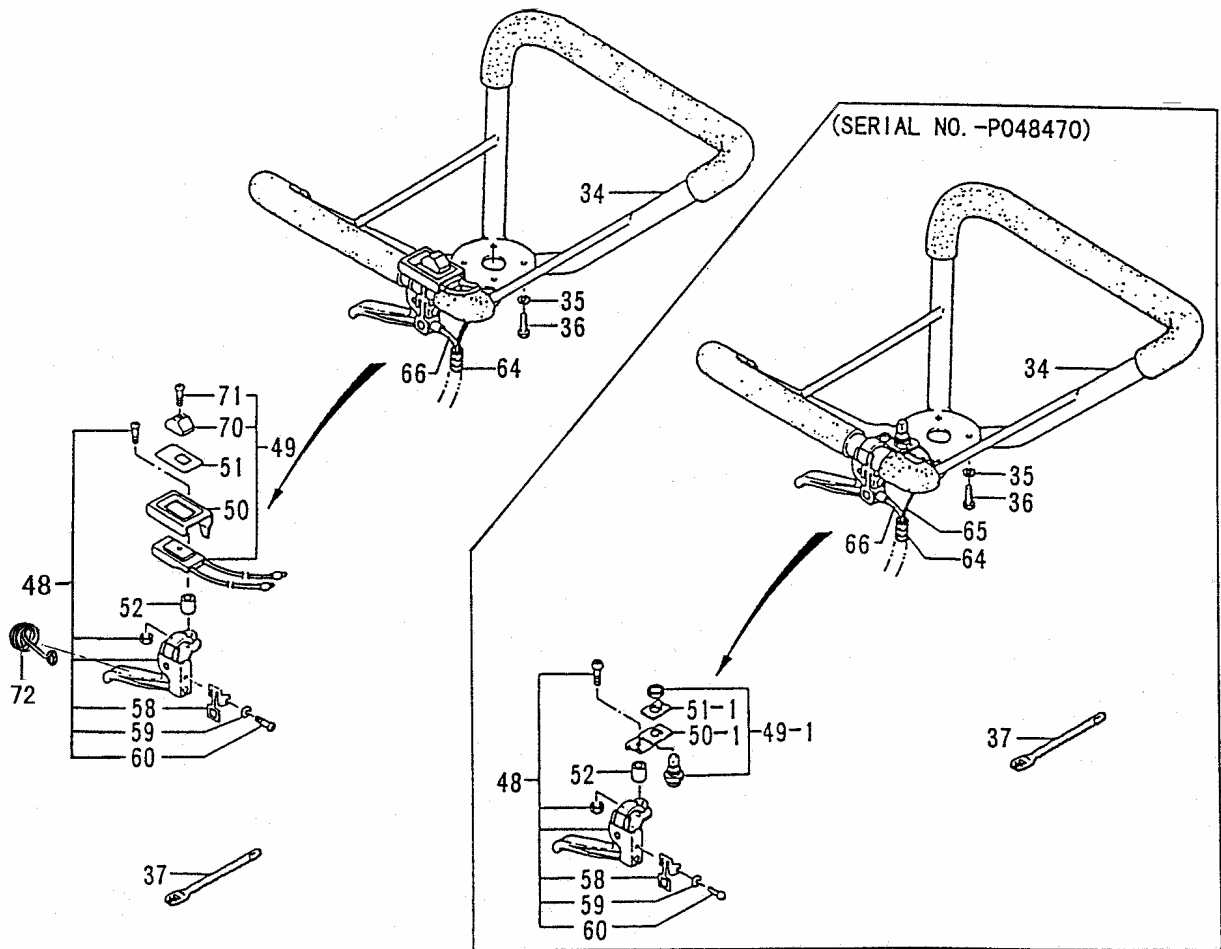


(Serial NO.-P104240)



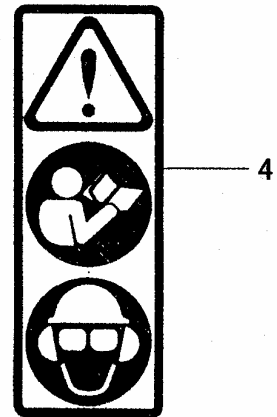
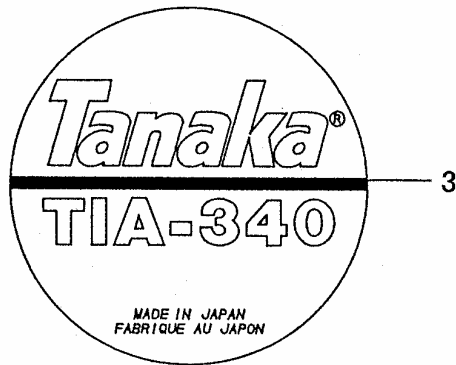
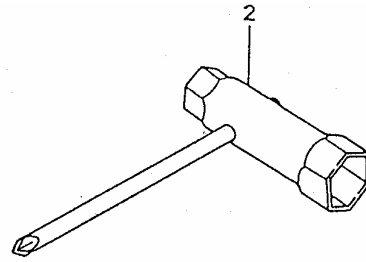
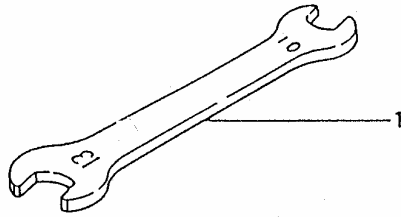
REF. NUMBER	PARTS NUMBER	DESCRIPTION	Q'TY	SERIAL NUMBER
S05-10 GEAR CASE-2				
020	668-8555	GEAR 4 ASS'Y	1	P104241 -
021,1	668-8178	GEAR 4	1	- P104240
021	668-8179	GEAR 4	1	P104241 -
022,1	NLA	Not Longer Available	1	- P104240
022	668-8189	DRIVE SHAFT	1	P104241 -
023	669-5520	KNOCK PIN 4X12	2	
024	NLA	Not Longer Available	1	- P104240
024	668-8043	GEAR CASE C	1	P104241 -
025	669-4910	SCREW 5X50	4	
026	668-4662	S.WASHER 5	4	
027	669-5345	SCREW 5X30/S	2	
029	669-5615	THRUST BRG 1730 2.5X7.5	1	- P104240
029	669-5617	THRUST BEARING 2035	1	P104241 -
030	NLA	Not Longer Available	1	- P104240
030	668-8223	GEAR SHAFT COLLAR A	1	P104241 -
031	669-5542	BALL BEARING #6003Z, 35MM/OD	1	- P104240
031	669-5584	BALL BEARING 6904ZZ C3	1	P104241 -
032	669-5296	STOP RING C-35, INNER	1	- P104240
032	669-5297	STOP RING C-37, INNER	1	P104241 -
033	NLA	Not Longer Available	1	P104241 -
038	668-6626	LOCK NUT	1	- P104240
042	668-8234	GEAR SHAFT COLLAR B	1	P104241 -
044	669-3554	PIN	2	
045	669-3558	SNAP PIN 8	2	
056	668-4611	WASHER M8	2	
057	NLA	Not Longer Available	1	P104241 -

S05-11 HANDLE

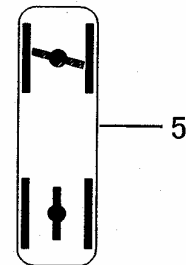


REF. NUMBER	PARTS NUMBER	DESCRIPTION	Q'TY	SERIAL NUMBER
S05-11 HANDLE				
034	NLA	Not Longer Available	1	
035	669-5219	S.WASHER 6	4	
036	669-5020	PLUS BOLT 6X18	4	
037	668-8015	CORD CLAMP	1	
048	669-3682	THROTTLE LEVER ASS'Y	1	
049,1	668-7502	STOP SWITCH ASS'Y	1	- N212260
049	668-7758	STOP SWITCH COMP.	1	N212261 -
050,1	669-2130	STOP BUTTON BRACKET	1	- N212260
050	669-2138	STOP BUTTON BRACKET	1	N212261 -
051,1	668-7949	SWITCH NAME PLATE	1	- N212260
051	669-4589	STOP BUTTON MARK	1	N212261 -
052	668-6745	COLLAR 4.5	1	- W245515
058	669-4833	LOCK BUTTON SPRING	1	
059	668-4918	WASHER M5	1	
060	669-4883	SCREW 5X8	1	
064	668-7572	PROTECTION TUBE 10X300L	1	- N212260
064	668-7570	PROTECTION TUBE 10X250L	1	N212261 -
065	668-7835	STOP CORD COMP.	1	N212261 -
066	669-3837	THROTTLE WIRE COMP., 7T	1	- T046354
066	669-3836	THROTTLE WIRE 500+42.5	1	T046355 -
070	668-8366	BUTTON STOP	1	N212261 -
071	668-4913	SCREW 3X10	1	N212261 -
072	668-6827	THROTTLE LEVER SPRING	1	T046355 -

S05-12 TOOLS&LABELS



10
WARNING: Manufactured with 1,1,1-trichloroethane, a substance which harms public health and environment by destroying ozone in the upper atmosphere.



REF. NUMBER	PARTS NUMBER	DESCRIPTION	Q'TY	SERIAL NUMBER
S05-12 TOOLS&LABELS				
001	669-3479	SPANNER 10X13	1	
002	668-5997	COMBI. BOX SPANNER 10X19 ,PL	1	
003	N/A	Not Available	1	
004	N/A	Not Available	1	Q246392 -
005	N/A	Not Available	1	T046355 -
010	N/A	Not Available	1	N212261 -
010	N/A	Not Available	1	- Q246391