

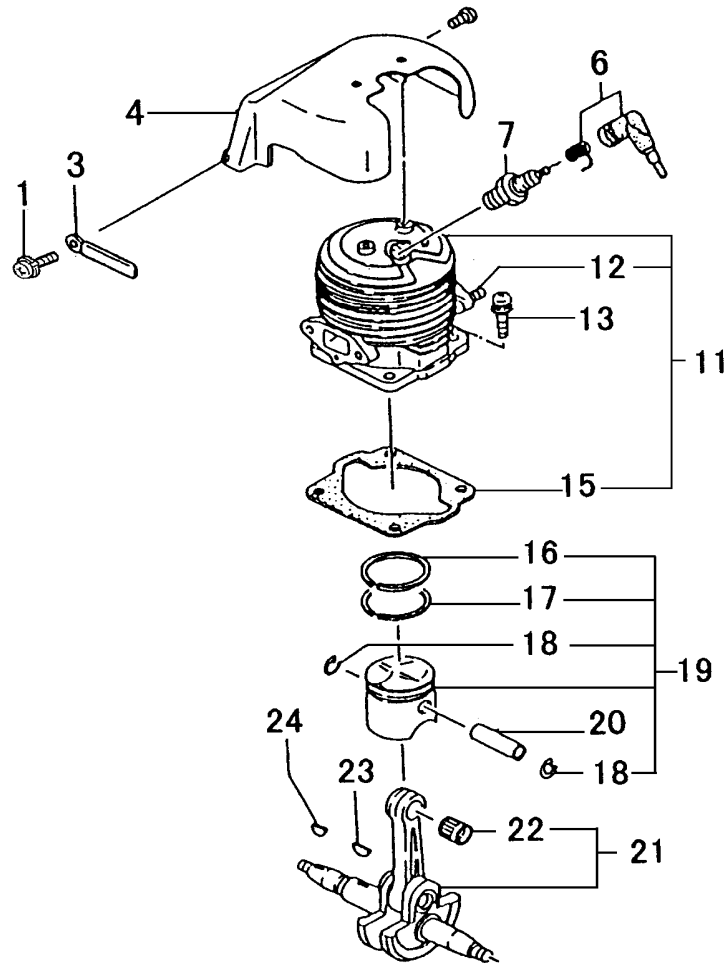
S16

Tanaka

TLE-600

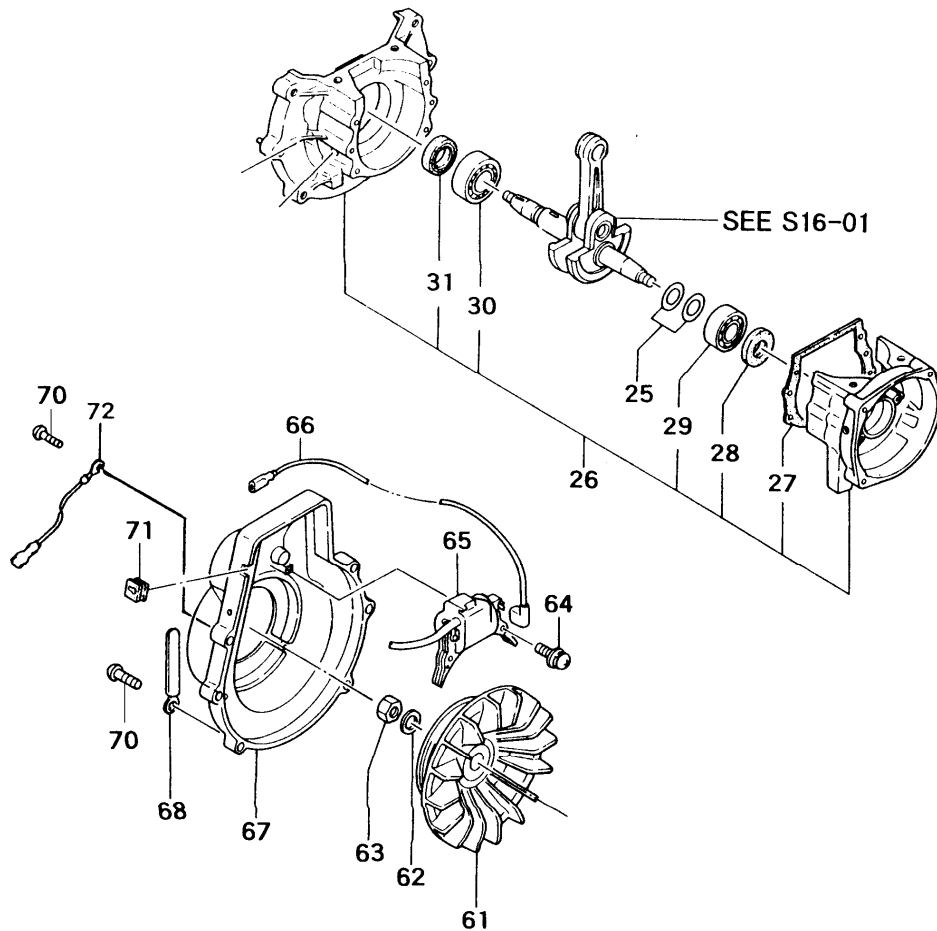
Serial No.

S16-01 CYLINDER/PISTON/CRANK SHAFT



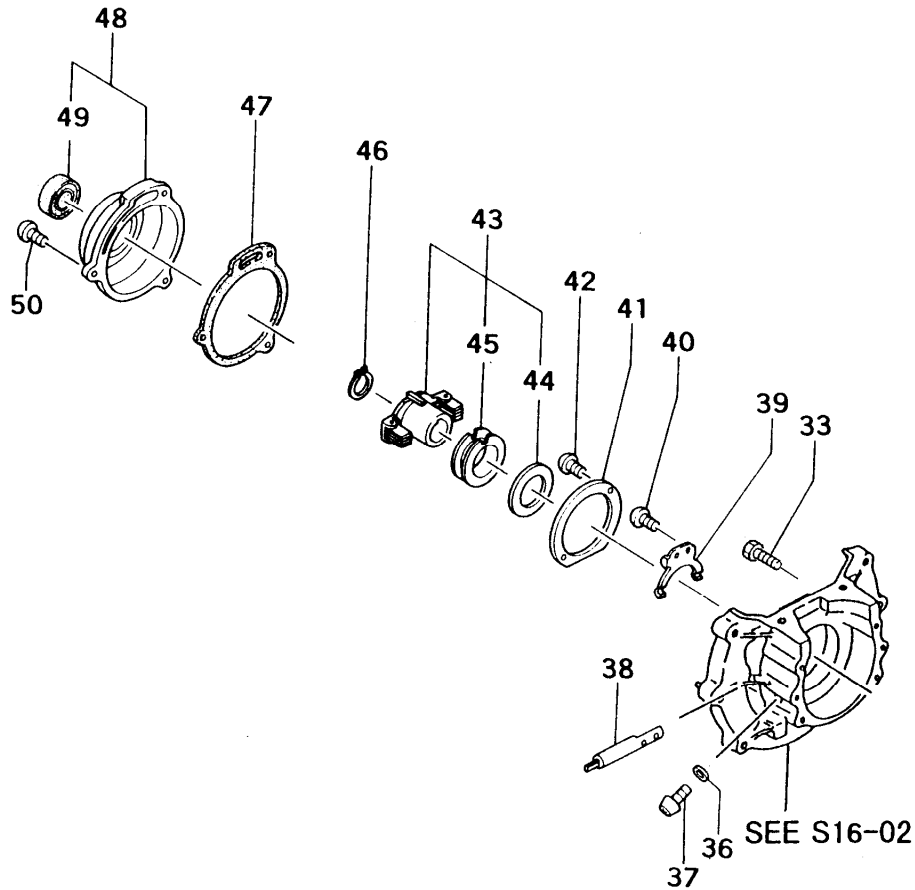
REF. NUMBER	PARTS NUMBER	DESCRIPTION	Q'TY	SERIAL NUMBER
S16-01	CYLINDER/PISTON/CRANK SHAFT			
001	669-5321	SCREW 5X12/P	3	
003	668-8011	CORD CLAMP COMP.	1	
004	668-5695	CYLINDER COVER	1	
006	668-7468	SPARK PLUG CAP ASS'Y	1	
007	668-5778	SPARK PLUG BM-7A	1	
011	668-5497	CYLINDER SET PN	1	
012	668-6773	STUD BOLT 6X30	2	
013	669-5495	HEX. HOLE BOLT 6X18/S	4	
015	668-5753	CYLINDER GASKET	1	
016	668-6051	PISTON RING	1	
017	668-6133	PISTON RING	1	
018	668-6029	PISTON PIN CIRCLIP	2	
019	668-5904	PISTON SET PN	1	
020	668-6019	PISTON PIN 10X35	1	
021	669-7173	CRANK SHAFT COMP	1	
022	669-5596	NEEDLE BRG F1010B 1.4X8.6	1	
023	668-4899	WOODRUFF KEY 3X13X4.5	1	
024	668-6457	WOOD-RUFF KEY 3X13X5	1	

S16-02 CRANK CASE



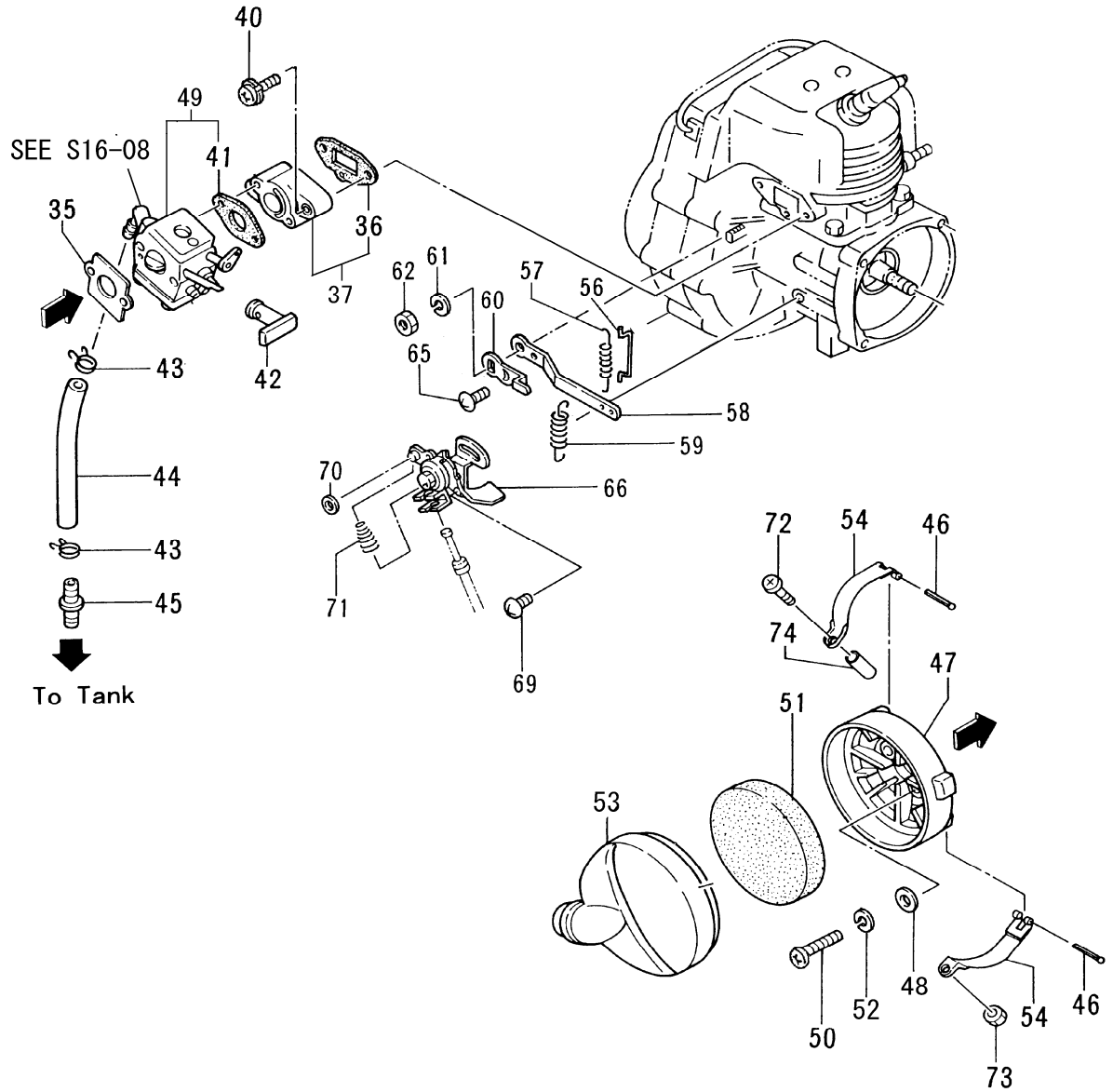
REF. NUMBER	PARTS NUMBER	DESCRIPTION	Q'TY	SERIAL NUMBER
S16-02 CRANK CASE				
025	668-6470	CRANK SHAFT SHIM 0.10	V	
025	668-6471	CRANK SHAFT SHIM 0.15	V	
025	668-6472	CRANK SHAFT SHIM 0.20	V	
025	668-6473	CRANK SHAFT SHIM 0.30	V	
026	668-6596	CRANK CASE ASS'Y	1	
027	668-6727	CRANK CASE GASKET	1	
028	669-5641	OIL SEAL 15307	1	
029	669-5557	BALL BEARING #6202, 35MM/OD	1	
030	669-5562	BALL BEARING #6203, 40MM/OD	1	
031	669-5648	OIL SEAL UE17307	1	
061	668-7403	MAGNETO ROTOR COMP.	1	
062	669-5198	WASHER 10	1	
063	669-5134	NUT 10 (L.H. THREAD)	1	
064	669-5410	SCREW 4X22/WS	2	
065	668-7710	IGNITION COIL COMP.	1	
066	668-7826	STOP CORD COMP.	1	
067	668-7047	FAN CASE	1	
068	668-8008	CORD CLAMP COMP.	1	
070	669-5364	SCREW 6X30/S	4	
071	668-8040	GROMMET	1	
072	668-8448	EARTH CORD, B70M	1	

S16-03 GOVERNOR



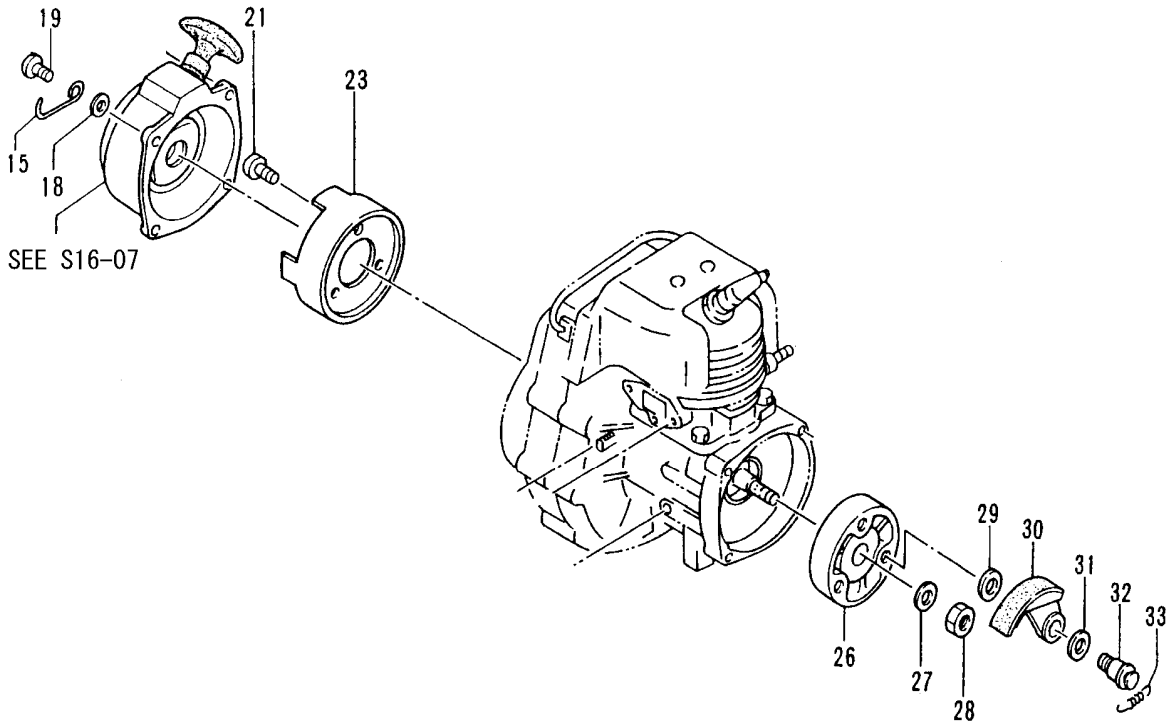
REF. NUMBER	PARTS NUMBER	DESCRIPTION	Q'TY	SERIAL NUMBER
S16-03 GOVERNOR				
033	669-5499	HEX.HOLE BOLT 6X30/S	4	
036	669-2685	DRAIN GASKET	1	
037	669-4926	SCREW 6X10	1	
038	668-9682	GOVERNOR SHAFT	1	
039	668-9679	GOVERNOR SHAFT ARM	1	
040	669-4855	SCREW 3X6	2	
041	668-9174	OIL PARTITION	1	
042	669-4861	SCREW 4X8	2	
043	668-7057	GOVERNOR ASS'Y	1	
044	668-9780	GOVERNOR PLATE	1	
045	668-9782	GOVERNOR SLEEVE	1	
046	669-5285	STOP RING C-15, OUTER	1	
047	668-9775	GOVERNOR COVER GASKET	1	
048	668-9771	GOVERNOR COVER ASS'Y	1	
049	669-5637	OIL SEAL UD15257	1	
050	669-4863	SCREW 4X10	3	

S16-04 ENGINE



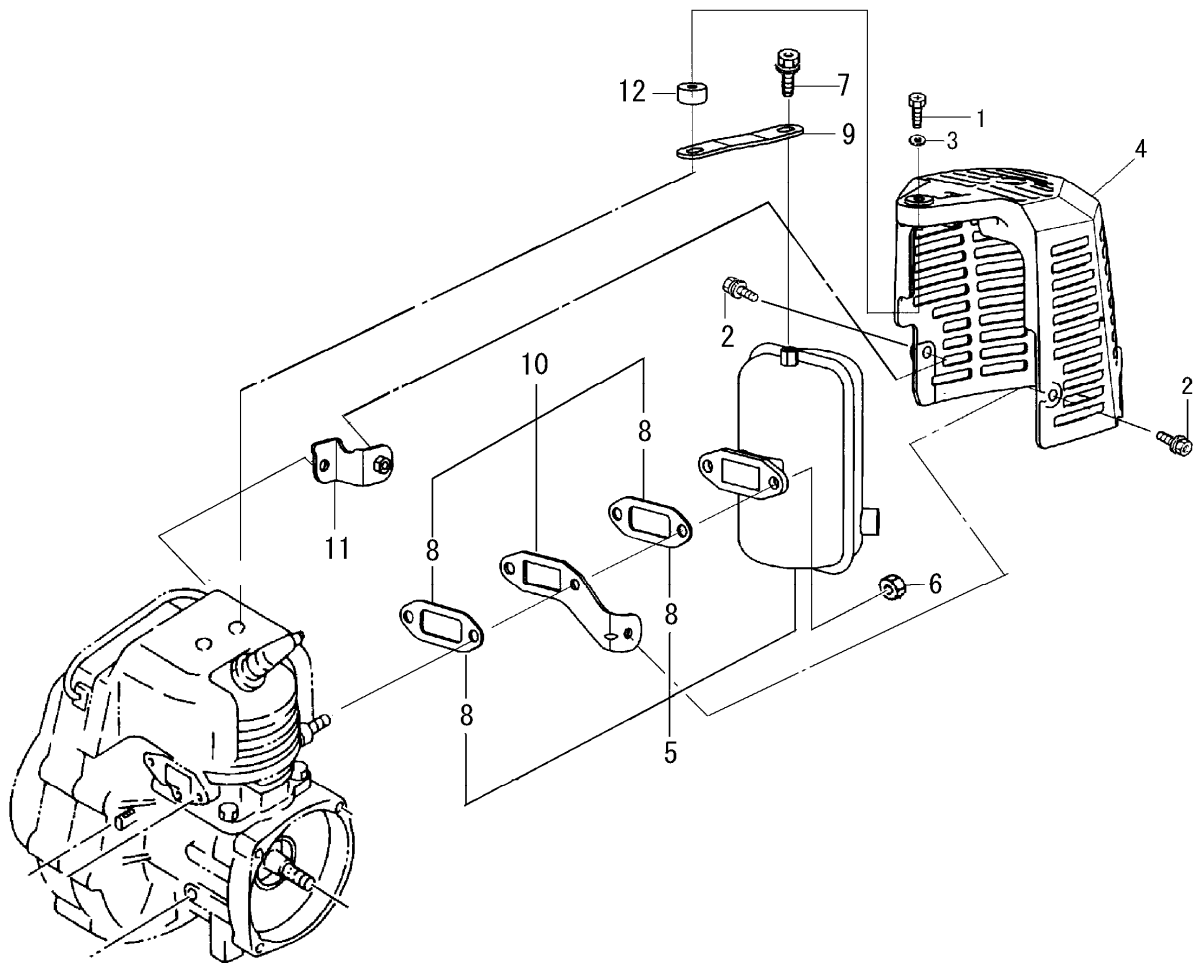
REF. NUMBER	PARTS NUMBER	DESCRIPTION	Q'TY	SERIAL NUMBER
S16-04	ENGINE			
035	669-0183	CLEANER GASKET	1	
036	668-9899	INLET MANIFOLD GASKET	1	
037	668-9980	CARBURETOR INSULATOR SET	1	
040	669-5425	HEX. HOLE BOLT 5X25WS	2	
041	668-9826	CARBURETOR GASKET	1	
042	669-1004	CHOKE LEVER	1	
043	669-2305	CLIP 5.5	2	
044	669-2419	FUEL PIPE 3X5X195	1	
045	669-1019	PIPE JOINT	1	
046	669-5267	SPRING PIN 2.5X16	2	
047	669-0129	CLEANER BODY	1	
048	668-4864	SMALL WASHER 5	2	
049	669-0524	CARBURETOR SET PN	1	
050	669-4917	SCREW 5X65	2	
051	669-0324	CLEANER ELEMENT A	1	
052	668-4662	S.WASHER 5	2	
053	669-0159	CLEANER CAP	1	
054	669-0211	CLEANER BAND	2	
056	669-0964	THROTTLE ROD	1	
057	668-9714	GOVERNOR ROD SPRING	1	
058	668-9719	GOVERNOR OUTER LEVER	1	
059	668-9697	GOVERNOR SPRING	1	
060	668-9687	GOVERNOR SPRING LEVER	1	
061	669-5219	S.WASHER 6	1	
062	668-4872	LOCK NUT M6	1	
065	669-5368	SCREW 4X8/PS	1	
066	669-3591	CONTROL LEVER ASS'Y	1	
069	669-5413	SCREW 5X10 WS	2	
070	669-2396	RUBBER PIPE 7.5X12X3	1	
071	669-4055	WIRE RETURN SPRING	1	
072	669-4901	SCREW 5X35	1	
073	668-4965	NUT M5	1	
074	669-0805	CLEANER FIXING COLLAR	1	

H16-05 STARTER/CLUTCH



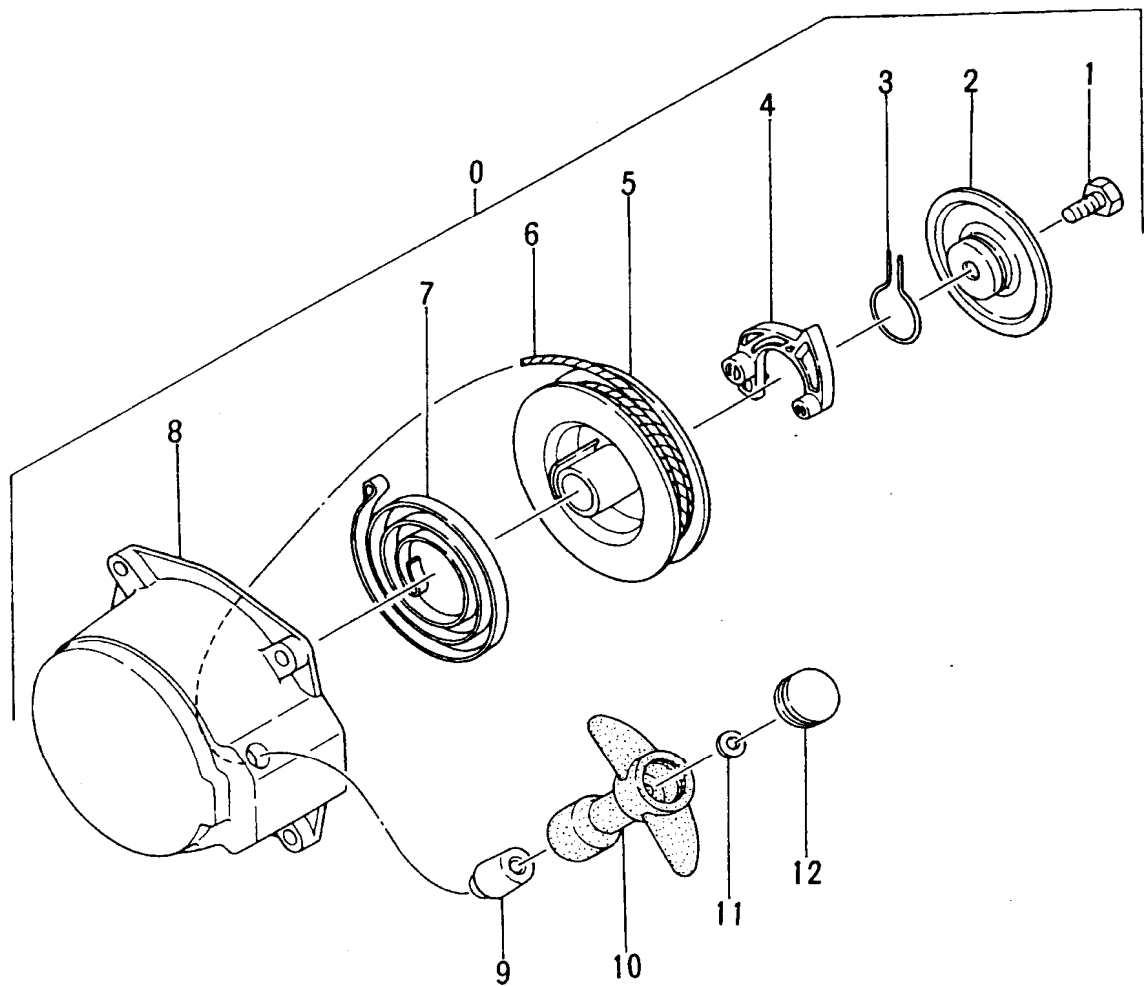
REF. NUMBER	PARTS NUMBER	DESCRIPTION	Q'TY	SERIAL NUMBER
S16-05 STARTER/CLUTCH				
015	669-0734	HOSE CLAMP	1	
018	668-4661	WASHER 5	1	
019	669-5391	SCREW 5X20/PS	4	
021	669-5360	SCREW 6X20/S	3	
023	669-3410	STARTER PULLEY	1	
026	668-9508	CLUTCH FLANGE	1	
027	669-5198	WASHER 10	1	
028	669-5142	SMALL NUT 10 (L.H.THREAD)	1	
029	668-9645	CLUTCH WASHER B	3	
030	668-8617	CLUTCH ARM COMP.	3	
031	668-9638	CLUTCH WASHER A	3	
032	668-9633	CLUTCH STEP BOLT	3	
033	668-9434	CLUTCH SPRING	3	

S16-06 MUFFLER



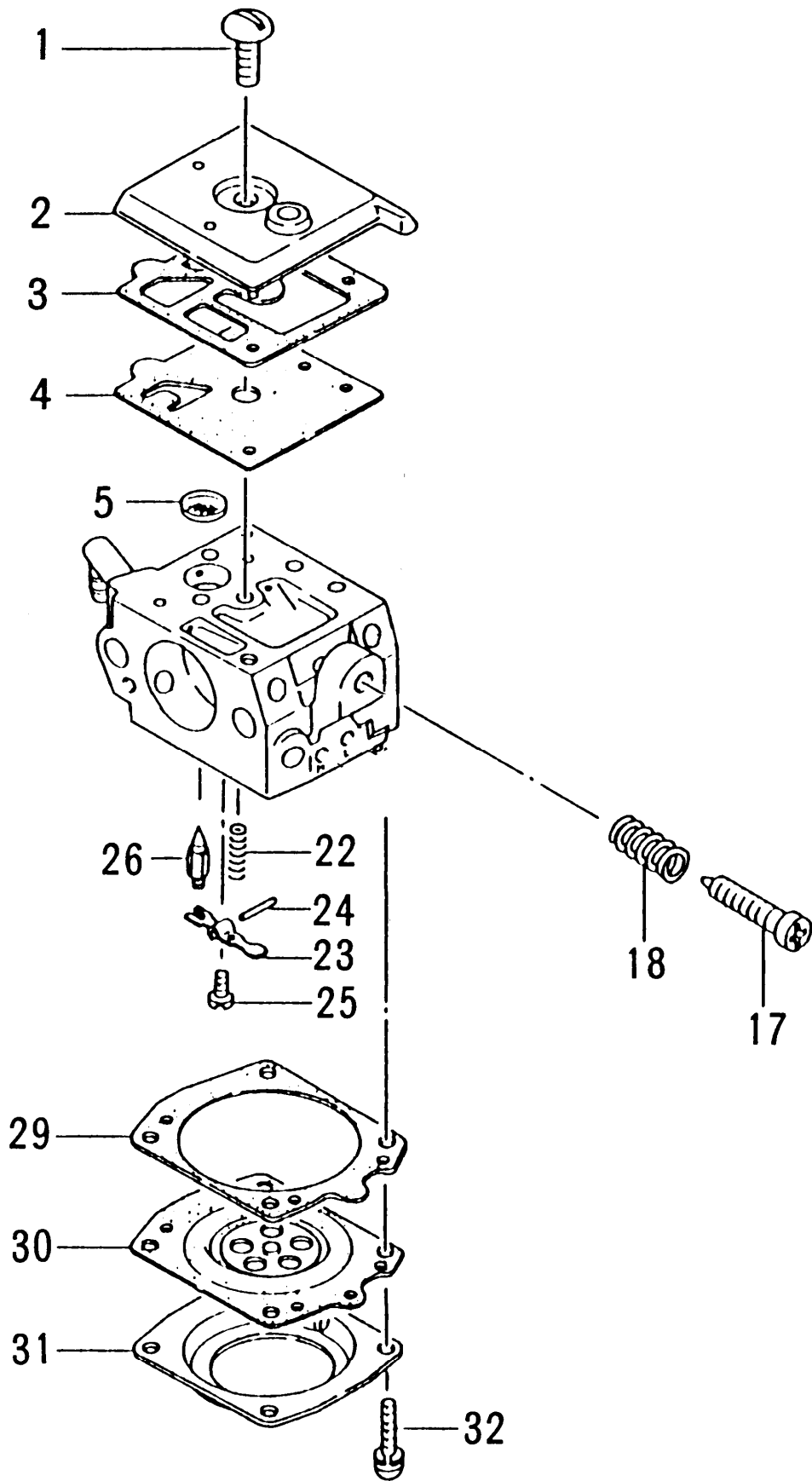
REF. NUMBER	PARTS NUMBER	DESCRIPTION	Q'TY	SERIAL NUMBER
S16-06 MUFFLER				
001	668-4786	HEX. SOCKET HD. BOLT M5X30 S	1	
002	669-5504	HEX.HOLE BOLT 5X16/PS	2	
003	668-4661	WASHER 5	1	
004	669-2821	MUFFLER PROTECTOR	1	
005	669-2503	MUFFLER SET	1	
006	669-5475	SPRING NUT 6	2	
007	669-5481	HEX. HOLE BOLT 5X10W	1	
008	669-2746	MUFFLER GASKET 1.5T	2	
009	669-2705	MUFFLER STAY	1	
010	669-6179	MUFFLER BRACKET B	2	
011	669-2943	MUFFLER BRACKET	1	
012	669-2183	TANK FIXING COLLAR	1	

S16-07 RECOIL STARTER



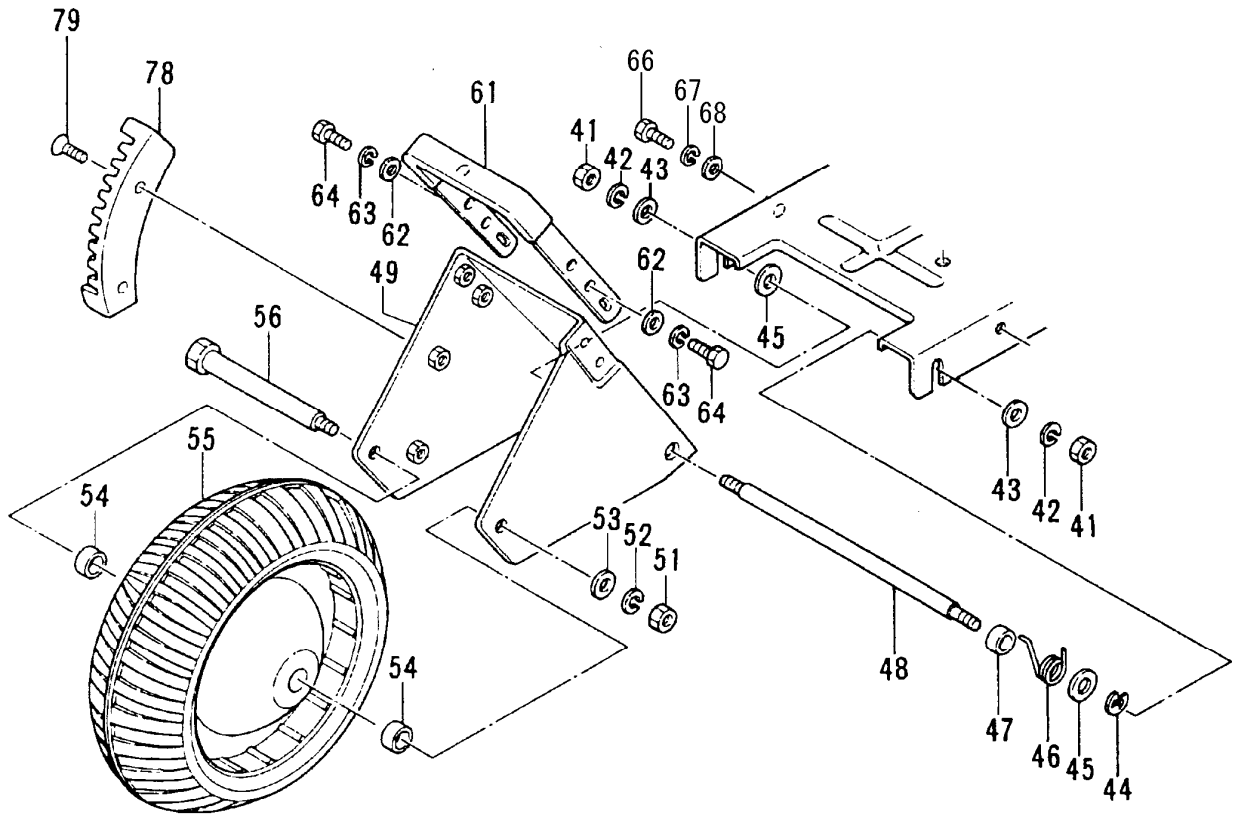
REF. NUMBER	PARTS NUMBER	DESCRIPTION	Q'TY	SERIAL NUMBER
S16-07 RECOIL STATER				
000	669-2996	RECOIL STARTER BODY ASS'Y	1	
001	669-4982	BOLT 6X12	1	
002	669-3630	FRICITION PLATE	1	
003	669-3617	FRICITION SPRING	1	
004	669-3323	STARTER PAWL	1	
005	669-3085	STARTER ROPE REEL COMP.	1	
006	669-3176	STARTER ROPE	1	
007	669-3123	RECOIL SPRING	1	
008	669-3045	STARTER BODY	1	
009	669-3140	ROPE GUIDE	1	
010	669-3241	STARTER HANDLE	1	
011	669-3383	ROPE STOPPER	1	
012	669-3610	STARTER HANDLE CAP	1	

S16-08 CARBURETOR



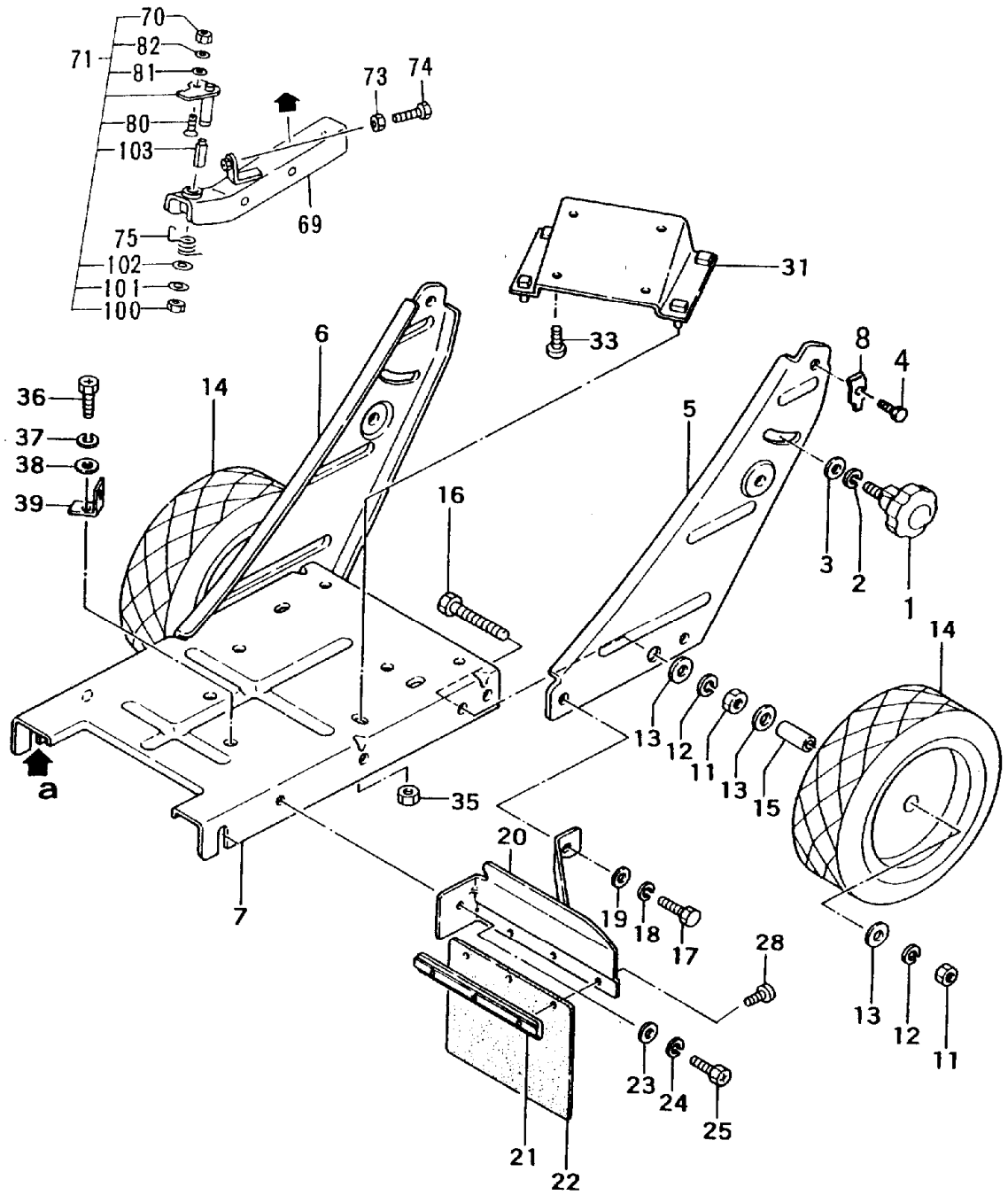
REF. NUMBER	PARTS NUMBER	DESCRIPTION	Q'TY	SERIAL NUMBER
S16-08	CARBURETOR			
001	668-5210	SCREW	1	
002	669-1420	PUMP BODY	1	
003	669-1455	PUMP GASKET	1	
004	669-1446	PUMP DIAPHRAGM	1	
005	668-4700	INLET SCREEN	1	
017	669-0736	IDLE ADJUST SCREW	1	
018	669-0766	IDLE ADJUST SPRING	1	
022	669-0873	VALVE SPRING	1	
023	669-0819	CONTROL LEVER	1	
024	668-5219	HINGE PIN	1	
025	668-5218	HINGE PIN SET SCREW	1	
026	668-5215	NEEDLE VALVE	1	
029	669-0838	DIAPHRAGM GASKET	1	
030	669-0828	METERRING DIAPHRAGM COMP.	1	
031	669-0858	DIAPHRAGM COVER	1	
032	668-5223	SET SCREW	4	
	669-2185	REPAIR KIT K10HDA	1	
	669-2195	GASKET/DIA. KIT, D10HDA	1	

S16-09 FRONT FENDER



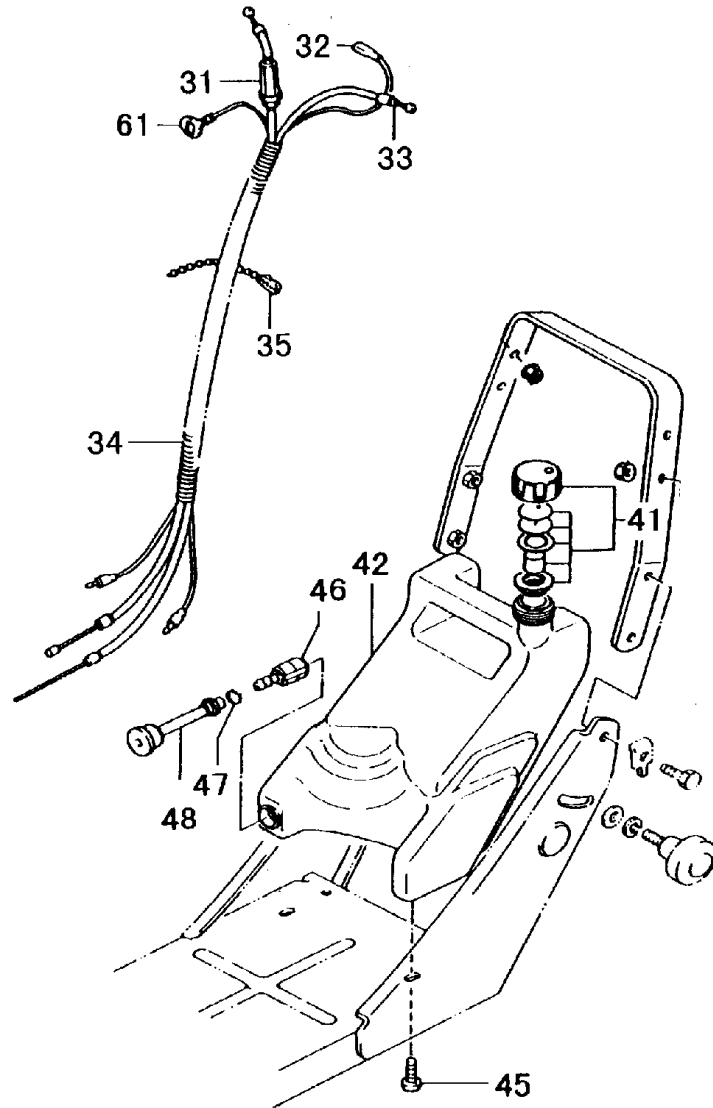
REF. NUMBER	PARTS NUMBER	DESCRIPTION	Q'TY	SERIAL NUMBER
S16-09	FRONT FENDER			
041	668-4612	HEX.NUT M8	2	
042	668-4971	S.WASHER 8	2	
043	668-4611	WASHER M8	2	
044	669-5314	STOP RING E-10	1	
045	669-0891	WASHER	2	
046	668-7992	FRONT FENDER SPRING	1	
047	668-9149	SPACER B	1	
048	668-8624	CENTER SHAFT	1	
049	668-7987	FRONT FENDER COMP.	1	
051	668-4612	HEX.NUT M8	1	
052	668-4971	S.WASHER 8	1	
053	668-4611	WASHER M8	1	
054	668-9135	SPACER	2	
055	669-0181	FRONT WHEEL	1	
056	668-8619	FRONT SHAFT	1	
061	668-7994	CARRYING HANDLE	1	
062	668-4639	WASHER 6	4	
063	669-5219	S.WASHER 6	4	
064	669-4987	BOLT 6X20	4	
066	669-5000	BOLT 8X20	1	
067	668-4971	S.WASHER 8	1	
068	668-4611	WASHER M8	1	
078	669-0842	ADJUST PLATE	1	
079	669-4956	F.H. SCREW 8X12	2	

S16-010 ENGINE BASE



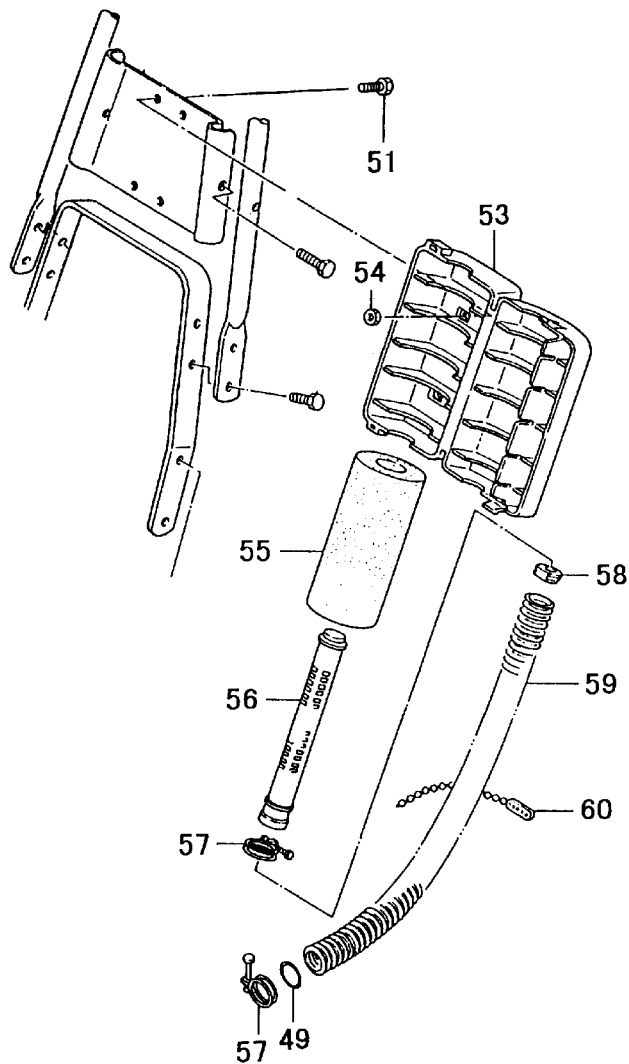
REF. NUMBER	PARTS NUMBER	DESCRIPTION	Q'TY	SERIAL NUMBER
S16-10	ENGINE BASE			
001	668-8090	LOCK HANDLE COMP.	2	
002	668-4971	S.WASHER 8	2	
003	668-4611	WASHER M8	2	
004	669-5000	BOLT 8X20	2	
005	668-7721	HANDLE HOLDER A	1	
006	668-7723	HANDLE HOLDER B	1	
007			1	
008	668-7727	LOCK WASHER	2	
011	669-5131	NUT 10	4	
012	669-5225	S.WASHER 10	4	
013	669-5198	WASHER 10	6	
014	669-0188	REAR WHEEL	2	
015	668-8626	COLLAR	2	
016	669-5007	HEX. BOLT 10X70	2	
017	669-5000	BOLT 8X20	4	
018	668-4971	S.WASHER 8	4	
019	668-4611	WASHER M8	4	
020	669-1008	MUD FLAP BRACKET COMP.	1	
021	669-1016	MUD FLAP HOLDER	1	
022	669-1030	MUD FLAP	1	
023	668-4639	WASHER 6	1	
024	669-5219	S.WASHER 6	1	
025	669-5015	PLUS BOLT 6X12	1	
028	669-5370	SCREW 4X12/PS	3	
031	668-5591	ENGINE BED COMP.	1	
033	669-5358	SCREW 6X16/S	4	
035	669-5170	FLANGE NUT 6	4	
036	669-5019	PLUS BOLT 6X16	1	
037	669-5219	S.WASHER 6	1	
038	668-4639	WASHER 6	1	
039	668-9299	CLUTCH CASE STAY	1	
069	669-0888	ADJUST STAY COMP	1	
070	669-5170	FLANGE NUT 6	1	
071	669-0901	LOCK PLATE ASSY	1	
073	668-4872	LOCK NUT M6	1	
074	669-4046	OUTER RECEIVER	1	
075	669-0920	LOCK PLATE SPRING	1	
080	669-4062	WIRE HOLDING METAL	1	
081	669-3783	SPECIAL WASHER B	1	
082	668-4639	WASHER 6	1	
100	669-5161	U-NUT 8	1	
101	668-4611	WASHER M8	1	
102	668-8981	ENGAGE LEVER WASHER	1	
103	669-0798	SPLIT COLLAR 24, NYLON	1	

S16-11 TANK/WIRE



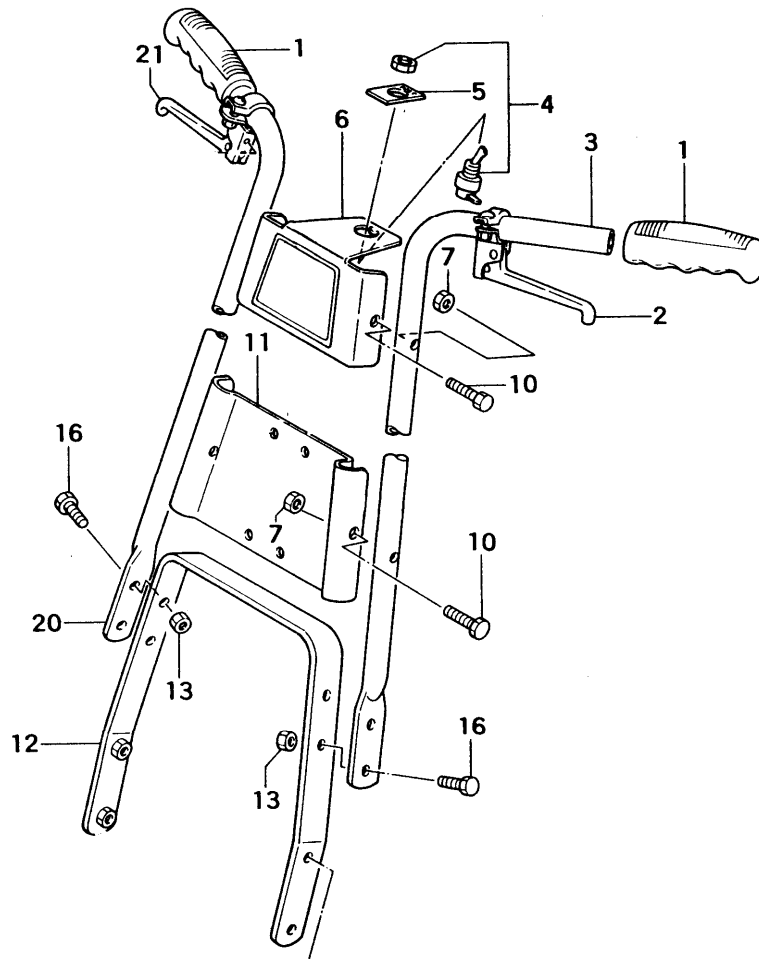
REF. NUMBER	PARTS NUMBER	DESCRIPTION	Q'TY	SERIAL NUMBER
S16-11	TANK/WIRE			
031	669-3935	THROTTLE WIRE COMP.	1	
032	668-7879	STOP CORD COMP.	1	
033	669-0886	HEIGHT ADJUST WIRE	1	
034	668-7618	SPLIT PROTECTION TUBE 13X85	1	
035	668-4715	CLAMP B.	1	
041	669-1787	TANK CAP ASS'Y	1	
042	669-1642	TANK COMP.	1	
045	669-5399	SCREW 6X12/PS	4	
046	669-2273	PUMP FILTER BODY ASS'Y	1	
047	669-2312	CLIP 7	1	
048	669-2299	RUBBER PIPE	1	
061	668-7804	EARTH CORD, B1150M	1	

S16-12 AIR CLEANER



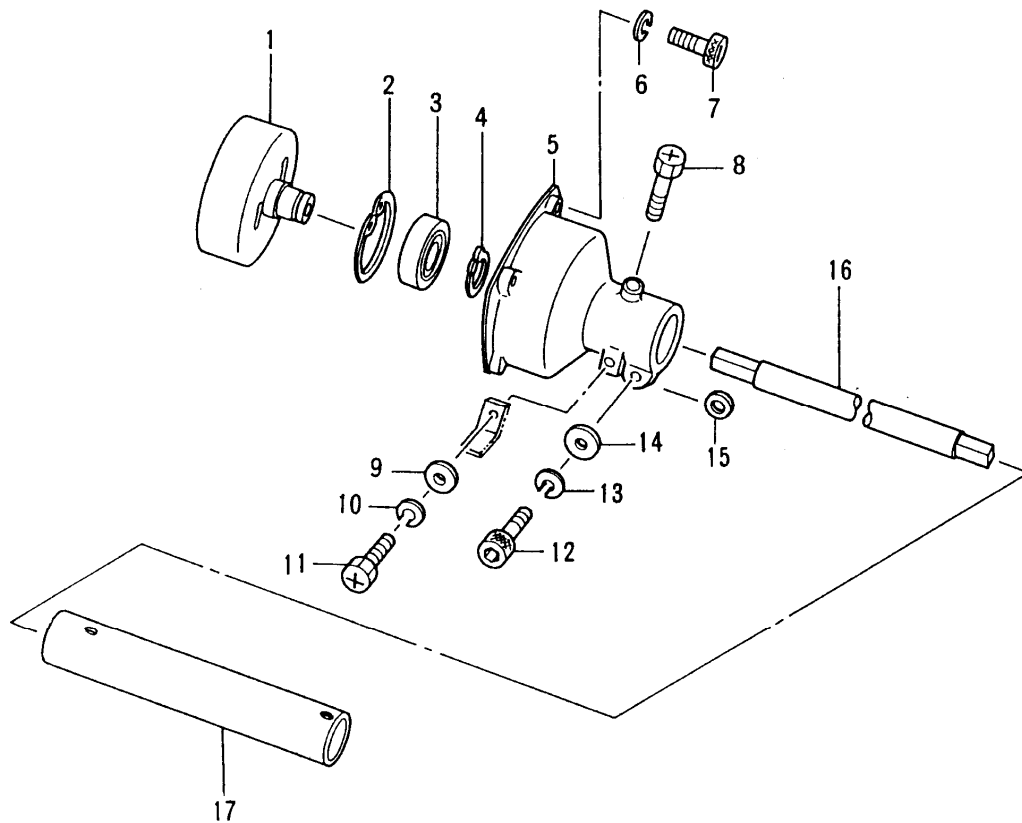
REF. NUMBER	PARTS NUMBER	DESCRIPTION	Q'TY	SERIAL NUMBER
S16-12 AIR CLEANER				
049	669-5680	O-RING P-42	1	
051	669-5384	SCREW 5X14/PS	4	
053	669-0138	CLEANER BODY	1	
054	668-4965	NUT M5	4	
055	669-0327	CLEANER ELEMENT	1	
056	669-0168	CLEANER CORE	1	
057	669-0792	WIRE CLAMP	2	
058	669-0757	ORIFICE PIPE 15	1	
059	668-7619	CLEANER HOSE 32X550L	1	
060	669-0681	HOSE CLAMP	1	

S16-13 HANDLE



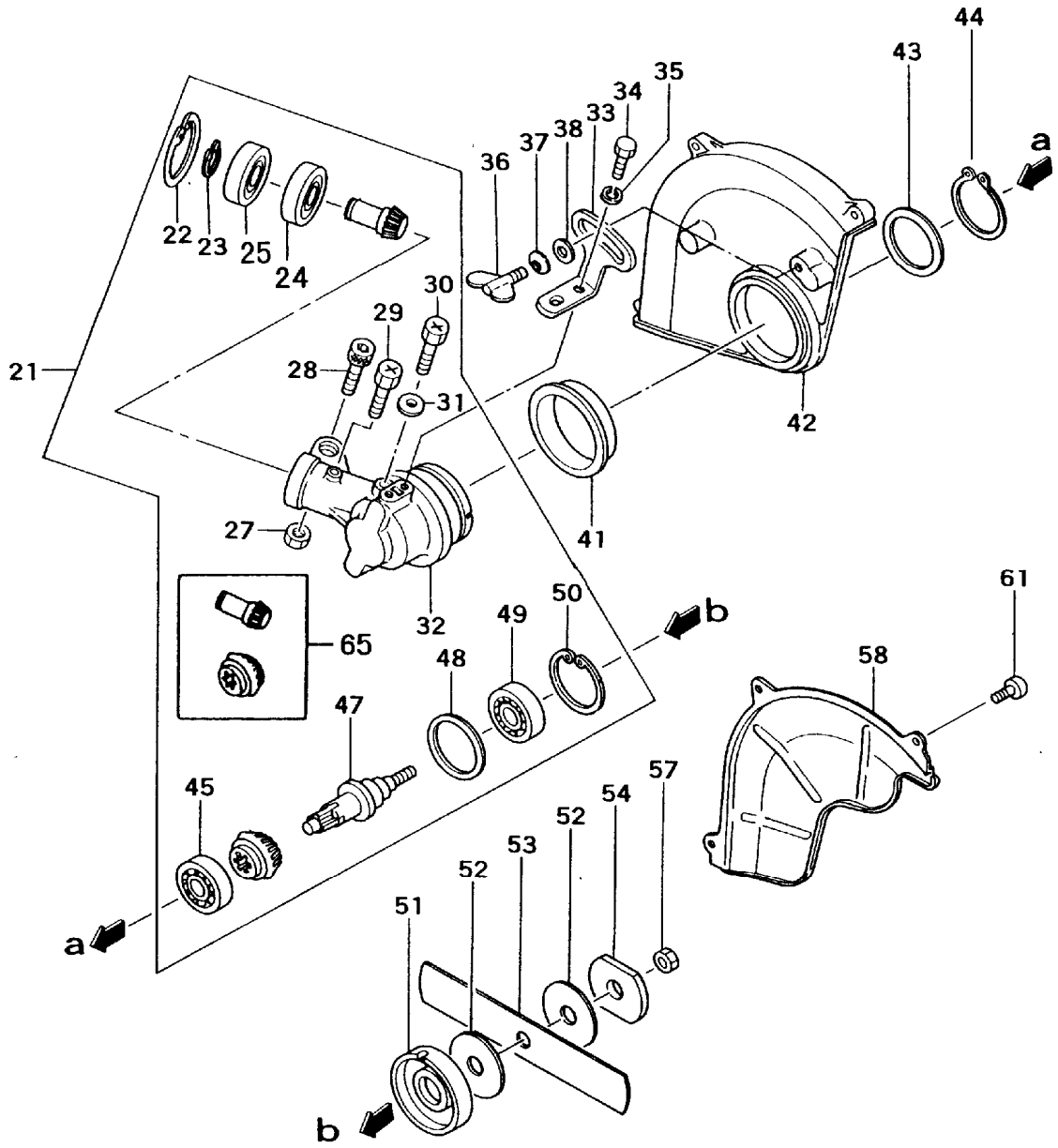
REF. NUMBER	PARTS NUMBER	DESCRIPTION	Q'TY	SERIAL NUMBER
S16-13 HANDLE				
001	668-7623	HANDLE GRIP	2	
002	669-0816	ADJUST LEVER ASS'Y	1	
003	668-7493	HANDLE (LEFT)	1	
004	668-7502	STOP SWITCH ASS'Y	1	
005	668-7949	SWITCH NAME PLATE	1	
006	669-2140	STOP SWITCH PLATE	1	
007	669-5170	FLANGE NUT 6	4	
010	669-4992	BOLT 6X35	4	
011	669-0438	CLEANER BODY HOLDER	1	
012	668-7423	HANDLE A	1	
013	669-5170	FLANGE NUT 6	4	
016	669-5020	PLUS BOLT 6X18	4	
020	668-7485	HANDLE (RIGHT)	1	
021	669-6369	THROTTLE LEVER ASS'Y	1	

S16-14 CLUTCH CASE



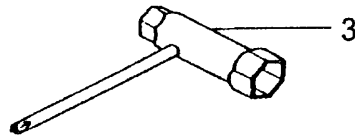
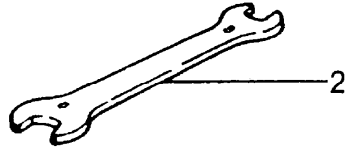
REF. NUMBER	PARTS NUMBER	DESCRIPTION	Q'TY	SERIAL NUMBER
S16-14 CLUTCH CASE				
001	668-9234	CLUTCH DRUM COMP.	1	
002	669-5298	STOP RING C-40, INNER	1	
003	669-5564	BALL BEARING #6203DD, 40MM/C	1	
004	669-5286	STOP RING C-17, OUTER	1	
005	668-9212	CLUTCH CASE	1	
006	668-4834	SPRING WASHER 5	4	
007	669-5051	HEX. HOLE BOLT 5X25	4	
008	669-5015	PLUS BOLT 6X12	1	
009	668-4639	WASHER 6	1	
010	669-5219	S.WASHER 6	1	
011	669-5019	PLUS BOLT 6X16	1	
012	669-5063	HEX. HOLE BOLT 6X30	1	
013	668-4826	S.WASHER 6	1	
014	669-5194	WASHER 6	1	
015	668-9296	CLUTCH CASE WASHER	1	
016	668-9446	DRIVE SHAFT	1	
017	668-9318	DRIVE SHAFT PIPE	1	

S16-15 GEAR CASE



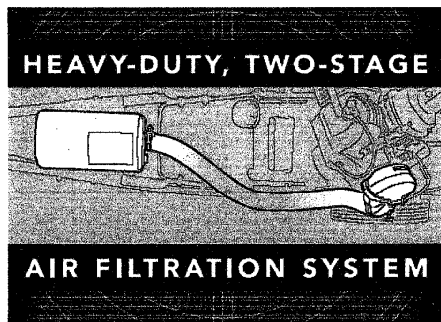
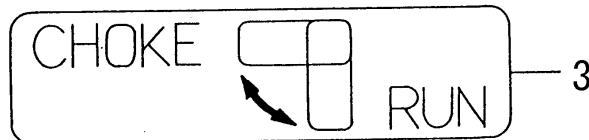
REF. NUMBER	PARTS NUMBER	DESCRIPTION	Q'TY	SERIAL NUMBER
S16-15 GEAR CASE				
021	668-8662	GEAR CASE ASS'Y	1	
022	669-5295	STOP RING C-32, INNER	1	
023	669-5285	STOP RING C-15, OUTER	1	
024	669-5536	BALL BEARING #6002, 32MM/OD	1	
025	669-5538	BALL BEARING #6002Z, 32MM/OD	1	
027	669-5128	NUT 8	1	
028	669-5069	HEX. HOLE BOLT 8X30	1	
029	669-5015	PLUS BOLT 6X12	1	
030	669-5026	PLUS BOLT 8X12	1	
031	668-9104	DRAIN PLUG GASKET	1	
032	668-8659	GEAR CASE	1	
033	669-0321	SIDE COVER STAY	1	
034	669-4983	BOLT 6X15	2	
035	669-5219	S.WASHER 6	2	
036	669-5097	WING BOLT 8X20	1	
037	668-4648	BENT WASHER 8	1	
038	668-4611	WASHER M8	1	
041	669-0336	SAFETY COVER HOLDER	1	
042	669-0215	SAFETY COVER	1	
043	668-7322	SAFETY COVER WASHER	1	
044	669-5290	STOP RING C-65, OUTER	1	
045	669-5552	BALL BEARING #6201, 32MM/OD	1	
047	668-8920	GEAR SHAFT	1	
048	668-9761	BEARING HOLDER	1	
049	669-5566	BALL BEARING #6205 DD, 52MM/OD	1	
050	669-5300	STOP RING C-52, INNER	1	
051	668-9014	CUTTER HOLDER	1	
052	668-9078	HOLDER WASHER	2	
053	669-0192	BLADE	1	
054	668-9040	CUTTER HOLDER CAP	1	
057	669-5140	SMALL NUT 12	1	
058	669-0288	SIDE COVER	1	
061	669-5382	SCREW 5X12/PS	3	
065	668-8840	GEAR PINION SET	1	

S16-16 TOOLS



REF. NUMBER	PARTS NUMBER	DESCRIPTION	Q'TY	SERIAL NUMBER
S16-16 TOOLS				
001	669-2899	LOCKING BAR	1	
002	669-3498	SPANNER 13X17	1	
003	668-5997	COMBI. BOX SPANNER 10X19 ,PLUS	1	

S16-17 LABELS



REF. NUMBER	PARTS NUMBER	DESCRIPTION	Q'TY	SERIAL NUMBER
S16-17 LABELS				
001	669-4290	NAME PLARE TLE600	1	
002	669-4539	CAUTION MARK	1	
003	669-4434	CHOKE MARK	1	
004	669-4438	AIR FILTER MARK TLE-600	1	
006	669-4516	CAUTION MARK B	1	