

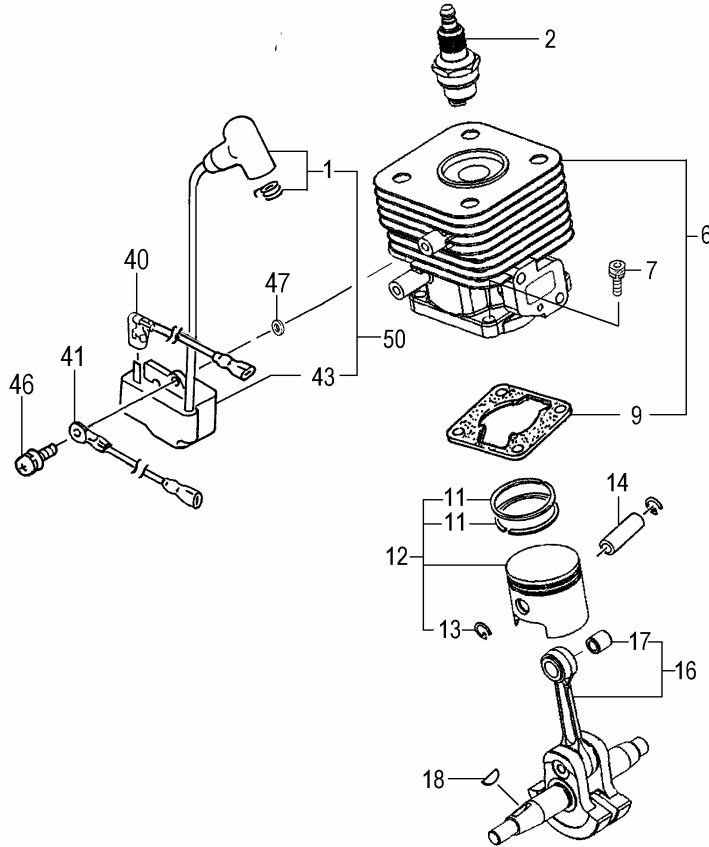
**S24**

***Tanaka***

**TPE-250PF**

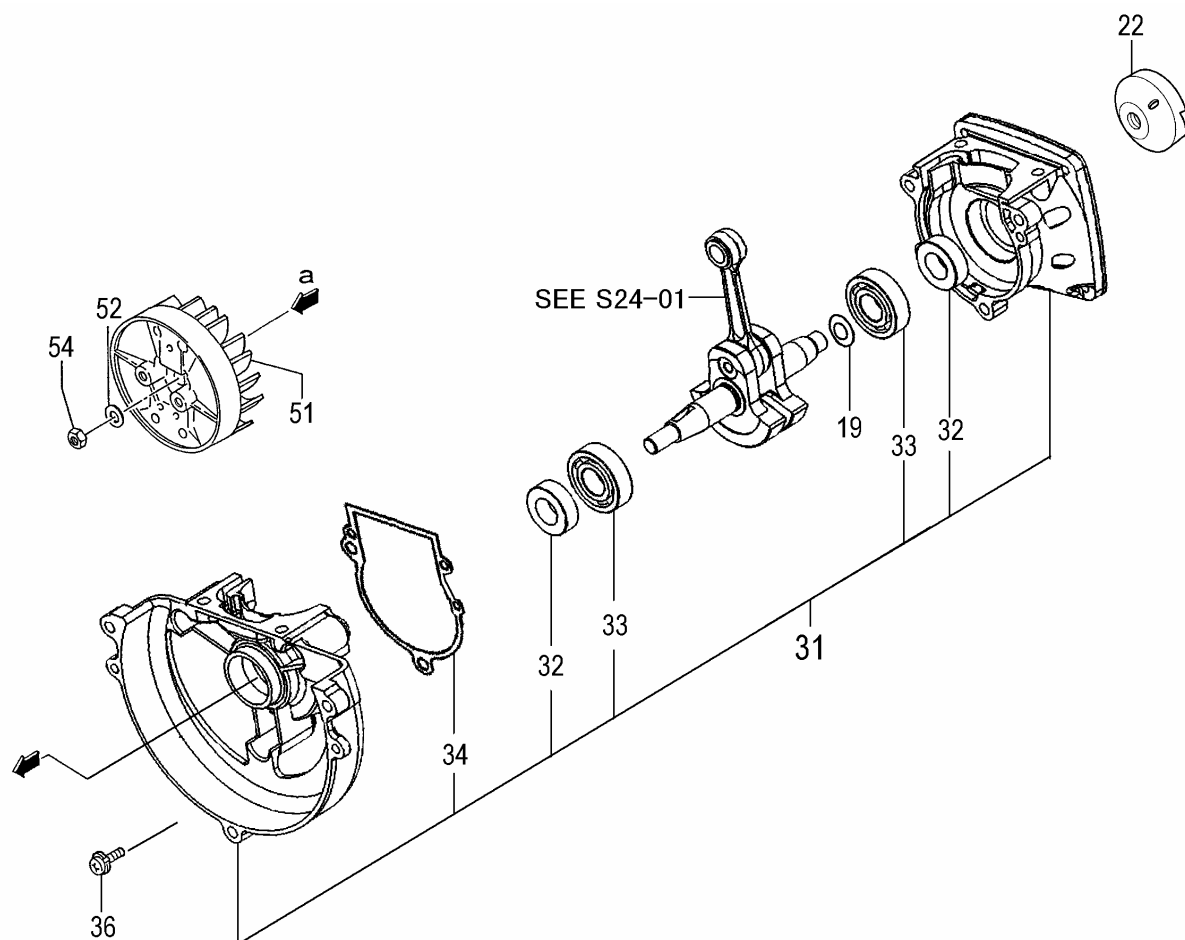
**Serial No.-C205000**

# S24-01 CYLINDER/PISTON/CRANK SHAFT



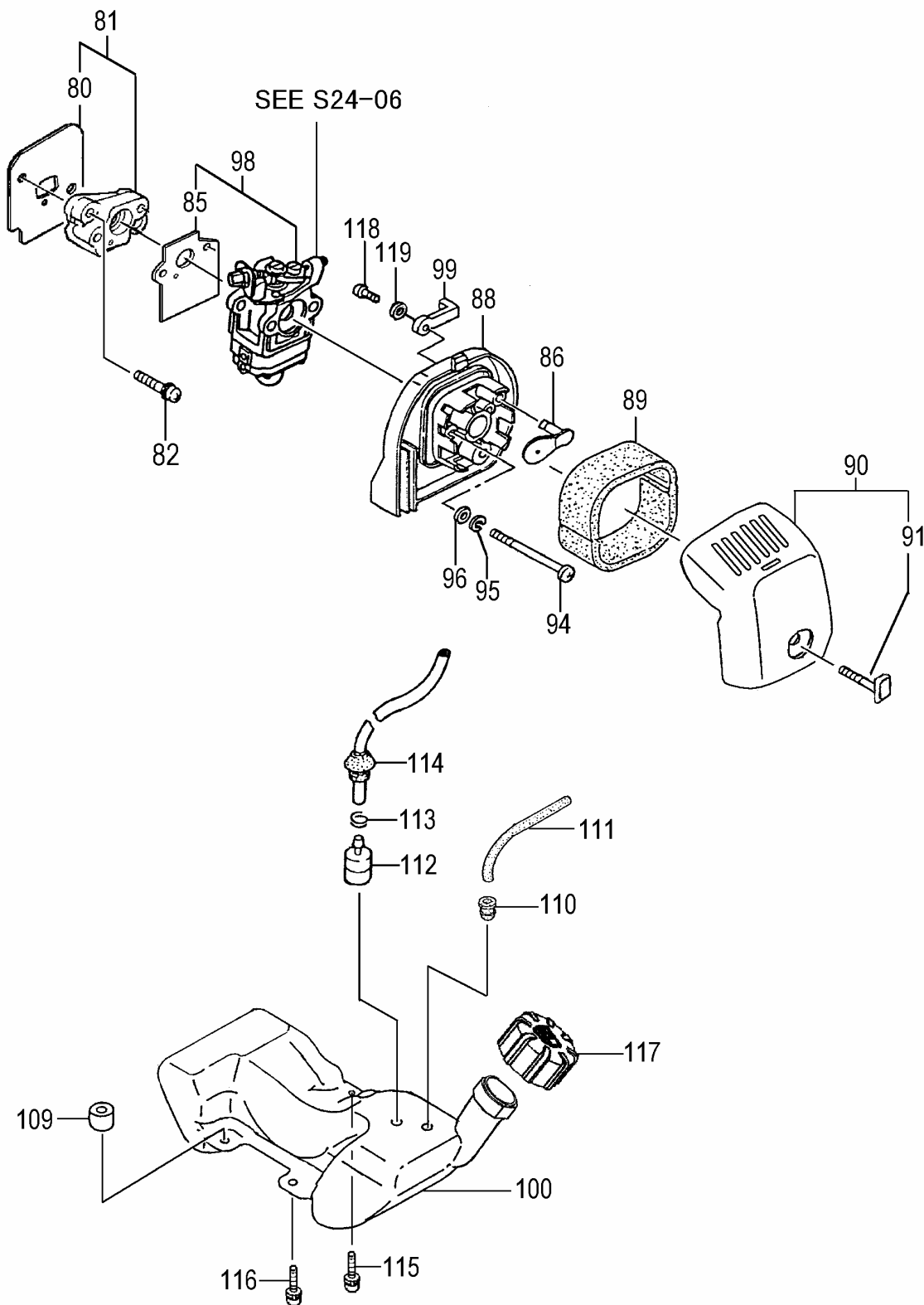
| REF. NUMBER                               | PARTS NUMBER    | DESCRIPTION               | Q'TY     | SERIAL NUMBER |
|---|-----------------|---------------------------|----------|---------------|
| <b>S24-01 CYLINDER/PISTON/CRANK SHAFT</b> |                 |                           |          |               |
| 001                                       | 668-4894        | PLUG CAP                  | 1        |               |
| 002                                       | 668-5772        | SPARK PLUG CJ6Y           | 1        |               |
| 006                                       | 668-5463        | CYLINDER SET              | 1        |               |
| 007                                       | 669-4845        | BATTERY CASE A            | 4        |               |
| 009                                       | 668-5728        | CYLINDER GASKET           | 1        |               |
| 011                                       | 668-4588        | PISTON RING               | 2        |               |
| 012                                       | 668-5899        | PISTON SET                | 1        |               |
| <b>013</b>                                | <b>668-4590</b> | <b>PISTON PIN CIRCLIP</b> | <b>2</b> |               |
| 014                                       | 668-4591        | PISTON PIN                | 1        |               |
| <b>016</b>                                | <b>668-6178</b> | <b>CRANK SHAFT COMP.</b>  | <b>1</b> |               |
| 017                                       | 669-4845        | BATTERY CASE A            | 1        |               |
| 018                                       | 668-4899        | WOODRUFF KEY 3X13X4.5     | 1        |               |
| 040                                       | 668-7836        | STOP CORD B 190M          | 1        |               |
| 041                                       | 668-8443        | EARTH CORD B 165M         | 1        |               |
| 043                                       | 668-7679        | IGNITION COIL COMP.       | 1        |               |
| 046                                       | 669-4845        | BATTERY CASE A            | 2        |               |
| 047                                       | 668-7942        | SPECIAL WASHER            | 2        |               |
| 050                                       | 668-7680        | IGNITION COIL ASS'Y       | 1        |               |

# S24-02 CRANK CASE



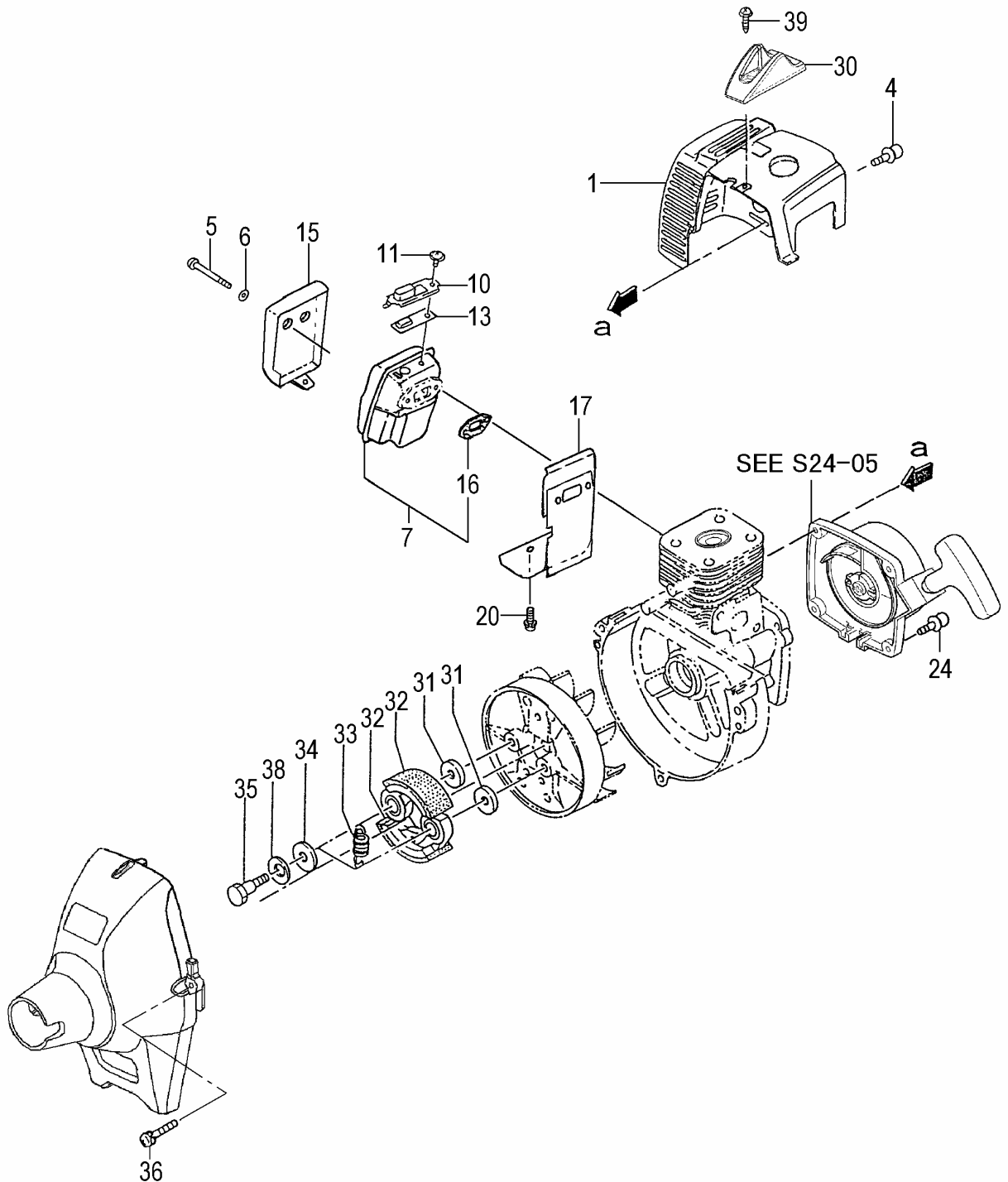
| REF. NUMBER              | PARTS NUMBER    | DESCRIPTION           | Q'TY     | SERIAL NUMBER |
|--------------------------|-----------------|-----------------------|----------|---------------|
| <b>S24-02 CRANK CASE</b> |                 |                       |          |               |
| 019                      | 668-9177        | GEAR SHAFT SHIM 0.10  | V        |               |
| 019                      | 668-9178        | GEAR SHAFT SHIM 0.15  | V        |               |
| 019                      | 668-4604        | GEAR SHAFT SHIM 0.20  | V        |               |
| 019                      | 668-4605        | GEAR SHAFT SHIM 0.30  | V        |               |
| 022                      | 668-4937        | STARTER PULLEY        | 1        |               |
| 031                      | 668-6531        | CRANK CASE ASS'Y      | 1        |               |
| 032                      | 669-4845        | BATTERY CASE A        | 2        |               |
| <b>033</b>               | <b>669-4845</b> | <b>BATTERY CASE A</b> | <b>2</b> |               |
| 034                      | 668-6706        | CRANK CASE GASKET     | 1        |               |
| 036                      | 669-4845        | BATTERY CASE A        | 3        |               |
| 051                      | 668-7417        | MAGNETO ROTOR COMP.   | 1        |               |
| 052                      | 669-4845        | BATTERY CASE A        | 1        |               |
| 054                      | 668-5104        | FLYWHEEL NUT          | 1        |               |

# S24-03 ENGINE-1



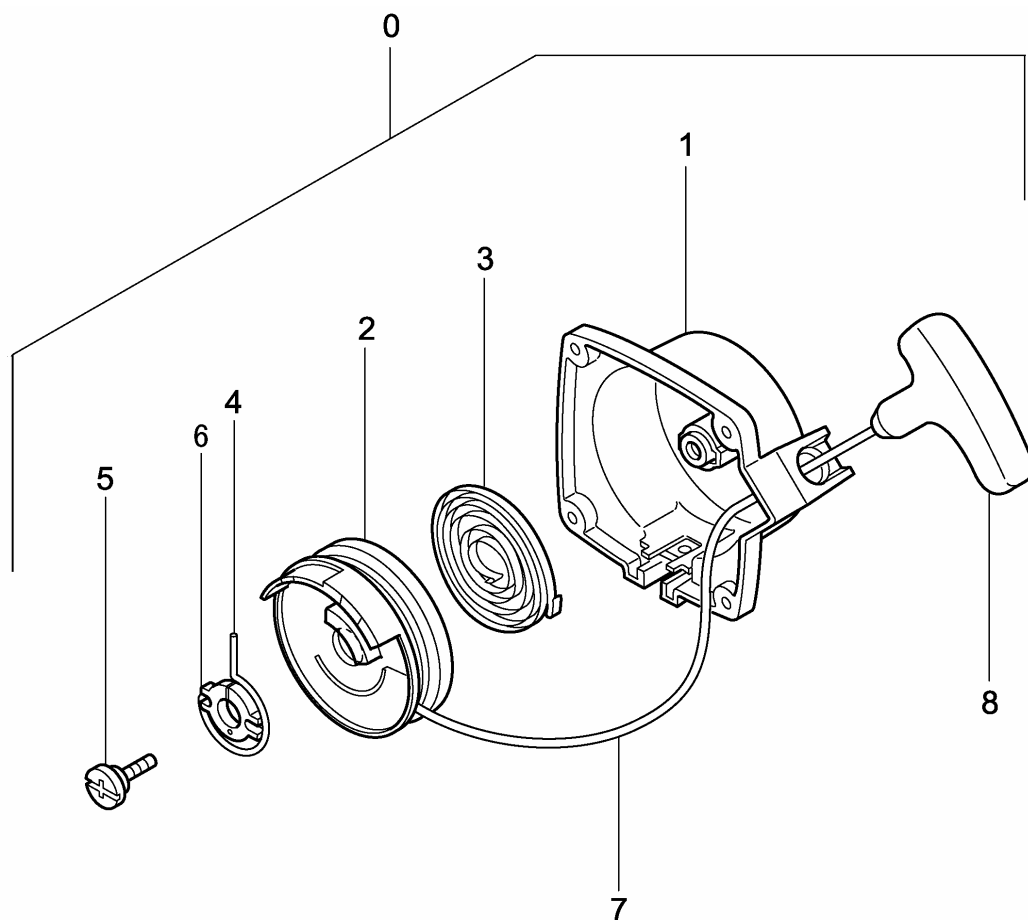
| REF. NUMBER            | PARTS NUMBER | DESCRIPTION            | Q'TY | SERIAL NUMBER |
|------------------------|--------------|------------------------|------|---------------|
| <b>S24-03 ENGINE-1</b> |              |                        |      |               |
| 080                    | 669-7049     | INTAKE MANIFOLD GASKET | 1    | - Y288650     |
| 080                    | 668-9895     | INLET MANIFOLD GASKET  | 1    | Y288651 -     |
| 081                    | 668-9972     | INSULATOR SET          | 1    |               |
| 082                    | 669-4845     | BATTERY CASE A         | 2    |               |
| 085                    | 668-9839     | CARBURETOR GASKET      | 1    |               |
| 086                    | 669-1272     | CHOKE VALVE            | 1    |               |
| 088                    | 669-6026     | CLEANER BODY ASS'Y     | 1    |               |
| 089                    | 669-0364     | CLEANER SPONGE         | 1    |               |
| 090                    | 669-0402     | CLEANER COVER ASS'Y    | 1    |               |
| 091                    | 669-0384     | COVER FIXING BOLT      | 1    |               |
| 094                    | 669-4914     | SCREW 5X55             | 2    |               |
| 095                    | 669-4845     | BATTERY CASE A         | 2    |               |
| 096                    | 669-4845     | BATTERY CASE A         | 2    |               |
| 098                    | 669-0465     | CARBURETOR SET WYJ318  | 1    |               |
| 099                    | 669-1238     | CHOKE ROD COMP.        | 1    |               |
| 100                    | 669-1519     | FUEL TANK              | 1    |               |
| 109                    | 669-2244     | COLLAR 5.8             | 3    |               |
| 110                    | 668-4627     | RETURN GROMMET         | 1    |               |
| 111                    | 668-4626     | FUEL PIPE 3X5X65       | 1    |               |
| 112                    | 668-4620     | PUMP FILTER BODY COMP. | 1    |               |
| 113                    | 668-4619     | CLIP,6.3 DIA.          | 1    |               |
| 114                    | 668-8167     | SHIELD TUBE ASS'Y      | 1    |               |
| 115                    | 669-4845     | BATTERY CASE A         | 1    |               |
| 116                    | 669-4845     | BATTERY CASE A         | 2    |               |
| 117                    | 669-1748     | TANK CAP D ASS'Y       | 1    |               |
| 118                    | 669-4845     | BATTERY CASE A         | 1    |               |
| 119                    | 669-4845     | BATTERY CASE A         | 1    |               |

# S24-04 ENGINE-2



| REF. NUMBER            | PARTS NUMBER | DESCRIPTION           | Q'TY | SERIAL NUMBER |
|------------------------|--------------|-----------------------|------|---------------|
| <b>S24-04 ENGINE-2</b> |              |                       |      |               |
| 001                    | 669-2773     | MUFFLER PROTECTOR     | 1    |               |
| 004                    | 669-4845     | BATTERY CASE A        | 2    |               |
| 005                    | 669-5086     | HEX. HOLE SCREW 6X55  | 2    |               |
| 006                    | 669-4845     | BATTERY CASE A        | 2    |               |
| 007                    | 669-2456     | MUFFLER SET           | 1    |               |
| 010                    | 669-2652     | TAIL PIPE             | 1    |               |
| 011                    | 669-4845     | BATTERY CASE A        | 1    |               |
| 013                    | 669-2696     | MUFFLER ARRESTOR      | 1    |               |
| 015                    | 669-2723     | MUFFLER COVER B COMP. | 1    |               |
| 016                    | 669-2733     | MUFFLER GASKET        | 1    |               |
| 017                    | 669-2719     | MUFFLER COVER A COMP. | 1    |               |
| 020                    | 669-4845     | BATTERY CASE A        | 1    |               |
| 024                    | 669-4845     | BATTERY CASE A        | 2    |               |
| 030                    | 668-8344     | PLUG COVER            | 1    |               |
| 031                    | 668-4642     | CLUTCH WASHER B       | 2    |               |
| 032                    | 668-4643     | CLUTCH SHOE COMP.     | 2    |               |
| 033                    | 668-9429     | CLUTCH SPRING         | 1    |               |
| 034                    | 668-9527     | CLUTCH PLATE A        | 2    |               |
| 035                    | 668-9627     | STEP BOLT             | 2    |               |
| 036                    | 669-4845     | BATTERY CASE A        | 3    |               |
| 038                    | 669-4845     | BATTERY CASE A        | 2    |               |
| 039                    | 668-4636     | TAPPING SCREW D4.5X16 | 1    |               |

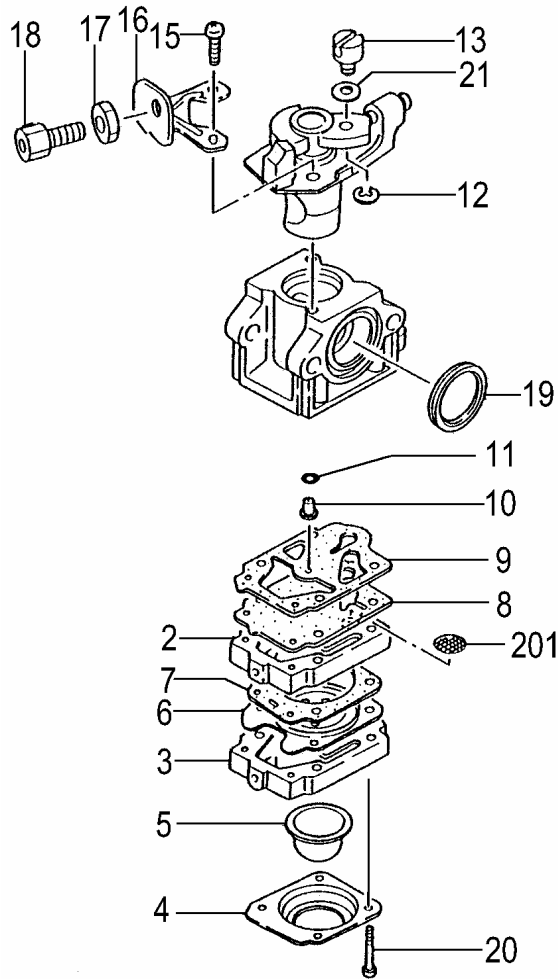
# S24-05 RECOIL STARTER



| REF. NUMBER                  | PARTS NUMBER | DESCRIPTION               | Q'TY | SERIAL NUMBER |
|------------------------------|--------------|---------------------------|------|---------------|
| <b>S24-05 RECOIL STARTER</b> |              |                           |      |               |
| 000                          | 668-4938     | RECOIL STARTER BODY ASS'Y | 1    |               |
| 001                          | 668-4944     | RECOIL STARTER BODY COMP. | 1    |               |
| 002                          | 668-4941     | STARTER ROPE REEL         | 1    |               |
| 003                          | 668-4942     | RECOIL SPRING             | 1    |               |
| 004                          | 668-4940     | SWING ARM                 | 1    |               |
| 005                          | 668-4679     | SET SCREW                 | 1    |               |
| 006                          | 668-4939     | PULLEY STAY               | 1    |               |
| 007                          | 668-4943     | ROPE 3.0X800              | 1    |               |
| 008                          | 668-4680     | STARTER HANDLE            | 1    |               |

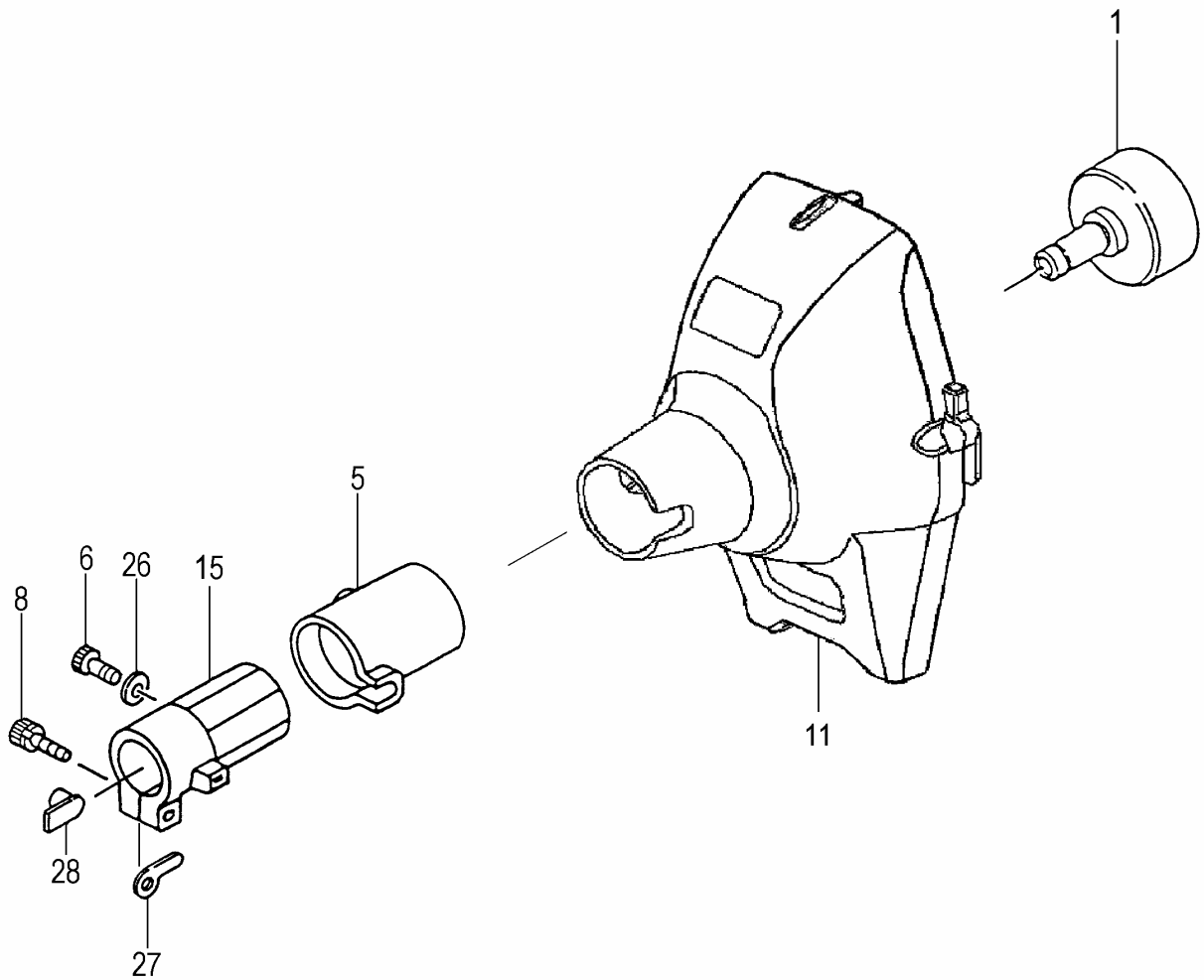


# S24-06 CARBURETOR



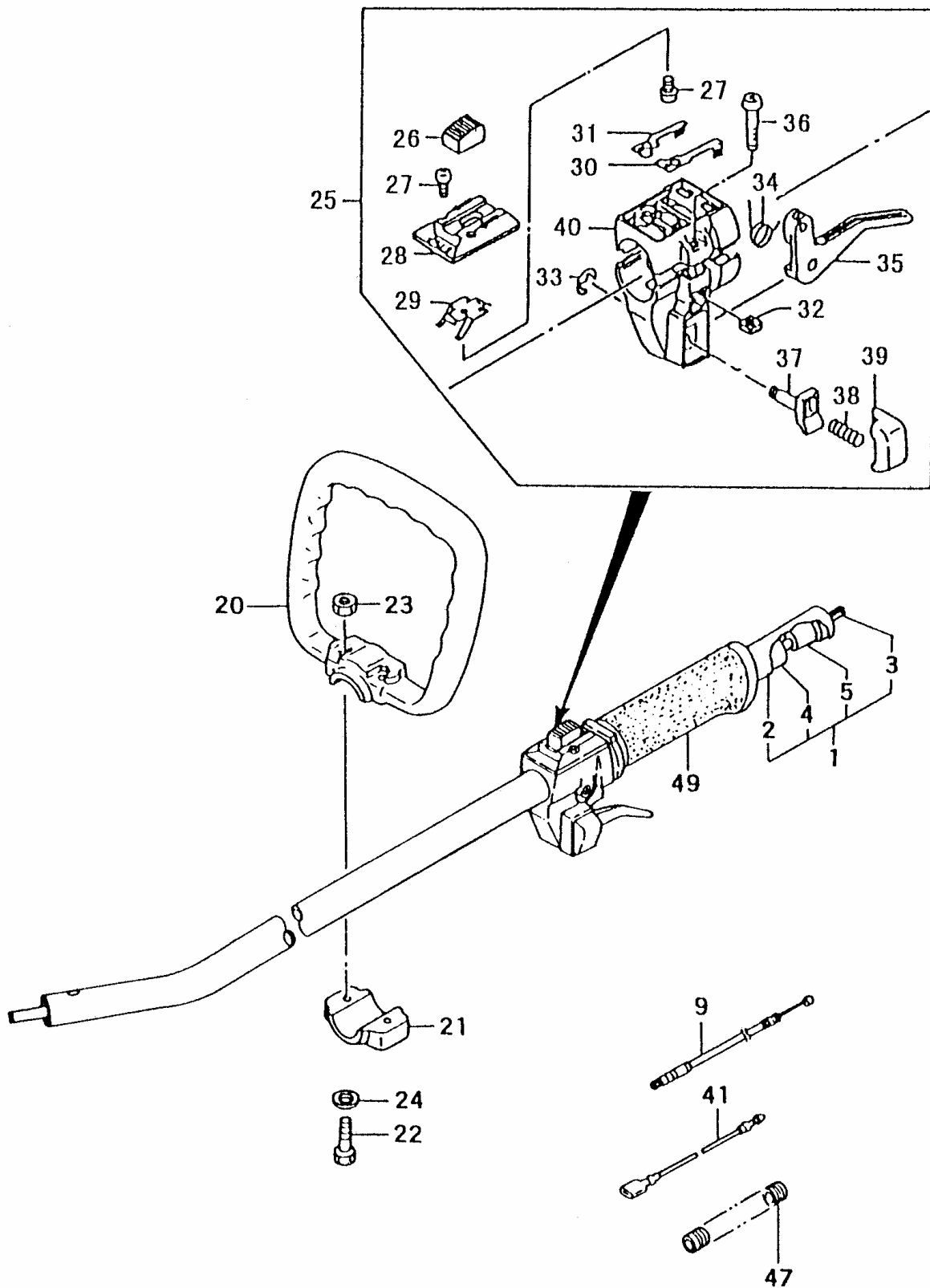
| REF. NUMBER              | PARTS NUMBER | DESCRIPTION              | Q'TY | SERIAL NUMBER |
|--------------------------|--------------|--------------------------|------|---------------|
| <b>S24-06 CARBURETOR</b> |              |                          |      |               |
| 002                      | 668-4879     | PUMP BODY COMP.          |      |               |
| 003                      | 668-4687     | PRIMING PUMP COMP.       | 1    |               |
| 004                      | 668-4688     | DIAPHRAGM COVER          | 1    |               |
| 005                      | 668-4689     | PRIMING BODY             | 1    |               |
| 006                      | 669-0830     | METERING DIAPHRAGM COMP. | 1    |               |
| 007                      | 668-4691     | DIAPHRAGM GASKET         | 1    |               |
| 008                      | 668-4693     | PUMP DIAPHRAGM           | 1    |               |
| 009                      | 669-1457     | PUMP GASKET              | 1    |               |
| 010                      | 669-1839     | ANTI-VIBE RUBBER         | 1    |               |
| 011                      | 668-4695     | O-RING                   | 1    |               |
| 012                      | 668-4696     | STOP RING                | 1    |               |
| 013                      | 668-4697     | SWIVEL                   | 1    |               |
| 015                      | 668-4870     | THROTTLE SET SCREW       | 2    |               |
| 016                      | 668-4873     | CABLE ADJUSTER STAY      | 1    |               |
| 017                      | 669-2005     | CABLE ADJUST NUT         | 1    |               |
| 018                      | 668-4871     | CABLE ADJUSTER           | 1    |               |
| 019                      | 669-0184     | CLEANER GASKET           | 1    |               |
| 020                      | 668-4699     | SET SCREW                | 4    |               |
| 021                      | 668-4874     | THRUST WASHER            | 1    |               |
| 201                      | 668-4700     | INLET SCREEN             | 1    |               |
|                          | 669-2189     | CARB. REPAIR KIT, K1-WYJ | 1    |               |

# S24-07 FANCASE



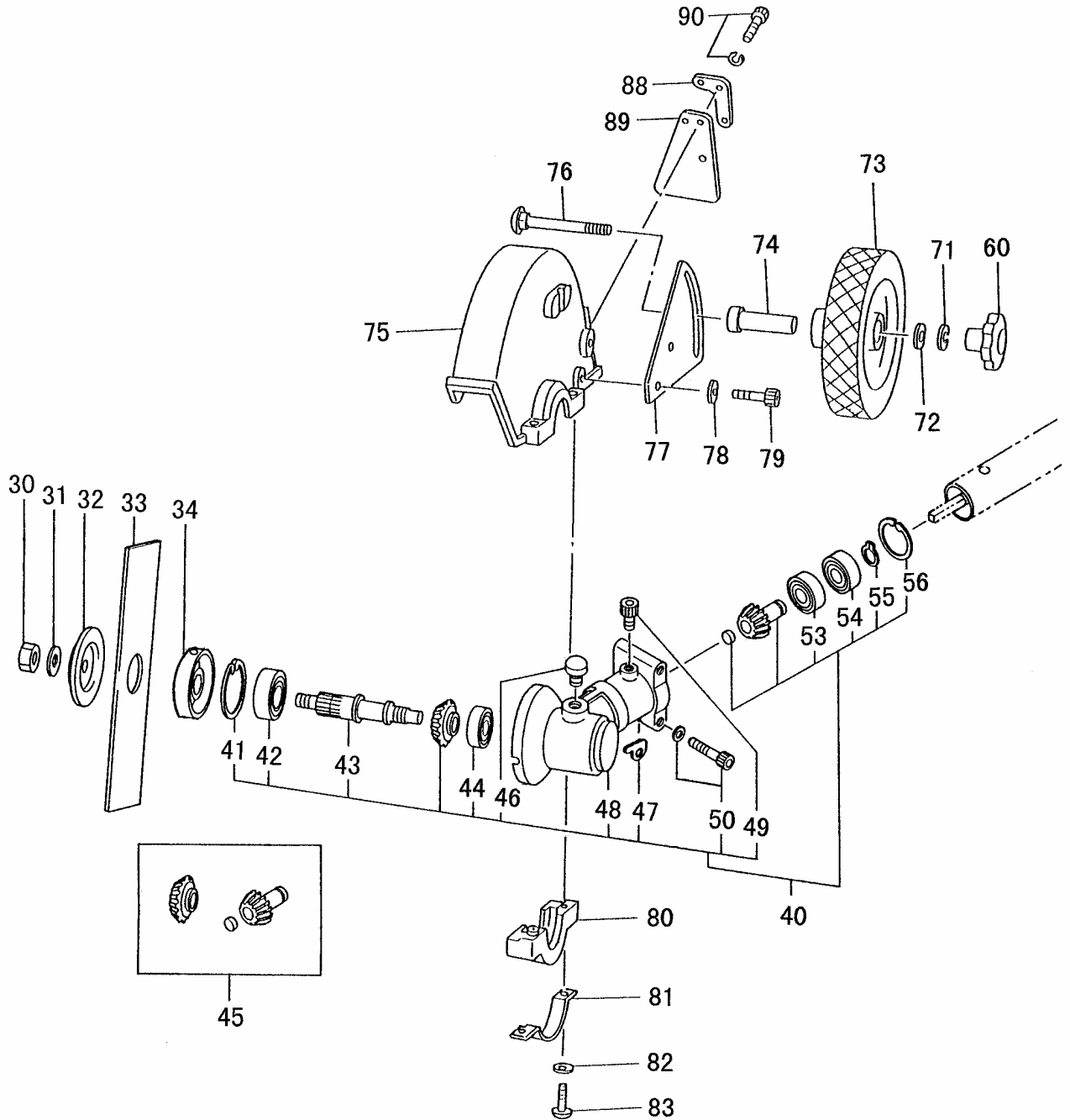
| REF. NUMBER           | PARTS NUMBER | DESCRIPTION         | Q'TY | SERIAL NUMBER |
|-----------------------|--------------|---------------------|------|---------------|
| <b>S24-07 FANCASE</b> |              |                     |      |               |
| 001                   | 668-8600     | CLUTCH SHAFT COMP.  | 1    |               |
| 005                   | 669-1823     | CUSHION RUBBER      | 1    |               |
| 006                   | 669-5046     | HEX. HOLE BOLT 5X16 | 1    |               |
| 008                   | 669-4845     | BATTERY CASE A      | 1    |               |
| 011                   | 668-6959     | FAN CASE COMP.      | 1    |               |
| 015                   | 668-9651     | PIPE HOLDER, TPE    | 1    |               |
| 026                   | 669-4845     | BATTERY CASE A      | 1    |               |
| 027                   | 668-9159     | GEAR CASE WASHER    | 1    |               |
| 028                   | 668-9664     | METAL FITTING       | 1    |               |

# S24-08 THROTTLE LEVER/HANDLE



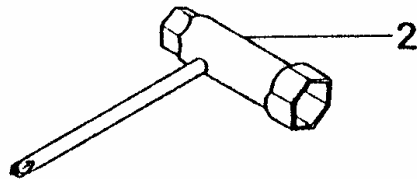
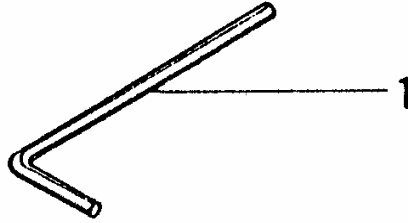
| REF. NUMBER                         | PARTS NUMBER | DESCRIPTION             | Q'TY | SERIAL NUMBER |
|-------------------------------------|--------------|-------------------------|------|---------------|
| <b>S24-08 THROTTLE LEVER/HANDLE</b> |              |                         |      |               |
| 001                                 | 668-9607     | DRIVE SHAFT PIPE SET    | 1    |               |
| 002                                 | 668-9359     | DRIVE SHAFT PIPE        | 1    |               |
| 003                                 | 668-9485     | FLEXIBLE SHAFT          | 1    |               |
| 004                                 | 668-9559     | FLEXIBLE LINNER         | 1    |               |
| 005                                 | 668-9146     | SPACER                  | 1    |               |
| 009                                 | 669-3963     | THROTTLE WIRE COMP., 4T | 1    |               |
| 020                                 | 669-1033     | HANDLE                  | 1    |               |
| 021                                 | 669-1125     | HANDLE BRACKET A        | 1    |               |
| 022                                 | 668-4795     | PLUS BOLT 6X40          | 2    |               |
| 023                                 | 669-4845     | BATTERY CASE A          | 2    |               |
| 024                                 | 669-4845     | BATTERY CASE A          | 2    |               |
| 025                                 | 669-3736     | THROTTLE LEVER ASS'Y    | 1    |               |
| 026                                 | 668-7515     | STOP SWITCH             | 1    |               |
| 027                                 | 669-4845     | BATTERY CASE A          | 3    |               |
| 028                                 | 668-8374     | STOP SWITCH BASE        | 1    |               |
| 029                                 | 668-8385     | STOP SWITCH SPRING      | 1    |               |
| 030                                 | 668-7805     | EARTH TERMINAL B        | 1    |               |
| 031                                 | 668-7801     | EARTH TERMINAL A        | 1    |               |
| 032                                 | 668-5000     | SPECIAL NUT M5          | 2    |               |
| 033                                 | 669-4845     | BATTERY CASE A          | 1    |               |
| 034                                 | 669-3601     | RETURN SPRING           | 1    |               |
| 035                                 | 669-3804     | THROTTLE ARM            | 1    |               |
| 036                                 | 669-4845     | BATTERY CASE A          | 2    |               |
| 037                                 | 669-3653     | LOCK BUTTON SHAFT       | 1    |               |
| 038                                 | 669-4834     | LOCK BUTTON SPRING      | 1    |               |
| 039                                 | 669-4829     | LOCK BUTTON             | 1    |               |
| 040                                 | 668-8378     | STOP BUTTON BODY B      | 1    |               |
| 041                                 | 668-7915     | STOP CORD, B430M        | 2    |               |
| 047                                 | 668-7563     | PROTECTION TUBE 10X190L | 1    |               |
| 049                                 | 669-1111     | SHAFT GRIP              | 1    |               |

# S24-09 GEAR CASE



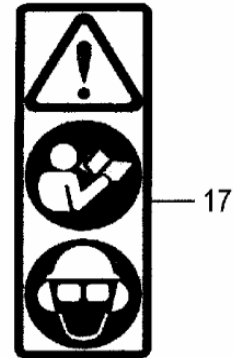
| REF. NUMBER             | PARTS NUMBER | DESCRIPTION                     | Q'TY | SERIAL NUMBER |
|-------------------------|--------------|---------------------------------|------|---------------|
| <b>S24-09 GEAR CASE</b> |              |                                 |      |               |
| 030                     | 669-4845     | BATTERY CASE A                  | 1    |               |
| 031                     | 669-4845     | BATTERY CASE A                  | 1    |               |
| 032                     | 668-9047     | CUTTER HOLDER CAP               | 1    |               |
| 033                     | 669-0193     | CUTTING BLADE,205MM             | 1    |               |
| 034                     | 668-9024     | CUTTER HOLDER                   | 1    |               |
| 040                     | 668-8746     | GEAR CASE ASS'Y, SILVER         | 1    |               |
| 041                     | 669-4845     | BATTERY CASE A                  | 1    |               |
| 042                     | 669-4845     | BATTERY CASE A                  | 1    |               |
| 043                     | 668-8934     | GEAR SHAFT                      | 1    |               |
| 044                     | 669-4845     | BATTERY CASE A                  | 1    |               |
| 045                     | 668-8870     | GEAR-PINION SET, SPARE          | 1    |               |
| 046                     | 669-4845     | BATTERY CASE A                  | 1    |               |
| 047                     | 668-9156     | GEAR CASE WASHER                | 1    |               |
| 048                     | 668-8745     | GEAR CASE                       | 1    |               |
| 049                     | 669-5042     | HEX. HOLE BOLT 5X10             | 1    |               |
| 050                     | 669-4845     | BATTERY CASE A                  | 1    |               |
| 053                     | 669-4845     | BATTERY CASE A                  | 1    |               |
| 054                     | 669-4845     | BATTERY CASE A                  | 1    |               |
| 055                     | 669-4845     | BATTERY CASE A                  | 1    |               |
| 056                     | 669-4845     | BATTERY CASE A                  | 1    |               |
| 060                     | 668-8099     | LOCK HANDLE KNOB COMP.          | 1    |               |
| 071                     | 669-4845     | BATTERY CASE A                  | 1    |               |
| 072                     | 669-4845     | BATTERY CASE A                  | 1    |               |
| 073                     | 668-7098     | WHEEL                           | 1    |               |
| 074                     | 668-6255     | COLLAR                          | 1    |               |
| 075                     | 669-0238     | BLADE GUARD                     | 1    |               |
| 076                     | 668-9085     | SPECIAL BOLT                    | 1    |               |
| 077                     | 669-0889     | WHEEL STAY                      | 1    |               |
| 078                     | 669-4845     | BATTERY CASE A                  | 2    |               |
| 079                     | 669-5079     | HEX HOLE BUTTON SCREW 6X15      | 2    |               |
| 080                     | 669-0302     | COVER BRACKET                   | 1    |               |
| 081                     | 669-0341     | BLADE GUARD HOLDER              | 1    |               |
| 082                     | 669-4845     | BATTERY CASE A                  | 2    |               |
| 083                     | 668-4825     | HEX. SOCKET HD. BOLT (W/BUTTON) | 2    |               |
| 088                     | 669-1018     | MUD FLAP HOLDER                 | 1    |               |
| 089                     | 669-1047     | MUD FLAP                        | 1    |               |
| 090                     | 669-4845     | BATTERY CASE A                  | 3    |               |

# S24-10 TOOLS



| REF. NUMBER         | PARTS NUMBER | DESCRIPTION                  | Q'TY | SERIAL NUMBER |
|---------------------|--------------|------------------------------|------|---------------|
| <b>S24-10 TOOLS</b> |              |                              |      |               |
| 001                 | 668-4813     | HEX. BAR WRENCH 4MM          | 1    |               |
| 002                 | 668-4979     | COMBI BOX SPANNER 13X19 PLUS | 1    |               |

# S24-11 LABELS



| REF. NUMBER          | PARTS NUMBER | DESCRIPTION   | Q'TY | SERIAL NUMBER |
|----------------------|--------------|---------------|------|---------------|
| <b>S24-11 LABELS</b> |              |               |      |               |
| 001                  | N/A          | Not Available | 1    |               |
| 002                  | N/A          | Not Available | 1    |               |
| 003                  | N/A          | Not Available | 1    |               |
| 004                  | N/A          | Not Available | 1    |               |
| 006                  | N/A          | Not Available | 1    |               |
| 007                  | N/A          | Not Available | 1    |               |
| 016                  | N/A          | Not Available | 1    |               |
| 017                  | N/A          | Not Available | 1    |               |