

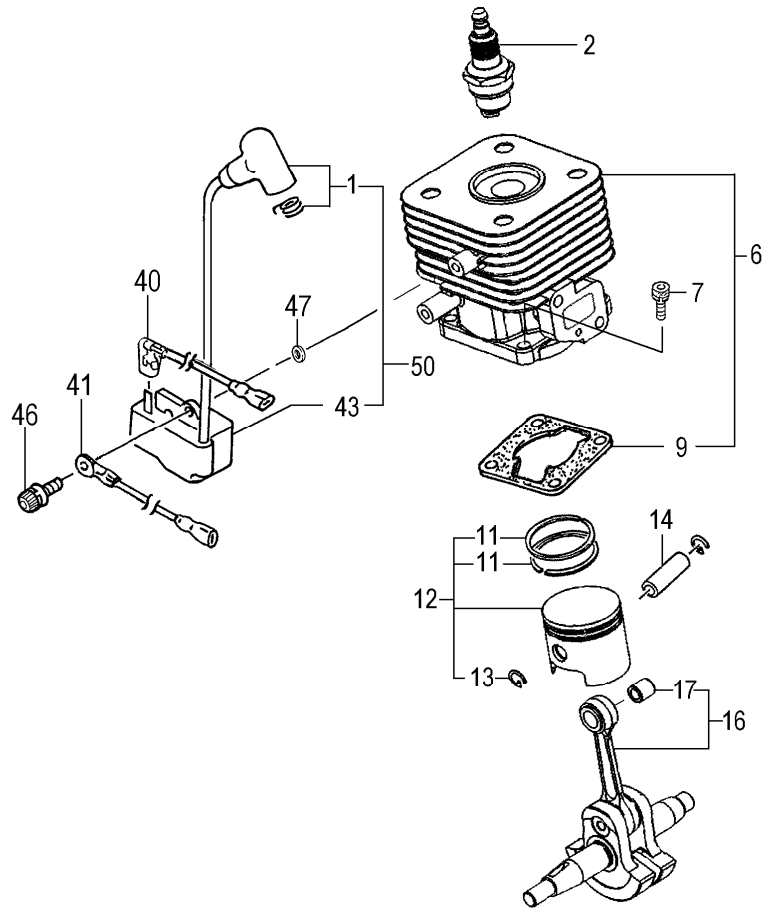
**S16**

***Tanaka***

**TPE-260PF**

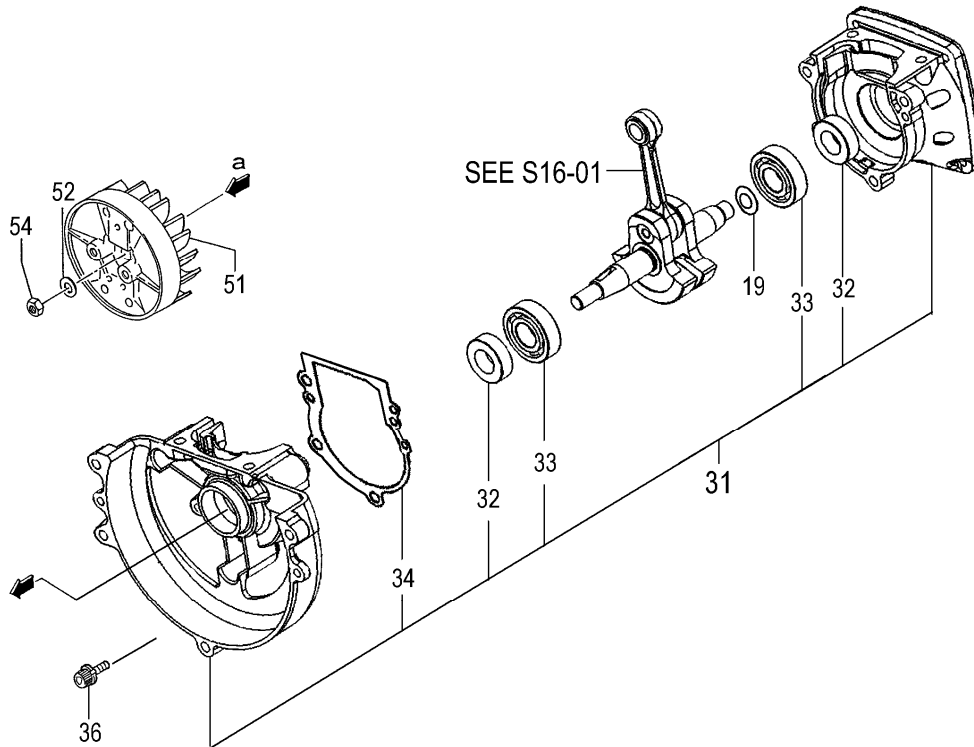
**Serial No. ;**

# S16-01 CYLINDER/PISTON/CRANK SHAFT



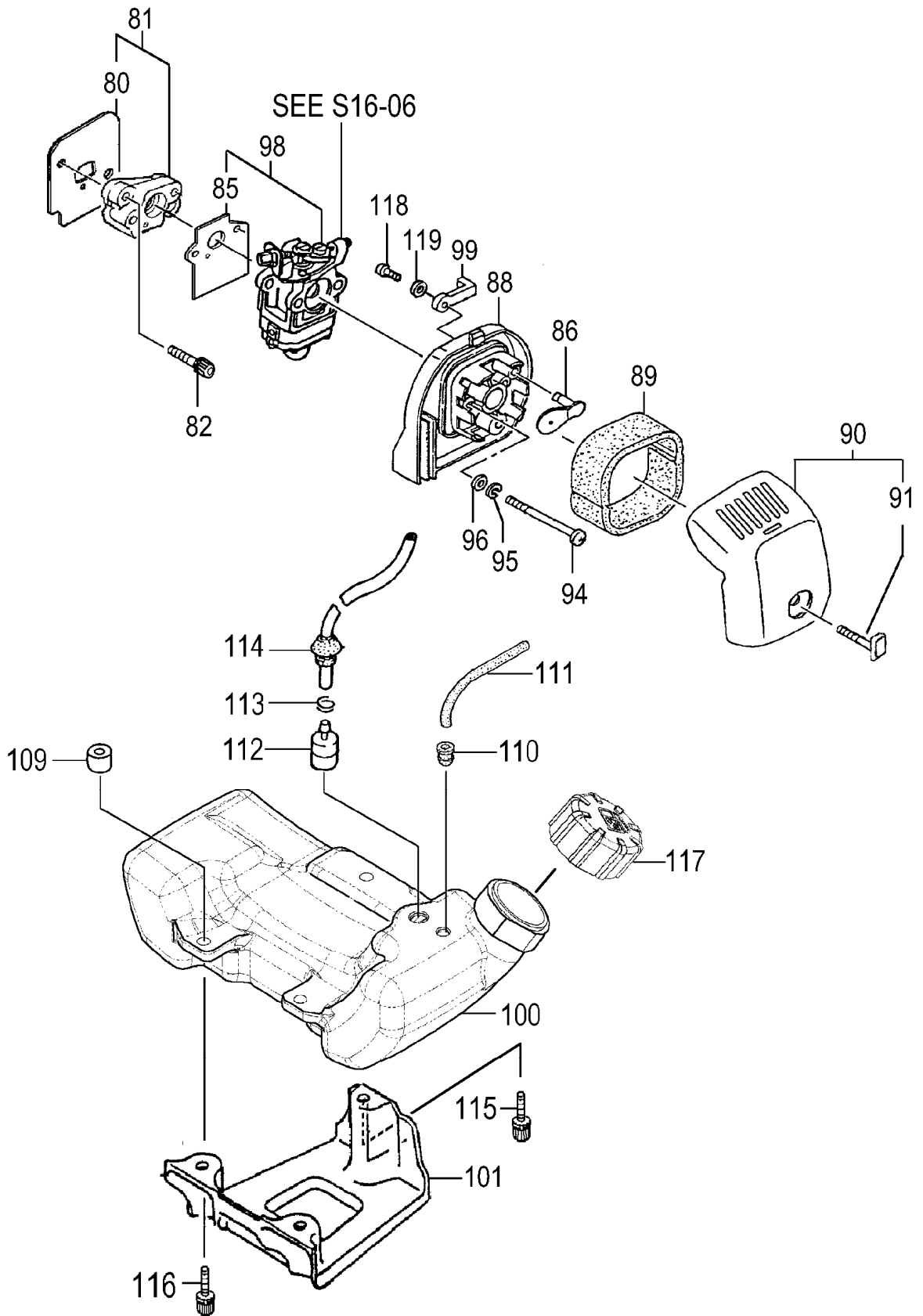
REF. NUMBER	PARTS NUMBER	DESCRIPTION	Q'TY	SERIAL NUMBER
<b>S16-01 CYLINDER/PISTON/CRANK SHAFT</b>				
001	668-4894	PLUG CAP ASS'Y	1	
002	668-5052	SPARK PLUG CJ6	1	
006	668-4897	CYLINDER SET	1	
007	668-4586	HEX.HOLE BOLT M5X18/S	4	
009	668-4896	CYLINDER GASKET	1	
011	668-4588	PISTON RING	2	
012	668-4898	PISTON SET	1	
013	668-4590	PISTON PIN CIRCLIP	2	
014	668-4591	PISTON PIN	1	
016	668-6219	CRANK SHAFT COMP.	1	
017	669-5589	NEEDLE BRG F-810 1.4X8.5	1	
040	668-7836	STOP CORD B 190M	1	
041	668-8443	EARTH CORD B 165M	1	
043	668-7683	IGNITION COIL COMP.	1	
046	668-4599	HEX.HOLE BOLT M4X18/WS	2	
047	668-4600	WASHER	2	
050	668-7684	IGNITION COIL ASSY	1	

# S16-02 CRANK CASE



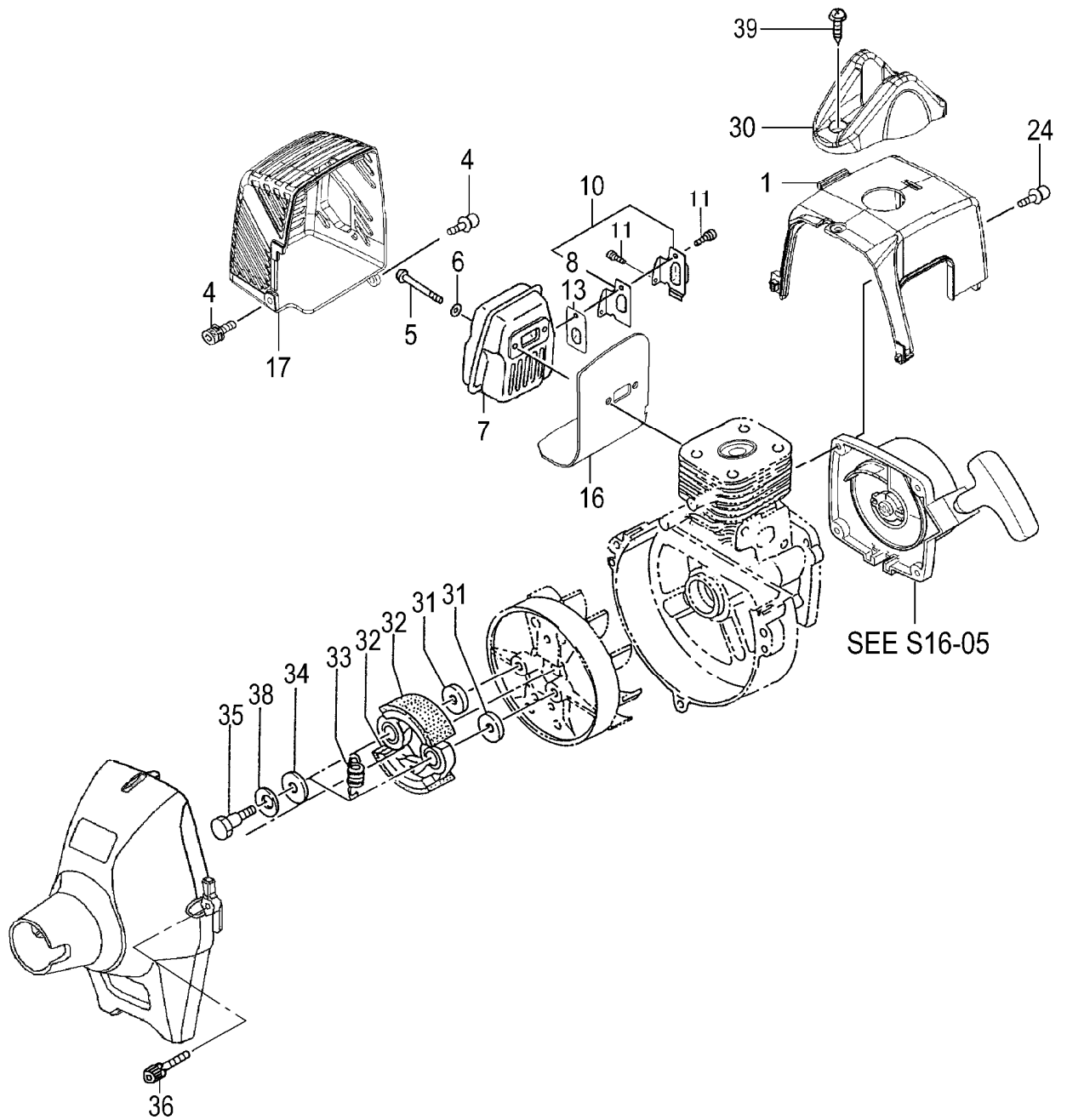
REF. NUMBER	PARTS NUMBER	DESCRIPTION	Q'TY	SERIAL NUMBER
<b>S16-02 CRANK CASE</b>				
019	668-4604	GEAR SHAFT SHIM 0.20	V	
019	668-4605	GEAR SHAFT SHIM 0.30	V	
031	668-6533	CRANK CASE ASS'Y	1	
032	668-4607	OIL SEAL TB 12227	2	
033	669-5535	BALL BEARING 6001 C3	2	
034	668-4904	CRANK CASE GASKET	1	
036	668-4903	HEX.HOLE BOLT M5X16/S	4	
051	668-7384	MAGNETO ROTOR COMP.	1	
052	668-4611	WASHER M8	1	
054	668-4612	HEX.NUT M8	1	

# S16-03 ENGINE-1



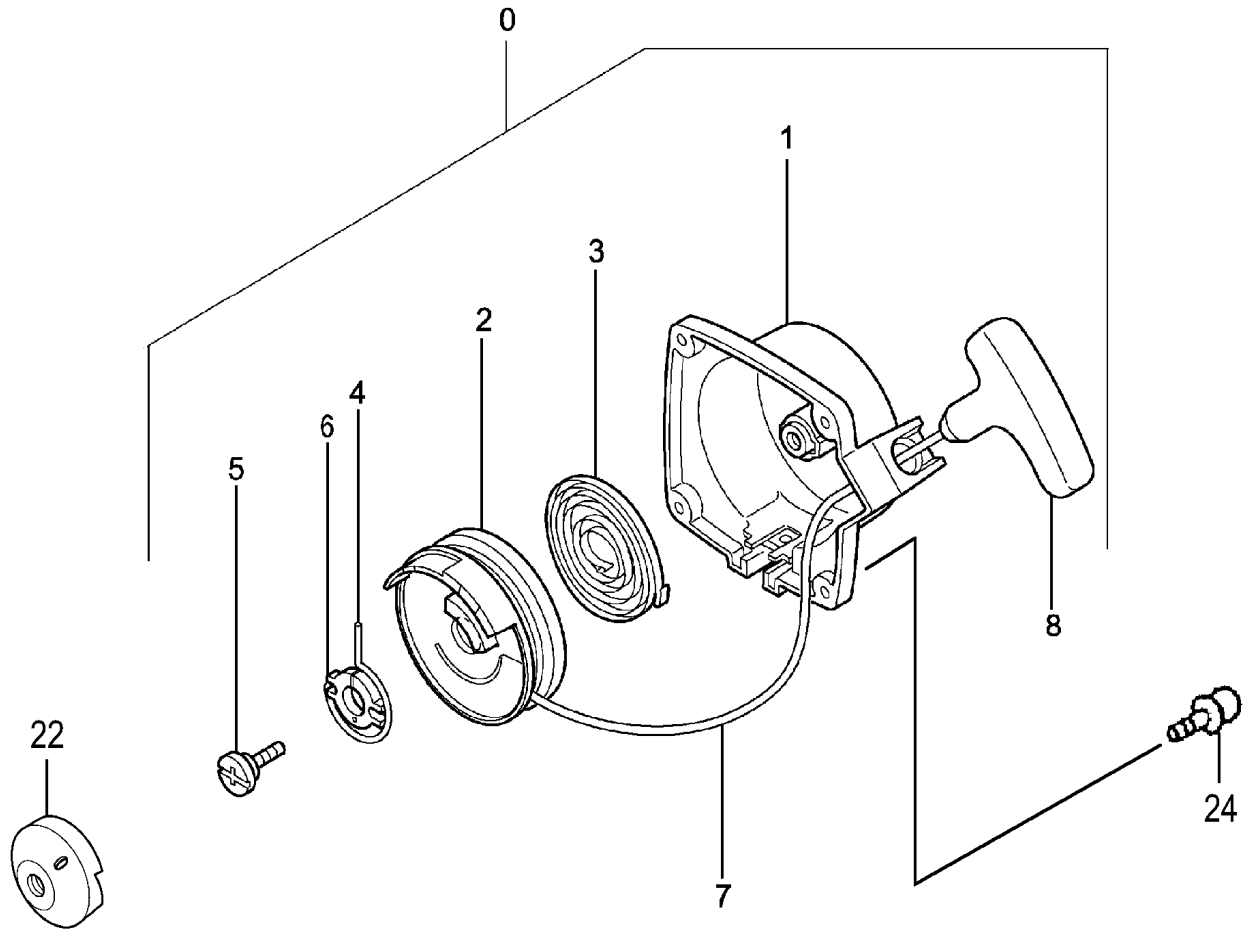
REF. NUMBER	PARTS NUMBER	DESCRIPTION	Q'TY	SERIAL NUMBER
<b>S16-03</b>	<b>ENGINE-1</b>			
080	668-9895	INLET MANIFOLD GASKET	1	
081	668-9972	INSULATOR SET	1	
082	668-4617	HEX. HOLE BOLT 5X25/WS	2	
085	668-4616	CARBURETOR GASKET	1	
086	669-1276	CHOKE PLATE 2.0	1	
088	669-0120	CLEANER BODY COMP.	1	
089	669-0365	CLEANER SPONGE	1	
090	669-0402	CLEANER COVER ASS'Y	1	
091	669-0384	COVER FIXING BOLT	1	
094	669-4914	SCREW 5X55	2	
095	668-4662	S.WASHER 5	2	
096	668-4864	SMALL WASHER 5	2	
098	669-0465	CARBURETOR SET WYJ318	1	
099	669-1239	CHOKE CONTROL LEVER	1	
100	669-1601	TANK (WHT)	1	- D001700
100	669-1605	TANK(EVAPO)	1	D001701 -
101	669-4787	STAND	1	
109	668-4623	COLLAR C	3	
110	668-4627	RETURN GROMMET	1	
111	668-4626	FUEL PIPE 3X5X65	1	
112	668-4620	PUMP FILTER BODY COMP.	1	
113	668-4619	CLIP,6.3 DIA.	1	
114	668-4618	FUEL PIPE ASS'Y	1	
115	668-4617	HEX. HOLE BOLT 5X25/WS	1	
116	668-4634	HEX.HOLE BOLT 5X20/PS	2	
117	669-1748	TANK CAP D ASS'Y	1	
118	669-5112	TAPPING SCREW 4X15	1	
119	668-5070	BOLT WASHER M4	1	

# S16-04 ENGINE-2



REF. NUMBER	PARTS NUMBER	DESCRIPTION	Q'TY	SERIAL NUMBER
<b>S16-04</b>	<b>ENGINE-2</b>			
001	668-5693	CYLINDER COVER (BLK)	1	
004	669-5504	HEX.HOLE BOLT 5X16/PS	2	
005	669-5067	HEX.HOLE BOLT 6X65	2	
006	668-4639	WASHER 6	2	
007	669-2576	MUFFLER COMP.	1	
008	669-2888	TAIL PIPE GASKET	1	
010	669-2715	TAIL PIPE SET	1	
011	668-4651	SCREW M4X8/WS	2	
013	669-2701	SPARK ARRESTER	1	
016	668-7265	HEAT SHIELD	1	
017	669-2818	MUFFLER PROTECTOR BLK	1	
024	669-5508	HEX. HOLE BOLT 4X18WS	2	
030	668-8344	PLUG COVER	1	
031	668-4642	CLUTCH WASHER B	2	
032	668-4643	CLUTCH SHOE COMP.	2	
033	668-4644	CLUTCH SPRING	1	
034	668-4645	CLUTCH PLATE A 0.5	2	
035	668-4646	STEP BOLT	2	
036	668-4634	HEX.HOLE BOLT 5X20/PS	3	
038	668-4648	BENT WASHER 8	2	
039	668-4636	TAPPING SCREW D4.5X16	1	

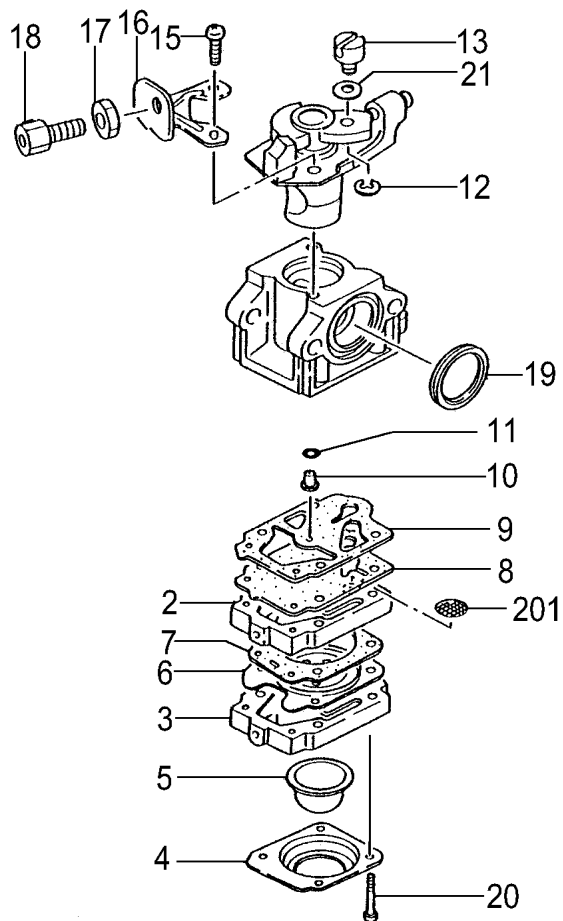
# S16-05 RECOIL STARTER



REF. NUMBER	PARTS NUMBER	DESCRIPTION	Q'TY	SERIAL NUMBER
<b>S16-05 RECOIL STARTER</b>				
000	668-4938	RECOIL STARTER BODY ASS'Y	1	
001	668-4944	RECOIL STARTER BODY COMP.	1	
002	668-4941	STARTER ROPE REEL	1	
003	668-4942	RECOIL SPRING	1	
004	668-4940	SWING ARM	1	
005	668-4679	SET SCREW	1	
006	668-4939	PULLEY STAY	1	
007	668-4943	ROPE 3.0X800	1	
008	668-4680	STARTER HANDLE	1	
022	668-4937	STARTER PULLEY	1	
024	669-5508	HEX. HOLE BOLT 4X18WS	2	

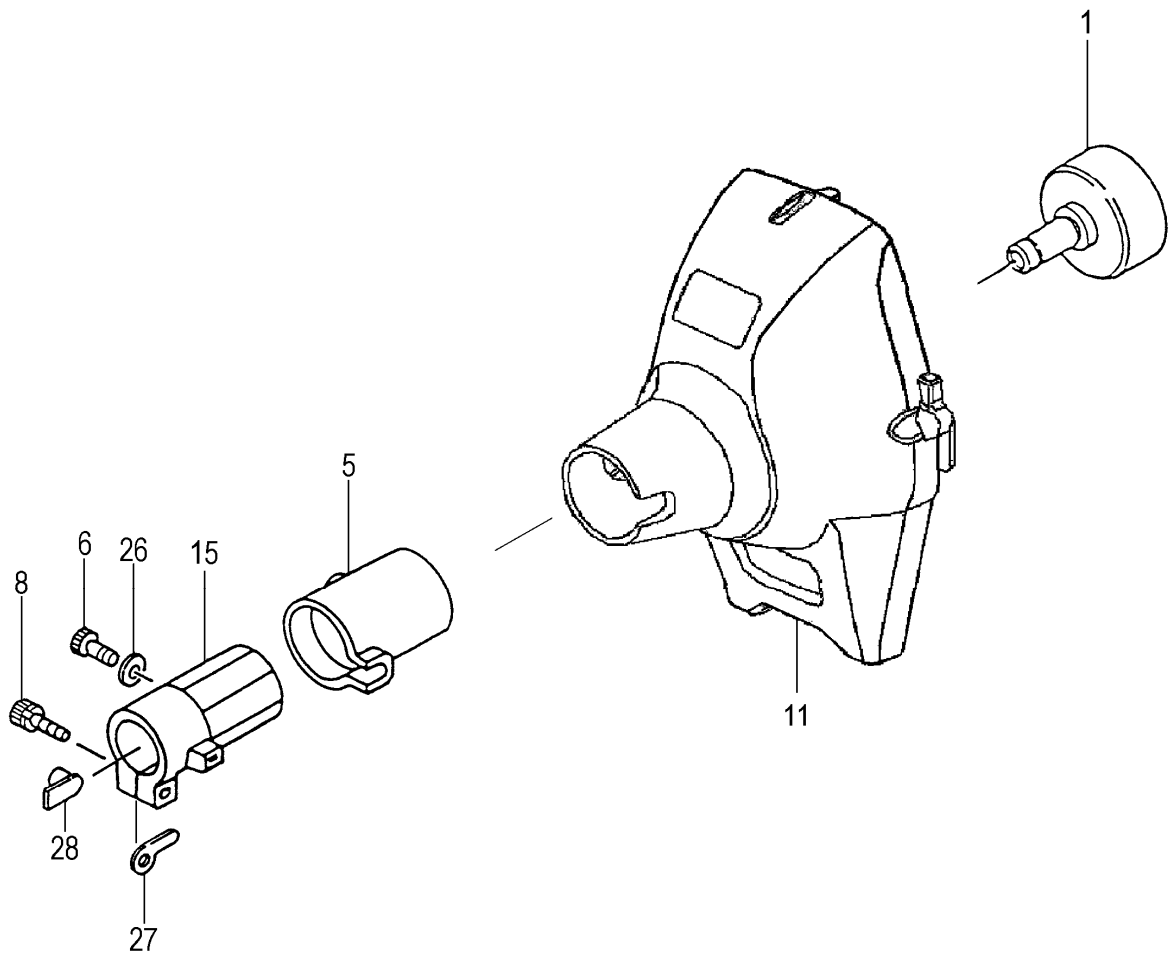


# S16-06 CARBURETOR



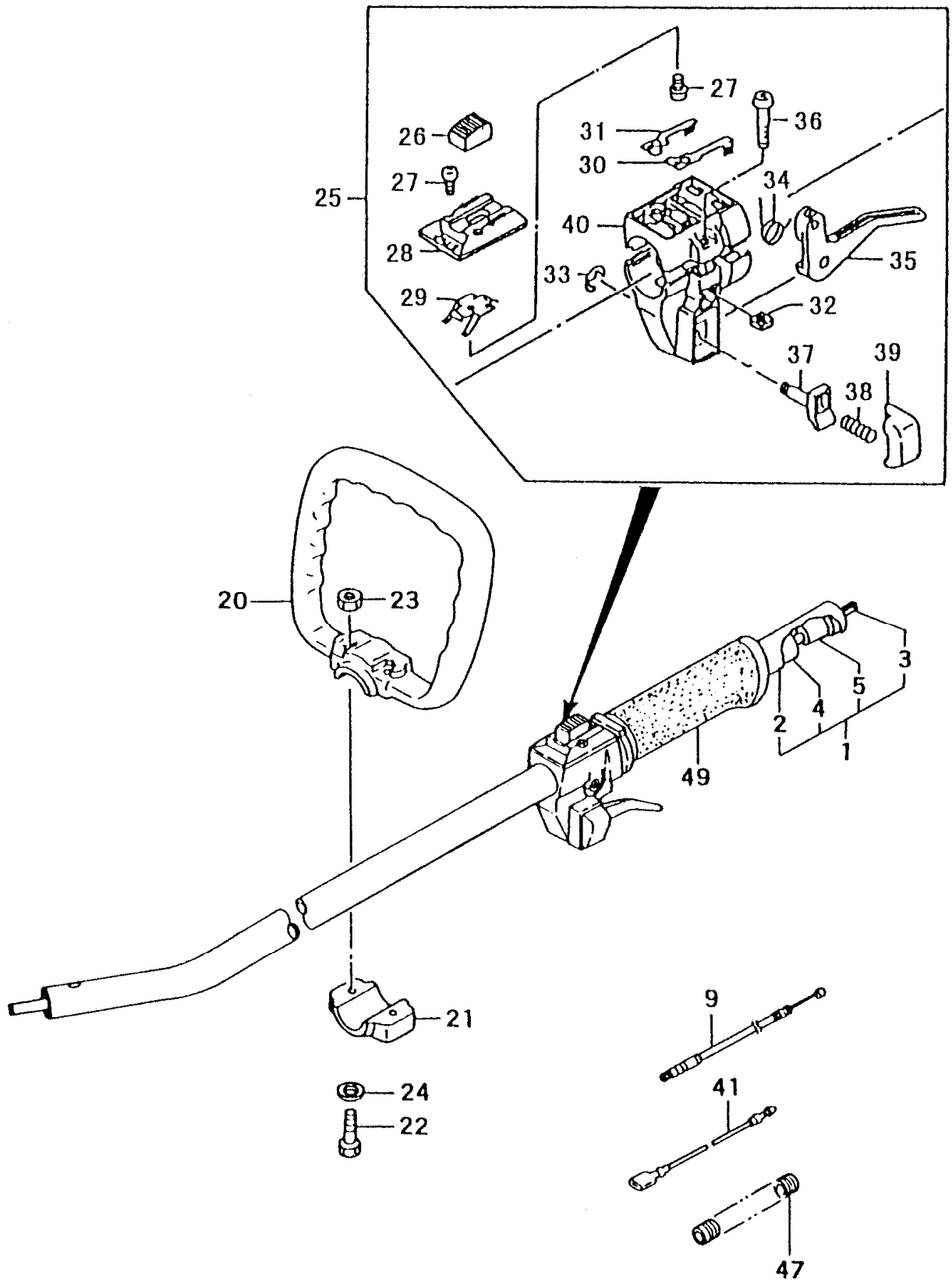
REF. NUMBER	PARTS NUMBER	DESCRIPTION	Q'TY	SERIAL NUMBER
<b>S16-06 CARBURETOR</b>				
002	668-4879	PUMP BODY COMP.	1	
003	668-4687	PRIMING PUMP COMP.	1	
004	668-4688	DIAPHRAGM COVER	1	
005	668-4689	PRIMING BODY	1	
006	669-0830	METERING DIAPHRAGM COMP.	1	
007	668-4691	DIAPHRAGM GASKET	1	
008	668-4693	PUMP DIAPHRAGM	1	
009	669-1457	PUMP GASKET	1	
010	669-1874	LONG MAIN JET #38	1	
011	668-4695	O-RING	1	
012	668-4696	STOP RING	1	
013	668-4697	SWIVEL	1	
015	668-4870	THROTTLE SET SCREW	2	
016	668-4873	CABLE ADJUSTER STAY	1	
017	669-2005	CABLE ADJUST NUT	1	
018	668-4871	CABLE ADJUSTER	1	
019	668-4875	CLEANER PACKING	1	
020	668-4699	SET SCREW	4	
021	668-4874	THRUST WASHER	1	
201	668-4700	INLET SCREEN	1	
	669-2190	CARB.REPAIR KIT,K20WYJ	1	
	669-2199	REPAIR KIT DIAPHRAGM,,D20WY	1	

# S16-07 FANCASE



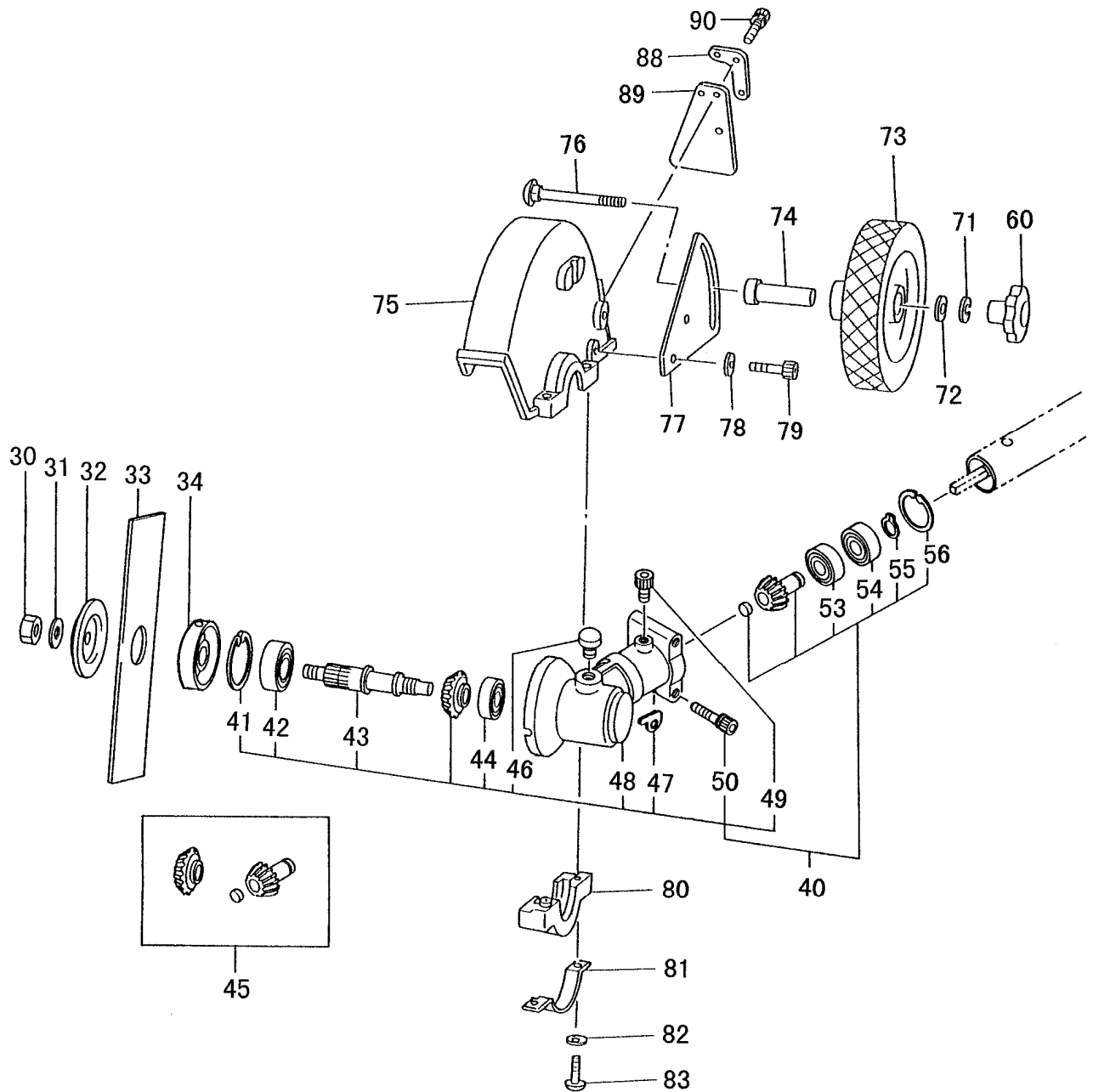
REF. NUMBER	PARTS NUMBER	DESCRIPTION	Q'TY	SERIAL NUMBER
<b>S16-07 FANCASE</b>				
001	668-8605	CLUTCH SHAFT	1	
005	669-1823	CUSHION RUBBER	1	
006	669-5046	HEX. HOLE BOLT 5X16	1	
008	668-4709	HEX.HOLE BOLT M5X25/S	1	
011	668-6959	FAN CASE COMP.	1	
015	668-9651	PIPE HOLDER, TPE	1	
026	668-4918	WASHER M5	1	
027	668-9159	GEAR CASE WASHER	1	
028	668-9664	METAL FITTING	1	

# S16-08 OPERATION PIPE/LEVER



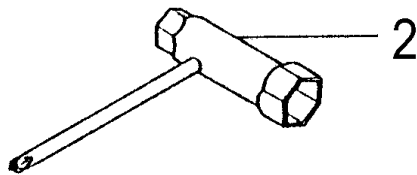
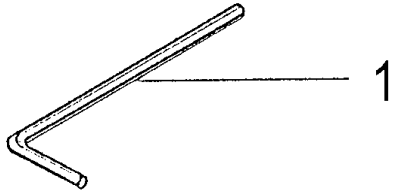
REF. NUMBER	PARTS NUMBER	DESCRIPTION	Q'TY	SERIAL NUMBER
<b>S16-08 OPERATION PIPE/LEVER</b>				
001	668-9607	DRIVE SHAFT PIPE SET	1	
002	668-9359	DRIVE SHAFT PIPE	1	
003	668-9485	FLEXIBLE SHAFT	1	
004	668-9559	FLEXIBLE LINNER	1	
005	668-9146	SPACER	1	
009	669-3963	THROTTLE WIRE COMP., 4T	1	
020	669-1033	HANDLE	1	
021	669-1125	HANDLE BRACKET A	1	
022	668-4795	PLUS BOLT 6X40	2	
023	668-4792	NUT M6	2	
024	668-4639	WASHER 6	2	
025	669-3736	THROTTLE LEVER ASS'Y	1	
026	668-7515	STOP SWITCH	1	
027	669-5274	TAPPING SCREW 3X8	3	
028	668-8374	STOP SWITCH BASE	1	
029	668-8385	STOP SWITCH SPRING	1	
030	668-7805	EARTH TERMINAL B	1	
031	668-7801	EARTH TERMINAL A	1	
032	668-5000	SPECIAL NUT M5	2	
033	669-5311	STOP RING E-6	1	
034	669-3601	RETURN SPRING	1	
035	669-3804	THROTTLE ARM	1	
036	669-5453	SCREW 5X20	2	
037	669-3653	LOCK BUTTON SHAFT	1	
038	669-4834	LOCK BUTTON SPRING	1	
039	669-4829	LOCK BUTTON	1	
040	668-8378	STOP BUTTON BODY B	1	
041	668-7915	STOP CORD, B430M	2	
047	668-7563	PROTECTION TUBE 10X190L	1	
049	669-1111	SHAFT GRIP	1	

# S16-09 GEAR CASE/GUARD



REF. NUMBER	PARTS NUMBER	DESCRIPTION	Q'TY	SERIAL NUMBER
<b>S16-09 GEAR CASE/GUARD</b>				
030	669-5133	NUT 8/L.H.THREAD	1	
031	668-4611	WASHER M8	1	
032	668-9047	CUTTER HOLDER CAP	1	
033	669-0193	CUTTING BLADE,205MM	1	
034	668-9024	CUTTER HOLDER	1	
040	668-8746	GEAR CASE ASS'Y, SILVER	1	
041	669-5295	STOP RING C-32, INNER	1	
042	669-5554	BALL BEARING 6201D, 32MM/OD	1	
043	668-8934	GEAR SHAFT	1	
044	669-5569	BALL BEARING 628 ST	1	
045	668-8870	GEAR-PINION SET, SPARE	1	
046	669-5437	PLUS HEAD BOLT 8X10	1	
047	668-9156	GEAR CASE WASHER	1	
048	668-8745	GEAR CASE	1	
049	669-5042	HEX. HOLE BOLT 5X10	1	
050	668-4709	HEX.HOLE BOLT M5X25/S	1	
053	668-4734	BALL BEARING 609	1	
054	668-4735	BALL BEARING 609Z ST	1	
055	669-5281	STOP RING C-9, OUTER	1	
056	668-4732	STOP RING C-24,INNER	1	
060	668-8099	LOCK HANDLE KNOB COMP.	1	
071	668-4971	S.WASHER 8	1	
072	668-4611	WASHER M8	1	
073	668-7098	WHEEL	1	
074	668-6255	COLLAR	1	
075	669-0238	BLADE GUARD	1	
076	668-9085	SPECIAL BOLT	1	
077	669-0889	WHEEL STAY	1	
078	668-4826	S.WASHER 6	2	
079	669-5079	HEX HOLE BUTTON SCREW 6X15	2	
080	669-0302	COVER BRACKET	1	
081	669-0341	BLADE GUARD HOLDER	1	
082	668-4826	S.WASHER 6	2	
083	668-4825	HEX. SOCKET HD. BOLT (W/BUTTON) M6	2	
088	669-1018	MUD FLAP HOLDER	1	
089	669-1047	MUD FLAP	1	
090	668-4667	HEX.HOLE BOLT M5X12/S	3	

# S16-10 TOOLS & NYLON HEAD



REF. NUMBER	PARTS NUMBER	DESCRIPTION	Q'TY	SERIAL NUMBER
<b>S16-10 TOOLS &amp; NYLON HEAD</b>				
001	668-4813	HEX. BAR WRENCH 4MM	1	
002	668-4979	COMBI BOX SPANNER 13X19 PLU	1	

# S16-11 LABELS



1



3



2



4

**DANGER** KEEP HANDS AND FEET AWAY

6



7



17



16

REF. NUMBER	PARTS NUMBER	DESCRIPTION	Q'TY	SERIAL NUMBER
<b>S16-11</b>	<b>LABELS</b>			
001	669-4243	NAME PLATE PURE-FIRE	1	
002	669-4689	SYMBOL MARK TPE260PF	1	
003	669-4465	TANAKA MARK	1	
004	668-4851	LEVEL MARK	1	
006	669-4539	CAUTION MARK	1	
007	669-4741	SYMBOL MARK	1	
016	669-4546	CAUTION MARK A	1	
017	669-4564	CAUTION MARK	1	