

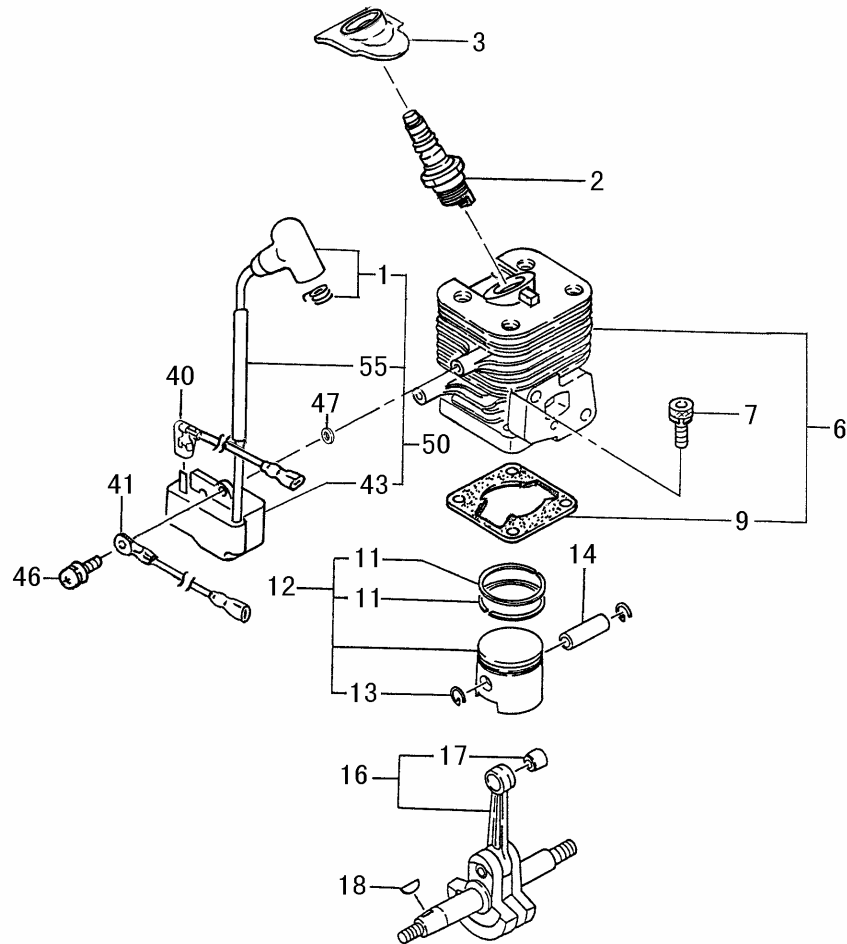
**S15**

***Tanaka***

**TPE-270PF/PN**

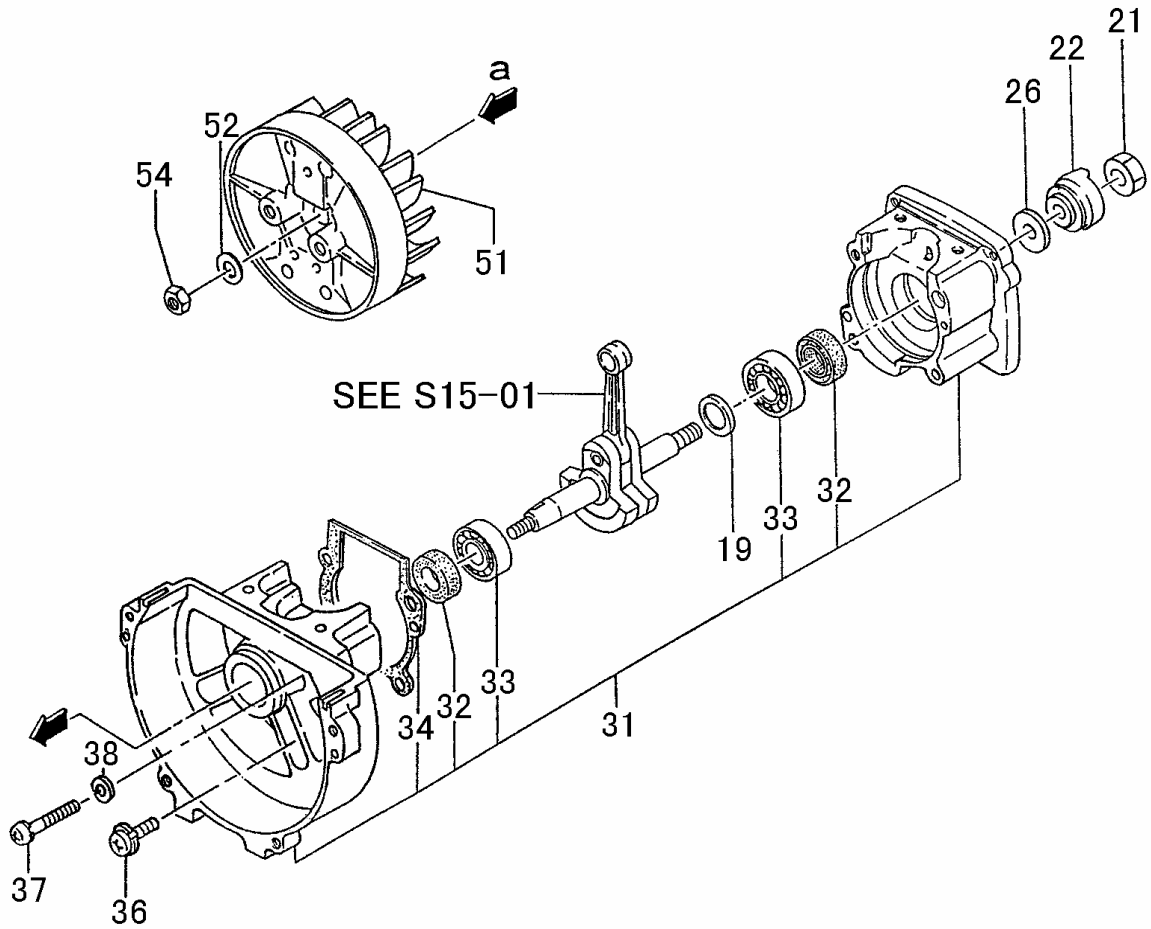
**Serial No .-C122800**

# S15-01 CYLINDER/PISTON/CRANK SHAFT



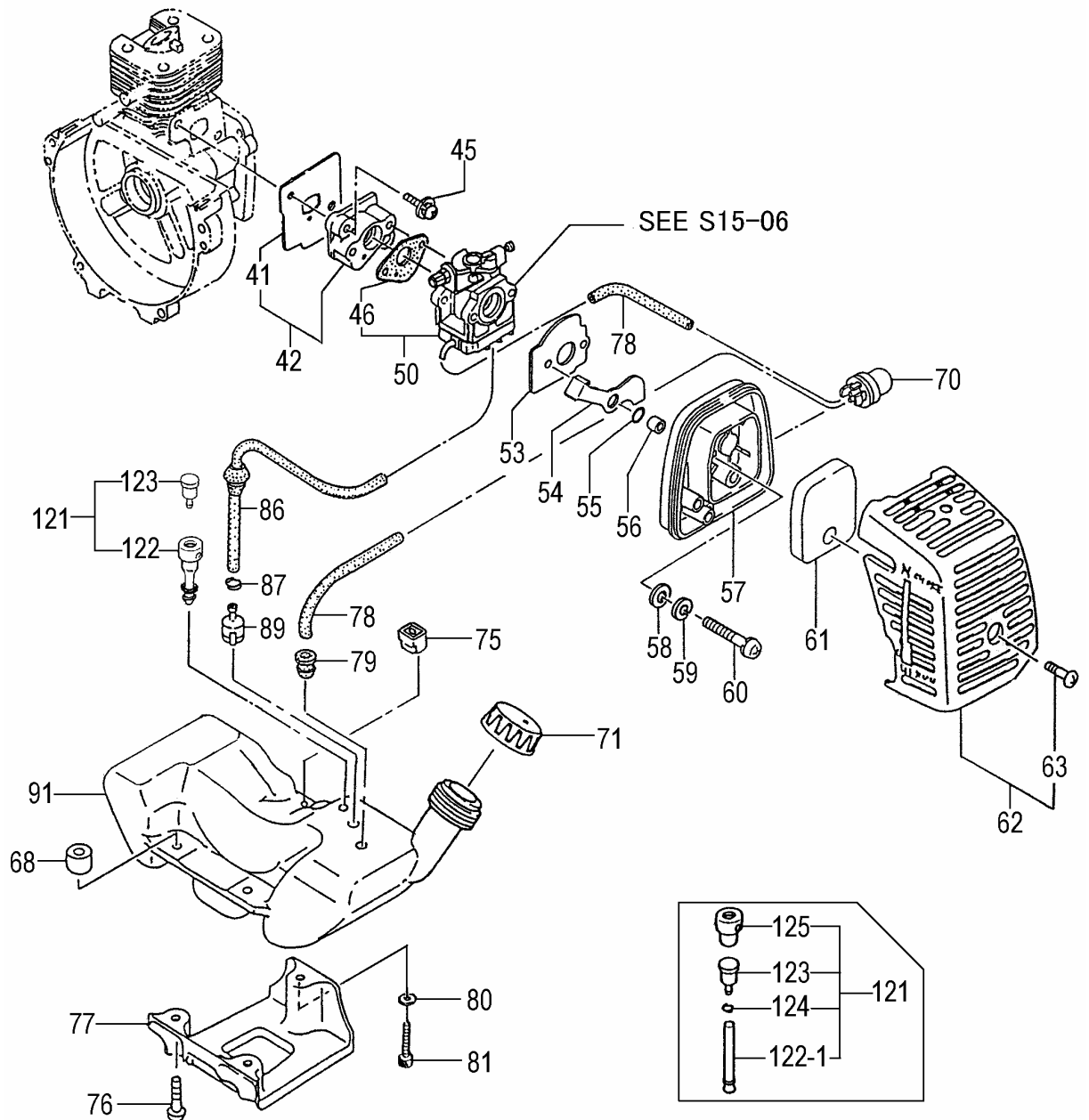
REF. NUMBER	PARTS NUMBER	DESCRIPTION	Q'TY	SERIAL NUMBER
<b>S15-01 CYLINDER/PISTON/CRANK SHAFT</b>				
001	668-4894	PLUG CAP	1	
002	668-5772	SPARK PLUG CJ6Y	1	
003	668-8334	SPARK PLUG RUBBER COVER	1	
006	668-5455	CYLINDER SET	1	
007	668-4586	HEX.HOLE BOLT M5X18/S	4	
009	668-5721	CYLINDER GASKET	1	
011	668-4588	PISTON RING	2	
012	668-5877	PISTON SET	1	
013	668-5078	CIRCLIP	2	
014	668-6011	PISTON PIN	1	
016	668-6168	CRANK SHAFT COMP.	1	
017	669-5592	NEEDLE BRG F-910 1.4X8.5	1	
018	668-4899	WOODRUFF KEY 3X13X4.5	1	
040	668-7836	STOP CORD B 190M	1	
041	668-8443	EARTH CORD B 165M	1	
043	668-7703	IGNITION COIL COMP.	1	
046	669-5407	HIGH TENSION SCREW 4X18WS	2	
047	668-4600	WASHER	2	
050	668-7704	IGNITION COIL ASS'Y	1	
055	668-8316	INSULATOR TUBE	1	

# S15-02 CRANK CASE



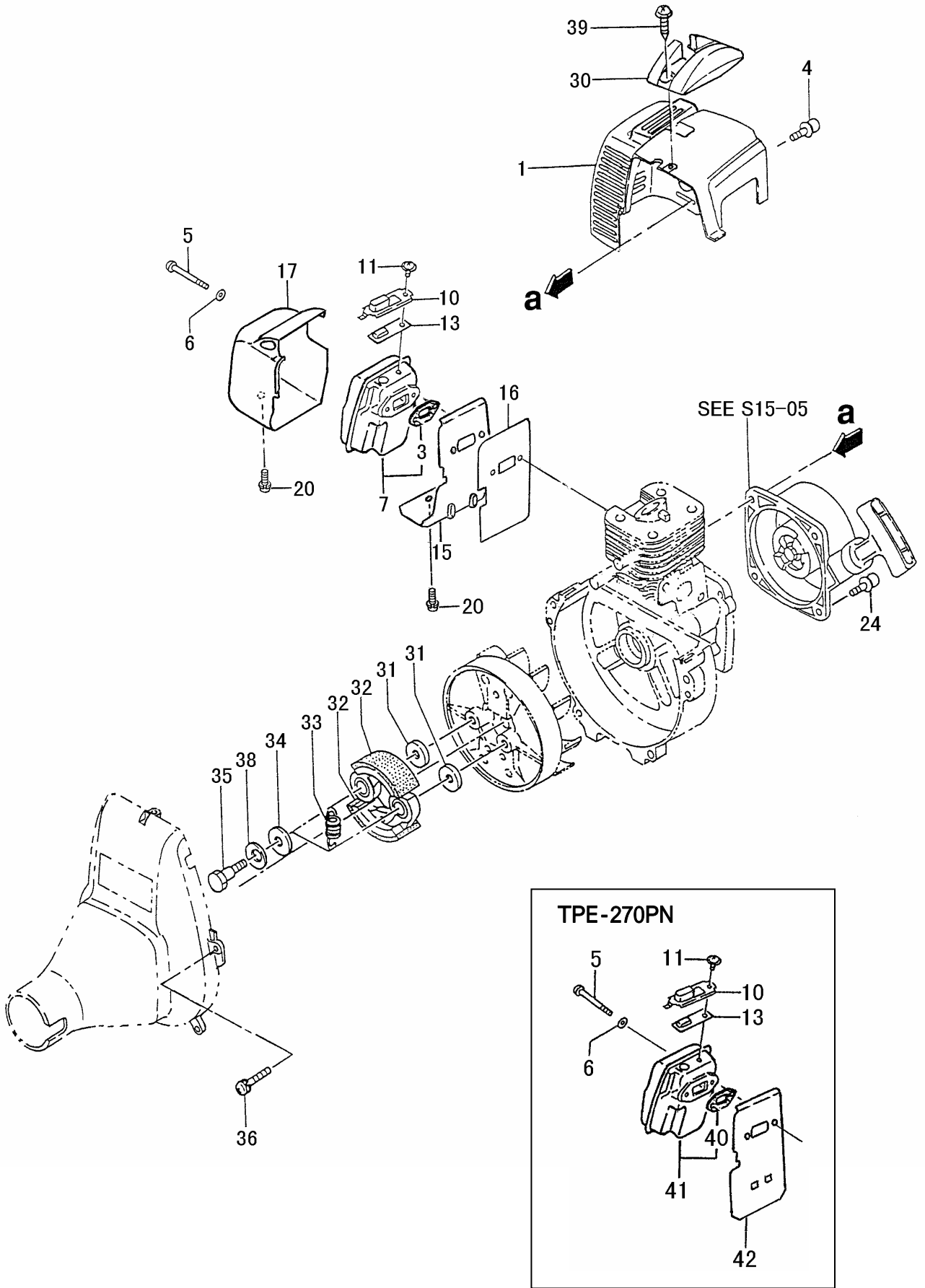
REF. NUMBER	PARTS NUMBER	DESCRIPTION	Q'TY	SERIAL NUMBER
<b>S15-02 CRANK CASE</b>				
019	668-9177	GEAR SHAFT SHIM 0.10	V	
019	668-9178	GEAR SHAFT SHIM 0.15	V	
019	668-4604	GEAR SHAFT SHIM 0.20	V	
019	668-4605	GEAR SHAFT SHIM 0.30	V	
021	668-4612	HEX.NUT M8	1	
022	669-3393	STARTER PULLEY	1	
026	668-9645	CLUTCH WASHER B	1	
031	668-6517	CRANK CASE ASS'Y	1	
032	668-4607	OIL SEAL TB 12227	2	
<b>033</b>	<b>669-5535</b>	<b>BALL BEARING 6001 C3</b>	<b>2</b>	
034	668-6695	CRANK CASE GASKET	1	
<b>036</b>	<b>668-4709</b>	<b>HEX.HOLE BOLT M5X25/S</b>	<b>2</b>	
<b>037</b>	<b>669-5054</b>	<b>HEX. HOLE BOLT 5X40</b>	<b>2</b>	
<b>038</b>	<b>668-4834</b>	<b>SPRING WASHER 5</b>	<b>2</b>	
051	668-7417	MAGNETO ROTOR COMP.	1	
052	669-5184	SMALL WASHER 8	1	
054	668-4612	HEX.NUT M8	1	

# S15-03 ENGINE-1



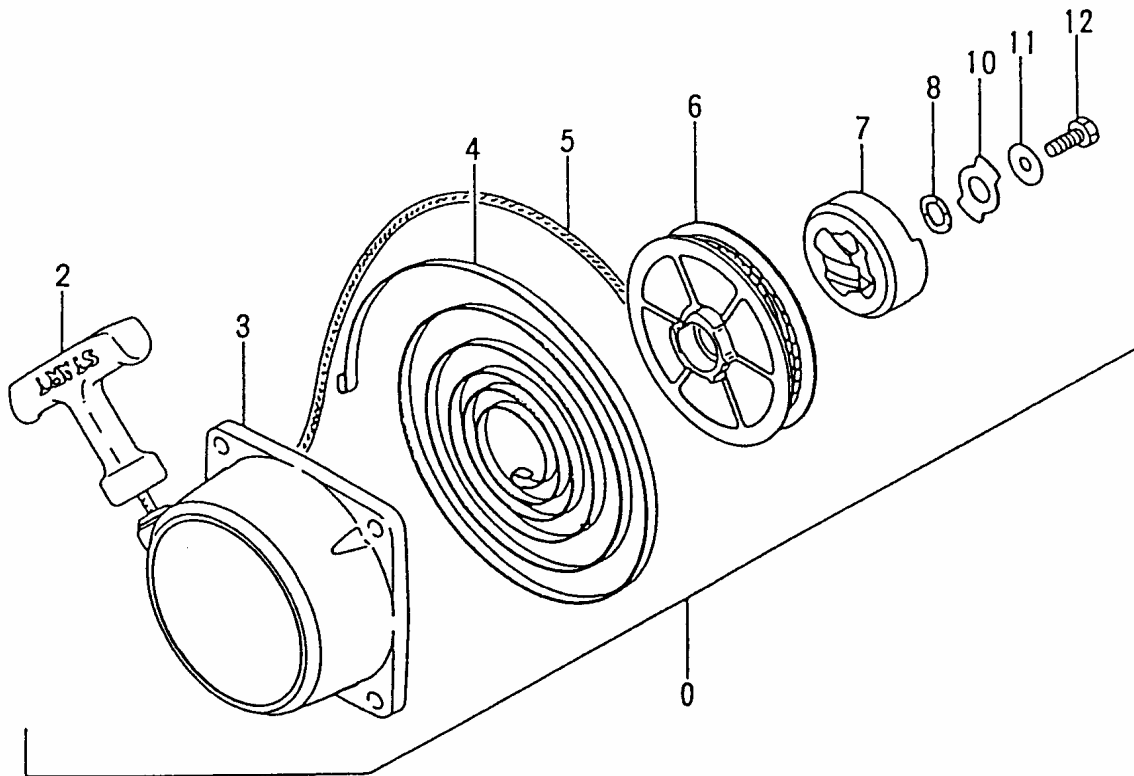
REF. NUMBER	PARTS NUMBER	DESCRIPTION	Q'TY	SERIAL NUMBER
<b>S15-03</b>	<b>ENGINE-1</b>			
041	668-9855	INTAKE MANIFOLD GASKET	1	
<b>042</b>	<b>668-9913</b>	<b>INSULATOR SET,SPARE</b>	<b>1</b>	
045	669-5423	SCREW 5X24WS	2	
046	668-4615	CARBURETOR GASKET	1	
050	669-0459	CARBURETOR SET, SPARE	1	
053	669-0197	CLEANER BASE	1	
054	669-1260	CHOKE VALVE 1.5	1	
055	669-5667	O-RING S-8	1	
056	669-0803	CLEANER COLLAR	1	
057	669-0117	CLEANER BODY COMP.	1	
058	668-4864	SMALL WASHER 5	2	
059	668-4662	S.WASHER 5	2	
060	668-4660	SCREW M5X60	2	
061	669-0362	CLEANER SPONGE	1	
062	669-0401	CLEANER COVER SET	1	
063	668-9737	SPECIAL SCREW	1	
068	668-4623	COLLAR C	3	
070	668-5139	PRIMING PUMP COMP.	1	
071	669-1746	TANK CAP ASS'Y	1	
075	669-2182	TANK FIXING COLLAR	1	
076	668-4634	HEX.HOLE BOLT 5X20/PS	2	
077	669-4785	ENGINE BED	1	
078	669-2347	FUEL PIPE 2.5X4X80	2	
079	668-4627	RETURN GROMMET	1	
080	668-4918	WASHER M5	1	
081	668-4786	HEX. SOCKET HD. BOLT M5X30 S	1	
086	668-8169	FUEL PIPE ASS'Y	1	
087	668-4619	CLIP,6.3 DIA.	1	
089	668-4620	PUMP FILTER BODY COMP.	1	
091	669-1509	FUEL TANK, VERMILION	1	
<b>121</b>	<b>669-1389</b>	<b>AIR VENT</b>	<b>1</b>	
122,1	668-9993	AIR VENT PIPE	1	- U279500
<b>122</b>	<b>669-1395</b>	<b>AIR VENT PIPE</b>	<b>1</b>	<b>U279501</b> -
123	669-2171	AIR VENT VALVE ASS'Y	1	
124	668-4619	CLIP,6.3 DIA.	1	- U297500
125	669-1369	AIR VENT RUBBER CAP	1	- U279500

# S15-04 ENGINE-2



REF. NUMBER	PARTS NUMBER	DESCRIPTION	Q'TY	SERIAL NUMBER
<b>S15-04</b>	<b>ENGINE-2</b>			
001	669-2771	MUFFLER PROTECTOR	1	
003	669-2733	MUFFLER GASKET	1	
004	669-5375	SCREW 4X18/PS	2	
005	669-5088	HEX. HOLE BUTTON SCREW 6X6	2	
006	668-4639	WASHER 6	2	
007	669-2440	MUFFLER SET	1	
010	669-2652	TAIL PIPE	1	
011	668-5109	MACHINE SCREW (W/SP. WASHER)	1	- V266477
<b>011</b>	<b>669-5471</b>	<b>SCREW 4X8PS</b>	<b>1</b>	<b>V266478 -</b>
013	669-2696	MUFFLER ARRESTOR	1	
015	669-2722	MUFFLER COVER B	1	
016	668-7235	HEAT SHIELD	1	
017	669-2717	MUFFLER COVER A COMP.	1	
020	669-5318	SCREW 5X8/P	1	- U085952
020	669-5380	SCREW 5X10/PS	2	U085953 -
024	669-5372	SCREW 4X14/PS	2	
030	668-8343	PLUG CAP	1	
031	668-4642	CLUTCH WASHER B	2	
032	668-4643	CLUTCH SHOE COMP.	2	
033	668-4644	CLUTCH SPRING	1	
034	668-9528	CLUTCH PLATE A	2	
035	668-4646	STEP BOLT	2	
036	669-5418	SCREW 5X16/WS	4	
038	668-4648	BENT WASHER 8	2	
039	668-4636	TAPPING SCREW D4.5X16	1	
040	669-2732	MUFFLER GASKET	1	
041	669-2441	MUFFLER SET, SPARE	1	
042	668-7236	HEAT SHIELD	1	

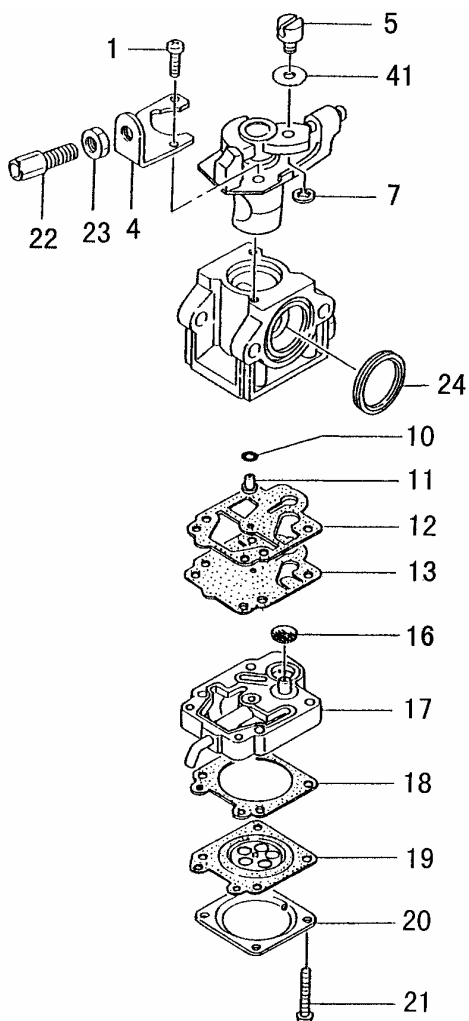
# S15-05 RECOIL STARTER



REF. NUMBER	PARTS NUMBER	DESCRIPTION	Q'TY	SERIAL NUMBER
<b>S15-05 RECOIL STARTER</b>				
000	669-2962	RECOIL STARTER BODY ASS'Y	1	
002	669-3224	STARTER HANDLE	1	
003	669-3019	RECOIL STARTER BODY COMP.	1	
004	669-3129	RECOIL SPRING	1	
005	669-3152	STARTER ROPE	1	
006	669-3053	STARTER PULLEY	1	- V266276
<b>006</b>	<b>669-3058</b>	<b>STARTER PULLEY</b>	<b>1</b>	<b>V266277</b> -
007	669-3298	STARTER PAWL	1	- V266276
<b>007</b>	<b>669-3303</b>	<b>STARTER PAWL</b>	<b>1</b>	<b>V266277</b> -
008	669-3420	STARTER REEL WASHER	1	
010	669-3625	FRICION PLATE	1	- V266276
<b>010</b>	<b>669-3623</b>	<b>FRICION PLATE</b>	<b>1</b>	<b>V266277</b> -
011	669-3565	STARTER REEL SHIM	1	- V266276
<b>011</b>	<b>669-3564</b>	<b>STARTER PAWL SHIM</b>	<b>1</b>	<b>V266277</b> -
012	NLA	Not Longer Available	1	- V266276
<b>012</b>	<b>669-3635</b>	<b>SET BOLT</b>	<b>1</b>	<b>V266277</b> -

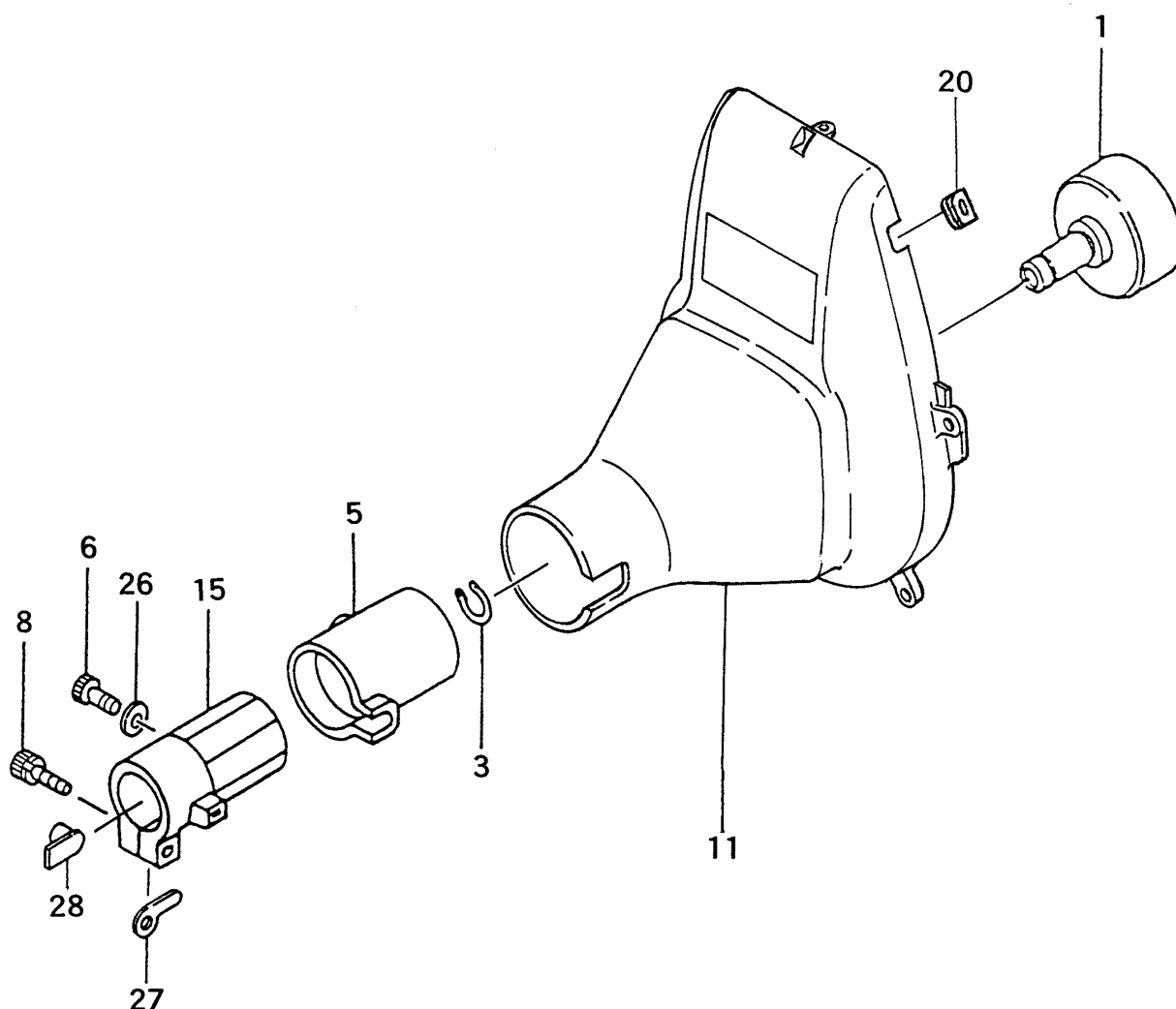


# S15-06 CARBURETOR



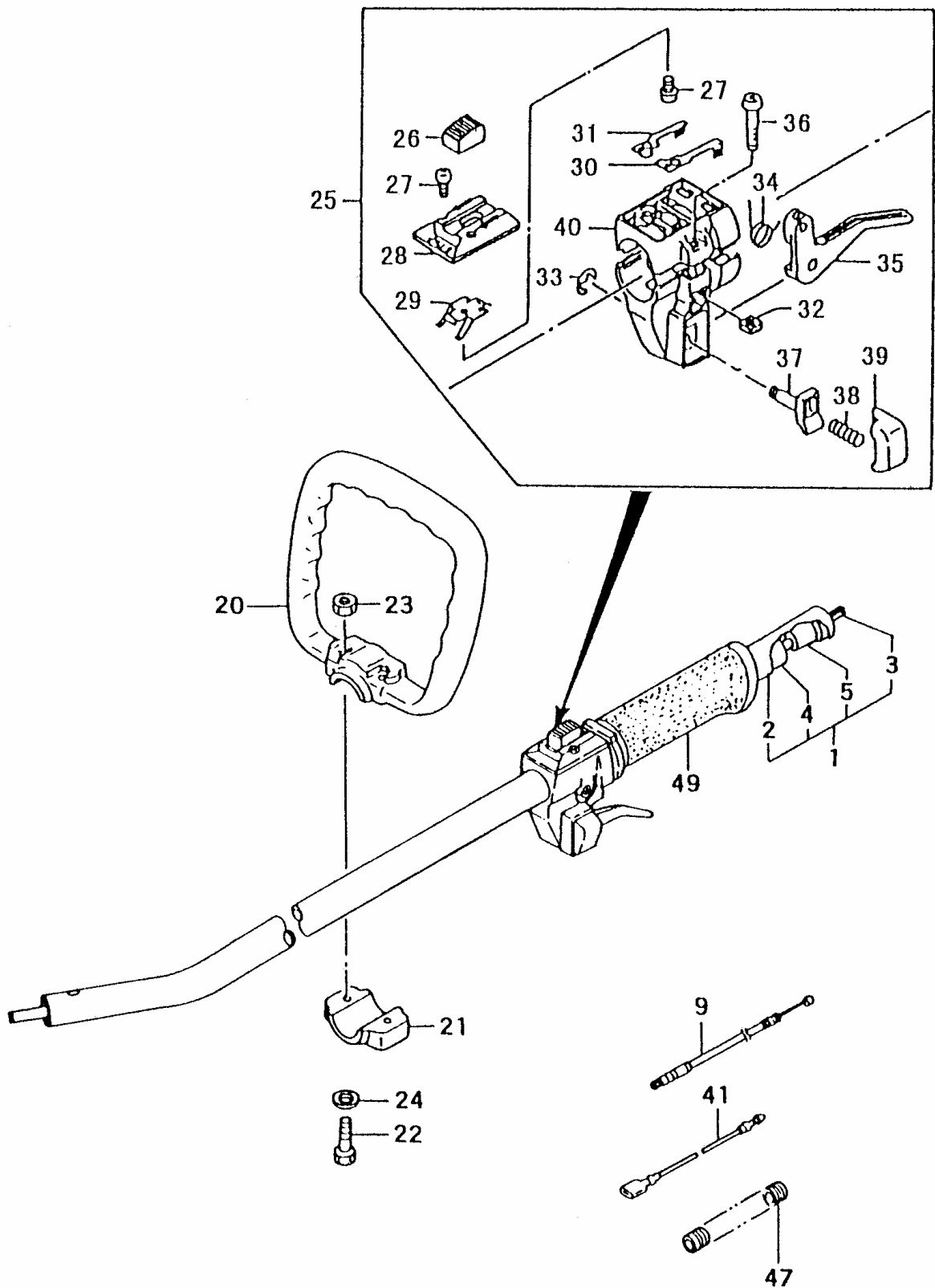
REF. NUMBER	PARTS NUMBER	DESCRIPTION	Q'TY	SERIAL NUMBER
<b>S15-06 CARBURETOR</b>				
001	668-4870	THROTTLE SET SCREW	2	
004	668-4873	CABLE ADJUSTER STAY	1	
005	668-4697	SWIVEL	1	
007	668-4696	STOP RING	1	
010	668-4695	O-RING	1	
011	669-1874	LONG MAIN JET #38	1	
012	669-1457	PUMP GASKET	1	
013	668-4693	PUMP DIAPHRAGM	1	
016	668-4700	INLET SCREEN	1	
017	669-1430	PUMP BODY COMP.	1	
018	668-5220	DIAPHRAGM PACKING	1	
019	669-0827	METERING DIAPHRAGM COMP.	1	
020	668-5222	DIAPHRAGM COVER	1	
021	669-1312	SET SCREW	4	
022	668-4871	CABLE ADJUSTER	1	
023	669-2005	CABLE ADJUST NUT	1	
024	668-4875	CLEANER PACKING	1	
041	668-4874	THRUST WASHER	1	
	<b>669-2190</b>	<b>CARB.REPAIR KIT,K20WYJ</b>	<b>1</b>	
	<b>669-2199</b>	<b>REPAIR KIT DIAPHRAGM,,D20W</b>	<b>1</b>	

# S15-07 FANCASE



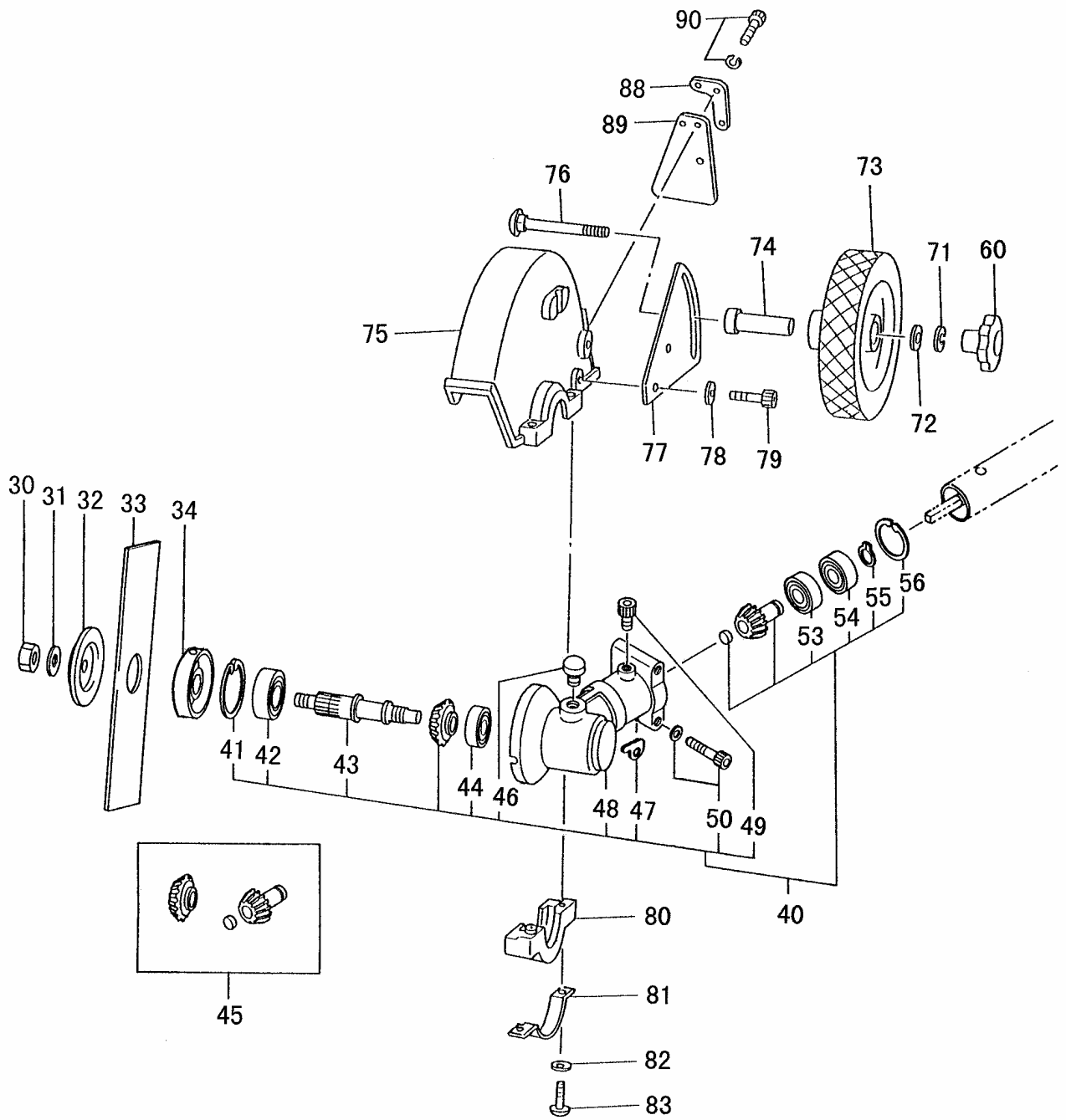
REF. NUMBER	PARTS NUMBER	DESCRIPTION	Q'TY	SERIAL NUMBER
<b>S15-07 FANCASE</b>				
001	668-8576	CLUTCH SHAFT COMP.	1	
003	668-4664	STOP RING C-12 OUTER	1	
005	669-1823	CUSHION RUBBER	1	
006	669-5046	HEX. HOLE BOLT 5X16	1	
008	668-4709	HEX.HOLE BOLT M5X25/S	1	
<b>011</b>	<b>668-6943</b>	<b>FAN CASE COMP.</b>	<b>1</b>	
015	668-9651	PIPE HOLDER, TPE	1	
020	668-8057	PRIMARY CORD GROMMET	1	
026	668-4918	WASHER M5	1	
027	668-9159	GEAR CASE WASHER	1	
028	668-9664	METAL FITTING	1	

# S15-08 THROTTLE LEVER/HANDLE



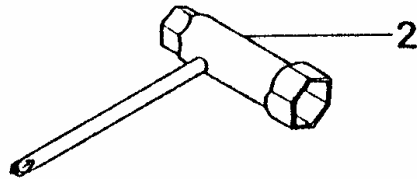
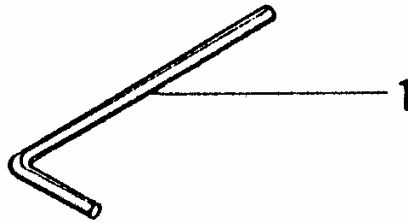
REF. NUMBER	PARTS NUMBER	DESCRIPTION	Q'TY	SERIAL NUMBER
<b>S15-08 THROTTLE LEVER/HANDLE</b>				
001	668-9607	DRIVE SHAFT PIPE SET	1	
002	668-9359	DRIVE SHAFT PIPE	1	
003	668-9485	FLEXIBLE SHAFT	1	
004	668-9559	FLEXIBLE LINNER	1	
005	668-9146	SPACER	1	
009	669-3963	THROTTLE WIRE COMP., 4T	1	
020	669-1033	HANDLE	1	
021	669-1125	HANDLE BRACKET A	1	
022	668-4795	PLUS BOLT 6X40	2	
023	668-4792	NUT M6	2	
024	668-4639	WASHER 6	2	
025	669-3736	THROTTLE LEVER ASS'Y	1	
026	668-7515	STOP SWITCH	1	
027	669-5274	TAPPING SCREW 3X8	3	
028	668-8374	STOP SWITCH BASE	1	
029	668-8385	STOP SWITCH SPRING	1	
030	668-7805	EARTH TERMINAL B	1	
031	668-7801	EARTH TERMINAL A	1	
032	668-5000	SPECIAL NUT M5	2	
033	669-5311	STOP RING E-6	1	
034	669-3601	RETURN SPRING	1	
<b>035</b>	<b>669-3804</b>	<b>THROTTLE ARM</b>	<b>1</b>	
036	669-5453	SCREW 5X20	1	
037	669-3653	LOCK BUTTON SHAFT	1	
038	669-4834	LOCK BUTTON SPRING	1	
039	669-4829	LOCK BUTTON	1	
040	668-8378	STOP BUTTON BODY B	1	
041	668-7915	STOP CORD, B430M	2	
047	668-7563	PROTECTION TUBE 10X190L	1	
049	669-1111	SHAFT GRIP	1	

# S15-09 GEAR CASE



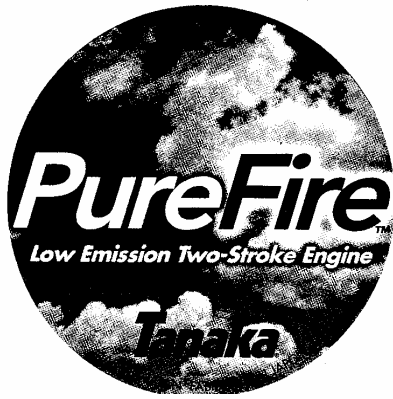
REF. NUMBER	PARTS NUMBER	DESCRIPTION	Q'TY	SERIAL NUMBER
<b>S15-09</b>	<b>GEAR CASE</b>			
030	669-5133	NUT 8/L.H.THREAD	1	
031	668-4611	WASHER M8	1	
032	668-9047	CUTTER HOLDER CAP	1	
033	669-0193	CUTTING BLADE,205MM	1	
034	668-9024	CUTTER HOLDER	1	
040	668-8746	GEAR CASE ASS'Y, SILVER	1	
041	669-5295	STOP RING C-32, INNER	1	
042	669-5554	BALL BEARING 6201D, 32MM/OD	1	
043	668-8934	GEAR SHAFT	1	
044	669-5569	BALL BEARING 628 ST	1	
045	668-8870	GEAR-PINION SET, SPARE	1	
046	669-5437	PLUS HEAD BOLT 8X10	1	
047	668-9156	GEAR CASE WASHER	1	
048	668-8745	GEAR CASE	1	
049	669-5042	HEX. HOLE BOLT 5X10	1	
050	668-4709	HEX.HOLE BOLT M5X25/S	1	
053	668-4734	BALL BEARING 609	1	
054	668-4735	BALL BEARING 609Z ST	1	
055	669-5281	STOP RING C-9, OUTER	1	
056	668-4732	STOP RING C-24,INNER	1	
060	668-8099	LOCK HANDLE KNOB COMP.	1	
071	668-4971	S.WASHER 8	1	
072	668-4611	WASHER M8	1	
073	668-7098	WHEEL	1	
074	668-6255	COLLAR	1	
075	669-0238	BLADE GUARD	1	
076	668-9085	SPECIAL BOLT	1	
077	669-0889	WHEEL STAY	1	
078	668-4826	S.WASHER 6	2	
079	669-5079	HEX HOLE BUTTON SCREW 6X15	2	
080	669-0302	COVER BRACKET	1	
081	669-0341	BLADE GUARD HOLDER	1	
082	668-4826	S.WASHER 6	2	
083	668-4825	HEX. SOCKET HD. BOLT (W/BUTT	2	
088	669-1018	MUD FLAP HOLDER	1	
089	669-1047	MUD FLAP	1	
090	668-4667	HEX.HOLE BOLT M5X12/S	3	

# S15-10 TOOLS



REF. NUMBER	PARTS NUMBER	DESCRIPTION	Q'TY	SERIAL NUMBER
<b>S15-10 TOOLS</b>				
001	668-4813	HEX. BAR WRENCH 4MM	1	
002	668-4979	COMBI BOX SPANNER 13X19 PLU	1	

# S15-11 LABELS



REF. NUMBER	PARTS NUMBER	DESCRIPTION	Q'TY	SERIAL NUMBER
<b>S15-11 LABELS</b>				
001	N/A	Not Available	1	
002	N/A	Not Available	1	
<b>003</b>	<b>N/A</b>	<b>Not Available</b>	<b>1</b>	<b>V266277 -</b>
004	N/A	Not Available	1	
005	N/A	Not Available	1	
006	N/A	Not Available	1	<b>- U279500</b>
007	N/A	Not Available	1	
016	N/A	Not Available	1	
017	N/A	Not Available	1	
021	N/A	Not Available	1	
040	N/A	Not Available	1	