

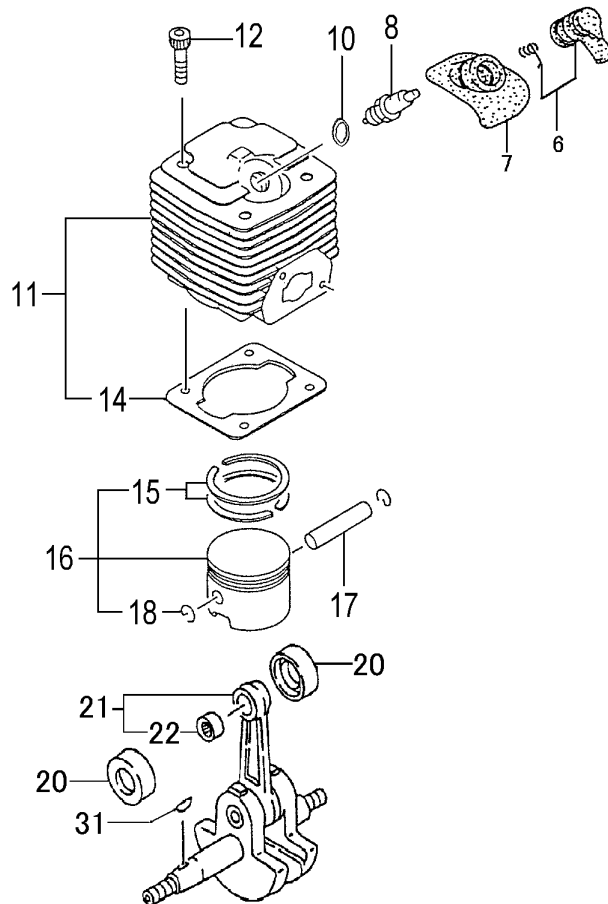
**E04**

***Tanaka***

**TC-47R**

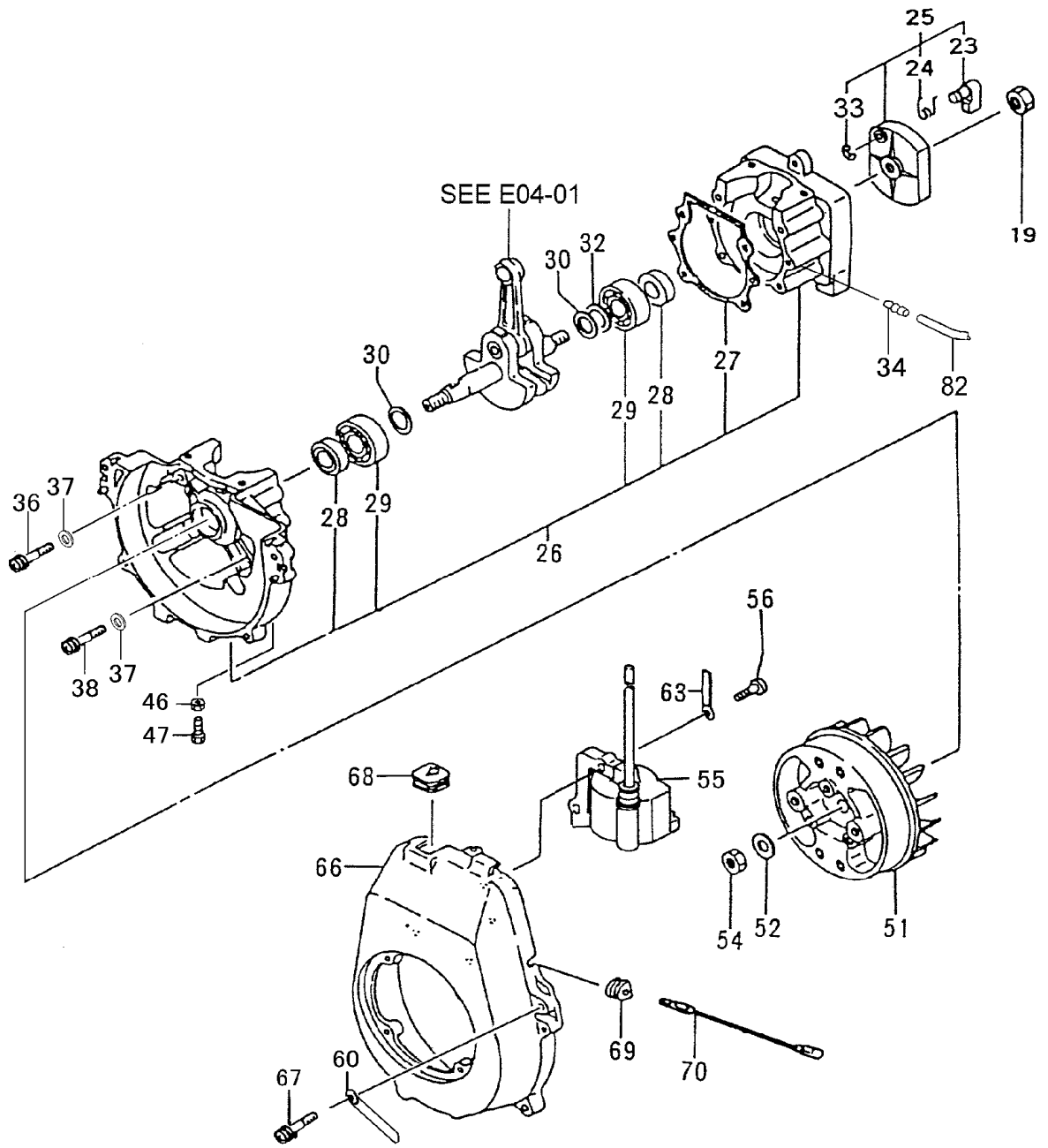
**Serial No.**

# E04-01 CYLINDER/PISTON/CRANK SHAFT



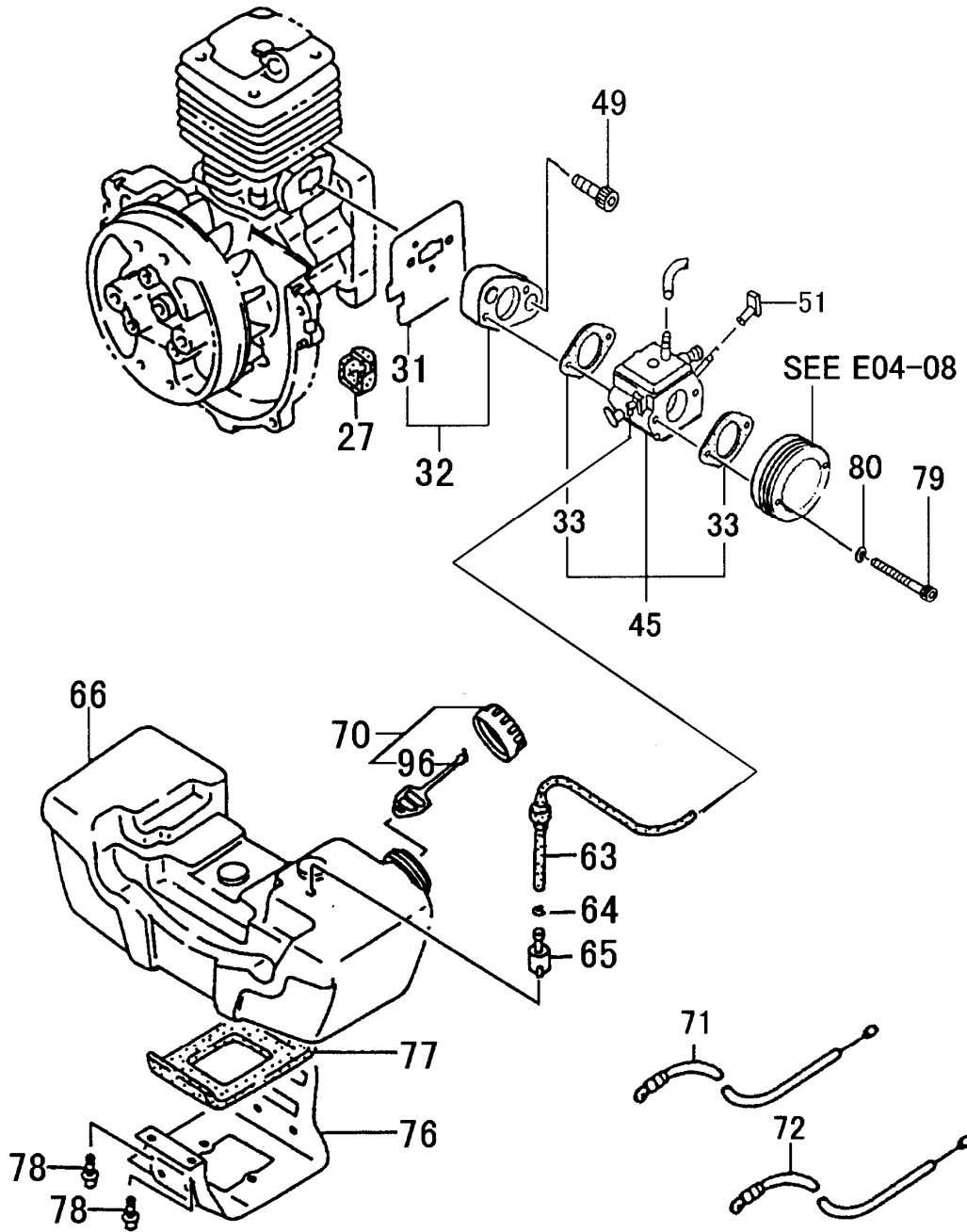
REF. NUMBER	PARTS NUMBER	DESCRIPTION	Q'TY	SERIAL NUMBER
<b>E04-01</b>	<b>CYLINDER/PISTON/CRANK SHAFT</b>			
006	668-7479	SPARK PLUG CAP ASS'Y	1	
007	668-8336	SPARK PLUG RUBBER COVE	1	
008	668-5085	SPARK PLUG BPM6A	1	
010	668-7944	SPECIAL WASHER 0.5	1	
011	668-5473	CYLINDER SET	1	
012	668-4586	HEX.HOLE BOLT M5X18/S	4	
014	668-5738	CYLINDER GASKET	1	
015	668-6126	PISTON RING	2	
016	668-5887	PISTON SET	1	
017	668-6019	PISTON PIN 10X35	1	
018	668-6026	PISTON PIN CIRCLIP	2	
020	668-5993	PISTON PIN COLLAR	2	
021	668-6190	CRANK SHAFT COMP.	1	
022	669-5602	NEEDLE BEARING, 2X8.8	1	
031	668-6457	WOOD-RUFF KEY 3X13X5	1	

# E04-02 CRANK CASE



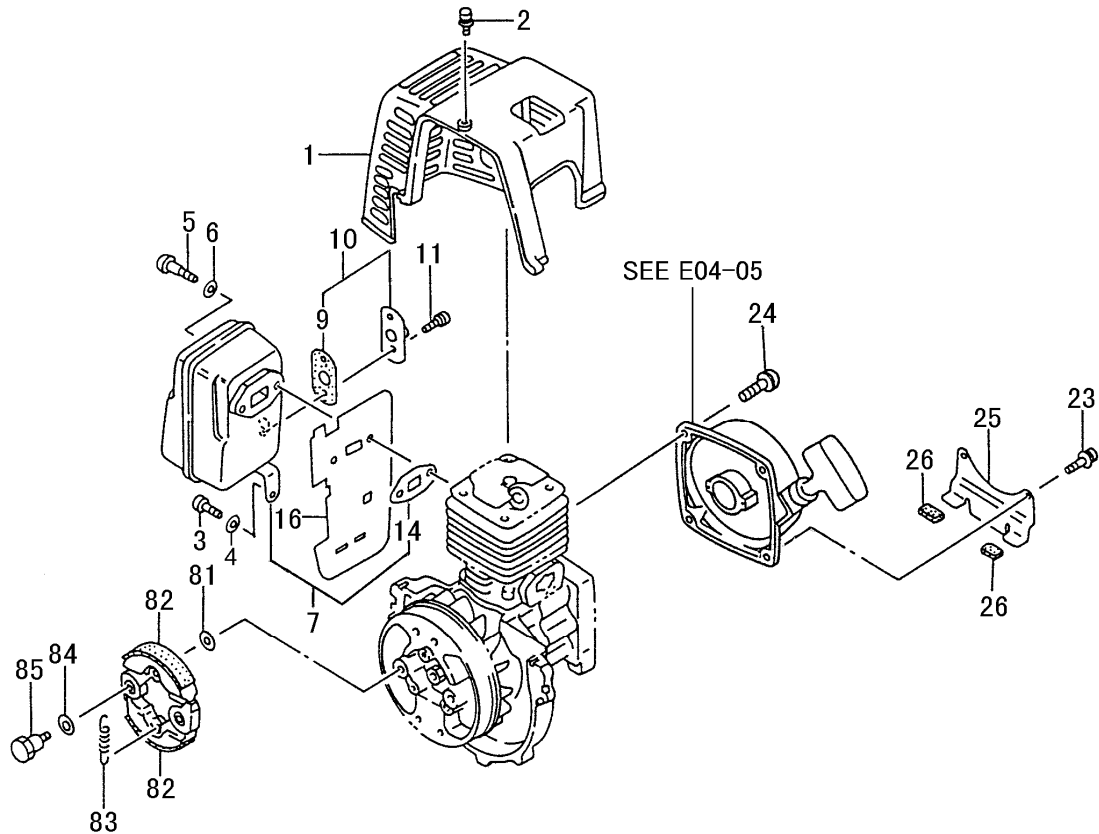
REF. NUMBER	PARTS NUMBER	DESCRIPTION	Q'TY	SERIAL NUMBER
<b>E04-02 CRANK CASE</b>				
019	669-5139	SMALL NUT 10	1	
023	669-3302	STARTER PAWL	1	
024	669-3345	STARTER PAWL SPRING	1	
025	669-3395	STARTER PULLEY	1	
026	668-6555	CRANK CASE ASS'Y	1	
027	668-6713	CRANK CASE GASKET	1	
028	669-5637	OIL SEAL UD15257	2	
029	669-5557	BALL BEARING #6202, 35MM/	2	
030	668-6463	CRANK SHAFT WASHER 15.2	2	
032	NLA	No longer Available	V	
032	668-6470	CRANK SHAFT SHIM 0.10	V	
032	668-6471	CRANK SHAFT SHIM 0.15	V	
032	668-6472	CRANK SHAFT SHIM 0.20	V	
032	668-6473	CRANK SHAFT SHIM 0.30	V	
033	668-4683	STOP RING E-5	1	
034	669-0079	PULSE FITTING	1	
036	669-5084	HEX HOLE BUTTON SCREW 6	2	
037	668-4826	S.WASHER 6	4	
038	668-4825	HEX. SOCKET HD. BOLT (W/B	2	
046	668-4872	LOCK NUT M6	1	
047	669-4043	OUTER RECEIVER	1	
051	668-7371	MAGNET ROTOR COMP.	1	
052	669-5185	SMALL WASHER 10	1	
054	669-5138	NUT 10	1	
055	668-7649	IGNITION COIL COMP.	1	
056	669-5419	SCREW 5X18/WS	2	
060	668-8008	CORD CLAMP COMP.	1	
063	668-8004	CORD CLAMP COMP.	1	
066	668-6976	FAN CASE POLISH	1	
067	669-5361	SCREW 6X20/S	4	
068	668-8055	PRIMARY CORD GROMMET	1	
069	668-8049	PRIMARY CORD GROMMET	1	
070	668-7868	STOP CORD 240L	1	
075	668-8008	CORD CLAMP COMP.	1	
082	669-2417	FUEL PIPE 3X5X130	1	

# E04-03 ENGIN-1



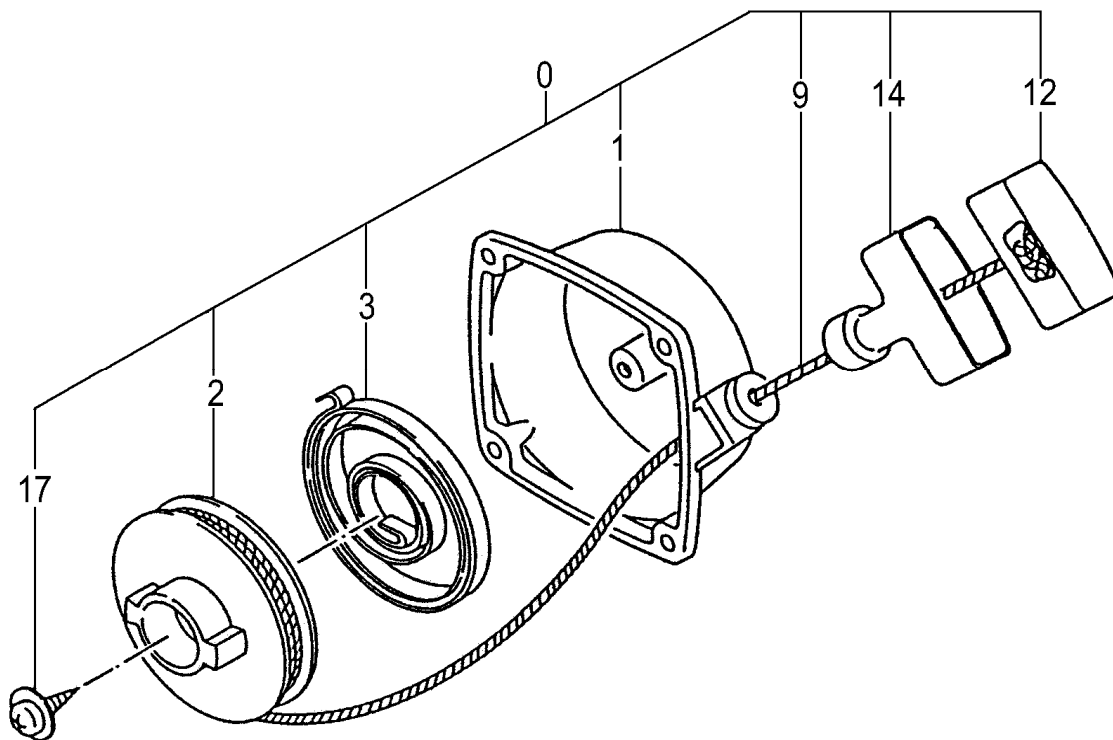
REF. NUMBER	PARTS NUMBER	DESCRIPTION	Q'TY	SERIAL NUMBER
<b>E04-03</b>	<b>ENGINE-1</b>			
027	669-2225	FUEL TANK CUSHION RUBBER	2	
031	668-9883	INLET MANIFOLD GASKET	1	
032	668-9949	CARB INSULATOR SET	1	
033	668-9832	CARBURETOR GASKET	2	
045	669-0469	CARBURETOR SET HDA219	1	
049	669-5419	SCREW 5X18/WS	2	
051	669-1004	CHOKE LEVER	1	
063	668-8166	FUEL PIPE ASS'Y 3X5X180	1	
064	668-4619	CLIP,6.3 DIA.	1	
065	669-2273	PUMP FILTER BODY ASS'Y	1	
066	669-1529	FUEL TANK, WHITE	1	
070	669-1763	TANK CAP D ASS'Y, BLACK	1	
071	669-3883	THROTTLE WIRE 2070+115	1	
072	669-3884	THROTTLE WIRE 1320+112	1	
076	669-1927	TANK HOLDING BAND	1	
077	669-2193	CUSHION RUBBER	1	
078	669-5386	SCREW 5X16/PS	2	
079	669-5056	HEX. HOLE BOLT 5X55	2	
080	668-4834	SPRING WASHER 5	2	
096	668-4625	TANK CAP CHAIN	1	

# E04-04 ENGINE-2



REF. NUMBER	PARTS NUMBER	DESCRIPTION	Q'TY	SERIAL NUMBER
<b>E04-04 ENGINE-2</b>				
001	669-2777	MUFFLER PROTECTOR	1	
002	669-5383	SCREW 5X12/PS	1	
003	668-4667	HEX.HOLE BOLT M5X12/S	1	
004	668-4918	WASHER M5	1	
005	669-5088	HEX. HOLE BUTTON SCREW	2	
006	668-4639	WASHER 6	2	
007	669-2463	MUFFLER SET	1	
009	669-2883	MUFFLER SPECIAL GASKET	1	
010	669-2651	TAIL PIPE SET, SPARE	1	
011	669-5325	SCREW 4X8/S	2	
014	669-2741	MUFFLER GASKET	1	
016	668-7242	HEAT SHIELD	1	
023	669-5389	SCREW 5X18/PS	2	
024	669-5395	SCREW 5X25PS	2	
025	669-2205	TANK BRACKET	1	
026	669-2227	FUEL TANK CUSHION RUBBE	2	
081	668-9645	CLUTCH WASHER B	2	
082	668-8615	CLUTCH ARM	2	
083	668-9429	CLUTCH SPRING	1	
084	669-5203	WAVE WASHER 10	2	
085	668-9628	CLUTCH STEP BOLT	2	

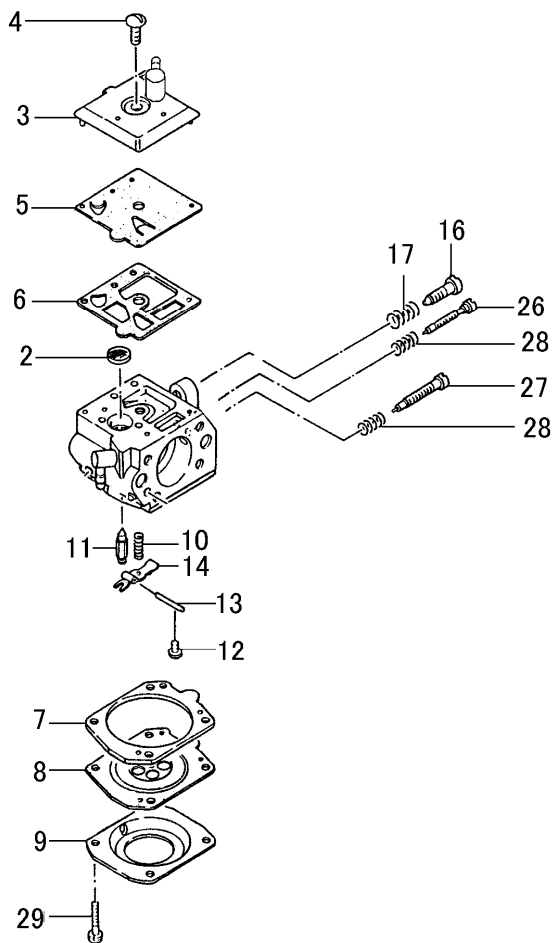
# E04-05 RECOIL STARTER



REF. NUMBER	PARTS NUMBER	DESCRIPTION	Q'TY	SERIAL NUMBER
<b>E04-05 RECOIL STARTER</b>				
000	669-2970	RECOIL STARTER BODY ASS'Y	1	
001	669-3025	RECOIL STARTER BODY COM	1	
002	669-3007	STARTER ROPE REEL	1	
003	669-3114	RECOIL SPRING	1	
009	669-3165	STARTER ROPE	1	
012	669-3607	STARTER HANDLE CAP	1	
014	669-3232	STARTER HANDLE	1	
017	669-3634	SET SCREW	1	



# E04-06 CARBURETOR

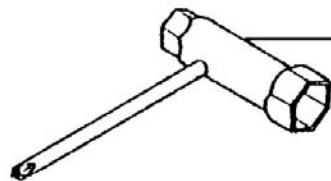


REF. NUMBER	PARTS NUMBER	DESCRIPTION	Q'TY	SERIAL NUMBER
<b>E04-06 CARBURETOR</b>				
002	668-4700	INLET SCREEN	1	
003	669-1437	PUMP BODY COMP	1	
004	669-1216	SET SCREW	1	
005	669-1455	PUMP GASKET	1	
006	669-1446	PUMP DIAPHRAGM	1	
007	669-0838	DIAPHRAGM GASKET	1	
008	669-0828	METERRING DIAPHRAGM COM	1	
009	669-0862	DIAPHRAGM COVER	1	
010	669-0874	VALVE SPRING	1	
011	668-5215	NEEDLE VALVE	1	
012	668-5218	HINGE PIN SET SCREW	1	
013	668-5219	HINGE PIN	1	
014	669-0819	CONTROL LEVER	1	
016	669-0736	IDLE ADJUST SCREW	1	
017	669-0766	IDLE ADJUST SPRING	1	
026	669-0723	LOW ADJUST SCREW	1	
027	669-0703	HIGH ADJUST SCREW	1	
028	669-2049	ADJUST SPRING	2	
029	668-5223	SET SCREW	4	
	669-2186	CARB. REPAIR KIT, K12-HDA	1	
	669-2196	GASKET/DIA. KIT, D11HDA	1	

# E04-07 LABELS/TOOLS



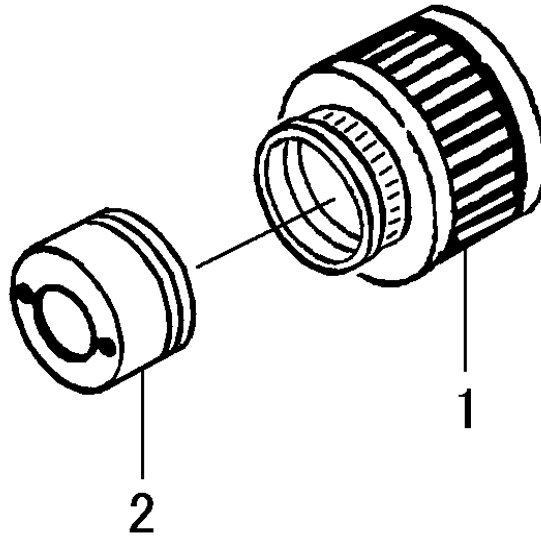
1



31

REF. NUMBER	PARTS NUMBER	DESCRIPTION	Q'TY	SERIAL NUMBER
<b>E04-07 LABELS/TOOLS</b>				
001	669-4141	NAME PLATE TC47R	1	
031	668-4764	BOX WRENCH (HEX. SOCKET	1	

# E04-08 ISM PARTS



REF. NUMBER	PARTS NUMBER	DESCRIPTION	Q'TY	SERIAL NUMBER
<b>E04-08 ISM PARTS</b>				
001	669-0029	AIR CLEANER ASS'Y *	1	
002	669-0200	AIR CLEANER BASE *	1	