

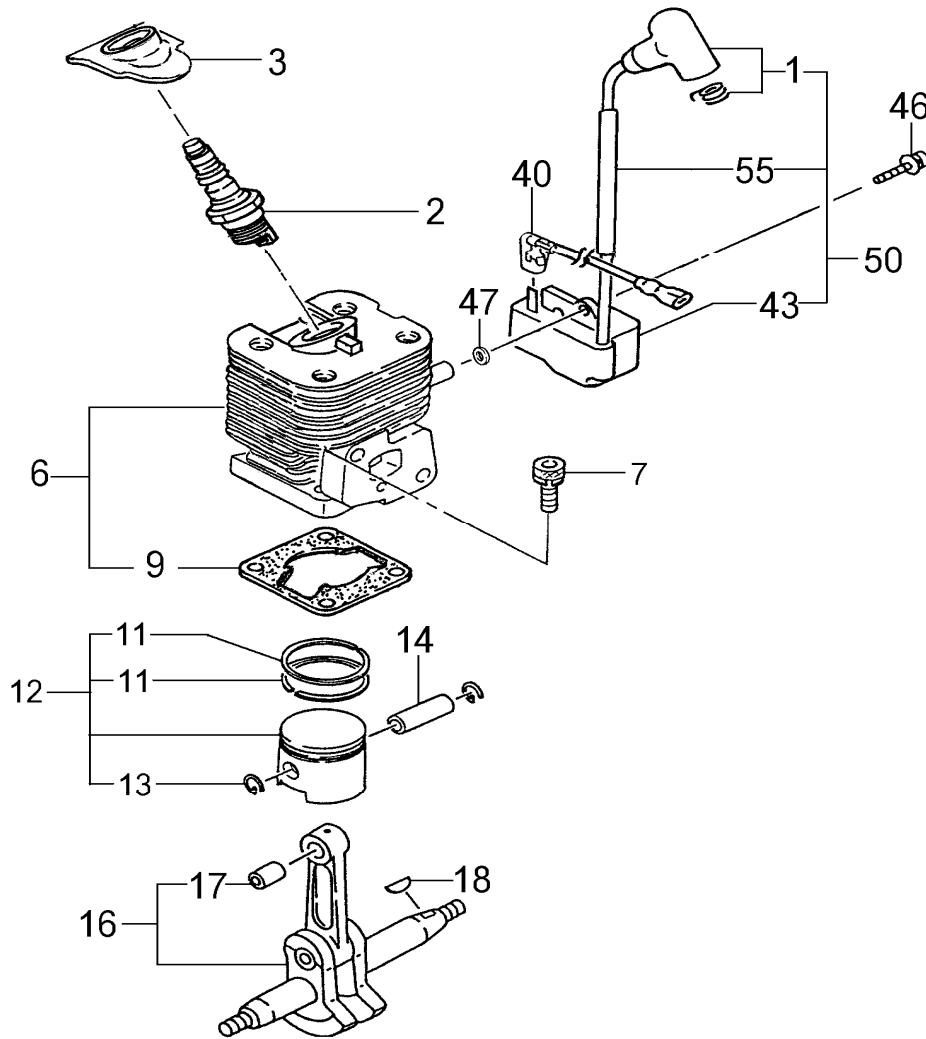
**H28**

***Tanaka***

**HTS-2530PF**

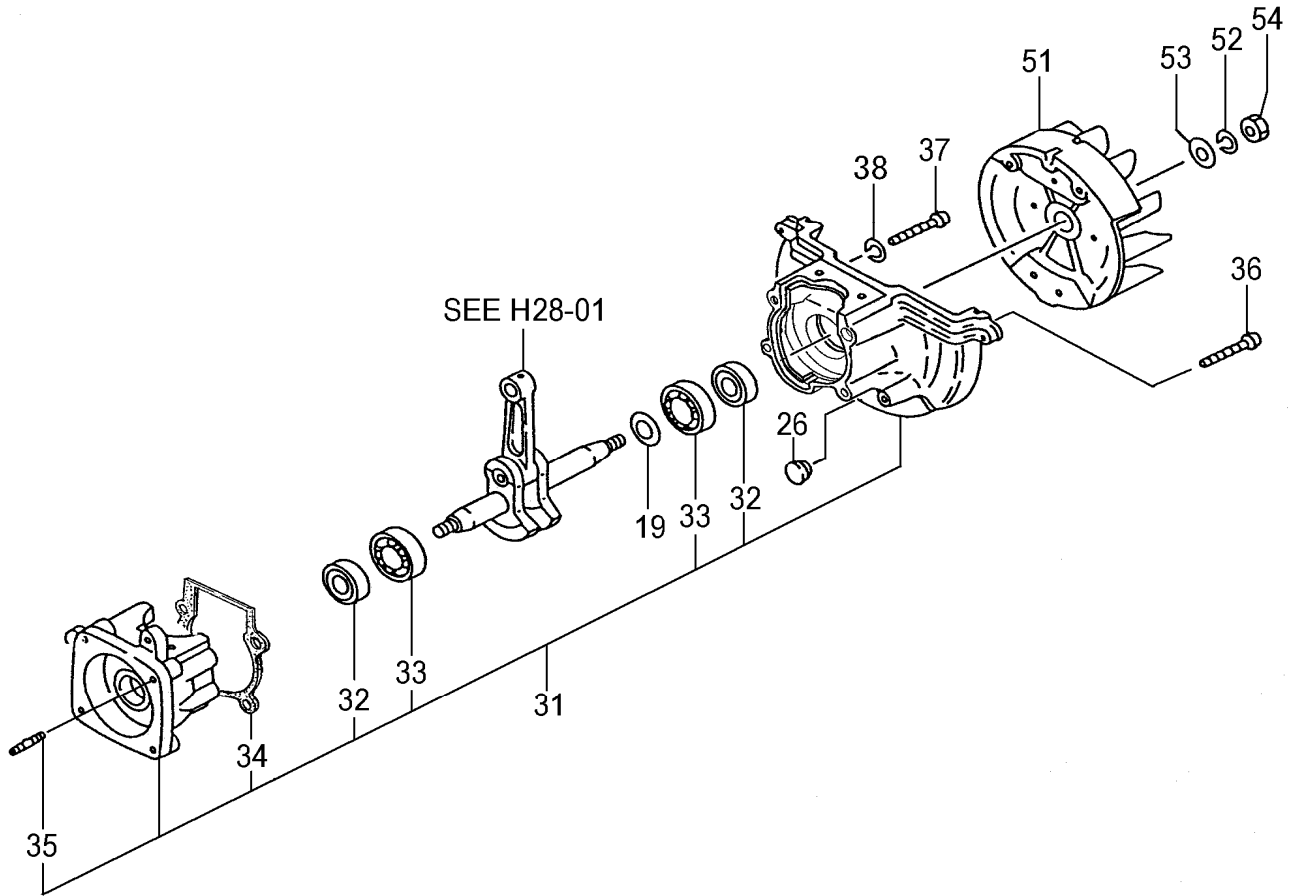
**Serial No.-A302250**

# H28-01 CYLINDER/PISTON/CRANK SHAFT



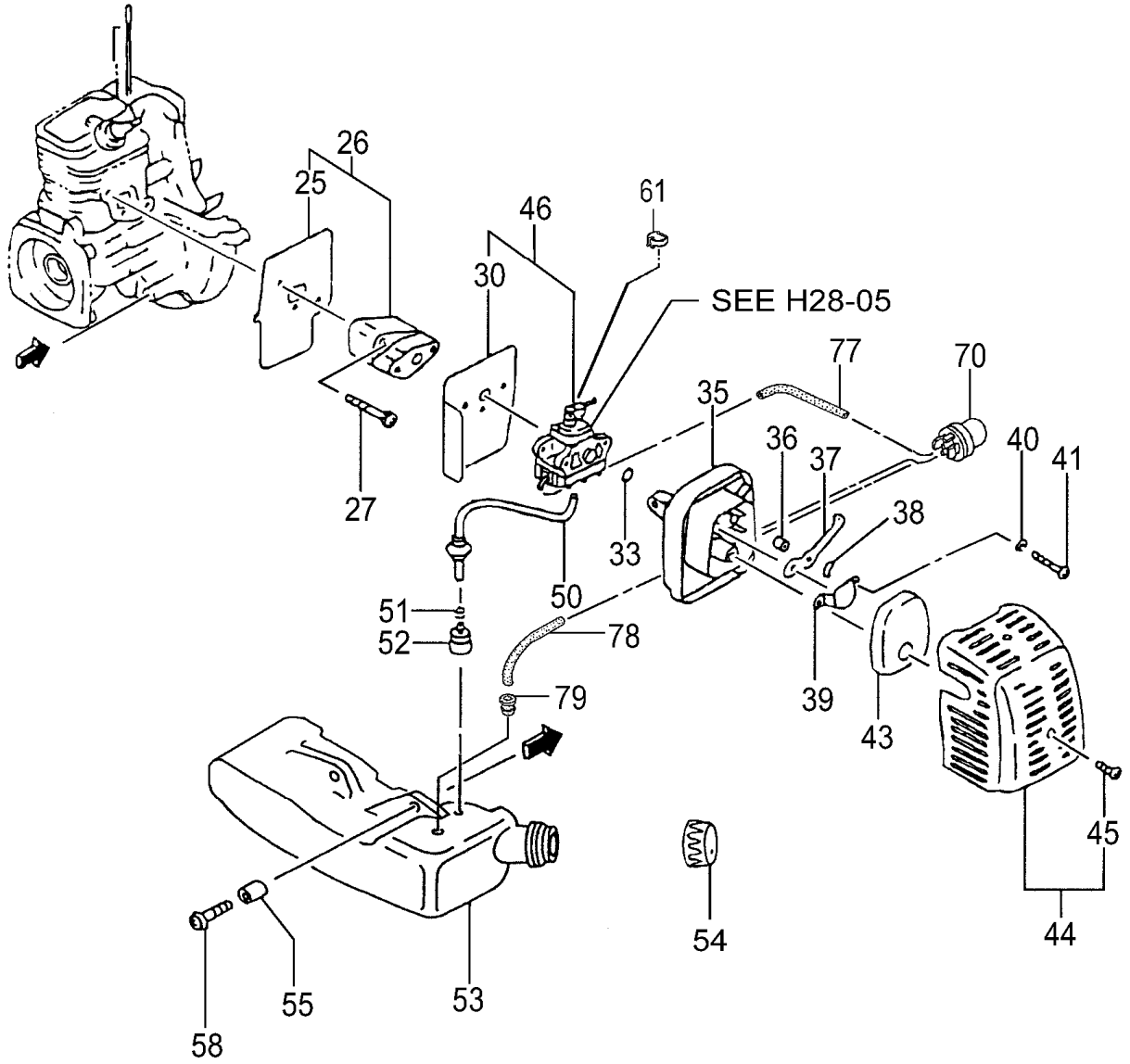
REF. NUMBER	PARTS NUMBER	DESCRIPTION	Q'TY	SERIAL NUMBER
<b>H28-01</b>	<b>CYLINDER/PISTON/CRANK SHAFT</b>			
001	668-4894	PLUG CAP ASS'Y	1	
002	668-5085	SPARK PLUG BPM6A	1	
003	668-8334	SPARK PLUG RUBBER COVER	1	
006	668-5462	CYLINDER SET	1	
007	668-4586	HEX.HOLE BOLT M5X18/S	4	
009	668-5728	CYLINDER GASKET	1	
011	668-4588	PISTON RING	2	
012	668-5877	PISTON SET	1	
013	668-5078	CIRCLIP	2	
014	668-6011	PISTON PIN	1	
016	668-6176	CRANK SHAFT COMP.	1	
017	669-5592	NEEDLE BRG F-910 1.4X8.5	1	
018	668-4899	WOODRUFF KEY 3X13X4.5	1	
040	668-7840	CORD, B 140M	1	
043	668-7703	IGNITION COIL COMP.	1	
046	668-4599	HEX.HOLE BOLT M4X18/WS	2	
047	668-4600	WASHER	2	
050	668-7704	IGNITION COIL ASS'Y	1	
055	668-8316	INSULATOR TUBE	1	

# H28-02 CRANK CASE



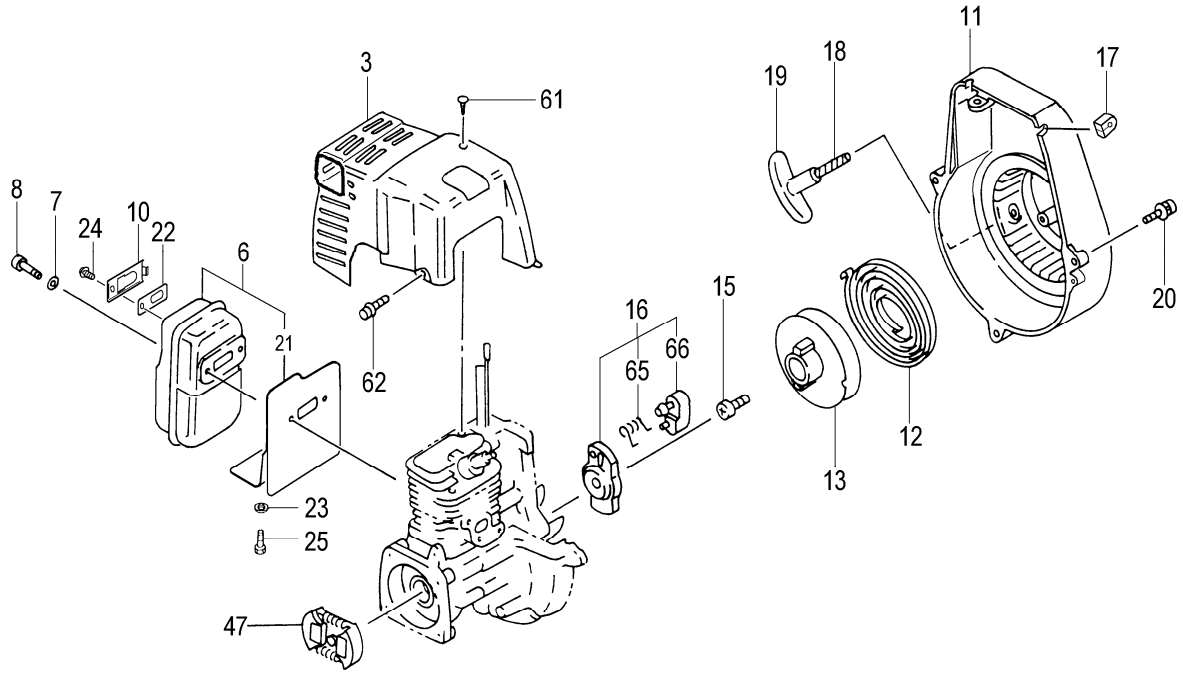
REF. NUMBER	PARTS NUMBER	DESCRIPTION	Q'TY	SERIAL NUMBER
<b>H28-02 CRANK CASE</b>				
019	668-9177	GEAR SHAFT SHIM 0.10	V	
019	668-9178	GEAR SHAFT SHIM 0.15	V	
019	668-4604	GEAR SHAFT SHIM 0.20	V	
019	668-4605	GEAR SHAFT SHIM 0.30	V	
026	668-8047	GROMMET	1	
031	668-6529	CRANK CASE ASS'Y	1	
032	668-4607	OIL SEAL TB 12227	2	
033	669-5535	BALL BEARING 6001 C3	2	
034	668-6705	CRANK CASE GASKET	1	
035	668-6771	STUD BOLT 6X22	2	
036	668-4786	HEX. SOCKET HD. BOLT M5X30 S	2	
037	669-5350	SCREW 5X45S	2	- A177000
037	669-5055	HEX. HOLE BOLT 5X45	2	A177001 -
038	668-4834	SPRING WASHER 5	2	A177001 -
051	668-7418	MAGNETO ROTOR COMP.	1	
052	668-4971	S.WASHER 8	1	
053	668-4611	WASHER M8	1	
054	668-4612	HEX.NUT M8	1	

# H28-03 ENGINE-1



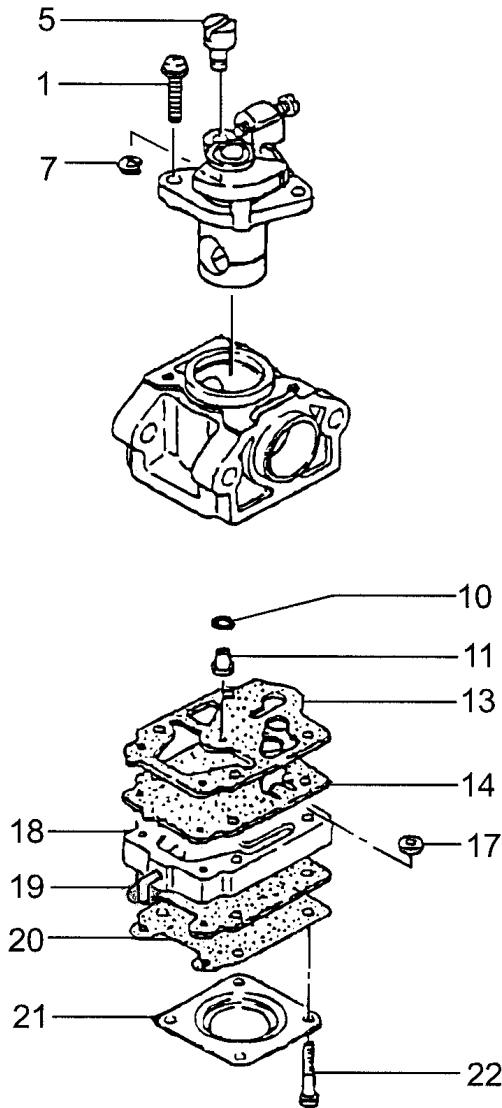
REF. NUMBER	PARTS NUMBER	DESCRIPTION	Q'TY	SERIAL NUMBER
<b>H28-03</b>	<b>ENGINE-1</b>			
025	668-9874	INTAKE MANIFOLD GASKET	1	
026	668-9937	INSULATOR SET,SPARE	1	
027	669-5515	HEX. HOLE BOLT 5X25WS	2	
030	668-9828	CARBURETOR GASKET	1	
033	669-5670	O-RING P-15	1	
035	669-0119	CLEANER BODY COMP.	1	
036	669-0804	COLLAR 7.5	2	
037	669-1261	CHOKE VALVE	1	
038	668-4658	WAVE WASHER 8	1	
039	669-0843	BLOW OVER CHECK BOARD	1	
040	668-4662	S.WASHER 5	2	
041	668-4660	SCREW M5X60	2	
043	669-0364	CLEANER SPONGE	1	
044	669-0415	CLEANER COVER ASS'Y	1	
045	668-9737	SPECIAL SCREW	1	
046	669-0461	CARBURETOR SET WYL139A	1	
050	668-8174	SHEELD TUBE	1	
051	668-4619	CLIP,6.3 DIA.	1	
052	668-4620	PUMP FILTER BODY COMP.	1	
053	669-1513	FUEL TANK	1	
054	669-1748	TANK CAP D ASS'Y	1	
055	669-2244	COLLAR 5.8	2	
058	669-5505	HEX. HOLE BOLT 5X18PS	2	
061	668-4628	SWIVEL CAP	1	A177001 -
070	668-5139	PRIMING PUMP COMP.	1	
077	669-2347	FUEL PIPE 2.5X4X80	1	
078	669-2346	FUEL PIPE 2.5X4X70	1	
079	668-4627	RETURN GROMMET	1	

# H28-04 ENGINE-2



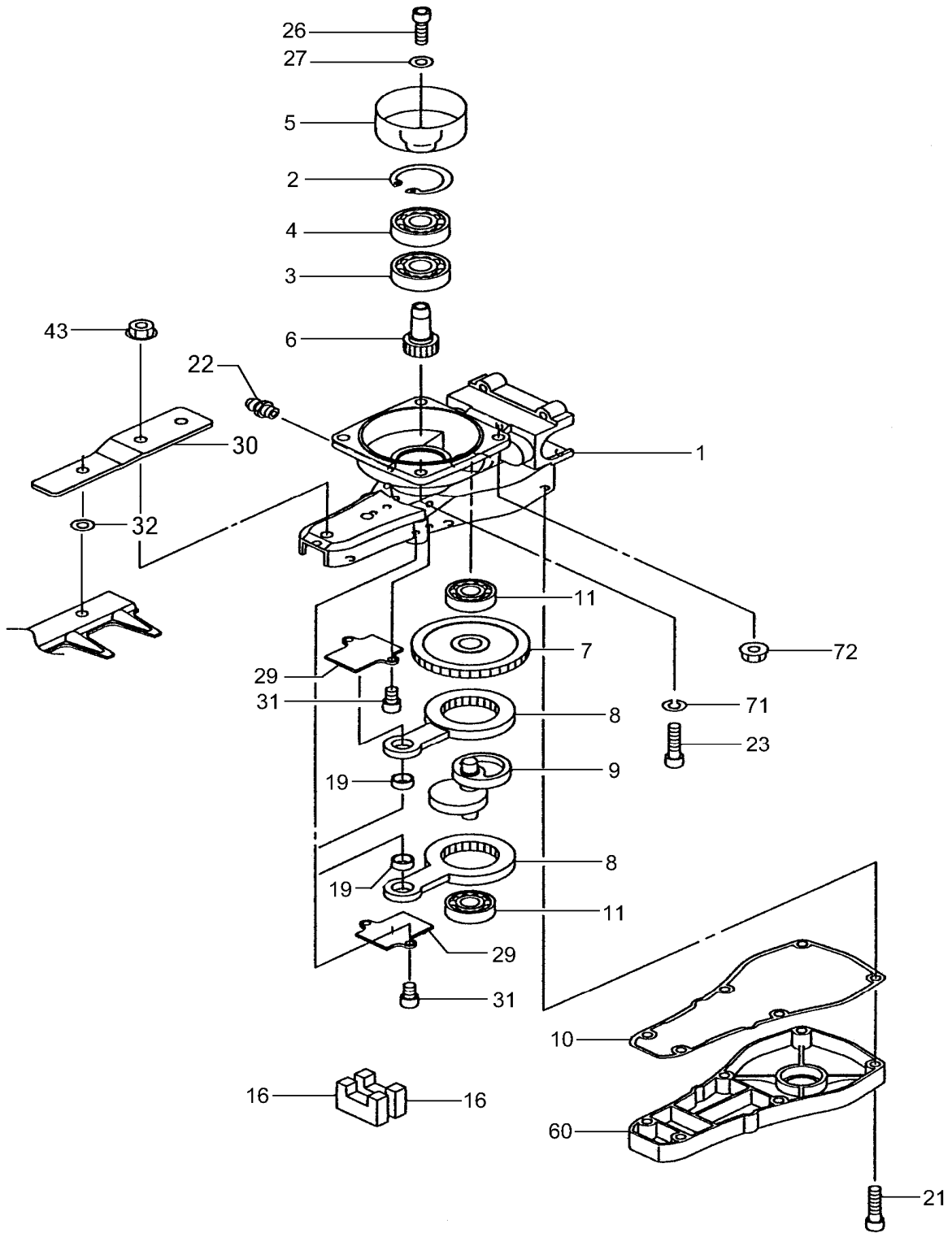
REF. NUMBER	PARTS NUMBER	DESCRIPTION	Q'TY	SERIAL NUMBER
<b>H28-04 ENGINE-2</b>				
003	669-2772	MUFFLER PROTECTOR	1	
006	669-2451	MUFELER SET	1	
007	668-4639	WASHER 6	2	
008	669-5086	HEX. HOLE SCREW 6X55	2	
010	669-2652	TAIL PIPE	1	- Y308100
010	669-2646	TAIL PIPE	1	Y308101 -
011	668-6957	FAN CASE COMP.	1	
012	668-4675	RECOIL SPRING	1	
013	669-3066	STARTER ROPE REEL	1	
015	669-3633	SET SCREW	1	
016	669-3405	STARTER PULLEY ASS'Y	1	
017	668-8049	PRIMARY CORD GROMMET	1	
018	669-3168	STARTER ROPE	1	
019	669-3237	STARTER HANDLE	1	
020	668-4682	HEX.HOLE BOLT 4X15/PS	3	
021	669-2718	MUFFLER COVER A COMP.	1	
022	669-2696	MUFFLER ARRESTOR	1	
023	668-4661	WASHER 5	1	
024	668-5109	MACHINE SCREW (W/SP. WASHER)	1	- W100100
024	669-5471	SCREW 4X8PS	1	W100101 -
025	669-5332	SCREW 5X8/S	1	
047	668-8493	CLUTCH ASSY,48MM	1	
061	669-5104	TAPPING SCREW 4.5X10	1	
062	669-5441	BOLT 4X12PS	1	
065	668-4684	STARTER PAWL SPRING	1	
066	669-3319	STARTER PAWL	1	

# H28-05 CARBURETOR



REF. NUMBER	PARTS NUMBER	DESCRIPTION	Q'TY	SERIAL NUMBER
<b>H28-05 CARBURETOR</b>				
001	668-4698	THROTTLE SET SCREW	2	
005	668-4697	SWIVEL	1	
007	668-4696	STOP RING	1	
010	668-4695	O-RING	1	
011	669-1873	MAIN JET #35	1	
013	669-1457	PUMP GASKET	1	
014	668-4693	PUMP DIAPHRAGM	1	
017	668-4700	INLET SCREEN	1	
018	669-1435	PUMP BODY COMP.	1	
019	668-5220	DIAPHRAGM PACKING	1	
020	669-0830	METERING DIAPHRAGM COMP.	1	
021	668-5222	DIAPHRAGM COVER	1	
022	669-1312	SET SCREW	4	
	669-2191	CARB. REPAIR KIT, K10-WYL	1	
	669-2200	GASKET/DIA. KIT,D10WYL	1	

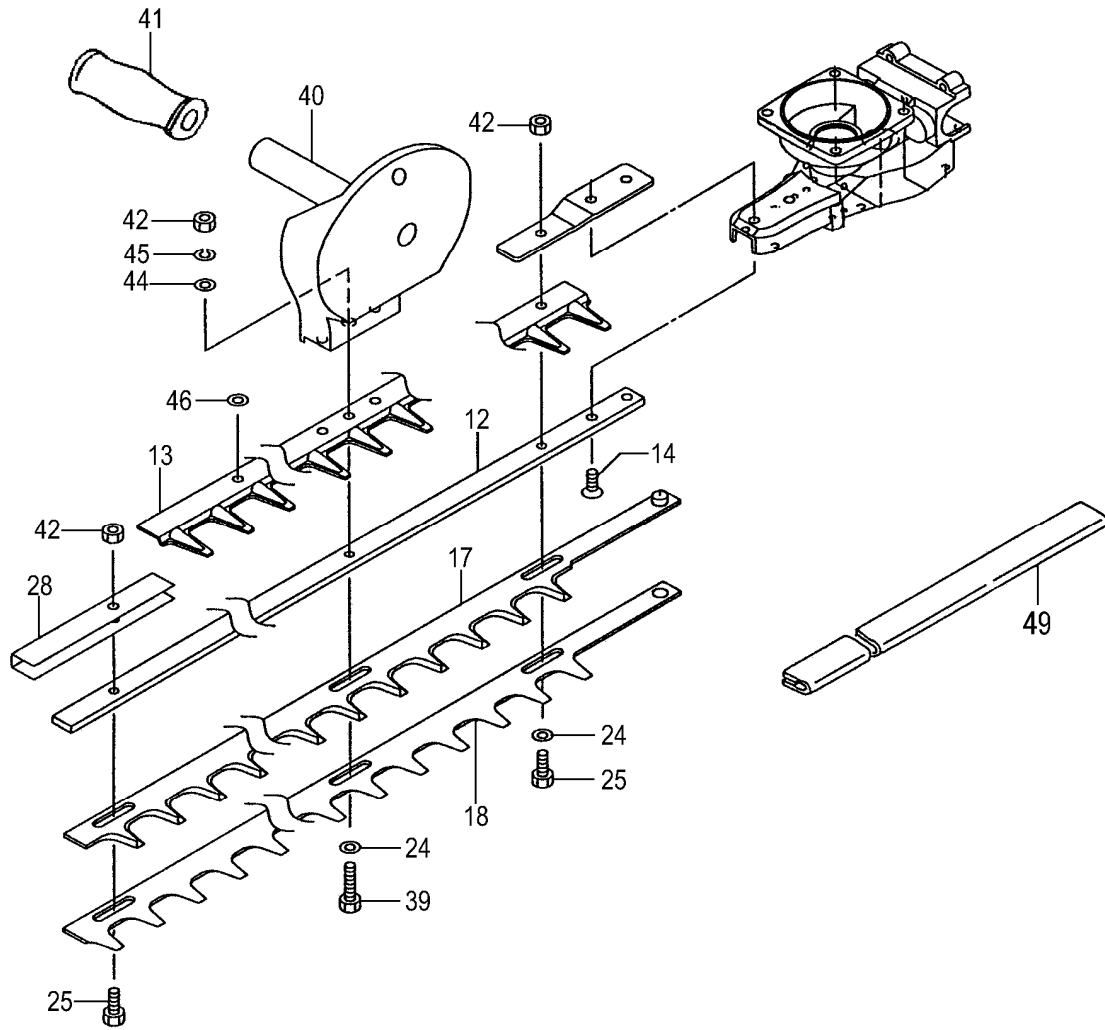
# H28-06 GEAR CASE





REF. NUMBER	PARTS NUMBER	DESCRIPTION	Q'TY	SERIAL NUMBER
<b>H28-06</b>	<b>GEAR CASE</b>			
001	668-8672	GEAR CASE A	1	
002	669-5294	STOP RING C-26, INNER	1	
003	669-5524	BALL BEARING #6000, 26MM/OD	1	
004	669-5526	BALL BEARING #6000Z, 26MM/OD	1	
005	668-8571	CLUTCH HOUSING COMP.	1	
006	668-8967	GEAR 1	1	
007	668-8975	GEAR 2	1	
008	668-6810	CAM-ROD COMP.	2	
009	668-6791	CAM SHAFT	1	
010	668-8910	GEAR CASE GASKET	1	
011	668-4738	BALL BEARING #608,22MM/OD	2	
016	668-6655	GREASE SEAL A	2	
019	668-8293	COLLAR	2	
021	668-4709	HEX.HOLE BOLT M5X25/S	6	
022	668-8643	GREASE NIPPLE COMP.	1	
023	669-5059	HEX. HOLE BOLT 6X18	2	- A177000
023	669-5495	HEX. HOLE BOLT 6X18/S	2	A177001 -
026	669-5079	HEX HOLE BUTTON SCREW 6X15	1	
027	669-5183	SMALL WASHER 6	1	
029	668-6467	FIXING PLATE	2	
030	669-0758	SUPPORT PLATE	1	
031	668-5093	HEX. SOCKET HD. BOLT M4X10	4	
032	668-4822	SPECIAL WASHER B	1	
043	669-5475	SPRING NUT 6	2	
060	668-8848	GEAR CASE B	1	
071	669-5219	S.WASHER 6	2	- A177000
072	669-5475	SPRING NUT 6	2	

# H28-07 BLADE

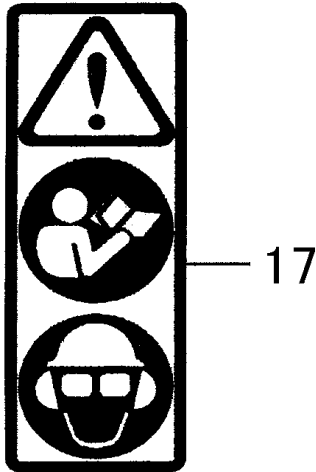
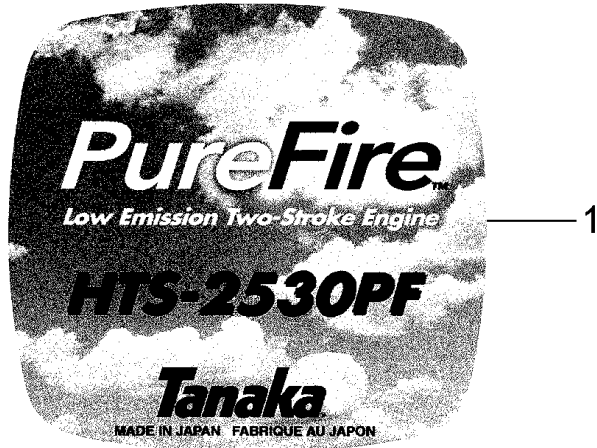


REF. NUMBER	PARTS NUMBER	DESCRIPTION	Q'TY	SERIAL NUMBER
<b>H28-07</b>	<b>BLADE</b>			
012	668-7142	CUTTER GUIDE	1	- A302050
012	668-7151	CUTTER GUIDE 830L M6	1	A302051 -
013	668-7286	PROTECTION PLATE	1	- A302050
014	669-5074	HEX. HOLE SCREW 6X25	2	
017	668-7113	CUTTER B 852L	1	
018	668-7091	CUTTER A	1	
024	668-7187	WASHER 7 BLACK	4	
025	668-7160	CUTTER FIXING BOLT A	4	- A302050
025	668-7158	FIXING BOLT A M6	4	A302051 -
028	668-7180	BLADE HOLDER	1	
039	668-7167	CUTTER FIXING BOLT B	1	- A302050
039	668-7168	FIXING BOLT B M6	1	A302051 -
040	668-6311	HANDLE B COMP.	1	
041	668-4708	HANDLE GRIP	1	
042	668-7155	CUTTER FIXING NUT	5	- A302050
042	669-5170	FLANGE NUT 6	5	A302051 -
044	668-4639	WASHER 6	1	
045	669-5219	S.WASHER 6	1	
046	668-4639	WASHER 6	2	W100101 -
046	668-4639	WASHER 6	2	- A302050
049	668-7308	CUTTER COVER, L-773	1	



REF. NUMBER	PARTS NUMBER	DESCRIPTION	Q'TY	SERIAL NUMBER
<b>H28-08 HANDLE</b>				
001	668-6338	HANDLE GRIP A	1	
002	668-6349	HANDLE GRIP B	1	
003	668-8229	THROTTLE LEVER	1	
004	668-8238	SAFETY LEVER	1	
005	668-6414	THROTTLE LEVER SPRING	1	
006	668-7766	STOP SWITCH COMP.	1	
007	669-4585	STOP BUTTON MARK	1	
010	669-3002	CAP	1	
013	669-5412	SCREW 4X30/WS	2	
014	669-5411	SCREW 4X25/WS	1	
015	668-6356	HANDLE GRIP ASS'Y	1	
016	668-6275	HANDLE A COMP.	1	
017	669-3877	THROTTLE WIRE 270+49	1	
018	668-7558	PROTECTION TUBE 10X150L	1	
019	669-5404	SCREW 4X16WS	3	
022	669-5163	NYLON LOCK NUT 4	6	
023	668-4913	SCREW 3X10	1	
024	668-8366	BUTTON STOP	1	
025	668-8015	CORD CLAMP	1	
033	668-4667	HEX.HOLE BOLT M5X12/S	4	
035	668-6370	HANDLE BRACKET	1	
036	668-6396	HANDLE DUMPER RUBBER	2	
075	668-4813	HEX. BAR WRENCH 4MM	1	
076	668-5997	COMBI. BOX SPANNER 10X19 ,PLUS	1	

# H28-09 LABELS



REF. NUMBER	PARTS NUMBER	DESCRIPTION	Q'TY	SERIAL NUMBER
<b>H28-09 LABELS</b>				
001	669-4125	NAME PLATE HTS2530PF	1	
017	669-4564	CAUTION MARK	1	