

Tanaka Illustrated Parts Manual

Model Number:

THT-2530 / 2540

24cc, 1.3 hp Single Sided Hedge Trimmers

P/N 28581

Rev 000

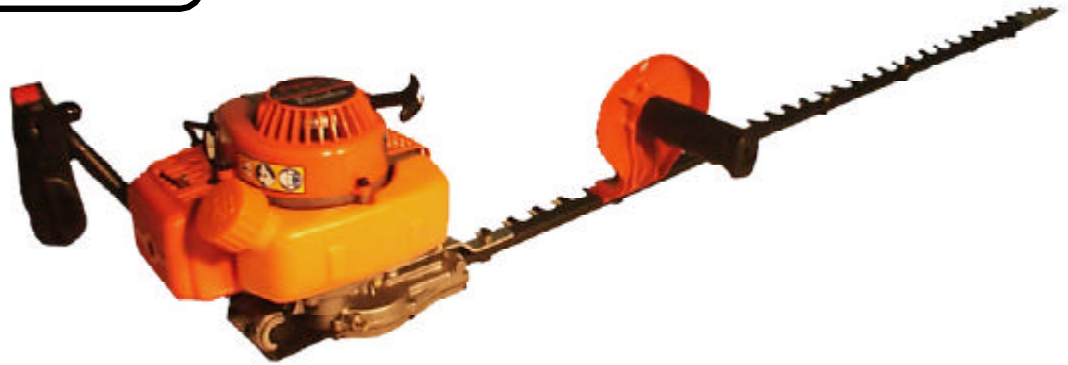
Date 7/30/99

Note: The THT-2530 has 30 inch blades. The THT-2540 has 40 inch blades.



THT-2540

Single Sided Hedge Trimmer



Features / Benefits

- **24cc, 1.3 hp engine** features two piston rings and a stress relieved, chrome plated cylinder for long engine life.
- **40 inch single-sided, dual reciprocating blades** provide powerful cutting action and added reach for larger jobs.
- **Heavy-Duty Gear Case** provides added strength for tough cutting jobs.
- **Sound reduction system™** reduces engine noise up to 44 percent.
- **Anti-vibration system** reduces engine vibration which provides for longer and more comfortable operation.
- **1 / 2 / 5 Warranty Coverage** provides **One-Year** coverage for professionals, **Two-Year** Coverage for Homeowners, and **Five Years** on the Electronic Ignition Module.

Specifications

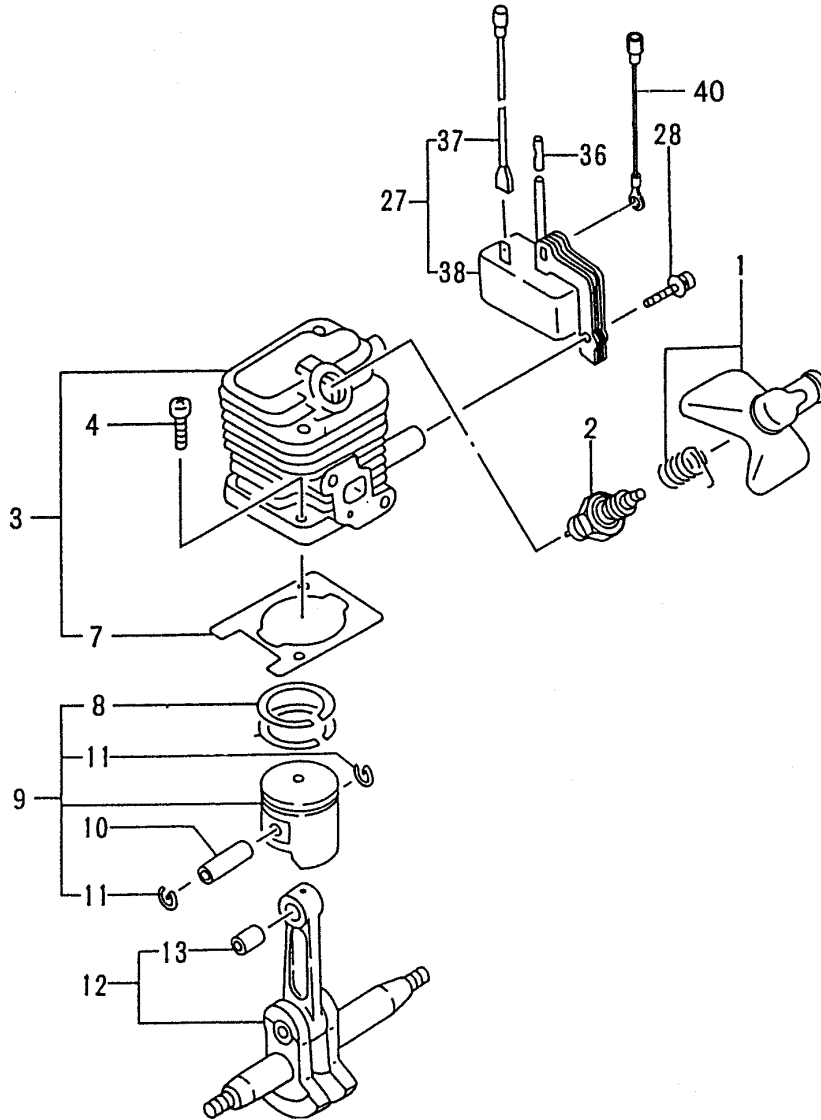
Engine Displacement cc (cu. in.)	24(1.4)
Power (h.p.)	1.3
Carburetion	Walbro Diaphragm
Ignition System	Transistorized Electronic
Fuel Tank Capacity / fl. oz. (cc)	11.8 (350)
Muffler System	Sound Reduction System
Anti-Vibration	Rear Handle
Clutch System	Heavy-Duty Centrifugal
Rear Handle	Fixed Position
Front Handle	2 Position / Single Post with Guard
Throttle	Squeeze Type Safety Trigger
Blades / inches (mm)	40" (1016mm), Single Sided
Dry Weight / lbs. (kg)	13.0 (5.9)

Optional Accessories:

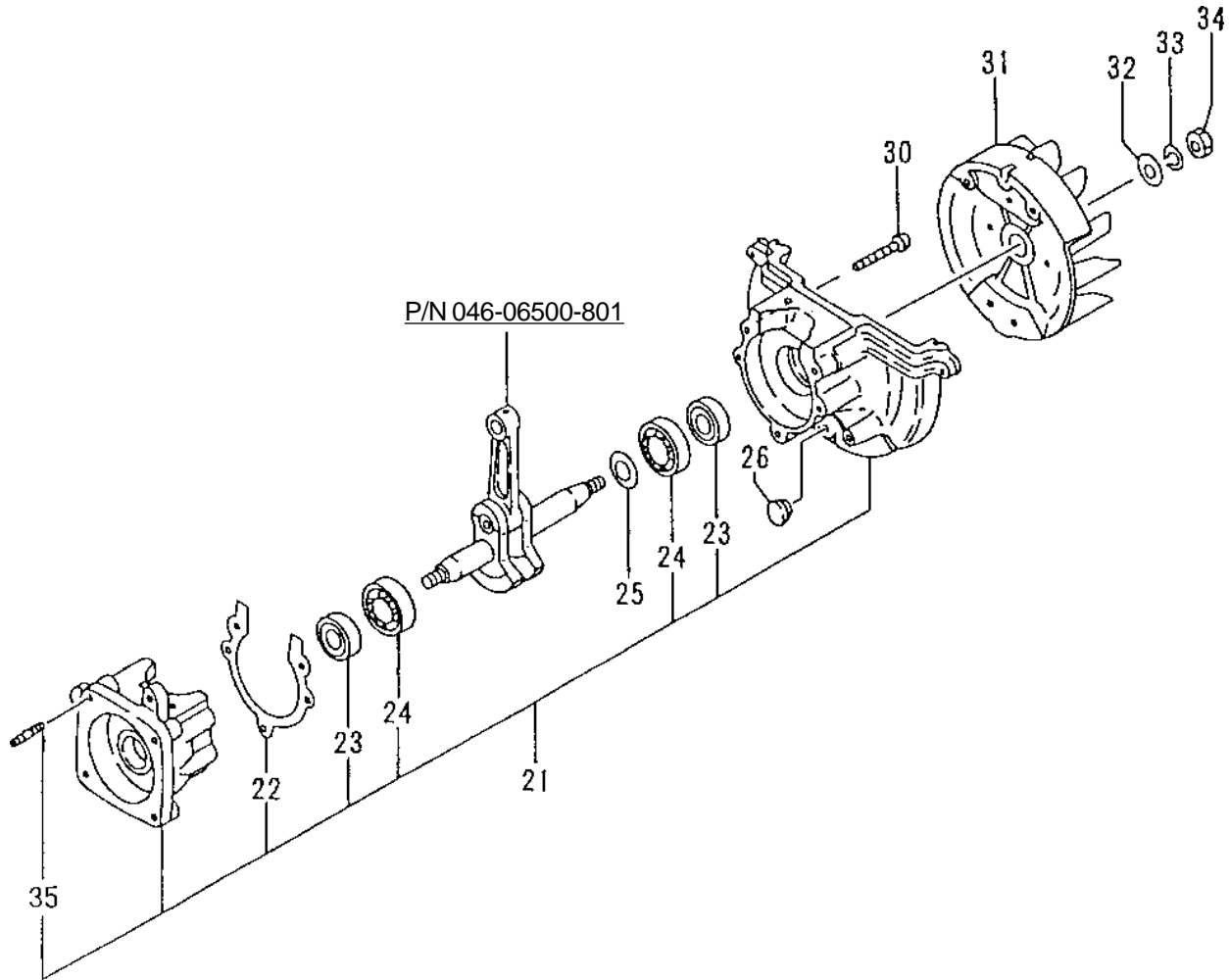
ORDER #	DESCRIPTION
Varies	Perfect Mix™ 2-Cycle Engine Oil

All data and specifications are subject to change without notice
For more information, contact:

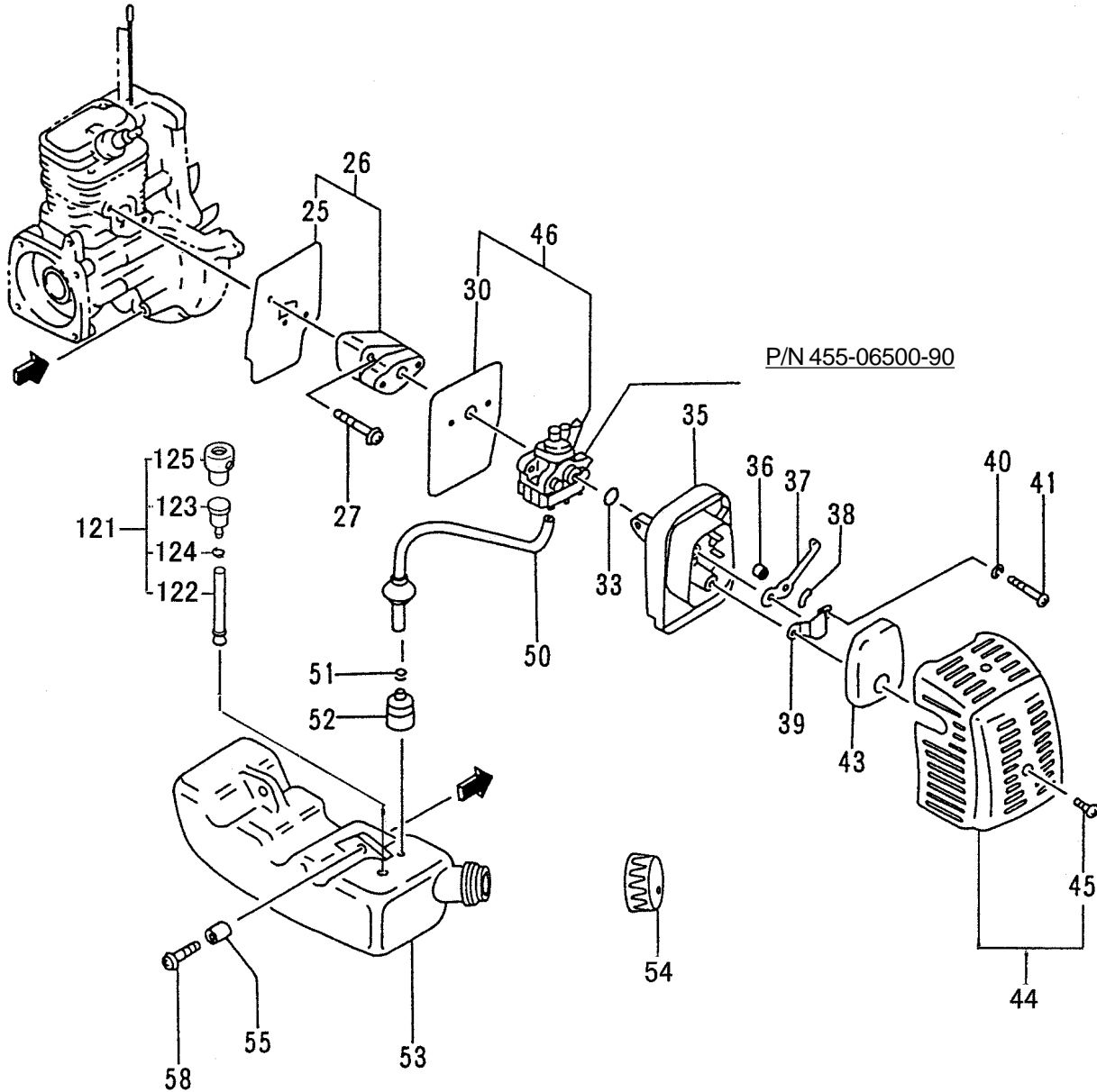
ENGINE / CYLINDER, PISTON, CRANKSHAFT • FIGURE 1



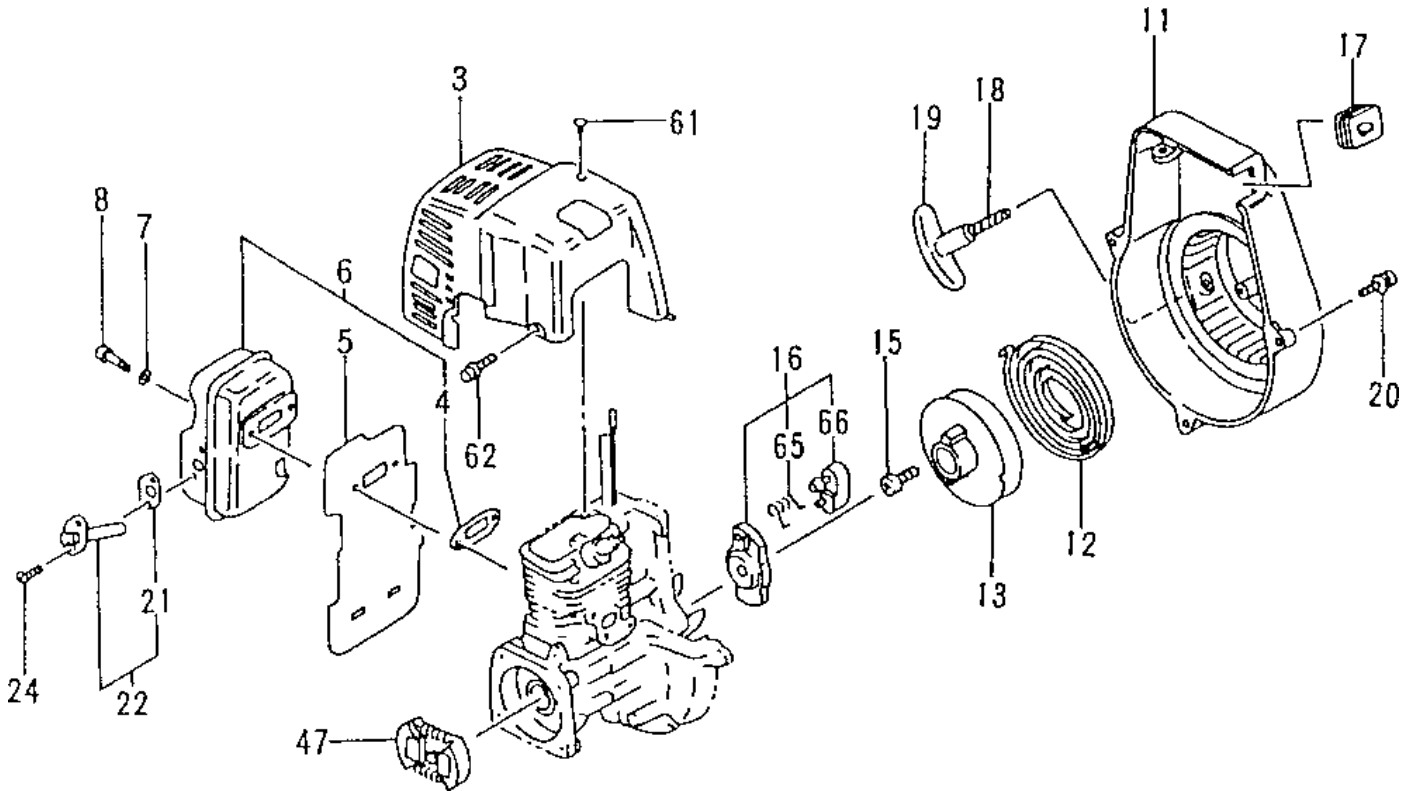
ITEM	PART NUMBER	DESCRIPTION	QTY	COMMENTS
1	157-06500-91	CAP, SPARK PLUG ASS'Y	1	
2	018-11660-21	PLUG, SPARK	1	
3	001-06600-90	SET, CYLINDER	1	
4	994-16050-201	SCREW, 5X20/WS	2	
7	017-06500-20	GASKET, CYLINDER	1	
8	041-01601-200	RING, PISTON	2	
9	030-06600-90	SET, PISTON	1	
10	037-01601-200	PIN, PISTON	1	
11	039-01620-200	CIRCLIP, PISTON PIN	2	
12	046-06500-801	CRANKSHAFT	1	
13	999-62081-225	BEARING, NEEDLE, F-810	1	
27	153-21533-90	SET, COIL, IGNITION	1	
28	994-16040-226	SCREW, WS, 4X22	2	
36	250-06500-200	TUBE, INSULATOR	1	
37	178-06500-80	CORD, STOP COMPLETE	1	
40	274-0700D-80	CORD, 130MM	1	



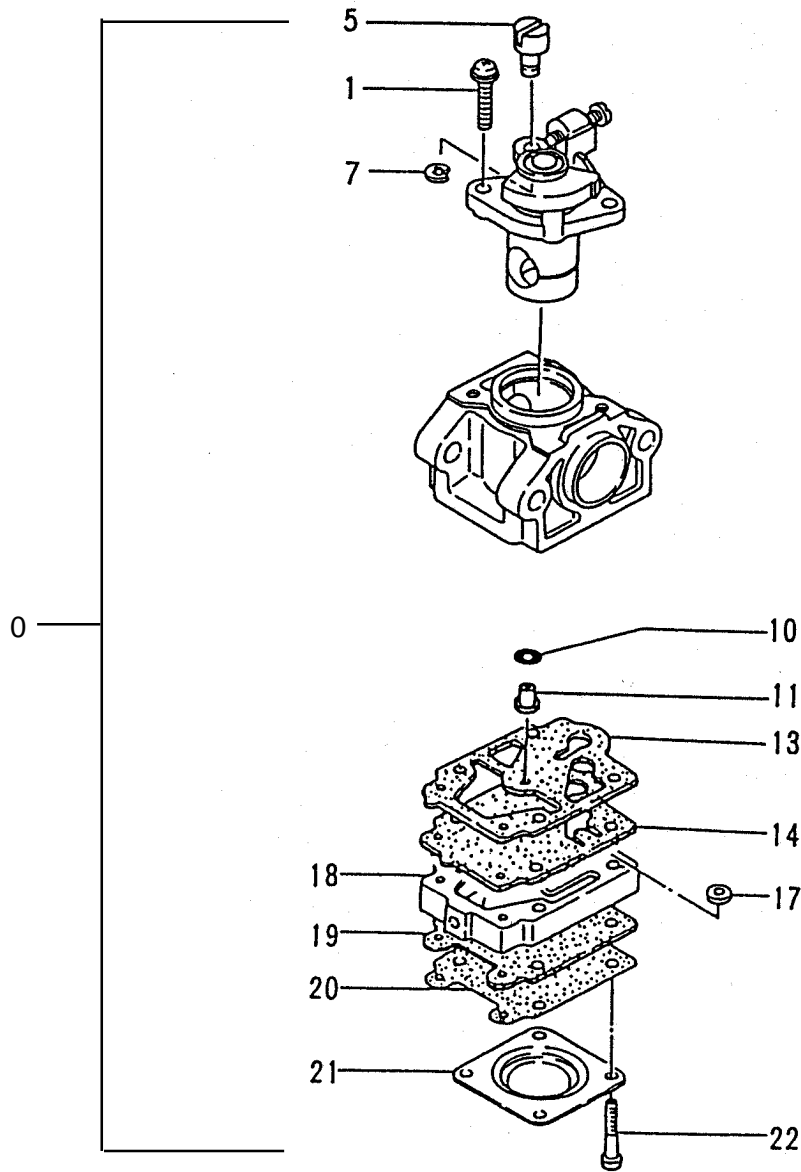
ITEM	PART NUMBER	DESCRIPTION	QTY	COMMENTS
21	072-06500-90	CRANKCASE ASS'Y	1	Includes bearings, seals & gasket
22	090-06500-200	GASKET, CRANKCASE	1	
23	999-66122-269	SEAL, OIL, #12227	2	Shims are "as needed" to obtain correct c/s side clearance
24	999-61600-100	BEARING, BALL, #6001	2	
25	330-00200-210	SHIM, 12.2X19X.10	V	
25	330-00200-220	SHIM, 12.2X19X.15	V	
25	330-00200-230	SHIM, 12.2X19X.20	V	
25	330-00200-240	SHIM, 12.2X19X.30	V	
26	599-00601-200	CUSHION	1	
30	994-14050-301	SCREW, 5X30/S	3	
31	155-21523-80	ROTOR, MAGNETO	1	
32	992-01080-011	WASHER, 8	1	
33	992-10080-012	WASHER, S, 8	1	
34	991-01080-011	NUT, 8	1	
35	100-02100-200	BOLT, STUD, 6X22	2	



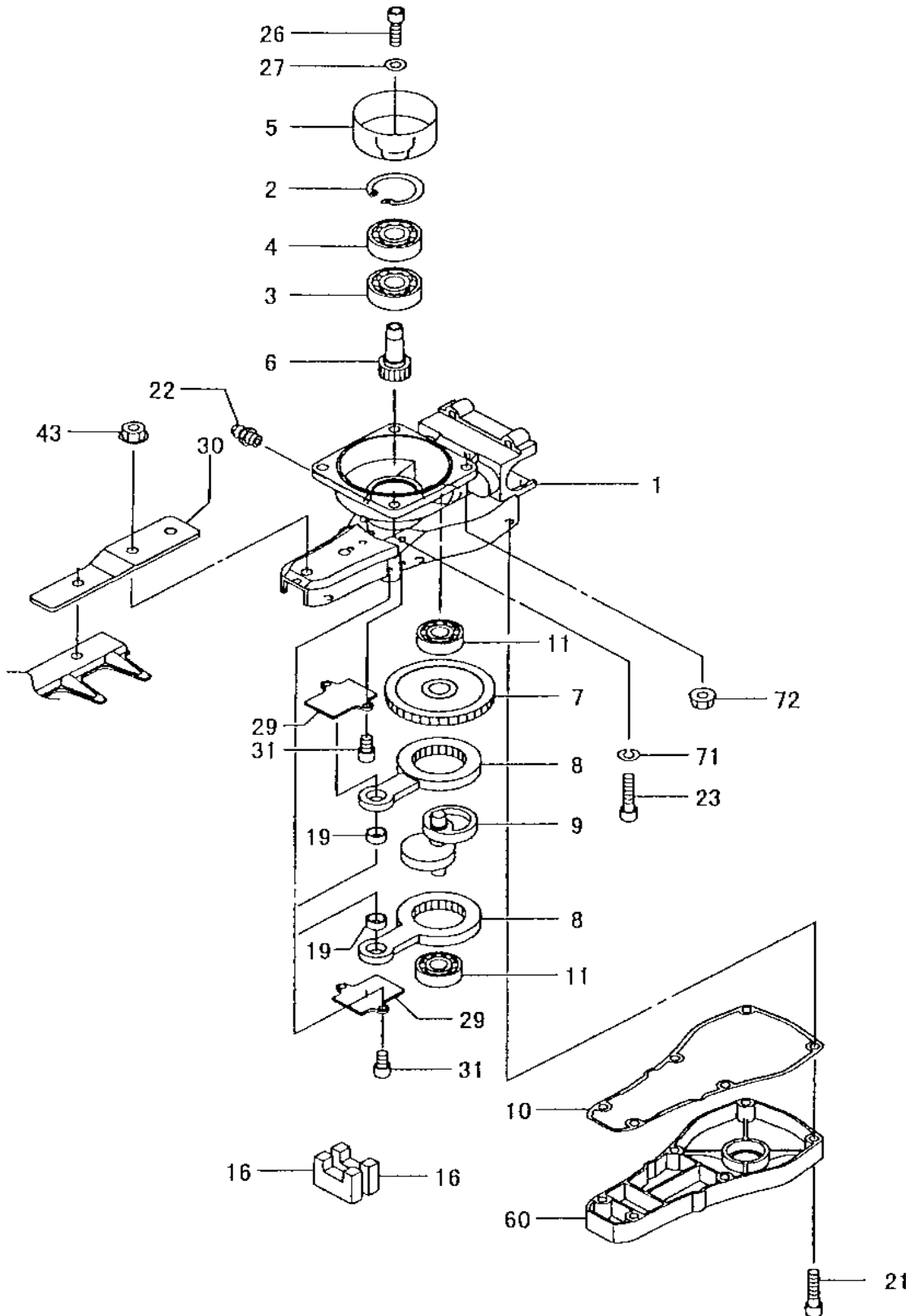
ITEM	PART NUMBER	DESCRIPTION	QTY	COMMENTS
25	403-06500-200	GASKET,INTAKE	1	
26	404-06500-90	MAINFOLD,INTAKE	1	
27	994-16050-252	SCREW,5X25WS	2	
30	402-06500-200	GASKET,CARBURETOR	1	
33	999-67015-000	O-RING,P15	1	
35	423-06500-80	BODY,CLEANER	1	
36	470-06500-200	COLLAR	2	
37	528-0650T-20	LEVER,CHOKE	1	
38	992-04080-030	WASHER,8	1	
39	476-01700-200	BOARD,BLOW OVER CHECK	1	
40	992-10050-012	WASHER,S,5	2	
41	990-11050-602	SCREW,5X60	2	
43	446-06500-20	ELEMENT,CLEANER	1	
44	452-06600-90	COVER,CLEANER	1	
45	380-0637C-200	BOLT,CLEANER COVER	1	
46	455-06500-90	CARBURETOR,SET	1	
50	223-06500-90	PIPE,FUEL,ASS'Y	1	
51	680-00731-201	CLIP 6.3	1	
52	675-04042-80	FILTER,FUEL	1	
53	591-06601-21	TANK,FUEL	1	
54	595-0656B-90	CAP,GAS BLACK,NON VENT	1	
55	659-00801-200	COLLAR	2	
58	994-63050-185	BOLT,HEX 5X18PS	2	
121	564-06601-90	VENT,AIR ASSY	1	
122	565-06601-20	PIPE,AIR VENT	1	
123	646-3252L-90	AIR VENT VALVE ASSY	1	
124	680-00206-200	CLIP,5.5	1	
125	561-00070-20	COVER,AIR VENT	1	



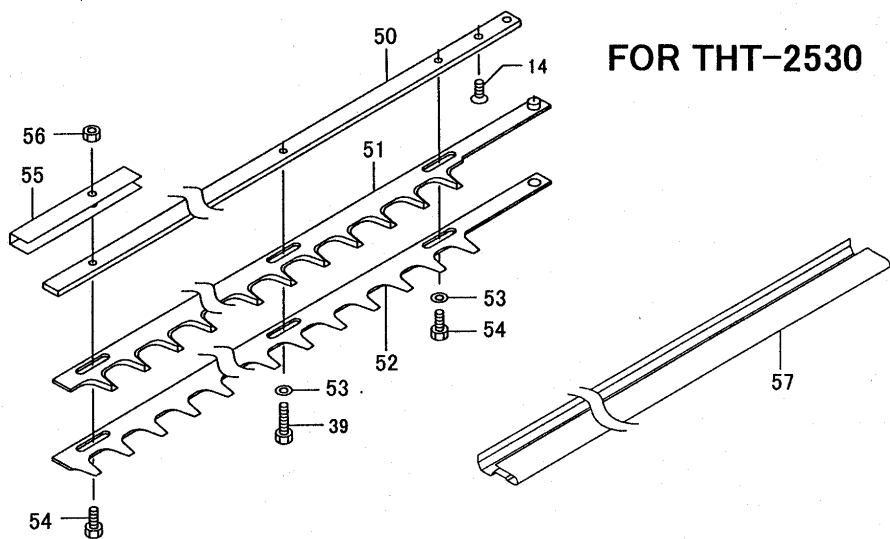
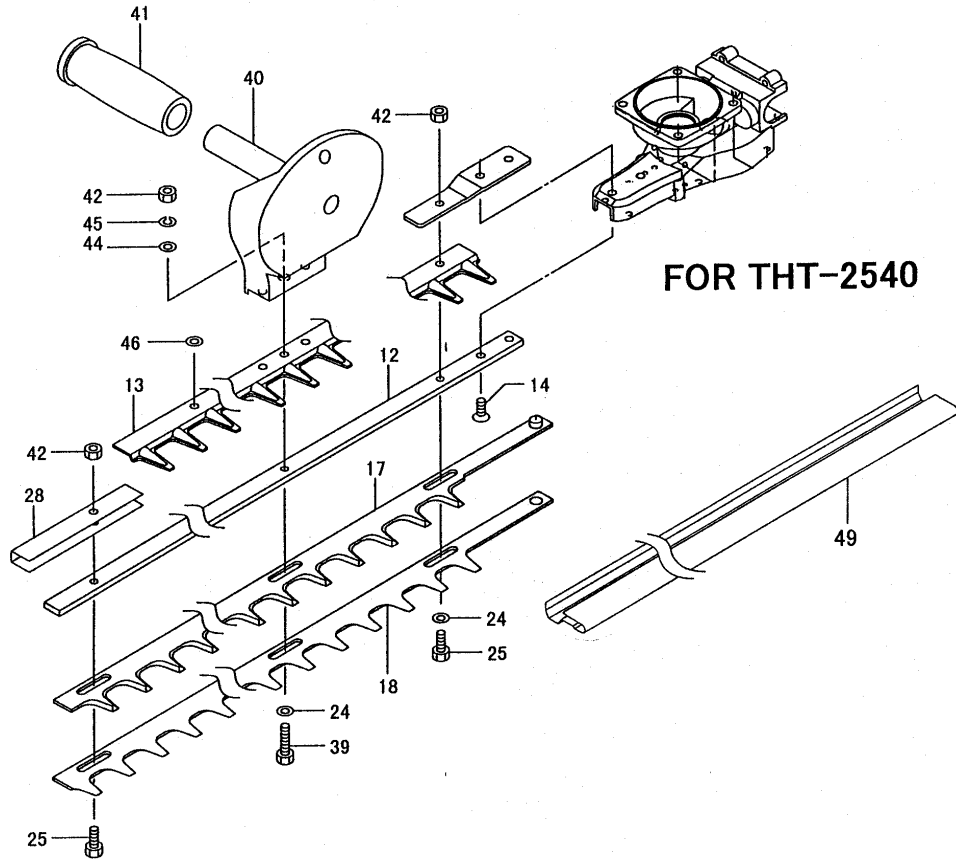
ITEM	PART NUMBER	DESCRIPTION	QTY	COMMENTS
03	738-06600-20	PROTECTOR,MUFFLER	1	
04	737-06500-200	GASKET,MUFFLER	1	
05	133-06500-200	SHIELD,HEAT	1	
06	704-06500-90	SET,MUFFLER	1	
07	992-01050-011	WASHER,5	2	
08	990-51050-503	BOLT,HEX,5X50	2	
11	112-06500-80	CASE,FAN	1	
12	780-06097-200	SPRING,RECOIL	1	
13	774-06097-200	PULLEY,STARTER	1	
15	839-02010-20	SCREW,SET	1	
16	798-06500-900	PULLEY,STARTER,ASS'Y	1	
17	203-0604A-202	GROMMET	1	
18	783-06097-200	ROPE,STARTER	1	
19	785-06410-200	HANDLE,STARTER	1	
20	994-15040-162	SCREW,PS,4X16	3	
21	751-06500-200	GASKET, TAIL PIPE	1	
22	721-06611-90	SET,TAIL PIPE	1	
23	994-34040-081	SCREW,4X8/S	2	
47	277-0634F-900	CLUTCH,ASS'Y	1	
61	990-72045-164	SCREW,TAPPING,4.5X16	1	
62	994-25040-128	BOLT,PS,4X12	2	
65	790-06097-200	SPRING,STARTER PAWL	1	
66	788-06500-20	PAWL,STARTER	1	



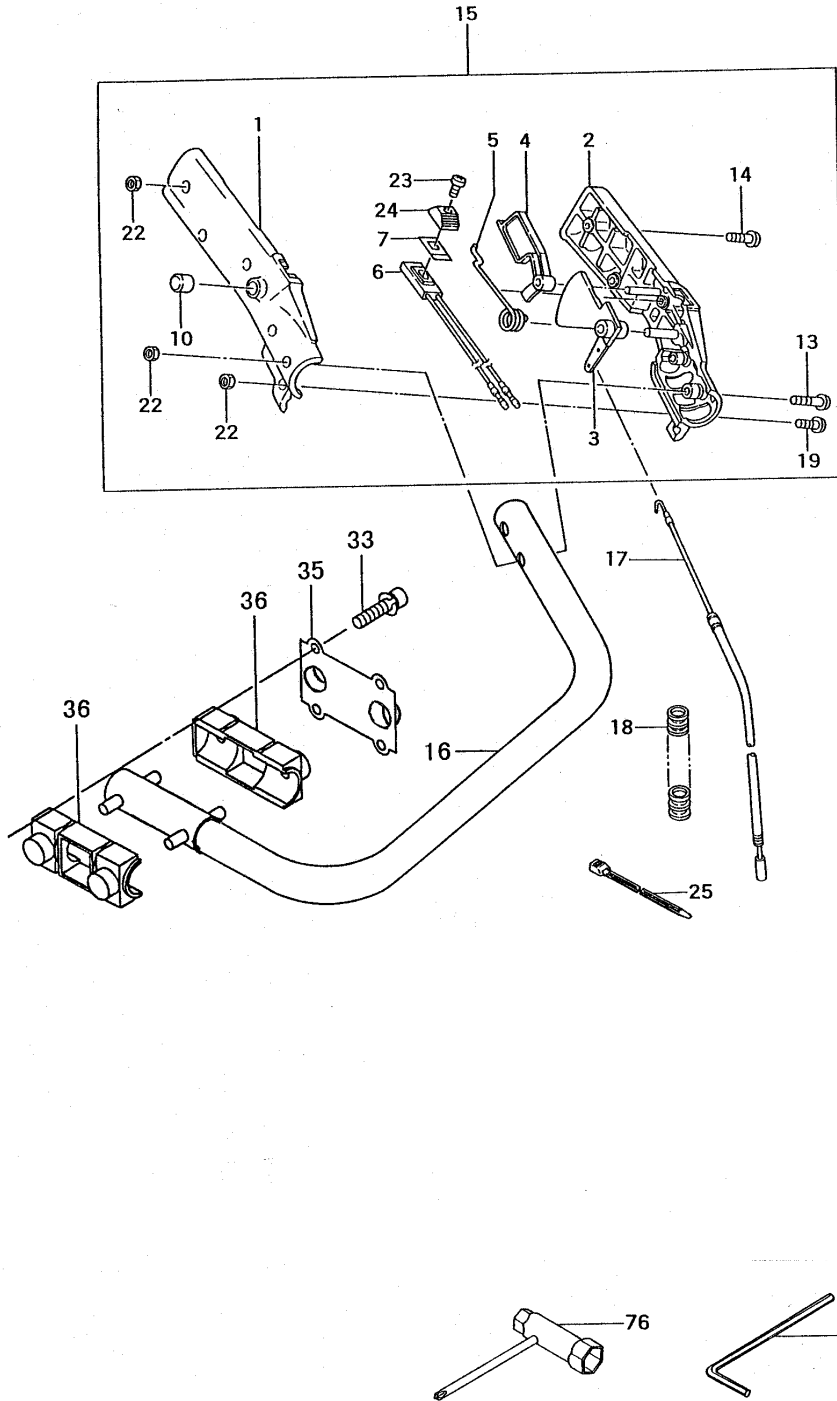
ITEM	PART NUMBER	DESCRIPTION	QTY	COMMENTS
0	455-06500-90	CARBURETOR	1	*Contained in Carb Repair Kit
01	548-25140-200	SCREW, THROTTLE SET	2	P/N 650-25140-900
05	539-25120-200	SWIVEL	1	(not available individually)
07	489-25100-200	RING, STOP	1	
10	550-25100-200	O-RING	1	
11	599-2000W-35	JET, MAIN, #35	1	
13	~	*GASKET, PUMP	1	
14	~	*DIAPHRAGM, PUMP	1	
17	~	*SCREEN, INLET	1	
18	575-25182-80	BODY, PUMP	1	
19	~	*GASKET, DIAPHRAGM	1	
20	~	*DIAPHRAGM, METERING	1	
21	476-25004-200	COVER, DIAPHRAGM	1	
22	548-25101-200	SCREW, SET	4	



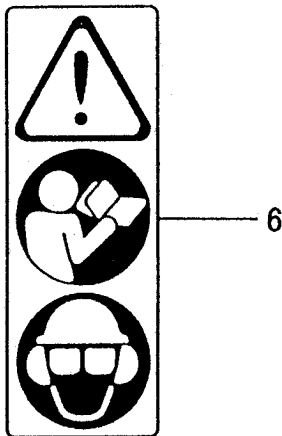
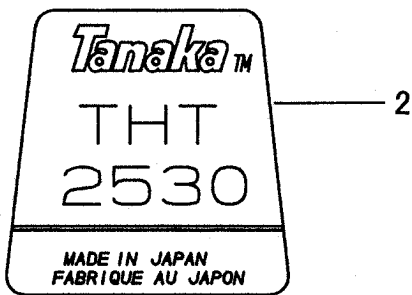
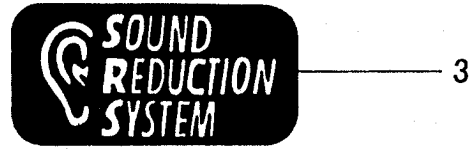
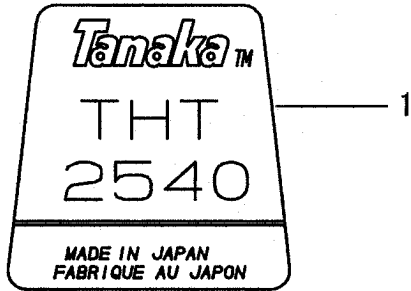
ITEM	PART NUMBER	DESCRIPTION	QTY	COMMENTS
01	300-33185-20	CASE, GEAR"A"	1	
02	993-51026-002	RING,STOP,IN,C-26	1	
03	999-61600-000	BEARING,BALL,#6000	1	
04	999-61600-002	BEARING,BALL,#6000Z	1	
05	288-33185-80	HOUSING,CLUTCH	1	
06	306-33185-20	GEAR 1	1	
07	307-33185-20	GEAR 2	1	
08	101-33185-80	ROD,CAM	2	
09	100-33185-20	SHAFT,CAM	1	
10	303-33185-20	GASKET,GEAR CASE	1	
11	999-61608-000	BEARING,BALL,#608	2	
16	085-33185-20	SEAL,GREASE A	2	
19	247-33185-20	COLLAR	2	
21	994-61050-254	BOLT,HEX HOLE,5X25S	6	
22	300-32250-801	NIPPLE,GREASE	1	
23	990-51060-183	BOLT,HEX.HOLE,6X18	2	
26	990-53060-153	BOLT,HEX,6X15	1	
27	992-00060-011	WASHER,SMALL,6	1	
29	070-33185-20	PLATE,FIXING	2	
30	462-33185-20	PLATE,SUPPORT	1	
31	990-51040-083	BOLT,HEX.HOLE 4X8	4	
43	994-40060-011	NUT,SPRING 6	2	
60	301-33185-20	CASE,GEAR B	1	
71	992-10060-012	WASHER,S,6	2	
72	994-40060-011	NUT,SPRING 6	2	



REF	PART NUMBER	DESCRIPTION	QTY	COMMENTS
12	122-33185-20	GUIDE,CUTTER 40"	1	
13	136-33185-20	PLATE,PROTECTION	1	
14	990-52060-253	SCREW,HEX HOLE 6X25	2	
17	121-33185-20	CUTTER B 40"	1	
18	120-33185-20	CUTTER, A 40"	1	
24	129-33202-201	WASHER,7	6	
25	124-33202-21	BOLT, CUTTER FIXING, A	6	
28	128-33202-200	HOLDER,BLADE	1	
39	125-33202-205	BOLT,CUTTER FIXING B	1	
40	051-33185-80	HANDLE B	1	
41	515-37224-20	GRIP,HANDLE L	1	
42	123-33202-200	NUT,CUTTER FIXING	7	
44	992-01060-011	WASHER,6	1	
45	992-10060-012	WASHER,S,6	1	
46	992-01060-011	WASHER,6	3	
49	138-33185-21	COVER,CUTTER 40"	1	
50	122-33187-20	GUIDE,CUTTER 30"	1	
51	121-33187-20	CUTTER B 30"	1	
52	120-33187-20	CUTTER A 30"	1	
53	129-33202-201	WASHER,7	4	
54	124-33202-21	BOLT, CUTTER FIXING, A	4	
55	128-37904-20	HOLDER,BLADE	1	
56	123-3317A-20	NUT,CUTTER FIXING	5	
57	138-3318B-21	COVER, CUTTER 30"	1	



ITEM	PART NUMBER	DESCRIPTION	QTY	COMMENTS
01	053-33231-22	GRIP,HANDLE"A"	1	
02	054-33231-23	GRIP,HANDLE"B"	1	
03	230-33210-201	LEVER,THROTTLE	1	
04	231-33210-200	LEVER,SAFETY	1	
05	061-32600-201	SPRING,THROTTLE LEVER	1	
06	170-32465-80	BUTTON, STOP SWITCH	1	
07	925-32530-20	DECAL,STOP BUTTON	1	
10	765-32120-20	CAP	1	
13	994-16040-301	SCREW 4 X 30 / WS	2	
14	994-16040-251	SCREW,4X25/WS	1	
15	055-33185-90	ASSY,HANDLE GRIP	1	
16	050-33185-80	HANDLE A	1	
17	885-0650J-80	WIRE,THROTTLE	1	
18	164-10015-00	TUBE,PROTECTION	1	
19	994-16040-161	SCREW 4 X 16 /WS	3	
22	991-78040-010	NUT,LOCK 4	6	
23	990-11030-101	SCREW,3X10	1	
24	258-11650-20	BUTTON,STOP	1	
25	198-33130-200	CLAMP,CORD	1	
33	994-61050-124	BOLT,HEX,5X12S	4	
35	058-33185-20	BRACKET,HANDLE	1	
36	060-33185-20	RUBBER,HANDLE DAMPER	2	
75	813-20000-200	WRENCH,HEX,4	1	
76	036-29331-501	SPANNER,COMBI	1	



ITEM	PART NUMBER	DESCRIPTION	QTY	COMMENTS
01	906-06612-20	PLATE,NAME THT-2540	1	
02	906-06613-20	PLATE,NAME THT-2530	1	
03	911-06500-200	DECAL,SRS	1	
04	950-37900-200	DECAL,PRO-FORCE A	1	
05	951-37900-200	DECAL,PRO-FORCE	1	
06	920-32466-20	DECAL,CAUTION	1	

Date: June 2001

Model & Serial: THT-2100/THT-2120/THT-2510/THT-2520/THT-2540/HTD-2522PF/HTD-2526PF/HTD-2530PF/HTS-2530PF.

All units produced after serial number W100101.

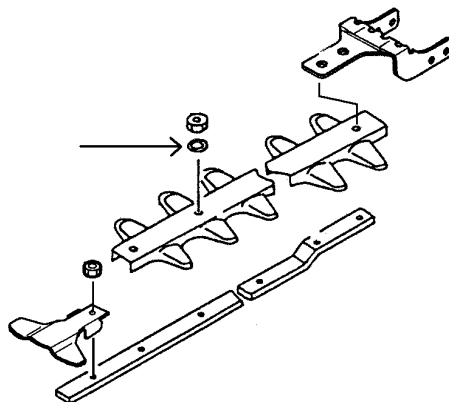
Reason: When these units are fitted with the aluminum safety shield, some experience loosening of the blade jam nuts. A flat washer has been added between the nut and the aluminum shield to help prevent the nut from becoming loose.

Models THT-2100, 2120, 2510 and HTD-2526PF, 2522PF require 3 washers.

Models THT-2520, 2540 and HTS-2530PF and HTD-2530PF require 2 washers

Part Number Changes:

Old Part #	New Part #	Description	Remarks
992-01060-011		Washer	



Tanaka is marketed exclusively by:



Date: January, 2002

Model & Serial: All THT, HTD, HTS, TPH hedgetrimmer models.

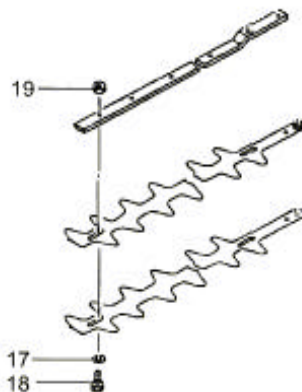
All units after serial number Y004401

Reason: All future production of hedgetrimmer models will utilize a blade-retaining nut that is of the locking variety. These nuts are oblong on one side to prevent loosening during use, but can be removed and re-installed without losing their locking ability.

When adjusting blade-fastening hardware, thread the bolt (18) through the blades and guide bar from the bottom, to a point where the flat washer (17), is still able to rotate, (usually to seat, and then backed off between 1/4 and 1/2 revolution). Then install the lock nuts on the topside, tightening them while holding the bolt in place. Tighten all nuts, and then re-check for adjustment prior to operation. A lubricating agent, such as WD-40 should also be used to prevent sap build-up and premature wear.

Part Number Changes:

Old Part #	New Part #	Description	Remarks
123-33202-200	123-3317A-20	Lock Nut	Reference #19



Tanaka is marketed exclusively by:

